

# FOLDABLE POWER HARROWS







### HIGH STRENGTH STEEL

All Alpego machines use the best steel to reduce weight and increase work performance, this maximizing both consumption and operating costs. This has a great impact on environmental sustainability as well.

**WE HAVE CREATED A COMPLETE SYSTEM BECAUSE HAVING THE BEST STEEL IS NOT ENOUGH.**

The sticker "ALPEGO INSIDE" on all machines, certifies the high quality of Alpego's products. An union of first quality materials, eco-sustainable coating process and certified welding that guarantees an exceptional durability and quality over the years.



### ECO PAINTING

A unique system of its kind throughout Europe, which allows each component to be painted with the most suitable process and in full respect for the environment. The paints used, in fact, are water-based and powder-based and do not produce emissions of VOC (Volatile Organic Compounds).



### CERTIFIED WELDING

For more than twenty years the exceptional durability of Alpego structural components has been guaranteed by the effectiveness of welds made by highly qualified personnel in accordance with standardized processes certified by the National Welding Institute.



# A complete range for all needs

Three types of mechanics for a complete range up to 8 meters wide

Power harrows have been for many years the most flexible professional machines for soil cultivation thanks to their ability to adjust to all types of soils and situations. Moreover, their possibility to be combined with a seed drill represents a further advantageous solution even in the seed-drilling process.

**DJ**

HP 120-220  
Page 14

**DJ AUTO**

HP 130-240  
Page 15

**SFERA**



**DTEK**

HP 150-350  
Page 18

**DTEK PLUS**

HP 150-350  
Page 19



**DP**

HP 140-270  
Page 16

**DP AUTO**

HP 140-300  
Page 17

**SFERA**



**DMAX**

HP 180-500  
Page 20

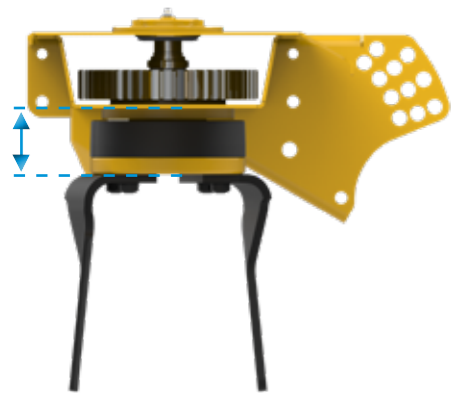


Unique and powerful

Simple and robust

## SFERA

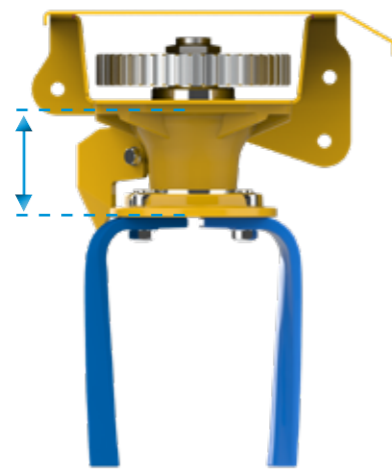
The ball-bearing mechanics is mounted on a wide range of power harrows, up to 6 meter wide and it offers excellent structural performances. The machines equipped with this kind of solution are ideal for the preparation of the seedbed.



**SFERA**  
Clearance **75 mm**

## TWIN FORCE TEK

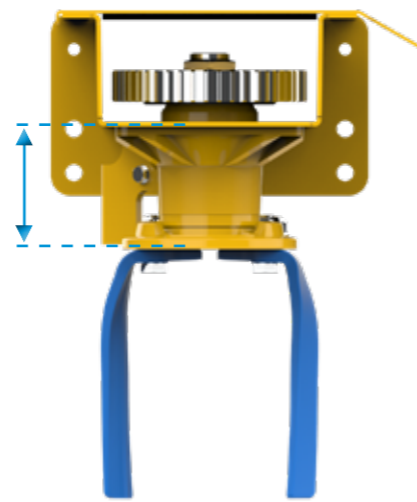
The patented TWIN FORCE TEK, used in the professional models is ideal for deep soil cultivation and combined machines. The machines equipped with this type of mechanics are suited to be used with high-power tractors.



**TWIN FORCE "TEK"**  
Clearance **130 mm**

## TWIN FORCE MAX

The patented solution TWIN FORCE MAX, used in the top-of-the-range professional models further improves the structural features and yields the utmost reliability in the use of very high power tractors of up to 500 HP.



**TWIN FORCE "MAX"**  
Clearance **165 mm**

The power harrows with ball-bearing mechanics manufactured by Alpego guarantee high performances on models of limited weight for tractors up to 300 HP.

The features of these mechanics are:

- 1) Shaft with a surface treatment
- 2) Dual inline ball-bearings
- 3) Upper ball-bearing is on axis with the gearbed
- 4) Upper grease nipple to insure lubrication
- 5) The rotor support is screwed on
- 6) Stone guard
- 7) Half-rock guards mounted on a plate (optional)
- 8) Labyrinth dust protection

The entire structure is screwed on from the top, which makes future maintenance procedures easier.



**PRESENT ON THE FOLLOWING MODELS:**



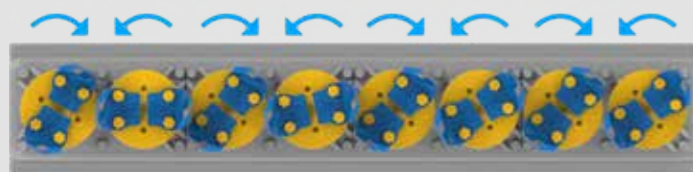
**DJ**



**DP**

### ROTOR TIMING SEQUENCE:

All blade supports mounted on our power harrows follow a precise sequence, avoiding vibrations on the transmission components and consequently reducing the absorbed power.



| 25 cm | 25 cm | 25 cm | 25 cm | 25 cm | 25 cm | 25 cm |

### TYPES OF TINES:

The right tine for every need. The experience of many years in the field has led Alpego to develop a wide range of tines suited for the most varied uses. The special shape and angle of inclination guarantee an excellent crumbling with a decreased amount of power absorption.

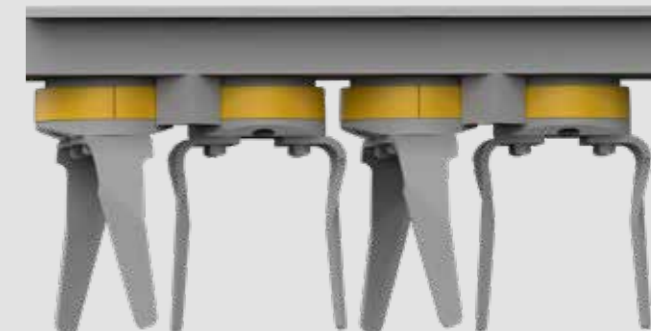


### AVAILABLE TINES:

**STANDARD LAMINATED TINE**



**QUICK-REPLACEMENT LAMINATED TINE**



### HALF-ROCK GUARDS

The half-rock guards not only protect the rotors from wear and tear, they also improve the crumbling degree of the soil and the work quality.



# TWIN FORCE

## TEK

Versatile and high-performance

# TWIN FORCE

## MAX

Incredibly resistant



Alpego professional machines are equipped with the new TWIN FORCE TEK patented mechanics: each pair of rotors is mounted on a new one-piece support for even greater ruggedness. They are also equipped with Timken tapered roller bearings and reinforced hardened gears, guaranteeing the transmission's reliability and compatibility with tractors of up to 350 HP. This solution thus enables outstanding performance in terms of:

- Constant greater working depth
- Higher forward speed
- Optimal use of the power available
- Maximum reliability and minimal maintenance

### PRESENT ON THE FOLLOWING MODELS:



DTEK - DTEK PLUS



The top-of-the range machines are equipped with the patented TWIN FORCE MAX mechanics. This solution enhances the features of the "TEK", thanks to a better lubrication, a sturdier structure and an increased ground clearance. The power harrow thus equipped makes it possible to reach exceptional performances in terms of:

- Increased working depth
- Higher working capacity
- Use under extremely difficult conditions
- Highest reliability
- Minimum maintenance
- Designed and developed to exploit tractors of very high power

### PRESENT ON THE FOLLOWING MODELS:



DMAX



### AVAILABLE TINES:

STANDARD LAMINATED TINE "TEK"



3-HOLE FORGED TINE "TEK"



3-HOLE WEARPROOF FORGED TINE "TEK"



QUICK-REPLACEMENT 3-HOLE FORGED TINE PLUS "TEK"



### AVAILABLE TINES:

3-HOLE FORGED TINE "MAX"



3-HOLE WEARPROOF FORGED TINE "MAX"



QUICK-REPLACEMENT 3-HOLE FORGED TINE PLUS "MAX"



# Alpego gearboxes

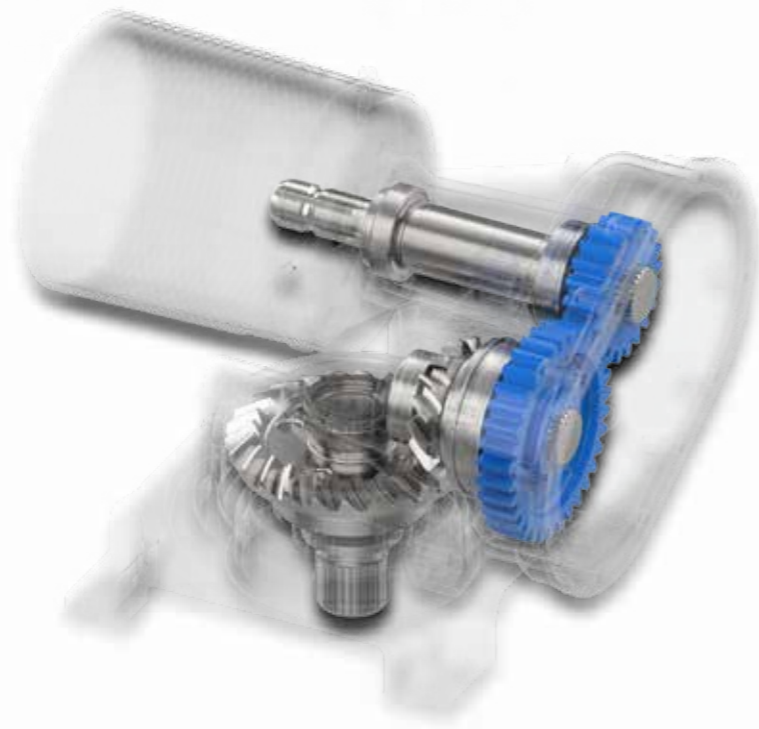
Entirely designed  
in Alpego

## GEAR SWITCHING

By switching or replacing the gear pair it is possible to obtain several different rpm of the rotors. This makes it possible to optimize the work of the power harrow depending on the type of soil, on the forward speed and on the degree of required crumbling.

## CS GEARBOX

1000 rpm gearbox designed and developed according to Alpego specs. The switching or the replacement of the gear pair makes it possible to change the number of revolutions of the rotors with a wide range up to 500 rpm without risking to damage the gearbox itself. The bevel gear with helical teeth guarantees the utmost efficiency and sturdiness of the system up to 500 HP. The large surface of the components guarantees a remarkable thermal dissipation.



## SELF-LUBRICATION

Because the outer casings of the large-dimension bevel gears are enveloping them, these are able to perform a very important self-lubrication, while cooling all internal components at the same time. Thanks to this solution the Alpego power harrows do not need any further cooling systems.

## ALPEGO LUBRICANTS

Alpego has always invested in research and development of lubricants with specific characteristics for the use in own machines. Thanks to these features, power harrows benefit from a longer life and optimal functioning of mechanical components.



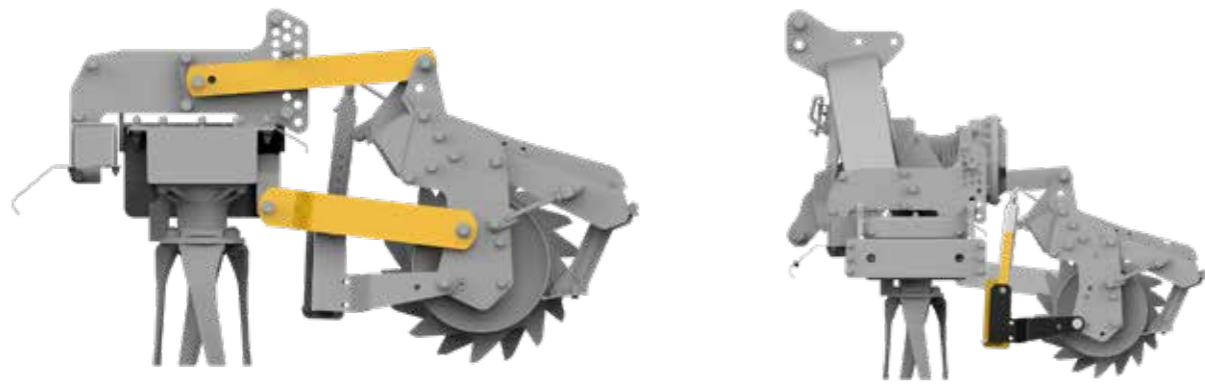
# The advantages of our power harrows

Details that make a difference

## FLOATING REAR ROLLER MOUNTED ON A PARALLELOGRAM

With the PARALLELOGRAM system for the adjustment of the working depth the rear roller maintains a constant angle of inclination, therefore:

- the levelling bar remains always adjusted
- in the combination with a seed-drill, the seed-drilling coulters maintain a constant pressure.



## SET OF QUICK REPLACEMENT OF THE TINES

Simple, safe and fast operation without the need for any tool. A set of the quick replacement tines can be supplied separately, as an alternative to the traditional system, or it can be mounted directly by the manufacturer and it represents a further protection for the tine-supporting plate.



## LEVELLING BAR FIXED TO THE ROLLER

This solution improves the crumbling quality while decreasing the power absorption. When changing the working depth of the power harrow, the levelling bar and the rear roller maintain a constant levelling of the soil. Moreover, at the end of the field it is possible to level the residual soil, thereby avoiding unpleasant accumulations.



## OSCILLATING FRAMES

The 2 folding sections can follow the unevenness of the soil thanks to a floating system (excursion of 20° total upwards or downwards) or be rigid.

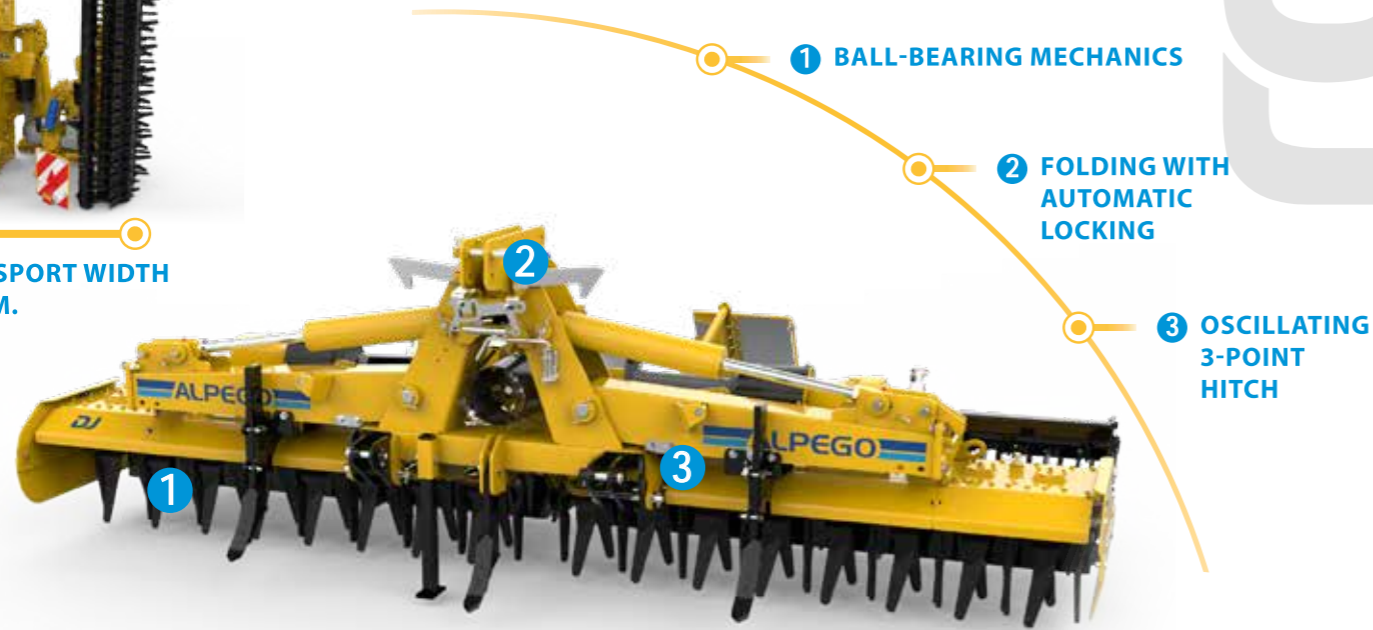


The DJ folding power harrow has a high strength steel structure with excellent structural performance and light weights.

**Foldable power harrow  
for tractors up to 220 HP  
and working width up to 5m**



**TRANSPORT WIDTH  
2,50 M.**



**1 BALL-BEARING MECHANICS**

**2 FOLDING WITH  
AUTOMATIC  
LOCKING**

**3 OSCILLATING  
3-POINT  
HITCH**

	DJ 360	DJ 400	DJ 460	DJ 500
Working width (mm)	3600	4000	4600	5000
Transport width (mm)	2500	2500	2500	2500
Tractor power (HP)	120-220	130-220	140-220	150-220
Working depth (mm)	250	250	250	250
Rotors (n°)	14	16	18	20
Tines (n° rh + n° lh)	14+14	16+16	18+18	20+20
Weight with Packer roller (Kg)	1870	1970	2170	2270
Weight with Cage roller (Kg)	1650	1740	1920	2010
Weight with Spiral roller (Kg)	1690	1780	1950	2070
Weight with Spike roller (Kg)	1650	1740	1940	2020
Weight with Crumb roller (Kg)	-	-	-	2340

N.B.: the weight includes the shear-bolt drive shaft

**1 BALL-BEARING MECHANICS**

The ball-bearing mechanics is used in a wide range of power harrows and it guarantees very good structural performances for tractors of up to 240 HP. Equipped standard with front guards which prevent stones from entering and damaging the rotors. The models equipped with this solution are ideal for the preparation of the seedbed.

**2 FOLDING WITH AUTOMATIC LOCKING**

Automatic hydraulic unlocking during the unfolding of the machine.

**3 OSCILLATING 3-POINT HITCH**

Oscillating hitching unit to the tractor for a better adjustment to the soil even under highly bumpy conditions.



The DJ AUTO folding power harrow has a high strength steel structure which combines light weights with outstanding performance thanks to the lateral automatic cam clutch drive shafts.

**Foldable power harrow  
for tractors up to 240 HP  
and working width up to 5m**

**4 LEVELLING BAR  
MOUNTED  
ON THE ROLLER**

**AUTOMATIC  
CAM CLUTCH  
DRIVE SHAFTS**



	DJ AUTO 400	DJ AUTO 460	DJ AUTO 500
Working width (mm)	4000	4600	5000
Transport width (mm)	2500	2500	2500
Tractor power (HP)	130-240	140-240	150-240
Working depth (mm)	250	250	250
Rotors (n°)	16	18	20
Tines (n° rh + n° lh)	16+16	18+18	20+20
Weight with Packer roller (Kg)	1990	2190	2280
Weight with Cage roller (Kg)	1760	1940	2020
Weight with Spiral roller (Kg)	1800	1970	2080
Weight with Spike roller (Kg)	1760	1960	2030
Weight with Crumb roller (Kg)	-	-	2350

N.B.: the weight includes the automatic cam clutch drive shaft

**4 LEVELLING BAR MOUNTED ON THE ROLLER**

It is mounted on the rear roller, thus improving the levelling and crumbling quality and decreasing the power absorption.

**EQUIPMENT  
DJ STANDARD**

Linkage cat. 2 and 3, oscillating / Gearbox 1000 rpm / Shear-bolt drive shaft / Rear lights supplied standard/ Central track eraser.

**EQUIPMENT  
DJ AUTO**

Linkage cat. 2 and 3, oscillating / Gearbox 1000 rpm / Automatic cam clutch drive shaft / Rear lights supplied standard/ Central track eraser.





**Foldable power harrow  
for tractors up to 270 HP  
and working width up to 6m**

The DP folding power harrow features a reinforced structure that guarantees outstanding performance and load capacities, also ideal for use in combination with seed drills.

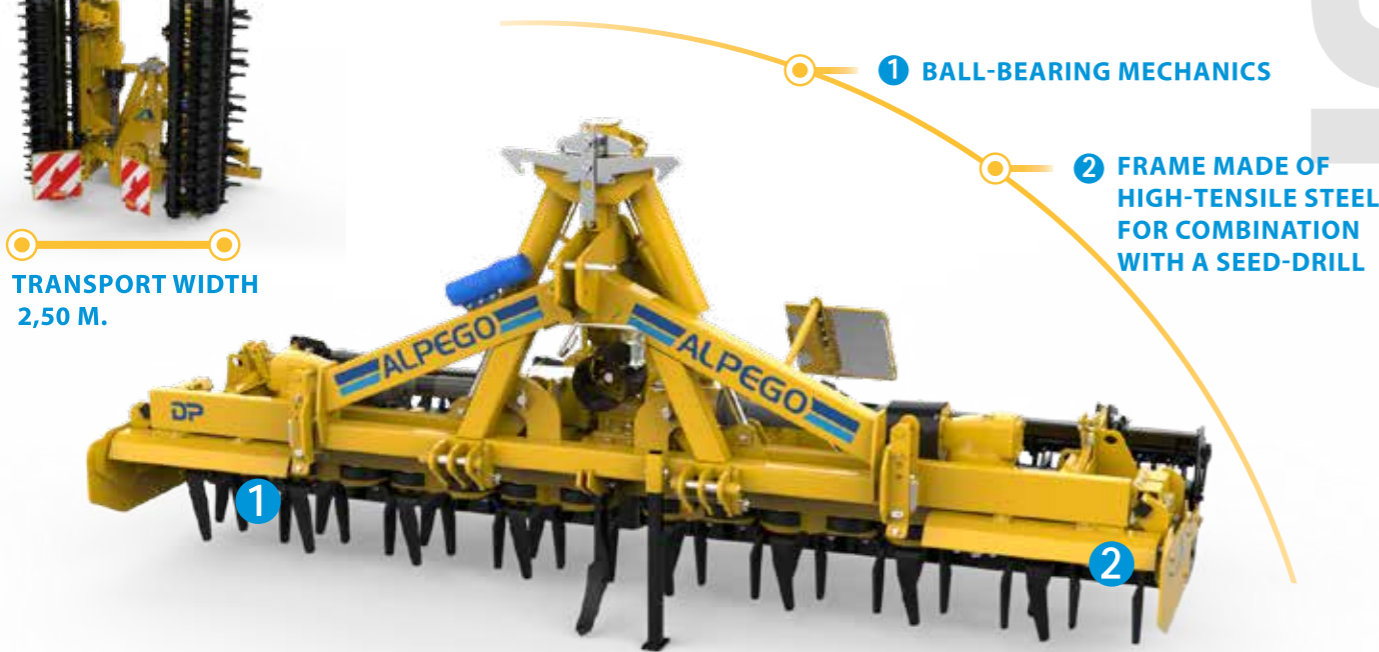


**Foldable power harrow  
for tractors up to 300 HP  
and working width up to 6m**

The DP AUTO folding power harrow offers even higher performance than the standard versions thanks to the larger-sized lateral automatic cam clutch drive shafts.



**TRANSPORT WIDTH  
2,50 M.**



**1 BALL-BEARING MECHANICS**

**2 FRAME MADE OF HIGH-TENSILE STEEL FOR COMBINATION WITH A SEED-DRILL**

	DP 400	DP 500	DP 600
Working width (mm)	4000	5000	6000
Transport width (mm)	2500	2500	2500
Tractor power (HP)	140-270	160-270	170-270
Working depth (mm)	250	250	250
Rotors (n°)	16	20	24
Tines (n° rh + n° lh)	16+16	20+20	24+24
Weight with Packer roller (Kg)	2370	2640	2970
Weight with Cage roller (Kg)	2140	2380	2620
Weight with Spiral roller (Kg)	2180	2440	2690
Weight with Spike roller (Kg)	2140	2390	2650
Weight with Crumb roller (Kg)	-	2710	3040

N.B.: the weight includes the shear-bolt drive shaft

**LEVELLING BAR MOUNTED ON THE ROLLER**

**FLOATING REAR ROLLER MOUNTED ON A PARALLELOGRAM**

**AUTOMATIC CAM CLUTCH DRIVE SHAFTS**



	DP AUTO 400	DP AUTO 500	DP AUTO 600
Working width (mm)	4000	5000	6000
Transport width (mm)	2500	2500	2500
Tractor power (HP)	140-300	160-300	170-300
Working depth (mm)	250	250	250
Rotors (n°)	16	20	24
Tines (n° rh + n° lh)	16+16	20+20	24+24
Weight with Packer roller (Kg)	2430	2710	3030
Weight with Cage roller (Kg)	2200	2450	2680
Weight with Spiral roller (Kg)	2240	2510	2750
Weight with Spike roller (Kg)	2200	2460	2710
Weight with Crumb roller (Kg)	-	2780	3100

N.B.: the weight includes the automatic cam clutch drive shaft

**1 BALL-BEARING MECHANICS**

The ball-bearing mechanics is used in a wide range of power harrows and it guarantees very good structural performances for tractors of up to 300 HP. Equipped standard with front guards which prevent stones from entering and damaging the rotors. The models equipped with this solution are ideal for the preparation of the seedbed.

**2 FRAME MADE OF HIGH-TENSILE STEEL FOR COMBINATION WITH A SEED-DRILL**

The steel structure supports heavy loads.

**3 LEVELLING BAR MOUNTED ON THE ROLLER**

It is mounted on the rear roller, thus improving the levelling and crumbling quality and decreasing the power absorption.

**4 FLOATING REAR ROLLER MOUNTED ON A PARALLELOGRAM**

The rear roller maintains a constant angle of inclination when the working depth is changed.

**EQUIPMENT DP STANDARD**

Linkage cat. 3 and 4 / Gearbox 1000 rpm/ Shear-bolt drive shaft / Rear lights supplied standard / Half-rock guards supplied as standard / Central track eraser.

**EQUIPMENT DP AUTO**

Linkage cat. 3 and 4 / Gearbox 1000 rpm/ Automatic cam clutch drive shaft / Rear lights supplied standard / Half-rock guards supplied as standard / Central track eraser.

# DTEK

Foldable power harrow  
for tractors up to 350 HP  
and working width up to 6m

The DTEK folding power harrow, with high strength steel structure and the exclusive TWIN FORCE TEK mechanics, is particularly suitable for the deepest tilling and for use in combination with seed drills.

# DTEK PLUS

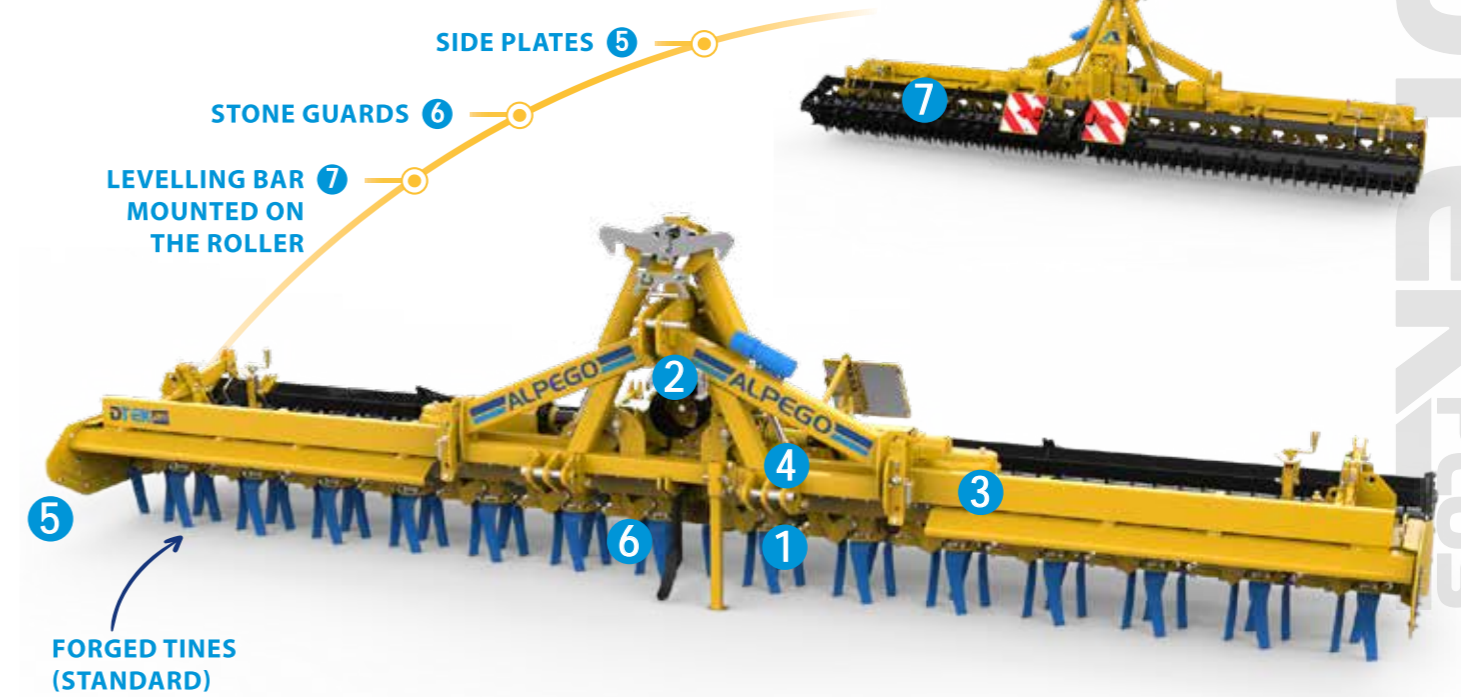
Foldable power harrow  
for tractors up to 350 HP  
and working width up to 7m

The DTEK PLUS folding power harrow is even higher-performing than the DTEK versions thanks to a more complete standard outfit which makes it even more professional. In addition, the PLUS version is available in more working widths than the DTEK model.



	DTEK 400	DTEK 500	DTEK 600
Working width (mm)	4032	4972	5912
Transport width (mm)	2450	2450	2450
Tractor power (HP)	150-350	160-350	175-350
Working depth (mm)	280	280	280
Rotors (n°)	16	20	24
Tines (n° rh + n° lh)	16+16	20+20	24+24
Weight with Packer roller (Kg)	2705	3045	3440
Weight with Cage roller (Kg)	2485	2765	3050
Weight with Spiral roller (Kg)	2505	2815	3100
Weight with Spike roller (Kg)	2525	2835	3100

N.B.: the weight includes the shear-bolt drive shaft



	DTEK PLUS 400	DTEK PLUS 450	DTEK PLUS 500	DTEK PLUS 600	DTEK PLUS 700
Working width (mm)	4032	4502	4972	5912	6852
Transport width (mm)	2450	2450	2450	2450	2450
Tractor power (HP)	150-350	155-350	160-350	175-350	190-350
Working depth (mm)	280	280	280	280	280
Rotors (n°)	16	18	20	24	28
Tines (n° rh + n° lh)	16+16	18+18	20+20	24+24	28+28
Weight with Packer roller (Kg)	2735	2950	3080	3485	3790
Weight with Cage roller (Kg)	2515	2700	2800	3095	3370
Weight with Spiral roller (Kg)	2535	2735	2850	3145	3460
Weight with Spike roller (Kg)	2555	2755	2870	3145	3470

N.B.: the weight includes the automatic cam clutch drive shaft

**1 TWIN FORCE TEK MECHANICS**  
The patented TWIN FORCE TEK mechanics, used in the professional models, is ideal for the deepest cultivation and in combined machines. The machines equipped with this solution are suited to be hitched to high power tractors.

**2 REINFORCED CENTRAL FRAME**  
Central frame with reinforced structure, designed for seeding combinations, thanks to larger cylinders.

**3 FLOATING LATERAL FRAMES**  
The 2 folding sections can follow the unevenness of the soil thanks to a floating system (excursion of 20° total upwards or downwards) or be rigid.

**4 LINKAGE CAT. 3 AND 4**  
In order to make our power harrows compatible with high-power tractors, we have developed linkage cat. 3 and 4.

**5 SIDE PLATES**  
Updated shaped side plates with wearproof skids. The new design fosters the best flow of the soil toward the rear rollers.

**6 STONE GUARDS**  
In order to prevent stones from penetrating between the rotors, we have developed new more effective moulded and removable protections.

**7 LEVELLING BAR MOUNTED ON THE ROLLER**  
It is mounted on the rear roller, thus improving the levelling and crumbling quality and decreasing the power absorption.

**EQUIPMENT DTEK**  
Linkage cat. 3 and 4 / Gearbox 1000 rpm / Shear-bolt drive shaft / Laminated tines / Rear lights supplied standard with wiring/ Central track eraser.

**EQUIPMENT DTEK PLUS**  
Linkage cat. 3 and 4 / Gearbox 1000 rpm / Automatic cam clutch drive shaft / Forged tines / Rear lights supplied standard with wiring/ Central track eraser.







# DMAX

Foldable power harrow  
for tractors up to 500 HP  
and working width up to 8m

The DMAX folding power harrow has a particularly rugged structure that guarantees outstanding performance and load capacities. The only harrow in its category with the exclusive patented TWIN FORCE MAX mechanics with tapered roller bearings, it is ideal for the toughest jobs, with the maximum reliability assured.

## AI-GUARD



6



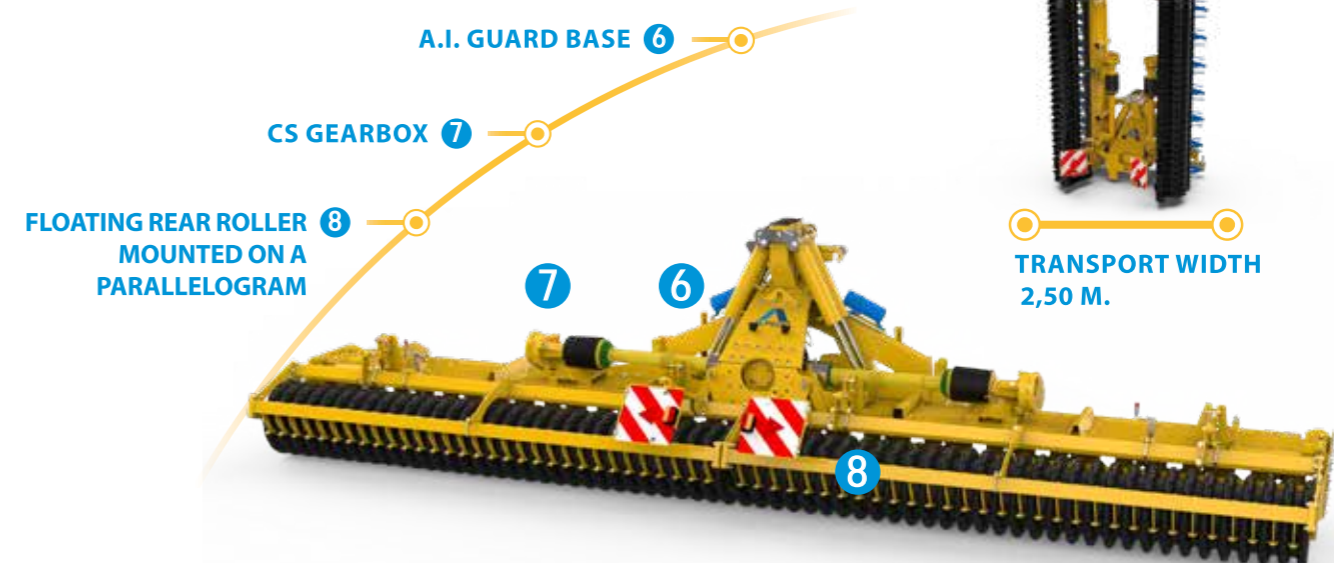
1 TWIN FORCE MAX MECHANICS

2 FLOATING LATERAL FRAMES

3 LATERAL AUTOMATIC CAM CLUTCH DRIVE SHAFTS

4 LEVELLING BAR MOUNTED ON THE ROLLER

5 COMBINATION WITH SEED-DRILL UP TO 8 METERS



FORGED TINES (STANDARD)

	DMAX 450	DMAX 500	DMAX 600	DMAX 700	DMAX 800
Working width (mm)	4562	5032	5972	6914	8030
Transport width (mm)	2500	2500	2500	2500	2500
Tractor power (HP)	180-440	180-440	200-440	250-500	250-500
Working depth (mm)	300	300	300	300	300
Rotors (n°)	18	20	24	28	33
Tines (n° rh + n° lh)	18+18	20+20	24+24	28+28	33+33
Weight with Packer roller (Kg)	3415	3600	4050	5000	5614
Weight with Cage roller (Kg)	3165	3320	3660	4340	4890
Weight with Spiral roller (Kg)	3280	3370	3710	-	-
Weight with Spike roller (Kg)	3220	3390	3750	-	-
Weight with Trapeze roller (Kg)	3730	3860	4550	5300	-
Weight with Rubber roller (Kg)	3530	3710	4180	-	5684

N.B.: the weight includes the automatic cam clutch drive shaft

**1 TWIN FORCE MAX MECHANICS**  
The patented solution TWIN FORCE MAX, used in the top-of-the-range professional models, further improves the structural features and yields the utmost reliability in the use of very high power tractors of up to 500 HP.

**2 FLOATING LATERAL FRAMES**  
The 2 folding sections can follow the unevenness of the soil thanks to a floating system (excursion of 20° total upwards or downwards) or be rigid.

**3 LATERAL AUTOMATIC CAM CLUTCH DRIVE SHAFTS**  
Walterscheid lateral automatic cam clutch drive shafts with an automatic clutch supplied standard. In the 700 and 800 models they are suitably larger.

**4 LEVELLING BAR MOUNTED ON THE ROLLER**  
It is mounted on the rear roller, thus improving the levelling and crumbling quality and decreasing the power absorption.

**5 COMBINATION WITH SEED-DRILL UP TO 8 METERS**  
The high load capacity of the frame permits the DMAX power harrows to be combined with seed-drills and other types of implements.

**6 A.I. GUARD BASE**  
The AI-GUARD, belonging to the AI package, foresees the monitoring of several parameters of the machine. From the monitor it is possible to check the temperature of the mechanical transmissions and the number of revolutions of said transmissions. Visual/acoustic alarms warn when the critical levels are exceeded. Moreover, the system gives advices concerning programmed maintenance operations.

**7 CS GEARBOX**  
1000 rpm gearbox developed according to Alpego specs. The switching or the replacement of the gear pair makes it possible to change the number of revolutions of the rotors from 200 to 500 rpm. The bevel gear with helical teeth guarantees the utmost efficiency of the system up to 500 HP. The large surface of the components guarantees a remarkable thermal dissipation.

**8 FLOATING REAR ROLLER MOUNTED ON A PARALLELOGRAM**  
The rear roller maintains a constant angle of inclination when the working depth is changed.  
**EQUIPMENT**  
Linkage cat. 3, 4, 4USA, 4N USA and cat. 3 and 4, oscillating / Central gearbox 1000 rpm / Dual-speed lateral gearboxes 1000 rpm / Automatic cam clutch drive shaft / Rear lights supplied standard / Forged tines / Central track eraser.



## AI-GUARD



### ALPEGO INTELLIGENCE GUARD ISOBUS\*

With the A.I. GUARD ISOBUS package, DTEK and DMAX power harrows can be equipped with ISOBUS electronics. The operator can view a large number of harrow parameters and control directly from the tractor monitor.

\*A UT monitor is required for use with NON ISOBUS tractors.



1 TEMPERATURE + RPM - LEFT

2 TEMPERATURE + RPM - CENTRE

3 TEMPERATURE + RPM - RIGHT

4 POWER HARROW CLOSURE \*

5 POWER HARROW OPENING \*

\* Exclusive functions of the A.I. MOVE PACKAGE

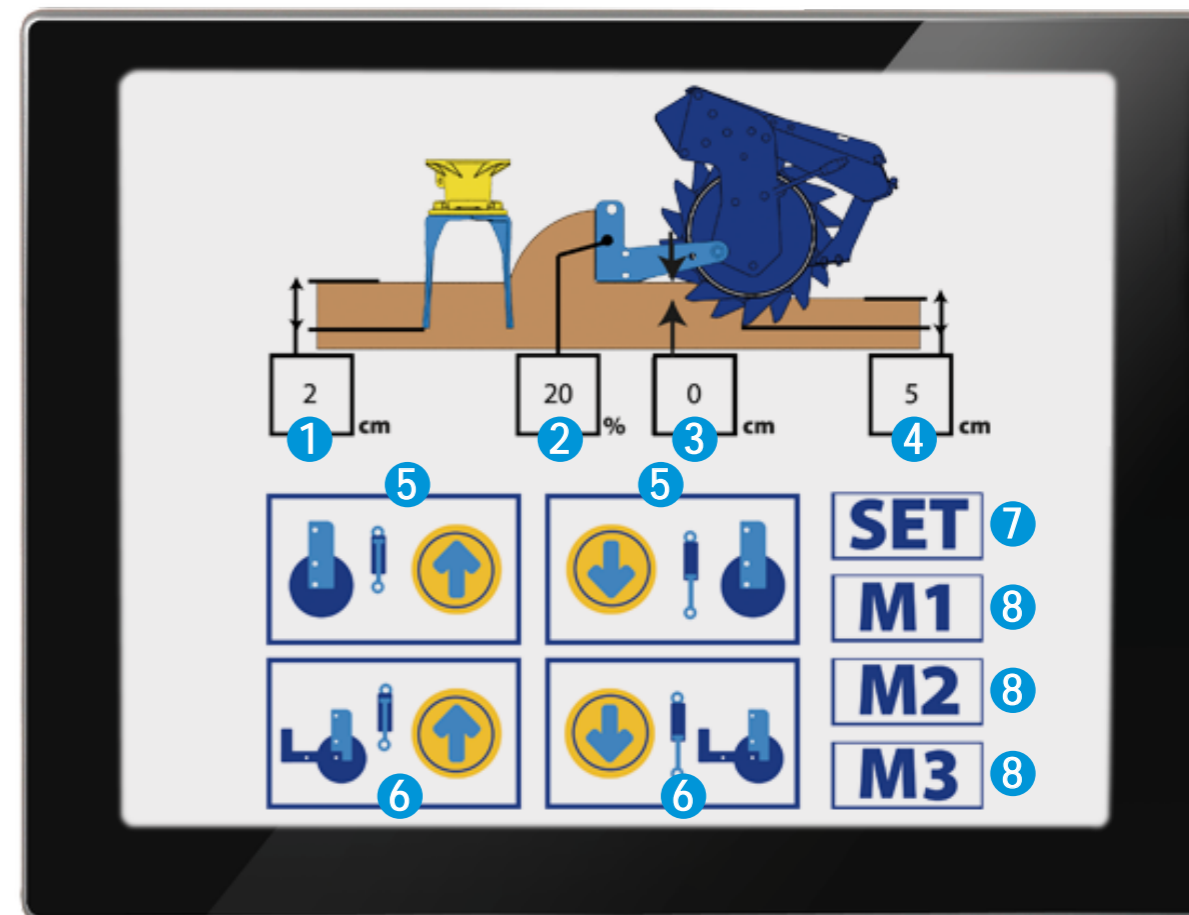
## AI-MOVE



### ALPEGO INTELLIGENCE MOVE\*

The A.I. MOVE package adds state-of-the-art control of hydraulic accessories to power harrows equipped with A.I. GUARD ISOBUS. In addition to the PRO functions, it includes the control of functions and accessories directly from the tractor monitor. What's more, A.I. MOVE reduces the number of hydraulic connections to the tractor (just 1 double-acting distributor with continuous flow).

\*A UT monitor is required for use with NON ISOBUS tractors.



1 WORKING DEPTH (CM)

2 BAR HEIGHT (%)

3 ROLLER WORKING DEPTH (CM)

4 ROLLER RIDGES (CM)

5 DEPTH ADJUSTMENT

6 LEVELLING BAR HEIGHT ADJUSTMENT

7 SET


8 MEMORIES

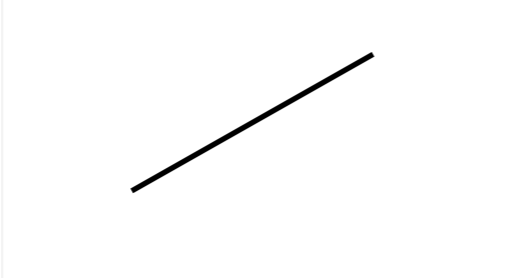
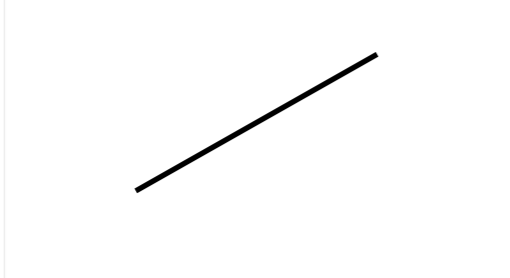


# Which seed-drill for which power harrow?

You only need to choose according to your needs

Power harrow  
Rotodent DMAX

	
<p>The Fertidril ASPRO front hopper with a single metering unit is made entirely of stainless steel and is the versatile solution for seeding or fertilizing the soil.</p>	<p>The Fertidril ASMAX multifunction front hopper with a dual metering unit is completely made of painted steel and can be used with seed and fertilizer at the same time.</p>





# Power harrow or combined machine?

From power harrow to combined machine and vice-versa, in just a moment

**ASPRO**

POWER HARROW DP



POWER HARROW DTEK / DTEK PLUS



POWER HARROW DMAX



ASPRO FRONT HOPPER



RUBBER BAR



FRONT HOPPER + POWER HARROW + RUBBER BAR



**ASMAX**

POWER HARROW DP



POWER HARROW DTEK / DTEK PLUS



POWER HARROW DMAX



ASMAX FRONT HOPPER



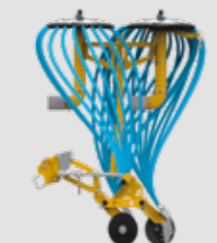
RUBBER BAR



FRONT HOPPER + POWER HARROW + RUBBER BAR



RUBBER BAR BITUBE



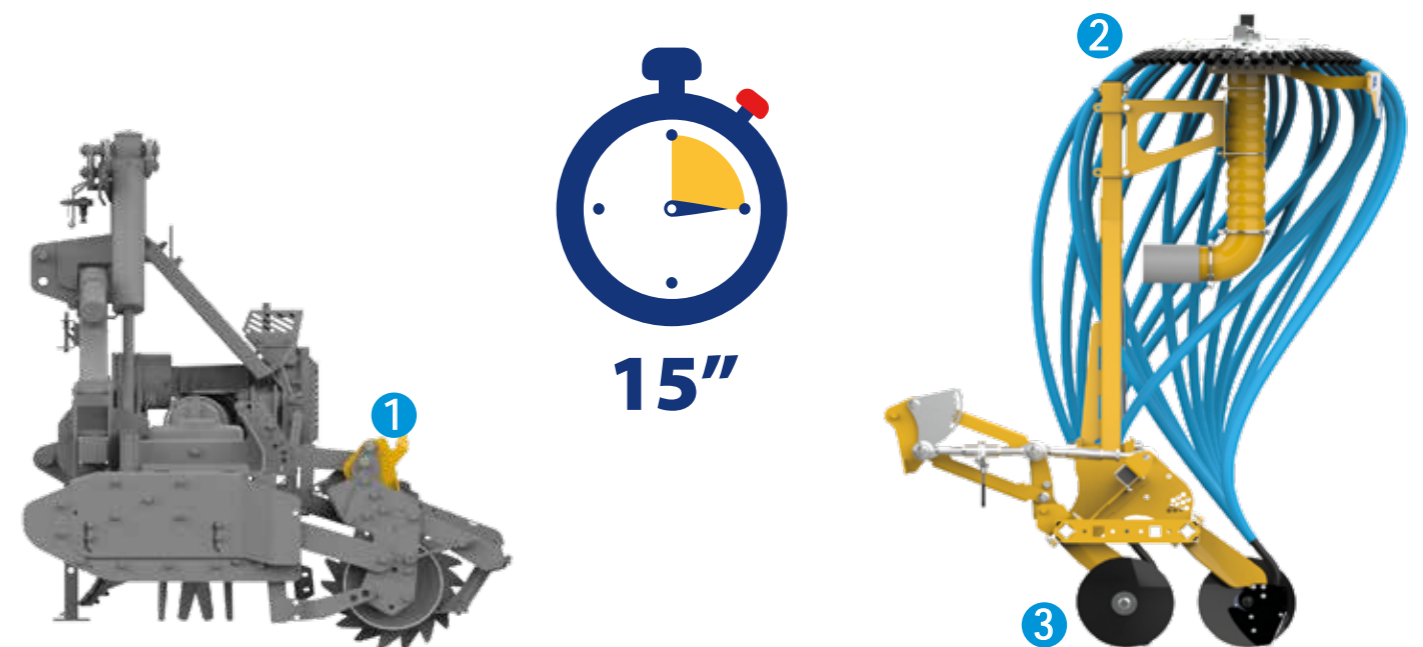
FRONT HOPPER + POWER HARROW + RUBBER BAR BITUBE



## QUICK RELEASE OF THE SEEDING BAR AND DISTRIBUTION HEAD

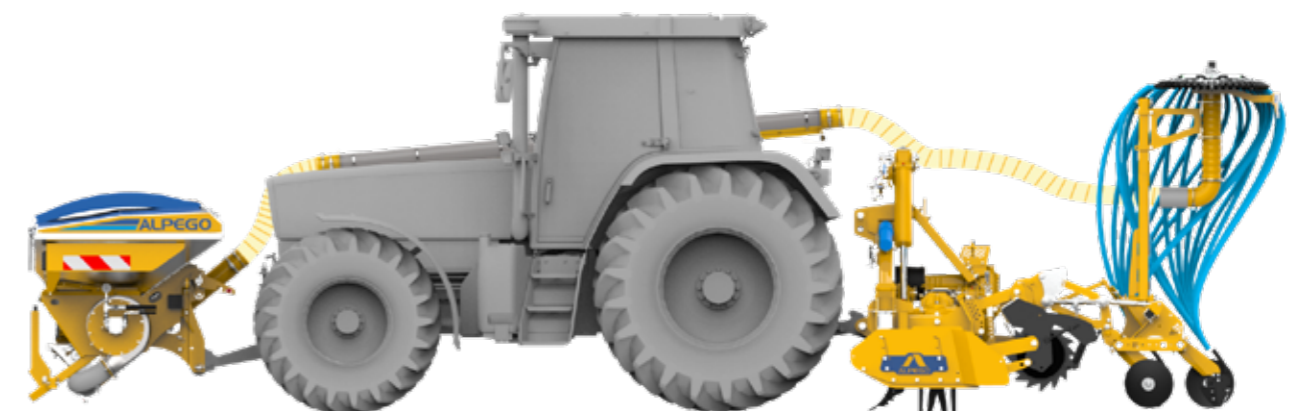
The seeding bar is quickly and safely removed in just 15 minutes thanks to the quick release parallelogram system on the roller (1).

The centralised distribution head (2), attached to the seeding bar (3) in both rigid and foldable versions, makes it possible to safely speed up coupling and release operations (foldable versions are equipped with parking feet per standard).



## PERFECT COMPATIBILITY

Interchangeability of the RUBBER seeding bar (with centralised distribution head) between power harrow DP, DTEK and DMAX and disc harrow Maratona MK. For the foldable versions, the reduced transport width is always 2.5 m.





# Choosing the options

The correct option for any situation



TRACK ERASER KIT



HALF-ROCK GUARDS SET



HYDRAULIC LINKAGE FOR SEED-DRILL



HYDRAULIC DEPTH ADJUSTMENT



LEVELLING BAR ADJUSTMENT



KIT REAR PTO



SET OF QUICK-RELEASE TINE

**A.I. GUARD**  
**A.I. MOVE**

A.I. GUARD / A.I. MOVE PACKAGE



COOLING KIT

Accessories and rollers	DJ	DP	DTEK	DMAX
Track eraser kit	Optional	Optional	Optional	Optional
Half-rock guards set	Optional	Standard	Optional	Optional
Hydraulic linkage for seed-drill	Optional	Optional	Optional	Optional
Hydraulic depth adjustment	Optional	Optional	Optional	Optional
Levelling bar adjustment	Optional	Optional	Optional	Optional
Kit rear Pto.	Optional	Optional	Optional	Optional
Set of quick-release tine for the ball-bearing range	Optional	Optional	Optional	Optional
Set of forged quick-release tines	Optional	Optional	Optional	Optional
A.I. GUARD / A.I. MOVE package	Optional	Optional	Optional	Optional
Cooling Kit	Optional	Optional	Optional	Optional
Packer roller	Optional	Optional	Optional	Optional
Cage roller	Optional	Optional	Optional	Optional
Spiral roller	Optional	Optional	Optional	Optional
Spike roller	Optional	Optional	Optional	Optional
Trapeze roller	Optional	Optional	Optional	Optional
Rubber roller	Optional	Optional	Optional	Optional
Crumb roller	Optional	Optional	Optional	Optional

# The choice of the roller

For a perfect soil tillage



PACKER ROLLER

The PACKER roller is the versatile roller for excellence. It offers a distribution of weights on the entire surface. The packer roller can work both alone and combined, its versatility allows it to work on light, clayey, silty, dry and hard soils. (ø 480 mm, 520 mm and 570 mm)



CAGE ROLLER

CAGE roller is the ideal roller for working dry, medium density soils. The roller is equipped with a rod structure that guarantees optimal reconsolidation. (ø 420 mm and 500 mm)



SPIRAL ROLLER

The SPIRAL roller creates a soft and uniform seeding surface and is suitable for medium and light soils. (ø 450 mm and 520 mm)



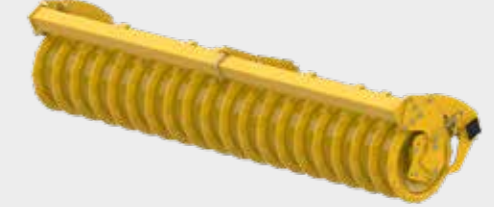
SPIKE ROLLER

The SPIKE roller is very versatile, it works well even when the soil is wet and compacted. (ø 480 mm and 560 mm)



RUBBER ROLLER

Roller consisting of rubber ridges with plastic ring spacers, available with row spacing of 12.5 and 15 cm. Intended in particular for wet, clay and sticky soils, to ensure rotation at all times. Not recommended for stony soils (ø 500 mm and 590 mm)



TRAPEZE ROLLER

The notched cast-iron roller ridges are spaced 12.5 cm or 15 cm depending on row spacing. Designed for the combination can also work alone. It adapts perfectly to all types of dry or wet soil, even in the presence of stones or crop residues. (ø 505 mm)



CRUMB ROLLER

The CRUMB roller is suited for working in brittle soils, even when they are heavy and damp and it guarantees a good crumbling and compactation before seeding. (ø 480 and 560 mm)



**FOLDABLE POWER HARROWS**

120 - 500 HP



**RIGID POWER HARROWS**

35 - 320 HP



**SUBSOILERS**

75 - 600 HP



**ROTARY TILLERS  
AND STONE BURIERS**

65 - 430 HP



**SEED-DRILLS**

85 - 320 HP



**FRONT HOPPERS**

120 - 500 HP



**CULTIVATORS**

120 - 300 HP



**FLAIL MOWERS**

40-220 HP

