

FLAIL MOWERS





HIGH STRENGTH STEEL

All Alpego machines use **the best Swedish steel to reduce weight and enhance working performance**, minimising both fuel use and operating costs. This also has a huge impact on environmental sustainability.

WE DEVELOPED A COMPLETE SYSTEM, BECAUSE HAVING THE BEST STEEL ISN'T ENOUGH FOR US.



ECO PAINTING

In Europe, this unique system allows every component to be **painted according to the most suitable process, while protecting the environment**. The system uses water-based and powder paints with **no production of VOC** (volatile organic compounds) emissions.



CERTIFIED WELDING

The exceptional durability of Alpego structural components has been guaranteed for over twenty years by the effectiveness of the **welds, that meet the standardised processes certified by the National Welding Institute**.

The "ALPEGO INSIDE" label, seen on all our machines, certifies the **exceptional quality** of Alpego products. A perfect combination of **top quality raw materials**, a **sustainable painting process** and **certified welding**; all to **guarantee exceptional lifetime and lasting quality**.

A complete range for every need

Three types of flail mower for a complete range up to 3.2 m.

The Alpego range of flail mowers meets the greatest professional needs of farmers and outsourcers looking for lasting, high-performance machines with unique technical solutions on the market.

The range includes: TRISAR multi-purpose flail mowers, TRILAT lateral flail mowers, TRISTOC shredders.

TRISAR

TR27

Multi-purpose flail mower
Rear mounted
HP 40-105
Pag. 10



TR36

Multi-purpose flail mower
Rear mounted
HP 45-120
Pag. 12



TR56

Multi-purpose flail mower
Rear mounted
HP 70-150
Pag. 12



TB2

Lowered multi-purpose flail mower
Rear mounted
HP 40-105
Pg. 8-9



TR27 F

Front-mounted multi-purpose flail mower
HP 40-105
Pag. 11



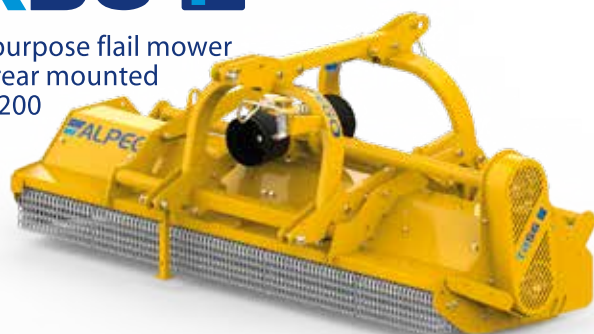
TR36 F

Multi-purpose flail mower
Front/rear mounted
HP 55-150
Pag. 13



TR56 F

Multi-purpose flail mower
Front/rear mounted
HP 75-200
Pag. 13



TRILAT

TL50

Heavy-duty lateral flail mower
HP 100-220
Pag. 18



TT97

Shredder
HP 80-160
Pag. 21



TL35 II

Lateral flail mower
HP 55-130
Pag. 16



TL35 E

Lateral flail mower
HP 55-130
Pag. 17



TRISTOC



"SSA" mulching chamber

The whole range of ALPEGO flail mowers is equipped with the exclusive "SSA" MULCHING CHAMBER



We have been designing solutions to guarantee high mulching for years. The result is our SSA "Super Shredder Alpego" system, the mulching chamber suited to all conditions for both plant waste and wood residues.

Matteo Zambon
Technical Dept. Manager



TRISAR

Range of multi-purpose flail mowers

Alpego multi-purpose flail mowers are ideal for working in all situations with excellent results and in complete safety; for cutting grass, mulching prunings and wood residues in vineyards and orchards.

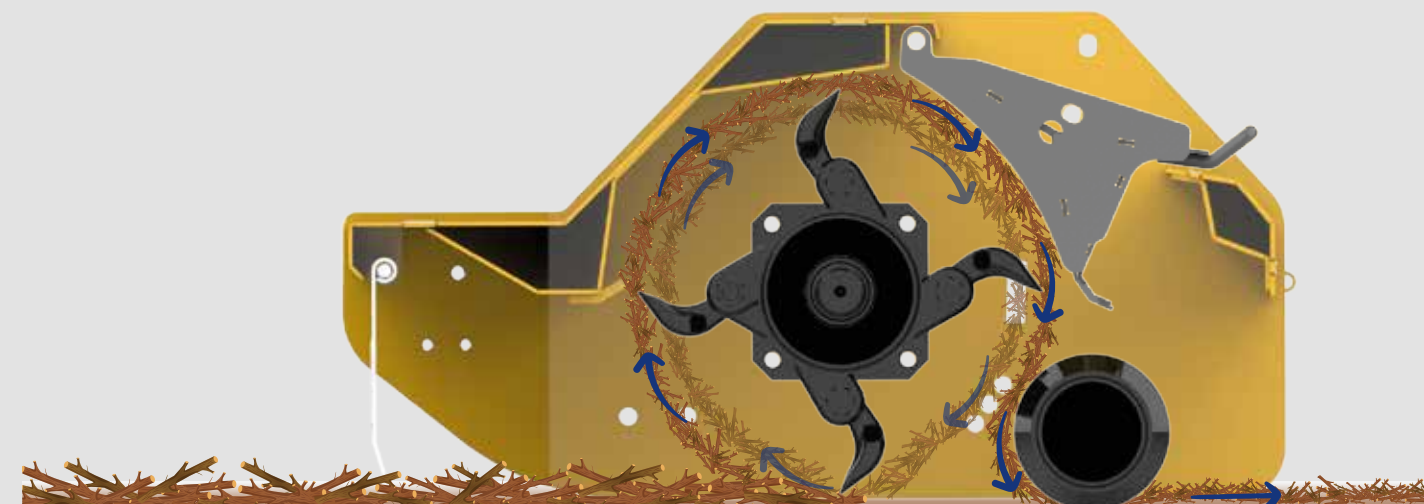
"SSA" MULCHING CHAMBER

Multi-purpose SSA "Super Shredder Alpego" mulching chamber (patented in Italy) with variable volume; changing the position of the inside hood, 2 different types of work can be obtained.



1 GRASS FUNCTION

The deflector on the hood remains open, for simple cutting and discharge after the roller (grass cuttings, bushes, thick vegetation).



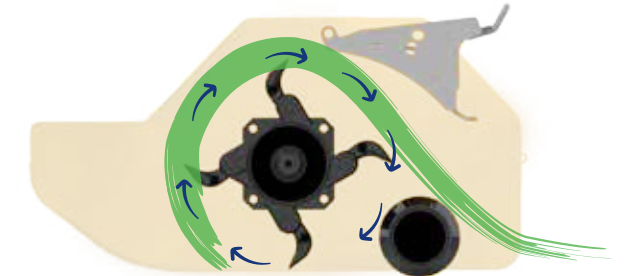
2 FUNCTION FOR WOOD TURBO-MULCHER

The deflector on the hood remains low and the wood residues are finely mulched, remaining in the chamber until completely mulched (vines, brushwood, prunings, wood).



SIDE SHIFT

The Alpego flail mower side shift can be controlled manually or hydraulically.



REINFORCED ROTOR

The distinctive reinforced rotor fitted with oversized hammers delivers high centrifugal force for outstanding performance. The small gap between rotor and rear roller means that even large volumes of shredded product are always discharged effectively, preventing troublesome blockages.



SELF-CLEANING REAR ROLLER

The self-cleaning rear roller has an automatic roller cleaning system, thanks to its position very close to the rotor.



DOUBLE COUNTER-BLADE

The largest models in the Trisar range are equipped with a second counter-blade as standard. (TR36-TR56)



INTERNAL COUNTER-FRAME

The mulching chamber, consisting of a double metal frame, increases the strength and integrity of the machine, while protecting the rear hood against damage.



DOUBLE 3-POINT HITCH

The double 3-point hitch on the TR36F/TR56F ensures both front and rear applications on the machine.

TB2

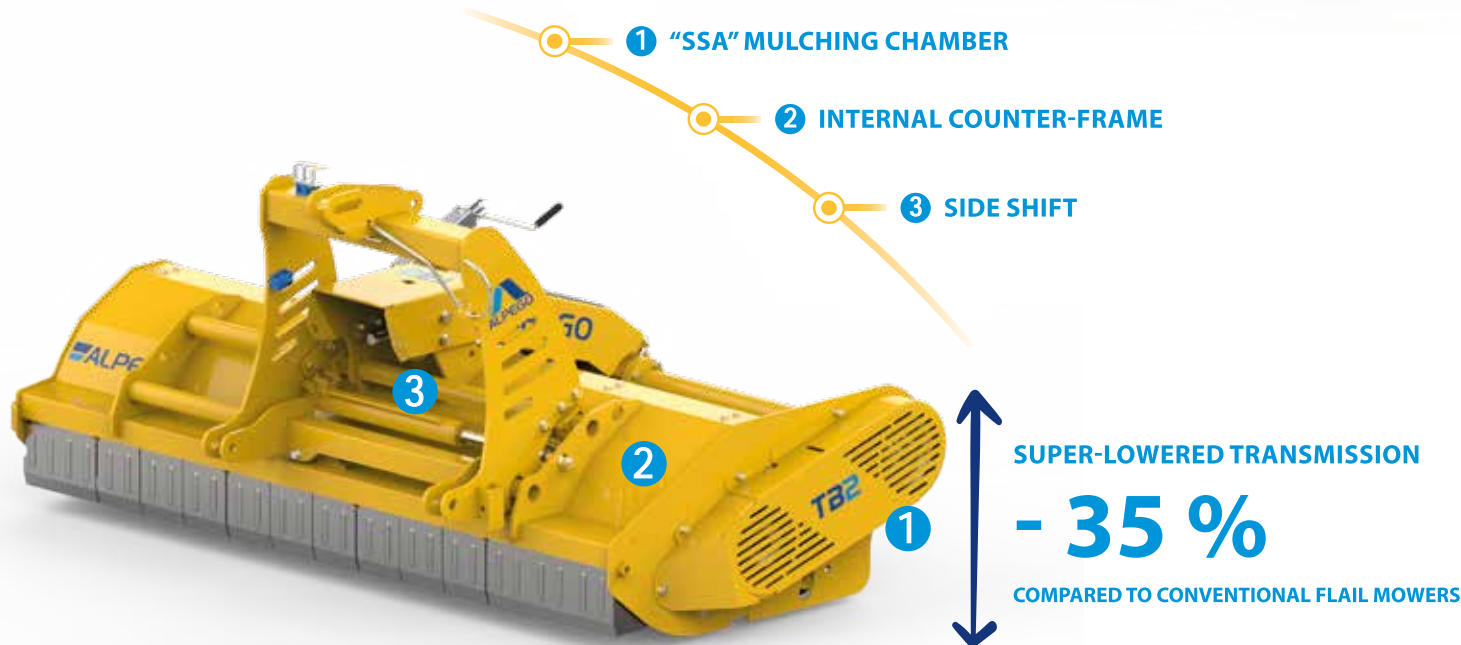
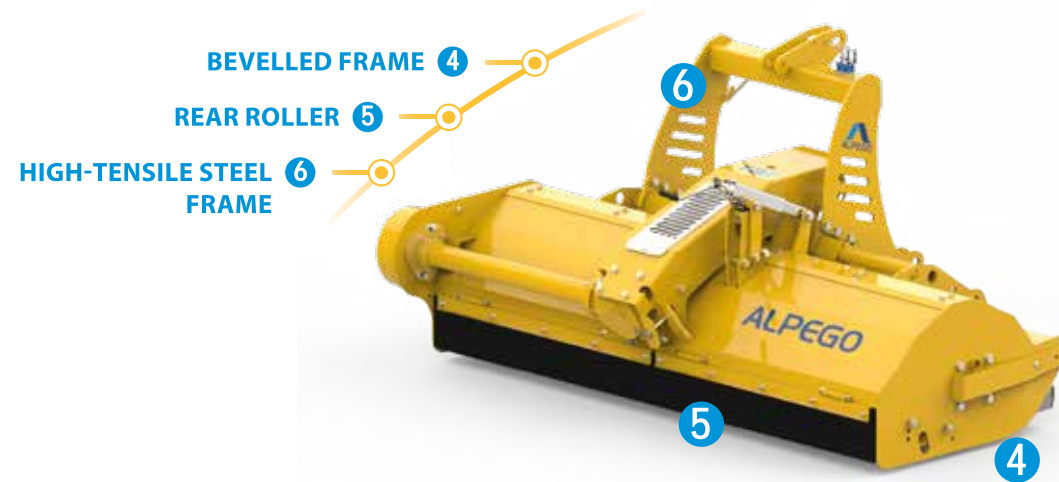
Lowered multi-purpose flail mower for tractors up to 105 HP, working width from 2 m

Thanks to the patented SSA system, the TB2 lowered profile flail mower provides excellent results on grass, woody material, straw, plant residues, shrubs and prunings. It is also particularly recommended for vineyard maintenance.



VBHP SPECIAL BELT

The use of the new high-performance VBHP SPECIAL (V-Belt-High-Performance) belts offers retracting side transmission with narrow guard, ensuring high reliability.



| | TB2-140 | TB2-160 | TB2-180 | TB2-200 |
|---------------------------------|---------|---------|---------|---------|
| Working width (mm) | 1400 | 1600 | 1800 | 2000 |
| Transport width (mm) | 1550 | 1750 | 1950 | 2150 |
| Tractor power (HP) | 40-105 | 45-105 | 50-105 | 55-105 |
| Hammers (no.) | 12 | 14 | 16 | 16 |
| Belts (no.) | 3 | 3 | 3 | 3 |
| Roller diameter (mm) | 140 | 140 | 140 | 140 |
| Maximum cutting diameter (Ø cm) | 5 | 5 | 5 | 5 |
| Weight (Kg) | 510 | 540 | 580 | 640 |

1 "SSA" MULCHING CHAMBER
Multi-purpose mulching chamber with variable volume and innovative crank control. Changing the position of the hood, 2 different types of work can be obtained.

2 INTERNAL COUNTER-FRAME
Mulching chamber with double metal frame to increase the strength and integrity of the machine.

3 SIDE SHIFT
Hydraulically controlled side shift with optimised central positioning.

4 BEVELLED FRAME
Frame with RH bevelled side with no jutting parts and inner rotor supports.

5 REAR ROLLER
The self-cleaning rear roller has an automatic roller cleaning system, thanks to its position very close to the rotor.

6 HIGH-TENSILE STEEL FRAME
Sturdy frame in dual-layer high-tensile steel.

7 CENTRAL GEARBOX
Concept of gearbox with a super-lowered design.

8 SIDE TRANSMISSION
Retracting side transmission with narrow guard, thanks to the use of the new high-performance distribution belts VBHP SPECIAL (V-Belt-High-Performance).

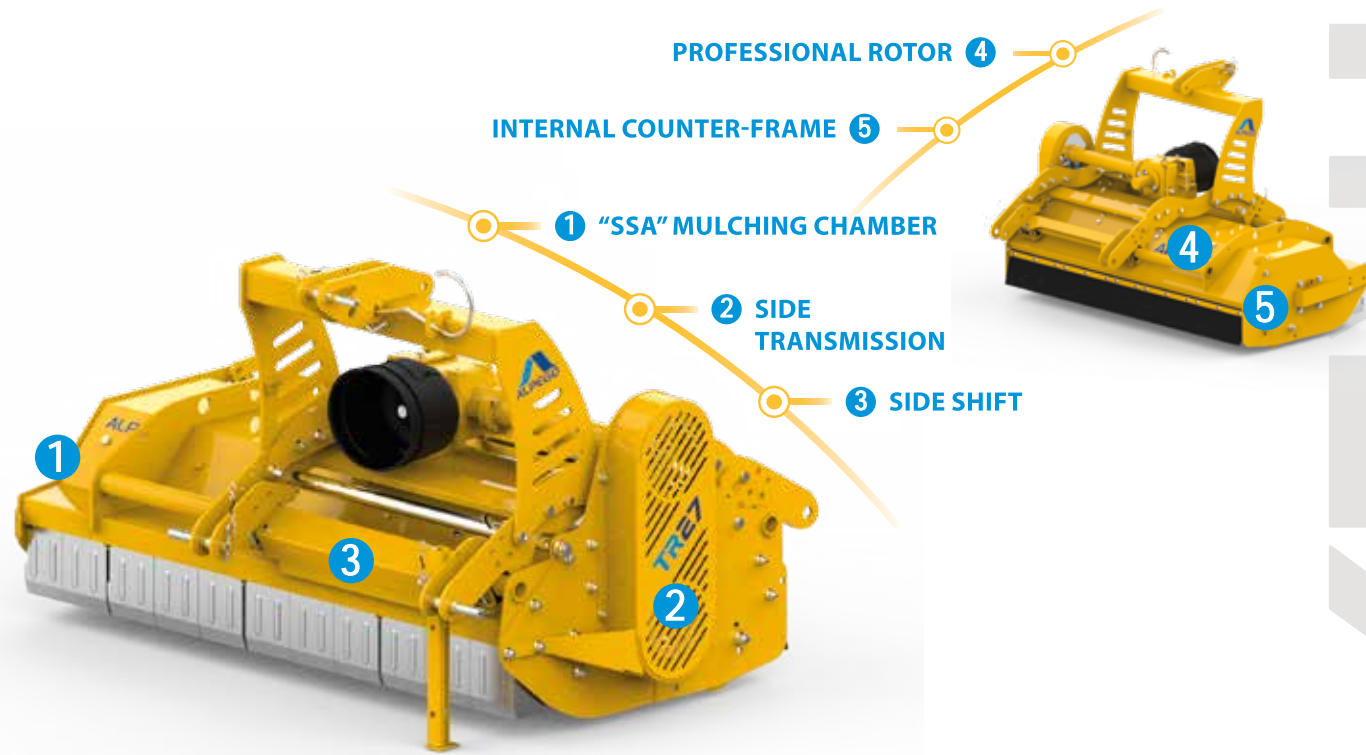
9 PROFESSIONAL ROTOR
Professional rotor with angled tool-holder grips equipped with large self-sharpening universal Hammers with M18 bolts.

EQUIPMENT
PTO 540 rpm / Linkage cat. 1 and 2N / Drive shaft with guard / Rear roller Ø140 mm with protected bearings / Fixed counter-blade / Hydraulic side shift.

TR27

Thanks to the patented SSA system, the TR27 multi-purpose flail mower provides excellent results on grass, woody material, straw, crop residues, shrubs and prunings. It is also ideal for tending fallow land and green areas.

Multi-purpose flail mower for tractors up to 105 HP, working width up to 2 m



| | TR27-140 | TR27-160 | TR27-180 | TR27-200 |
|--|----------|----------|----------|----------|
| Working width (mm) | 1400 | 1600 | 1800 | 2000 |
| Transport width (mm) | 1550 | 1750 | 1950 | 2150 |
| Tractor power (HP) | 40-105 | 45-105 | 55-105 | 55-105 |
| Hammers (no.) | 12 | 14 | 16 | 16 |
| Belts (no.) | 3 | 3 | 3 | 3 |
| Roller diameter (mm) | 140 | 140 | 140 | 140 |
| Maximum cutting diameter (Ø cm) | 6 | 6 | 6 | 6 |
| Weight with mechanical side shift (Kg) | 515 | 545 | 595 | 630 |
| Weight with hydraulic side shift (Kg) | 520 | 550 | 600 | 635 |

1 "SSA" MULCHING CHAMBER

Variable volume mulching chamber with manual control for adjustment of the inside mobile gate.

2 SIDE TRANSMISSION

Side transmission with narrow casing thanks to the use of new high-performance VBHP SPECIAL (V-Belt-High-Performance) distribution belts.

3 SIDE SHIFT

Mechanic or hydraulic side shift (CHOOSE WHICH).

4 PROFESSIONAL ROTOR

Professional rotor with angled tool-holder grips equipped with large self-sharpening universal Hammers with M18 bolts.

5 INTERNAL COUNTER-FRAME

Mulching chamber with double metal frame to increase the strength and integrity of the machine.

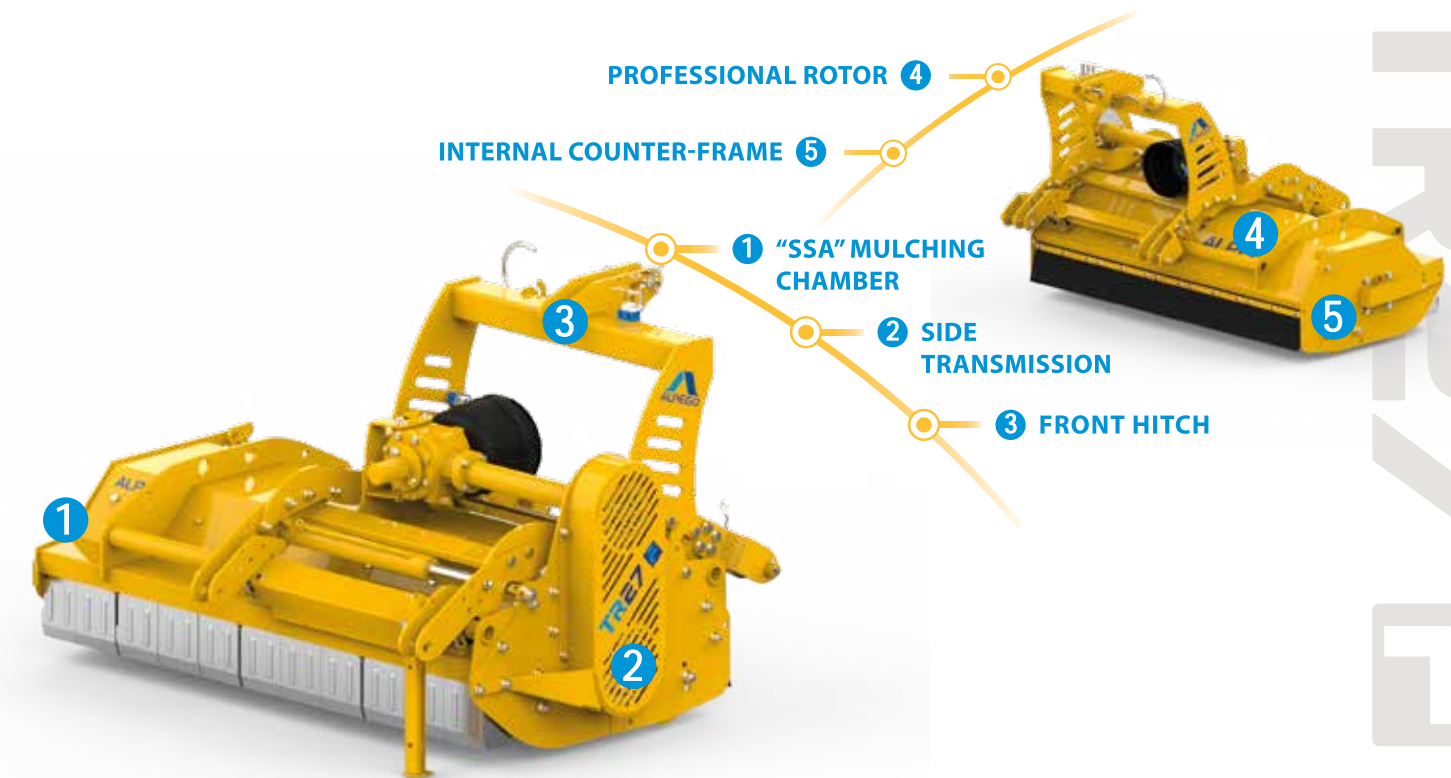
EQUIPMENT

PTO 540 rpm / Linkage cat. 1 and 2N / Drive shaft with guard / Rear roller Ø140 mm with protected bearings / Fixed counter-blade.

TR27

Thanks to the patented SSA system, the TR27F front-mounted multi-purpose flail mower provides excellent results on grass, woody material, straw, plant residues, shrubs and prunings and is ideal for the maintenance of fallow land and green areas. The hitch is positioned to enable front-mounting on the tractor.

Front-mounted multi-purpose for tractors up to 105 HP, working width up to 2 m



| | TR27F-140 | TR27F-160 | TR27F-180 | TR27F-200 |
|--|-----------|-----------|-----------|-----------|
| Working width (mm) | 1400 | 1600 | 1800 | 2000 |
| Transport width (mm) | 1550 | 1750 | 1950 | 2150 |
| Tractor power (HP) | 40-105 | 45-105 | 55-105 | 55-105 |
| Hammers (no.) | 12 | 14 | 16 | 16 |
| Belts (no.) | 3 | 3 | 3 | 3 |
| Roller diameter (mm) | 140 | 140 | 140 | 140 |
| Maximum cutting diameter (Ø cm) | 6 | 6 | 6 | 6 |
| Weight with mechanical side shift (Kg) | - | - | - | - |
| Weight with hydraulic side shift (Kg) | 525 | 555 | 605 | 640 |

1 "SSA" MULCHING CHAMBER

Variable volume mulching chamber with manual control for adjustment of the inside mobile gate.

2 SIDE TRANSMISSION

Side transmission with narrow casing thanks to the use of new high-performance VBHP SPECIAL (V-Belt-High-Performance) distribution belts.

3 FRONT HITCH

The hitch is positioned to enable front-mounting on the tractor.

4 PROFESSIONAL ROTOR

Professional rotor with angled tool-holder grips equipped with large self-sharpening universal Hammers with M18 bolts.

5 INTERNAL COUNTER-FRAME

Mulching chamber with double metal frame to increase the strength and integrity of the machine.

EQUIPMENT

PTO 1000 rpm / Linkage cat. 1 and 2 / Drive shaft with guard / Rear roller Ø140 mm with protected bearings / Fixed counter-blade / Hydraulic side shift.

TR36

TR56 *

Multi-purpose flail mower for tractors up to 150 HP, working width up to 3,1 m

Thanks to the patented SSA system, the TR36 and TR56 multi-purpose flail mowers provide excellent results on grass, woody material, straw, plant residues, shrubs and prunings. They are also ideal for the maintenance of fallow land and green areas.

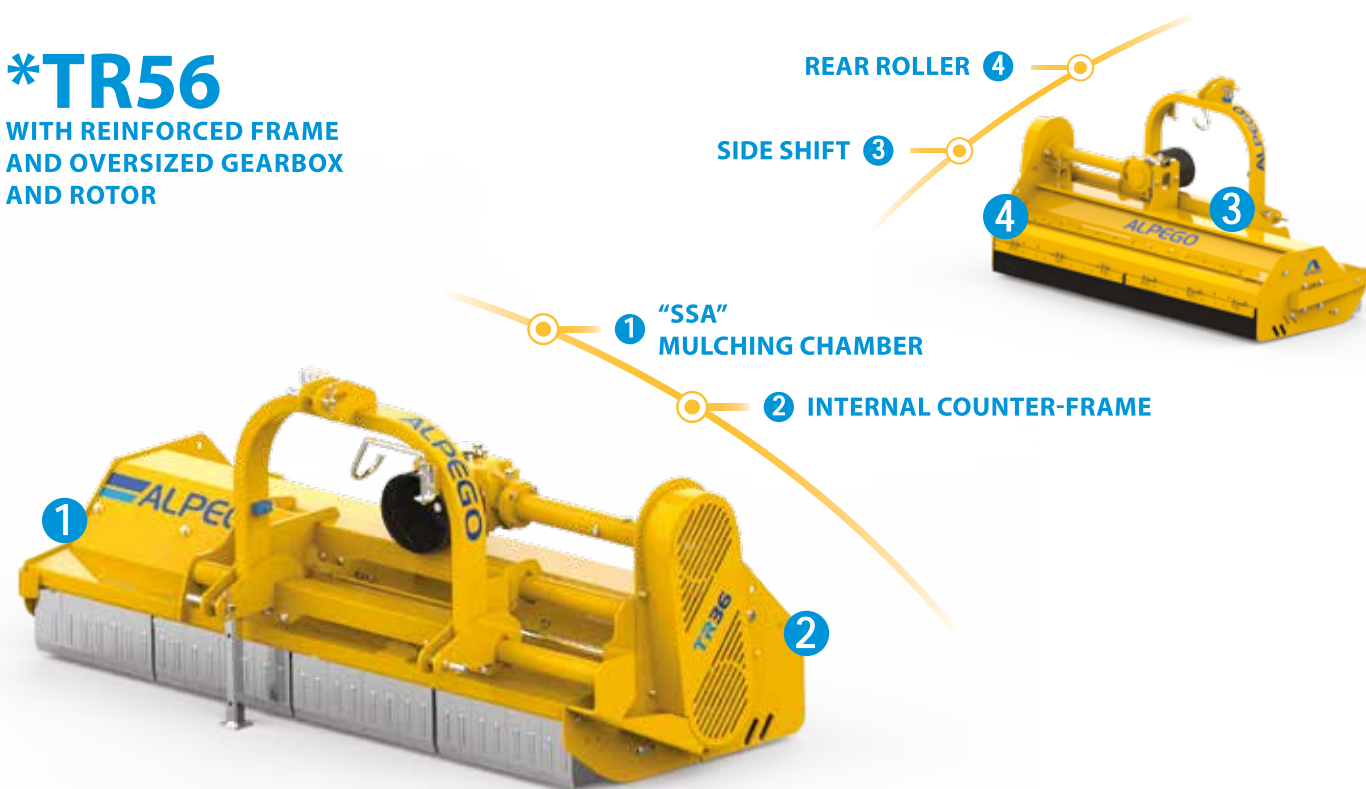
TR36 F

TR56 F *

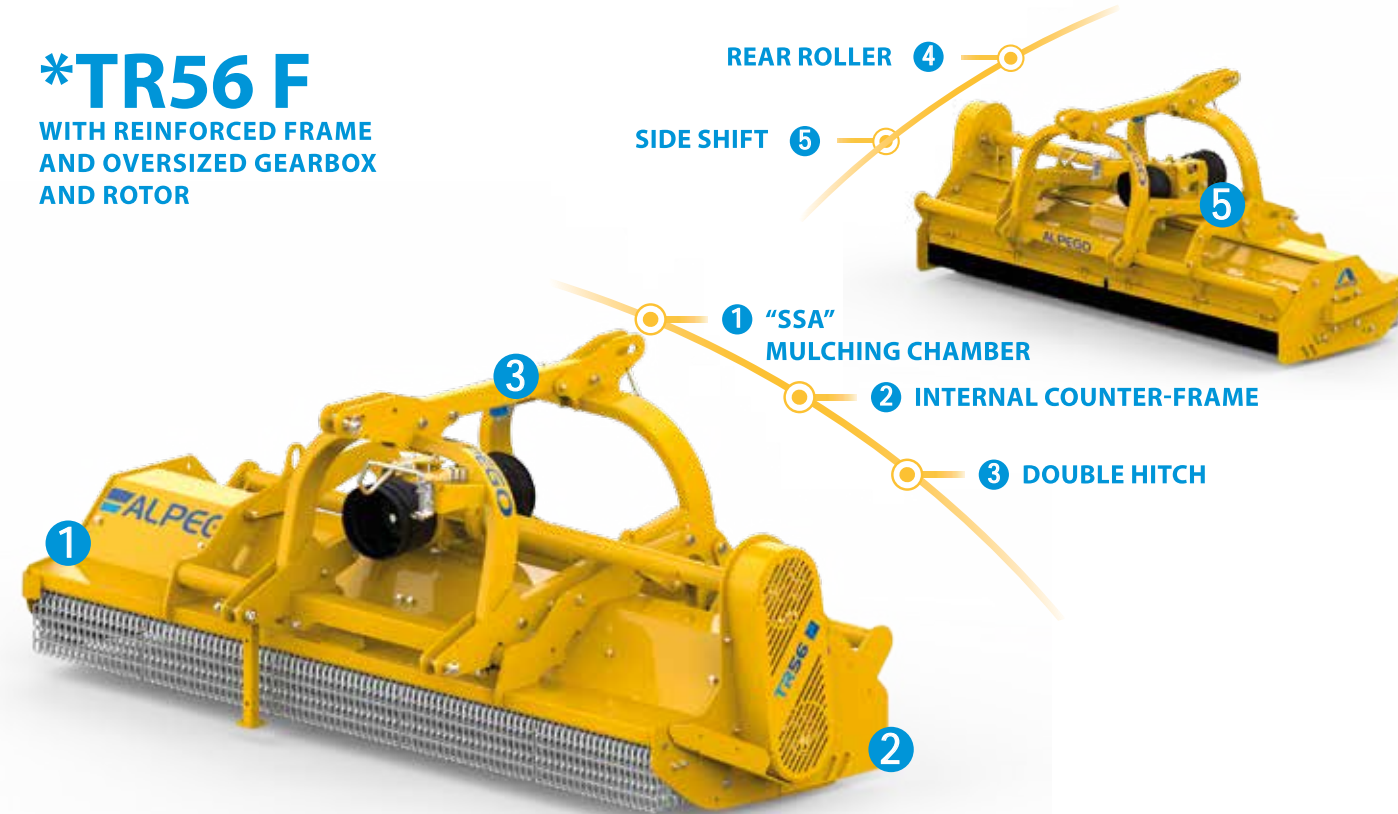
Dual hitch multi-purpose flail mower for tractors up to 180 HP, working width up to 3,1 m

Thanks to the patented SSA system, the TR36F and TR56F multi-purpose flail mowers provide excellent results on grass, woody material, straw, plant residues, shrubs and prunings. The dual three-point hitches enable these models to be mounted at both the front and the rear of the tractor. They are also ideal for the maintenance of fallow land and green areas.

*TR56 WITH REINFORCED FRAME AND OVERSIZED GEARBOX AND ROTOR



*TR56 F WITH REINFORCED FRAME AND OVERSIZED GEARBOX AND ROTOR



TR36-56

TR36-56

| | TR36-160 | TR36-180 | TR36-200 | TR36-220C | TR36-240C | TR56-280 | TR56-310 |
|---------------------------------|----------|----------|----------|-----------|-----------|----------|----------|
| Working width (mm) | 1600 | 1800 | 2000 | 2200 | 2400 | 2800 | 3100 |
| Transport width (mm) | 1750 | 1950 | 2150 | 2350 | 2550 | 2950 | 3250 |
| Tractor power (HP) | 45-105 | 50-105 | 55-120 | 60-120 | 65-120 | 70-150 | 70-150 |
| Hammers (no.) | 14 | 16 | 16 | 20 | 20 | 24 | 28 |
| Belts (no.) | 4 | 4 | 4 | 4 | 4 | 5 | 5 |
| Roller diameter (mm) | 160 | 160 | 160 | 160 | 160 | 160 | 160 |
| Maximum cutting diameter (Ø cm) | 8 | 8 | 8 | 8 | 8 | 10 | 10 |
| Weight (Kg) | 695 | 740 | 775 | 825 | 865 | 985 | 1055 |

| | TR36F-180 | TR36F-200 | TR36F-220 | TR36F-240 | TR56F-280 | TR56F-310 |
|---------------------------------|-----------|-----------|-----------|-----------|-----------|-----------|
| Working width (mm) | 1800 | 2000 | 2200 | 2400 | 2800 | 3100 |
| Transport width (mm) | 1950 | 2150 | 2350 | 2550 | 2950 | 3250 |
| Tractor power (HP) | 55-150 | 60-150 | 65-150 | 70-150 | 75-180 | 80-180 |
| Hammers (no.) | 16 | 16 | 20 | 20 | 24 | 28 |
| Belts (no.) | 4 | 4 | 4 | 4 | 5 | 5 |
| Roller diameter (mm) | 160 | 160 | 160 | 160 | 160 | 160 |
| Maximum cutting diameter (Ø cm) | 8 | 8 | 8 | 8 | 10 | 10 |
| Weight (Kg) | 800 | 890 | 980 | 1020 | 1140 | 1210 |

1 "SSA" MULCHING CHAMBER
Multi-purpose mulching chamber with variable volume; changing the position of the hood, 2 different types of work can be obtained.

3 SIDE SHIFT
Hydraulically controlled side shift

EQUIPMENT
TR36: PTO 540 rpm / TR56: PTO 1000 rpm / Linkage cat. 2 / Drive shaft with guard / Rear roller Ø160 mm with protected bearings / Fixed counter-blade / Second additional counter-blade / Hydraulically side shift.

2 INTERNAL COUNTER-FRAME
Mulching chamber with double metal frame to increase the strength and integrity of the machine.

4 REAR ROLLER
The self-cleaning rear roller has an automatic roller cleaning system, thanks to its position very close to the rotor.

1 "SSA" MULCHING CHAMBER
Multi-purpose mulching chamber with variable volume; changing the position of the hood, 2 different types of work can be obtained.

3 DOUBLE HITCH
Double 3-point hitch for front and rear machine applications.

2 INTERNAL COUNTER-FRAME
Mulching chamber with double metal frame to increase the strength and integrity of the machine.

4 REAR ROLLER
The self-cleaning rear roller has an automatic roller cleaning system, thanks to its position very close to the rotor.

5 SIDE SHIFT
Hydraulically controlled side shift

EQUIPMENT
PTO 1000 rpm / Linkage cat. 2 / Drive shaft with guard / Rear roller Ø160 mm with protected bearings / Fixed counter-blade / Second additional counter-blade / Hydraulic side shift / Front chain guards (TR56F only).

TRILAT

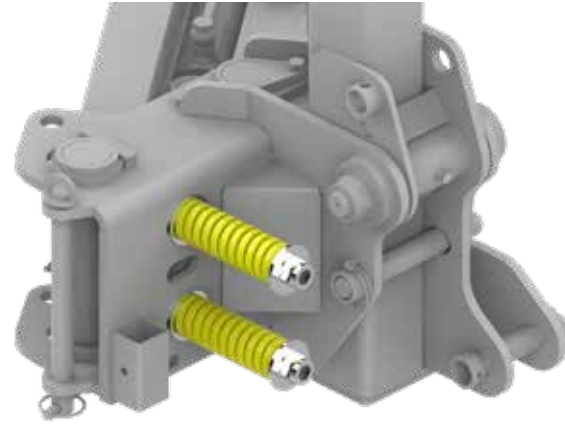
Range of lateral flail mowers

Multi-purpose lateral flail mowers suited for working to the rear or side of the tractor and recommended for grass, plant residues, bushes and prunings with diameters up to 10 cm. Ideal for clearing green areas, gardens, roadsides, ditches, embankments, hedges and sloping land



HYDRAULIC SHOCK ABSORBER

The hydraulic system makes the machine self-levelling and shock-dampened on the tilting axis, making it easier to use with obstacles or particular soil conditions. It also protects the whole machine structure, dampening the shocks produced during work.



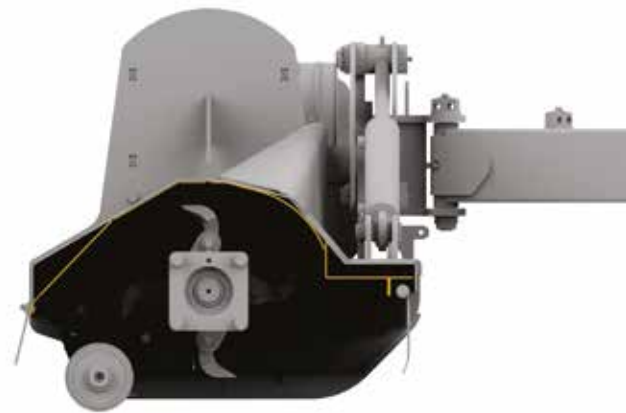
ELASTIC ANTI-SHOCK SAFETY SYSTEM

"NO-STOP" elastic anti-shock safety system, the system is enabled when there are hidden obstacles, blocking the mulching chamber and dampening the shock.



SELF-CLEANING REAR ROLLER

The self-cleaning rear roller has an automatic roller cleaning system, thanks to its position very close to the rotor.

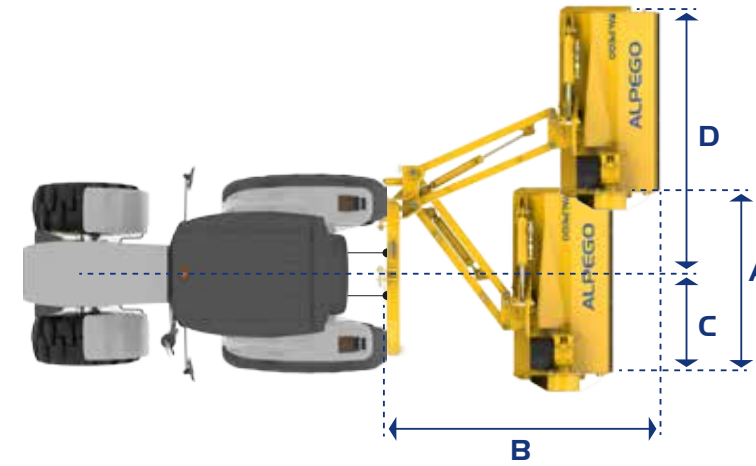


INTERNAL COUNTER-FRAME

The mulching chamber, consisting of a double metal frame, increases the strength and integrity of the machine, while protecting the rear hood against damage.

EXTENDED HYDRAULIC SIDE SHIFT

The side shift has been maximised by the special frame structure, which ensures greater width of movement for the drive shaft.

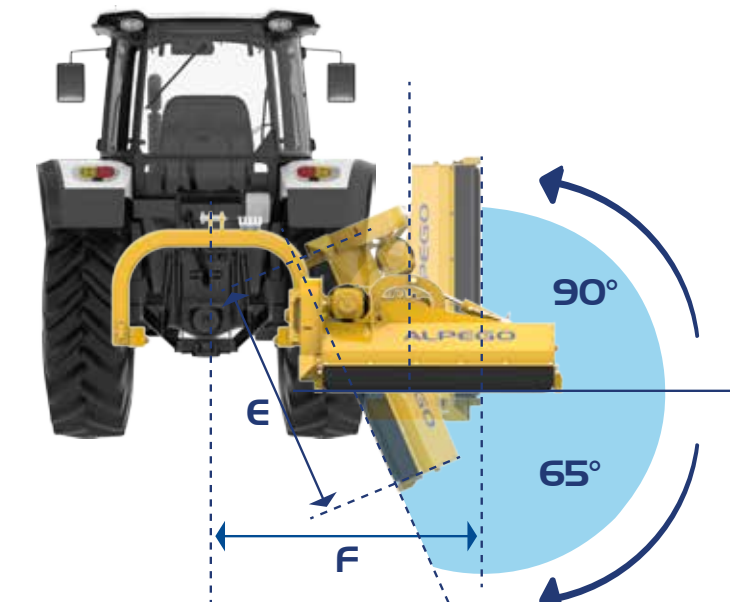


TL35 I

| | TL35 I 160 | TL35 I 180 | TL35 I 200 | TL35 I 220 |
|--------|------------|------------|------------|------------|
| A (mm) | 1600 | 1800 | 2000 | 2200 |
| B (mm) | 1850 | 1850 | 1850 | 1850 |
| C (mm) | 740 | 740 | 740 | 740 |
| D (mm) | 2350 | 2550 | 2750 | 2950 |
| E (mm) | 930 | 1130 | 1330 | 1530 |

TL35 E

| | TL35 E 160 | TL35 E 180 | TL35 E 200 | TL35 E 220 |
|--------|------------|------------|------------|------------|
| A (mm) | 1600 | 1800 | 2000 | 2200 |
| B (mm) | 1850 | 1850 | 1850 | 1850 |
| C (mm) | 580 | 580 | 580 | 580 |
| D (mm) | 2550 | 2750 | 2950 | 3150 |
| E (mm) | 1100 | 1300 | 1500 | 1700 |



TL50

| | TL50 200 | TL50 220 | TL50 240 | TL50 260 |
|--------|----------|----------|----------|----------|
| A (mm) | 2000 | 2213 | 2415 | 2600 |
| B (mm) | 2004 | 2004 | 2004 | 2004 |
| C (mm) | 589 | 589 | 589 | 589 |
| D (mm) | 3156 | 3369 | 3571 | 3756 |
| E (mm) | 1332 | 1545 | 1747 | 1932 |
| F (mm) | 2125 | 2125 | 2125 | 2125 |

TL35 I

The TL35 I multi-purpose lateral flail mower is able to operate both behind the tractor between rows and beside the tractor. It is recommended for grass, crop residues and prunings, on slopes, and for clearing orchards and vineyards, embankments and roadsides.

Lateral flail mower
for tractors up to 130 HP,
working width up to to 2.2 m

GEARBOX INTERNALLY POSITIONED



IDEAL FOR NARROW SPACES

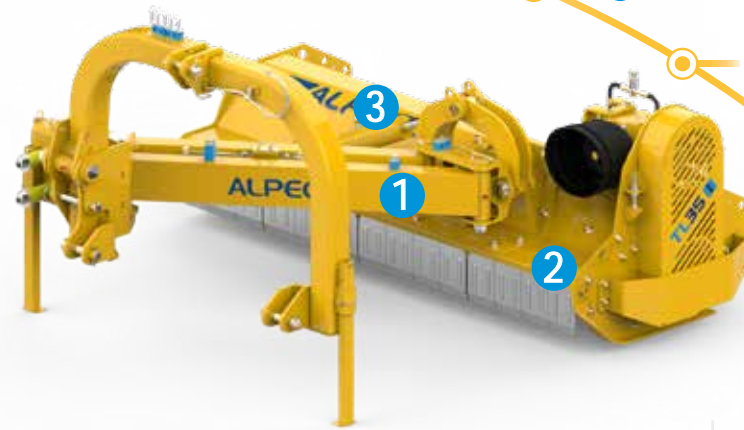
NO-STOP ELASTIC ANTI-SHOCK SYSTEM

REAR ROLLER

1 SIDE SHIFT

2 INTERNAL COUNTER-FRAME

3 HYDRAULIC SHOCK ABSORBER



| | TL35 I-160 | TL35 I-180 | TL35 I-200 | TL35 I-220 |
|---------------------------------|------------|------------|------------|------------|
| Working width (mm) | 1600 | 1800 | 2000 | 2200 |
| Transport width (mm) | 1800 | 2000 | 2200 | 2400 |
| Tractor power (HP) | 55-130 | 65-130 | 75-130 | 75-130 |
| Hammers (no.) | 14 | 16 | 16 | 18 |
| Belts (no.) | 4 | 4 | 4 | 4 |
| Roller diameter (Ø) | 140 | 140 | 140 | 140 |
| Maximum cutting diameter (Ø cm) | 8 | 8 | 8 | 8 |
| Weight (Kg) | 740 | 750 | 790 | 855 |

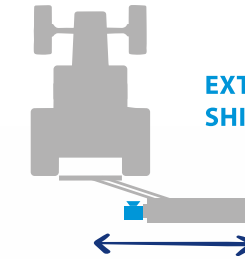
N.B.: Weight includes double homokinetic drive shaft.

TL35 E

The TL35 E multi-purpose lateral flail mower is able to operate both behind the tractor between rows and beside the tractor. This model has increased side-shift thanks to an externally mounted gearbox. It is recommended for grass, plant residues, shrubs and prunings, on slopes, and for clearing embankments and roadsides.

Lateral flail mower
for tractors up to 130 HP,
working width up to to 2.2 m

GEARBOX EXTERNALLY POSITIONED



EXTENDED SIDE SHIFT

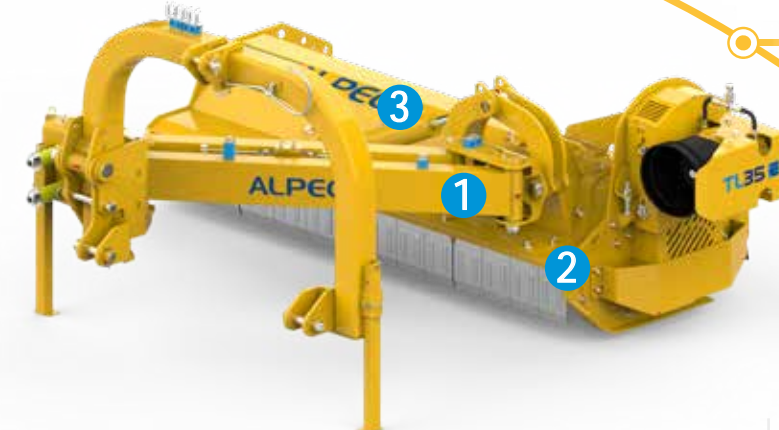
NO-STOP ELASTIC ANTI-SHOCK SYSTEM

REAR ROLLER

1 SIDE SHIFT

2 INTERNAL COUNTER-FRAME

3 HYDRAULIC SHOCK ABSORBER



| | TL35 E-160 | TL35 E-180 | TL35 E-200 | TL35 E-220 |
|---------------------------------|------------|------------|------------|------------|
| Working width (mm) | 1600 | 1800 | 2000 | 2200 |
| Transport width (mm) | 2100 | 2300 | 2500 | 2700 |
| Tractor power (HP) | 55-130 | 65-130 | 75-130 | 75-130 |
| Hammers (no.) | 14 | 16 | 16 | 18 |
| Belts (no.) | 4 | 4 | 4 | 4 |
| Roller diameter (Ø) | 140 | 140 | 140 | 140 |
| Maximum cutting diameter (Ø cm) | 8 | 8 | 8 | 8 |
| Weight (Kg) | 760 | 790 | 810 | 850 |

N.B.: Weight includes double homokinetic drive shaft.

1 SIDE SHIFT
Extended hydraulic side shift.

2 INTERNAL COUNTER-FRAME
Mulching chamber with double metal frame to increase the strength and integrity of the machine.

3 HYDRAULIC SHOCK ABSORBER
System that protects the machine structure, dampening the shocks produced during work.

4 NO-STOP ELASTIC ANTI-SHOCK SYSTEM
Elastic anti-shock safety system enabled when there are hidden obstacles, blocking the mulching chamber and dampening the shock.

5 REAR ROLLER
The self-cleaning rear roller has an automatic roller cleaning system, thanks to its position very close to the rotor.

EQUIPMENT
PTO 540 rpm / Linkage cat. 2, fork-shaped / Drive shaft with guard or double homokinetic universal joint (choice of two) / Rear roller Ø140 mm with protected bearings / Fixed counter-blade / Pair of skids.

1 SIDE SHIFT
Extended hydraulic side shift.

2 INTERNAL COUNTER-FRAME
Mulching chamber with double metal frame to increase the strength and integrity of the machine.

3 HYDRAULIC SHOCK ABSORBER
System that protects the machine structure, dampening the shocks produced during work.

4 NO-STOP ELASTIC ANTI-SHOCK SYSTEM
Hydraulic safety system enabled when there are hidden obstacles, blocking the mulching chamber and dampening the shock.

5 REAR ROLLER
The self-cleaning rear roller has an automatic roller cleaning system, thanks to its position very close to the rotor.

EQUIPMENT
PTO 540 rpm / Linkage cat. 2, fork-shaped / Drive shaft with guard or double homokinetic universal joint (choice of two) / Rear roller Ø140 mm with protected bearings / Fixed counter-blade / Pair of skids.

TL50

Lateral flail mower
for tractors up to 220 HP,
working width up to 2.6 m

The TL50 multi-purpose lateral flail mower is suitable for professional use and is able to operate both behind and beside the tractor. This model has long side-shift thanks to an externally mounted gearbox. It is recommended for grass, plant residues, shrubs and prunings, on slopes, and for clearing large green areas, fallow land, ditches, embankments and roadsides.

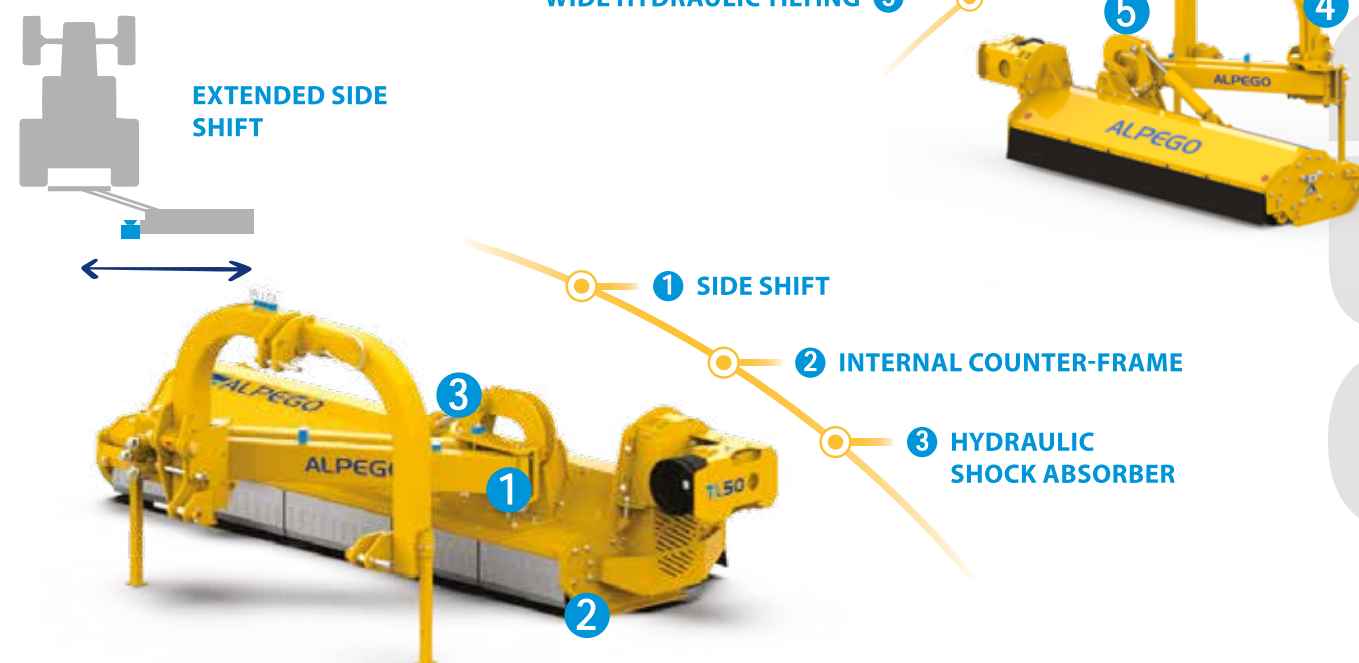
Lateral flail mower
TriLat TL50

GEARBOX EXTERNALLY
POSITIONED

NO-STOP ELASTIC ANTI-SHOCK
SYSTEM

WIDE HYDRAULIC TILTING

EXTENDED SIDE
SHIFT



| | TL50-200 | TL50-220 | TL50-240 | TL50-260 |
|---------------------------------|----------|----------|----------|----------|
| Working width (mm) | 2000 | 2200 | 2400 | 2600 |
| Transport width (mm) | 2527 | 2740 | 2972 | 3157 |
| Tractor power (HP) | 100-220 | 100-220 | 100-220 | 100-220 |
| Hammers (no.) | 16 | 20 | 20 | 22 |
| Belts (no.) | 5 | 5 | 5 | 5 |
| Roller diameter (Ø) | 160 | 160 | 160 | 160 |
| Maximum cutting diameter (Ø cm) | 10 | 10 | 10 | 10 |
| Weight (Kg) | 1165 | 1210 | 1240 | 1280 |

N.B.: Weight includes double homokinetic drive shaft.

1 SIDE SHIFT
Extended hydraulic side shift, one of the largest in its category, with guaranteed safe positioning of the wheels on the tread.

3 HYDRAULIC SHOCK ABSORBER
System that protects the machine structure, dampening the shocks produced during work.

5 WIDE HYDRAULIC TILTING
Wide hydraulic tilting (+90° / - 65°) to guarantee the safe maintenance of embankments and hedges.

2 INTERNAL COUNTER-FRAME
Mulching chamber with double metal frame to increase the strength and integrity of the machine.

4 NO-STOP ELASTIC ANTI-SHOCK SYSTEM
Hydraulic safety system enabled when there are hidden obstacles, blocking the mulching chamber and dampening the shock.

EQUIPMENT
PTO 540 rpm / Linkage cat. 3, fork-shaped / Drive shaft with double homokinetic universal joint / Rear roller Ø160 mm with protected bearings / Fixed counter-blade / Pair of skids.



TRISTOC

Alpego heavy-duty shredders are ideal for shredding and chopping in open fields: bushes, straw, corn stalks, soy, crop residues, woody and organic materials found on fallow land.

Shredder range

DEPTH CONTROL CHOOSE FROM:



SKIDS

Pair of side skids.



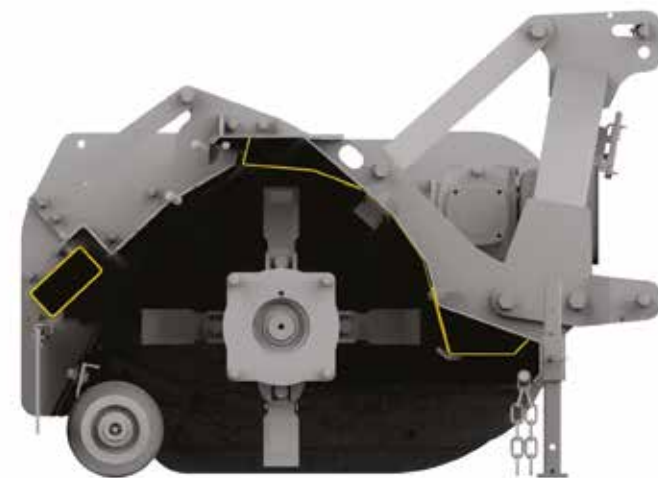
PAIR OF WHEELS

Pair of rear steering wheels.



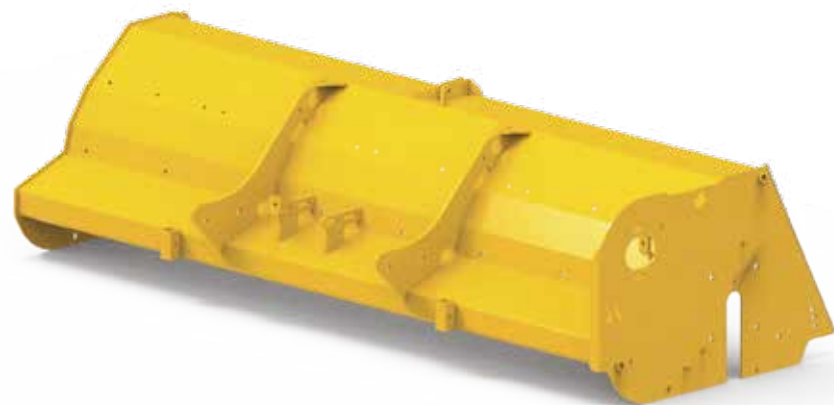
REAR ROLLER

Rear roller mounted on protected bearings.



INTERNAL COUNTER-FRAME

The mulching chamber, consisting of a double metal frame, increases the strength and integrity of the machine, while protecting the rear hood against damage.



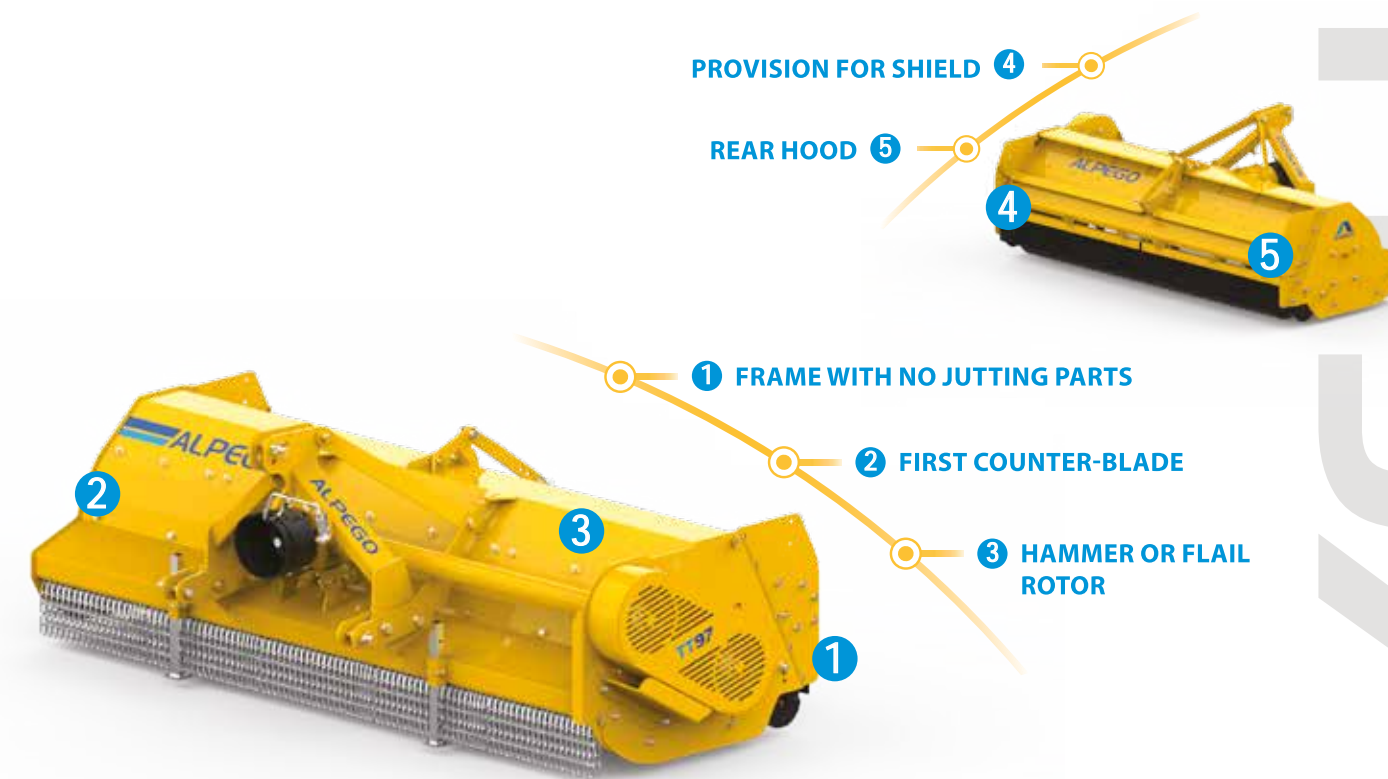
MONOCOQUE FRAME

One-piece frame with no visible welds or joints, with no jutting parts. The rotor supports are protected and positioned inside.

TT97

Shredder
for tractors up to 160 HP,
and working width up to 3.2 m

The TT97 shredder features a rugged, reinforced double frame, ideal for chopping and shredding bushes, straw, corn and soybean stalks, crop residues, or woody or organic material on fallow land.



PROVISION FOR SHIELD 4

REAR HOOD 5

1 FRAME WITH NO JUTTING PARTS

2 FIRST COUNTER-BLADE

3 HAMMER OR FLAIL ROTOR

| | TT97-280 | TT97-300 | TT97-320 |
|----------------------|----------|----------|----------|
| Working width (mm) | 2800 | 3000 | 3200 |
| Transport width (mm) | 3000 | 3200 | 3400 |
| Tractor power (HP) | 80-160 | 90-160 | 100-160 |
| Hammers (no.) | 30 | 32 | 34 |
| Flails (no.) | 60 | 64 | 68 |
| Belts (no.) | 5 | 5 | 5 |
| Roller diameter (Ø) | 220 | 220 | 220 |
| Weight (Kg) | 1165 | 1235 | 1265 |

N.B.: Weight includes depth control

1 FRAME WITH NO JUTTING PARTS

One-piece frame with no visible welds or joints, with no jutting parts.

3 HAMMER OR FLAIL ROTOR

Tristoc shredders are available with rotor equipped with flails or hammers (CHOOSE WHICH).

5 REAR HOOD

Opening rear hood for easy maintenance.

2 FIRST COUNTER-BLADE

First counter-blade built into the frame.

4 PROVISION FOR SHIELD

Provision for internal anti-wear shield (available in the accessories).

EQUIPMENT

PTO 1000 rpm / Linkage cat. 2 / Drive shaft with guard / Side plates / Depth control (choose which).

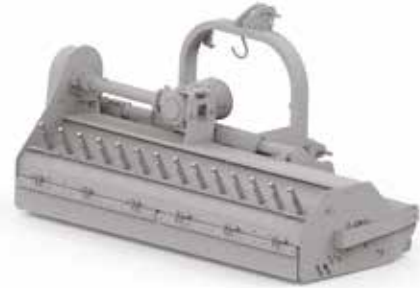
Choosing the accessory

The right accessory for every situation

Multi-purpose flail mower
TrisaR TR36



PAIR OF REAR STEERING WHEELS



REAR RAKE KIT



FRONT PROTECTION CHAIN KIT



DOUBLE HOMOKINETIC DRIVE SHAFT



COUNTER-BLADE KIT



ANTI-WEAR SHIELD FOR FRAME



SKIDS



DOUBLE HITCH KIT

| Accessories | TB2 | TR27 | TR27F | TR36 | TR36F | TR56 | TR56F | TL50 | TL35I | TL35E | TT97 |
|--------------------------------|-----|-----------|-----------|-----------|-----------|-----------|-----------|----------|-----------|-----------|-----------|
| Pair of rear steering wheels | | | | Accessory | | Accessory | | | | | |
| Rear rake kit | | | | Accessory | | Accessory | | | | | |
| Front protection chain kit | | | | Accessory | | Accessory | Standard | | | | Accessory |
| Double homokinetic drive shaft | | | | | | | | Standard | Accessory | Accessory | |
| Counter-blade kit | | | | | | | | | | | Accessory |
| Anti-wear shield for frame | | | | | | | | | | | Accessory |
| Skids | | Accessory | Accessory | Accessory | Accessory | Accessory | Accessory | Standard | Standard | Standard | Standard |
| Double hitch kit | | | Accessory | | Standard | | Standard | | | | |



FOLDABLE POWER HARROWS

120 - 500 HP



RIGID POWER HARROWS

35 - 320 HP



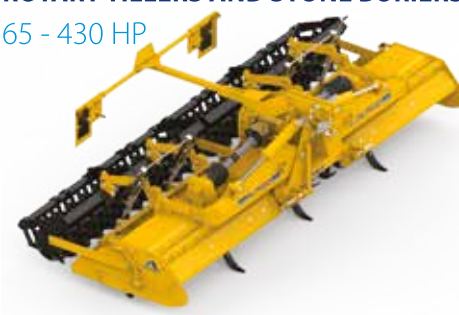
SUBSOILERS

75 - 600 HP



ROTARY TILLERS AND STONE BURIERS

65 - 430 HP



SEED DRILLS

85 - 320 HP



FRONT HOPPERS

120 - 500 HP



CULTIVATORS

120 - 300 HP



FLAIL MOWERS

40-220 HP

