

SECTION 8:**PARTS LISTING****CUBICLE BEDDER PARTS MANUAL****Machine Identification**

The Cubicle Bedder machine and serial identification numbers are printed on a plate located on the rear of the tub.

A record of the serial number along with the machine number and any kit options required to build the machine are listed below.

CUBICLE BEDDER SERIAL NUMBER

CUB

Cubicle Bedder Model

Tick	Machine No.	Description
	269902 01	Cubicle Bedder 100
	269902 02	Cubicle Bedder 150
	269902 03	Cubicle Bedder 300

Optional kits

Tick	KIT No.	Description
	KIT-26005	Agitator direct drive kit
	KIT-26006	Agitator chain drive kit
	KIT-26007	3 point tipping 'A' frame kit
	KIT-26008	3 point fixed mounting kit
	KIT-26009	Agitator chain drive conversion from direct drive
	KIT-26012	Agitator chain drive conversion from direct drive
Conveyor drive hydraulic motor options, when not standard MOTH04001		
	MOTH03200	Hydraulic motor, to suit 24-28 lpm
	MOTH02500	Hydraulic motor, to suit 19-22 lpm

Ordering Spare Parts

To ensure that you order the correct part from your SRE dealer please use the following procedure.

ALWAYS QUOTE THE MACHINE AND SERIAL NUMBERS WHEN ORDERING.

Refer to the first pages of this parts list section, machine assemblies.

Ensure that you look at the correct models parts page listing all the sub assemblies for that machine size.

The appropriate assembly number (in the top left corner) will match the machine number from the Cubicle Bedder identification plate or ticked above.

Then use the sub assembly numbers and descriptions lower on the page to find the area of the machine that your part is required, i.e. if you need a part which is fitted to the agitator, your part will be in the agitator assembly parts list.

Having decided which sub-assembly your part should be under, use the number beside that sub-assembly description, (which will begin with 2690__ __), to find the parts listing of the sub-assembly continue further in the manual. The sub assembly number will be printed in the top left hand corner, the sub-assemblies are in numerical order.

Having found the correct parts list, you will find the corresponding drawing by either looking at the facing page or progressing through the manual to the next drawing. The drawings indicate the components by item numbers, which you will find, are repeated in the left-hand side of your parts listing, and therefore referring to the correct part.

Note - because the complete machine is built up with optional kits i.e.. Chain drive kit or 3 point tipping 'A' frame kit, these parts pages will be found after the sub assembly pages, in numerical order.

LIST OF ASSEMBLY AND KIT NUMBERS

FOR CUBICLE BEDDER MODELS - 100, 150 & 300

1. 269902 01	CUBICLE BEDDER 100
2. 269902 02	CUBICLE BEDDER 150
3. 269902 03	CUBICLE BEDDER 300
4. 269004 01	TRANSFERS SUB ASSY (100)
5. 269004 02	TRANSFERS SUB ASSY (150)
6. 269004 03	TRANSFERS SUB ASSY (300)
7. 269005 01	TUB SUB ASSY 100
8. 269005 02	TUB SUB ASSY 150
9. 269005 03	TUB SUB ASSY 300
10. 269006 01	AGITATOR ASSY 100
11. 269006 02	AGITATOR ASSY 150
12. 269006 03	AGITATOR ASSY 300
13. KIT-26005	AGITATOR DIRECT DRIVE KIT
14. KIT-26006	AGITATOR CHAIN DRIVE KIT
15. KIT-26007	3 POINT TIPPING 'A' FRAME KIT
16. KIT-26008	3 POINT FIXED LINK MOUNTING KIT
17. KIT-26009	RETRO-FIT CHAIN DRIVE KIT
18. KIT-26011	CHAIN DRIVE UPGRADE KIT
19. KIT-26012	RETRO-FIT CHAIN DRIVE KIT

Shelbourne Reynolds Engineering Limited

ASSY NUMBER: 269902 01		ASSY DESCRIPTION: CUBICLE BEDDER 100			QTY	
ITEM	PART NO	DESCRIPTION	ITEM	PART NO	DESCRIPTION	QTY
1	269005 01	TUB SUB ASSY (100)				1
2	269006 01	AGITATOR ASSY (100)				1
3	269004 01	TRANSFERS SUB ASSY (100)				1

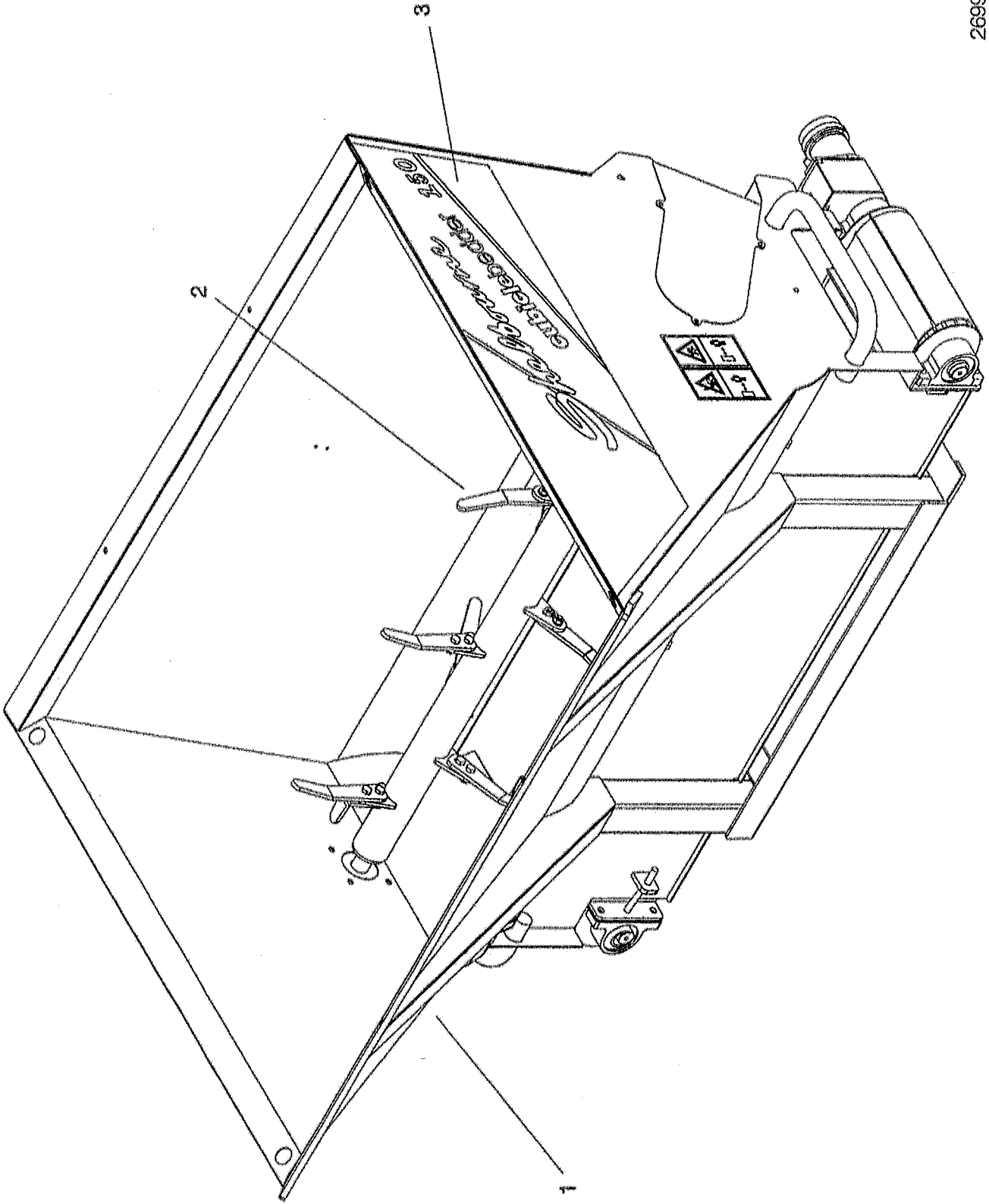
Shelbourne Reynolds Engineering Limited

ASSY NUMBER: 269902 02		ASSY DESCRIPTION: CUBICLE BEDDER 150			QTY	DESCRIPTION	
ITEM	PART NO	DESCRIPTION	QTY	ITEM	PART NO	DESCRIPTION	QTY
1	269005 02	TUB SUB ASSY (150)	1				
2	269006 02	AGITATOR ASSY (150)	1				
3	269004 02	TRANSFERS SUB ASSY (150)	1				

Shelbourne Reynolds Engineering Limited

ASSY NUMBER:		269902 03		ASSY DESCRIPTION: CUBICLE BEDDER 300			
ITEM	PART NO	DESCRIPTION	QTY	ITEM	PART NO	DESCRIPTION	QTY
1	269005 03	TUB SUB ASSY (300)	1				
2	269006 03	AGITATOR ASSY (300)	1				
3	269004 03	TRANSFERS SUB ASSY (300)	1				

269902 01
269902 02
269902 03



Shelbourne Reynolds Engineering Limited

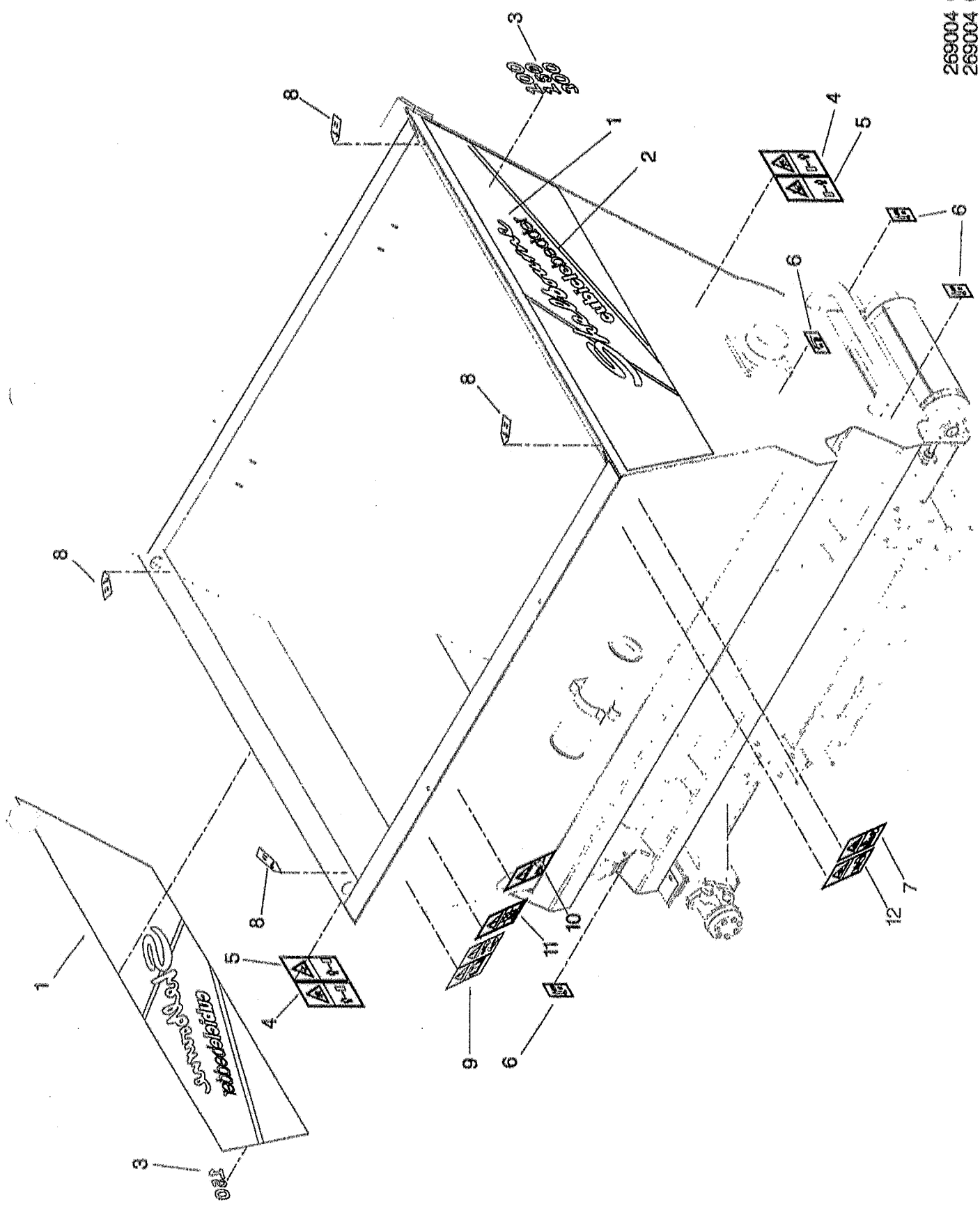
ASSY NUMBER: 269004 01		ASSY DESCRIPTION: 100 MODEL EMBLEMS			QTY
ITEM	PART NO	DESCRIPTION	ITEM	PART NO	DESCRIPTION
1	260228 01	SHELBOURNE EMBLEM			
2	260227 01	CUBICLE BEDDER EMBLEM	2		
3	260229 02	TRANSFER (100)	2		
4	260061 01	TRANSFER (FLYING OBJECT)	2		
5	260062 01	TRANSFER (HAND ENTANGLE.)	2		
6	127075 16	TRANSFER (50HR GREASE)	5		
7	260063 01	TRANSFER (DON'T ENTER TUB)	1		
8	190702 04	TRANSFER (SLING POINT)	4		
9	TNF-0011	TRANSFER (SAFETY MAINT.)	1		
10	614962 01	TRANSFER (HIGH PRESSURE)	1		
11	614959 02	TRANSFER (MAX PRESSURE)	1		
12	260060 01	TRANSFER (STAY CLEAR)	1		

Shelbourne Reynolds Engineering Limited

ASSY NUMBER: 269004 02		ASSY DESCRIPTION: 150 MODEL EMBLEMS					
ITEM	PART NO	DESCRIPTION	QTY	ITEM	PART NO	DESCRIPTION	QTY
1	260228 01	SHELBOURNE EMBLEM	2				
2	260227 01	CUBICLE BEDDER EMBLEM	2				
3	260229 01	TRANSFER (150)	2				
4	260061 01	TRANSFER (FLYING OBJECT)	2				
5	260062 01	TRANSFER (HAND ENTANGLE.)	2				
6	127075 16	TRANSFER (50HR GREASE)	5				
7	260063 01	TRANSFER (DON'T ENTER TUB)	1				
8	190702 04	TRANSFER (SLING POINT)	4				
9	TNF-0011	TRANSFER (SAFETY MAINT.)	1				
10	614962 01	TRANSFER (HIGH PRESSURE)	1				
11	614959 02	TRANSFER (MAX PRESSURE)	1				
12	260060 01	TRANSFER (STAY CLEAR)	1				

Shelbourne Reynolds Engineering Limited

ASSY NUMBER:		269004 03		ASSY DESCRIPTION:		300 MODEL EMBLEMS	
ITEM	PART NO	DESCRIPTION	QTY	ITEM	PART NO	DESCRIPTION	QTY
1	260228 01	SHELBOURNE EMBLEM	2				
2	260227 01	CUBICLE BEDDER EMBLEM	2				
3	260229 03	TRANSFER (300)	2				
4	260061 01	TRANSFER (FLYING OBJECT)	2				
5	260062 01	TRANSFER (HAND ENTANGLE.)	2				
6	127075 16	TRANSFER (50HR GREASE)	5				
7	260063 01	TRANSFER (DON'T ENTER TUB)	1				
8	190702 04	TRANSFER (SLING POINT)	4				
9	TNF-0011	TRANSFER (SAFETY MAINT.)	1				
10	614962 01	TRANSFER (HIGH PRESSURE)	1				
11	614959 02	TRANSFER (MAX PRESSURE)	1				
12	260060 01	TRANSFER (STAY CLEAR)	1				



269004 01
 269004 02
 269004 03

Sheilbourne Reynolds Engineering Limited

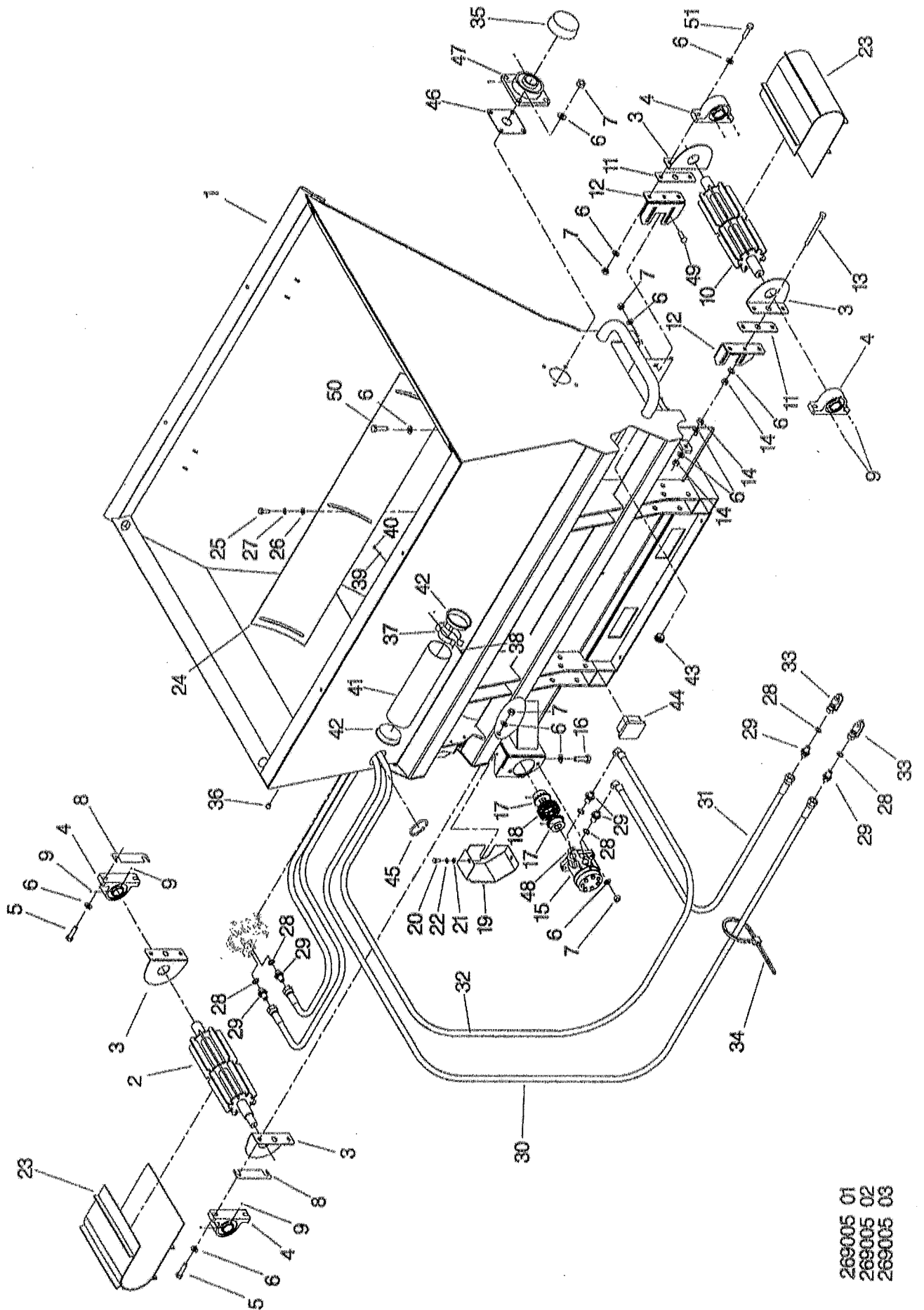
ASSY NUMBER: 269005 01		ASSY DESCRIPTION: CUBICLE BEDDER 100					
ITEM	PART NO	DESCRIPTION	QTY	ITEM	PART NO	DESCRIPTION	QTY
1	260190 01	TUB W/ASSY (100)	1	32	HHBF08905	HYD HOSE(1
2	260025 01	CONVEYOR DRIVER ROLLER	1	33	COU-0162	QUICK RELEASE COUPLING	2
3	260150 01	GUARD PLATE	4	34	TIE-0004	TIE WRAP	8
4	BRG-23555	BEARING	4	35	BRG-93600	BEARING END CAP	4
5	HSS-0260	SET SCREW	4	36	NUTA13080	NUTSERT	3
6	WSH-0018	PLAIN WASHER	34	37	21725019	SPRING CLIP	1
7	NUT-0269	NYLOC NUT	16	38	HSS-0055	SETSCREW	2
8	260067 01	BEARING SHIM	A/R	39	WSH-0006	WASHER	2
9	SCW-4530	GRUBSCREW	6	40	NUT-0258	NUT	2
10	260025 02	CONVEYOR IDLER ROLLER	1	41	39800004	MANUAL HOLDER TUBE	1
11	260151 01	PACKER PLATE	2	42	21709163	PLASTIC END CAP	2
12	260152 01	ADJUSTER PLATE	2	43	PTF-00134	PLASTIC END CAP	3
13	HSSA12770	SET SCREW	2	44	21709004	PLASTIC END CAP	2
14	NUT-0170	PLAIN NUT	6	45	EDS-11400	EDGING STRIP	.22m
15	MOTH04001	MOTOR, CONVEYOR	1	46	260149 02	BEARING SHIM	1
OR	MOTH03200	MOTOR, CONVEYOR		47	BRG-23545	BEARING	1
OR	MOTH02500	MOTOR, CONVEYOR		48	K0807032	KEY)	1
15A	HMS-08001	SEAL KIT (SPARES)		49	BLT-3790	COACHBOLT	4
15B	K0807032	KEY (SPARES)		50	BLTA12260	SET SCREW	4
16	BLTA12290	BOLT	2	51	BLTA12350	SET SCREW (M12x55)	4
17	260030 03	SPROCKET	2	52	260067 01	BEARING SHIM	2
18	CHN-01380	CHAIN & JOINER	1				
18A	CHN-01300	JOINER (SPARES)					
19	260148 01	DRIVE GUARD	1				
20	HSS-0140	SET SCREW	2				
21	WSH-0012	PLAIN WASHER	6				
22	WSH-0058	SPRING WASHER	2				
23	260048 04	CONV.BELT+ JOINING PIN	2				
23A	260048 03	JOINING PIN (SPARES)	1				
24	260187 01	ADJUSTER PLATE	2				
25	HSS-0191	SET SCREW	6				
26	WSH-0015	PLAIN WASHER	6				
27	WSH-0061	SPRING WASHER	6				
28	WSH-1015	DOWTY WASHER	6				
29	HMA-0067	M/M ADAPTOR	6				
30	HHAF24005	HYD HOSE	1				
31	HHBF18005	HYD HOSE	1				

Shelbourne Reynolds Engineering Limited

ASSY NUMBER: 269005 02		ASSY DESCRIPTION: CUBICLE BEDDER 150					
ITEM	PART NO	DESCRIPTION	QTY	ITEM	PART NO	DESCRIPTION	QTY
1	260130 01	TUB W/ASSY (150)	1	32	HBF08905	HYD HOSE (1
2	260025 01	CONVEYOR DRIVER ROLLER	1	33	COU-0162	QUICK RELEASE COUPLING	2
3	260150 01	GUARD PLATE	4	34	TIE-0004	TIE WRAP	8
4	BRG-23555	BEARING	4	35	BRG-93600	BEARING END CAP	4
5	HSS-0260	SET SCREW	4	36	NUTA13080	NUTSERT	3
6	WSH-0018	PLAIN WASHER	34	37	21725019	SPRING CLIP	1
7	NUT-0269	NYLOC NUT	16	38	HSS-0055	SETSCREW	2
8	260067 01	BEARING SHIM	A/R	39	WSH-0006	WASHER	2
9	SCW-4530	GRUBSCREW	6	40	NUT-0258	NUT	2
10	260025 02	CONVEYOR IDLER ROLLER	1	41	39800004	MANUAL HOLDER TUBE	1
11	260151 01	PACKER PLATE	2	42	21709163	PLASTIC END CAP	2
12	260152 01	ADJUSTER PLATE	2	43	PTF-00134	PLASTIC END CAP	2
13	HSSA12770	SET SCREW	2	44	21709004	PLASTIC END CAP	3
14	NUT-0170	PLAIN NUT	2	45	EDS-11400	EDGING STRIP	2
15	MOTH04001	MOTOR, CONVEYOR	6	46	260149 02	BEARING SHIM	.22m
OR	MOTH03200	MOTOR, CONVEYOR	1	47	BRG-23545	BEARING	1
OR	MOTH02500	MOTOR, CONVEYOR	1	48	K0807032	KEY)	1
15A	HMS-08001	SEAL KIT (SPARES)	1	49	BLT-3790	COACHBOLT	1
15B	K0807032	KEY (SPARES)	2	50	BLTA12260	SET SCREW	4
16	BLTA12290	BOLT	2	51	BLTA12350	SET SCREW	4
17	260030 03	SPROCKET	2	52	260067 01	BEARING SHIM	2
18	CHN-01380	CHAIN & JOINER	1				
18A	CHN-01300	JOINER (SPARES)	1				
19	260148 01	DRIVE GUARD	1				
20	HSS-0140	SET SCREW	2				
21	WSH-0012	PLAIN WASHER	6				
22	WSH-0058	SPRING WASHER	2				
23	260048 01	CONV.BELT+ JOINING PIN	1				
23A	260048 03	JOINING PIN (SPARES)	2				
24	260145 01	ADJUSTER PLATE	2				
25	HSS-0191	SET SCREW	6				
26	WSH-0015	PLAIN WASHER	6				
27	WSH-0061	SPRING WASHER	6				
28	WSH-1015	DOWTY WASHER	6				
29	HMA-0067	M/M ADAPTOR	6				
30	HMAF24005	HYD HOSE	1				
31	HBF18005	HYD HOSE	1				

Shelbourne Reynolds Engineering Limited

ASSY NUMBER: 269005 03		ASSY DESCRIPTION: CUBICLE BEDDER 300						
ITEM	PART NO	DESCRIPTION	DESCRIPTION	QTY	ITEM	PART NO	DESCRIPTION	QTY
1	260206 01	TUB W/ASSY (300)	HYD HOSE (1	32	HHBF08905	HYD HOSE (1
2	260025 01	CONVEYOR DRIVER ROLLER	QUICK RELEASE COUPLING	1	33	COU-0162	QUICK RELEASE COUPLING	1
3	260150 01	GUARD PLATE	TIE WRAP	4	34	TIE-0004	TIE WRAP	8
4	BRG-23555	BEARING	BEARING END CAP	4	35	BRG-93600	BEARING END CAP	4
5	HSS-0260	SET SCREW	NUTSERT	4	36	NUTA13080	NUTSERT	3
6	WSH-0018	PLAIN WASHER	SPRING CLIP	34	37	21725019	SPRING CLIP	1
7	NUT-0269	NYLOC NUT	SETScrew	16	38	HSS-0055	SETScrew	2
8	260067 01	BEARING SHIM	WASHER	A/R	39	WSH-0006	WASHER	2
9	SCW-4530	GRUBSCREW	NUT	6	40	NUT-0258	NUT	2
10	260025 02	CONVEYOR IDLER ROLLER	MANUAL HOLDER TUBE	1	41	39800004	MANUAL HOLDER TUBE	1
11	260151 01	PACKER PLATE	PLASTIC END CAP	2	42	21709163	PLASTIC END CAP	2
12	260152 01	ADJUSTER PLATE	PLASTIC END CAP	2	43	PTF-00134	PLASTIC END CAP	3
13	HSSA12770	SET SCREW	PLASTIC END CAP	2	44	21709004	PLASTIC END CAP	2
14	NUT-0170	PLAIN NUT	EDGING STRIP	6	45	EDS-11400	EDGING STRIP	.22
15	MOTH04001	MOTOR, CONVEYOR	BEARING SHIM	1	46	260149 02	BEARING SHIM	m
OR	MOTH03200	MOTOR, CONVEYOR	BEARING		47	BRG-23545	BEARING	1
OR	MOTH02500	MOTOR, CONVEYOR	KEY		48	K0807032	KEY	1
15A	HMS-08001	SEAL KIT (SPARES)	COACHBOLT		49	BLT-3790	COACHBOLT	1
15B	K0807032	KEY (SPARES)	SET SCREW SET SCREW BEARING SHIM		50	BLTA12260	SET SCREW SET SCREW BEARING SHIM	4
16	BLTA12290	BOLT	SHIM	2	51	BLTA12350	SHIM	4
17	260030 03	SPROCKET		2	52	260067 01		2
18	CHN-01380	CHAIN & JOINER		1				1
18A	CHN-01300	JOINER (SPARES)						
19	260148 01	DRIVE GUARD		1				1
20	HSS-0140	SET SCREW		2				2
21	WSH-0012	PLAIN WASHER		6				6
22	WSH-0058	SPRING WASHER		2				2
23	260048 02	CONV. BELT+ JOINING PIN		1				1
23A	260048 03	JOINING PIN (SPARES)						
24	260212 01	ADJUSTER PLATE		2				2
25	HSS-0191	SET SCREW		6				6
26	WSH-0015	PLAIN WASHER		6				6
27	WSH-0061	SPRING WASHER		6				6
28	WSH-1015	DOWTY WASHER		6				6
29	HMA-0067	M/M ADAPTOR		6				6
30	HHAF24005	HYD HOSE		1				1
31	HHBF18005	HYD HOSE		1				1



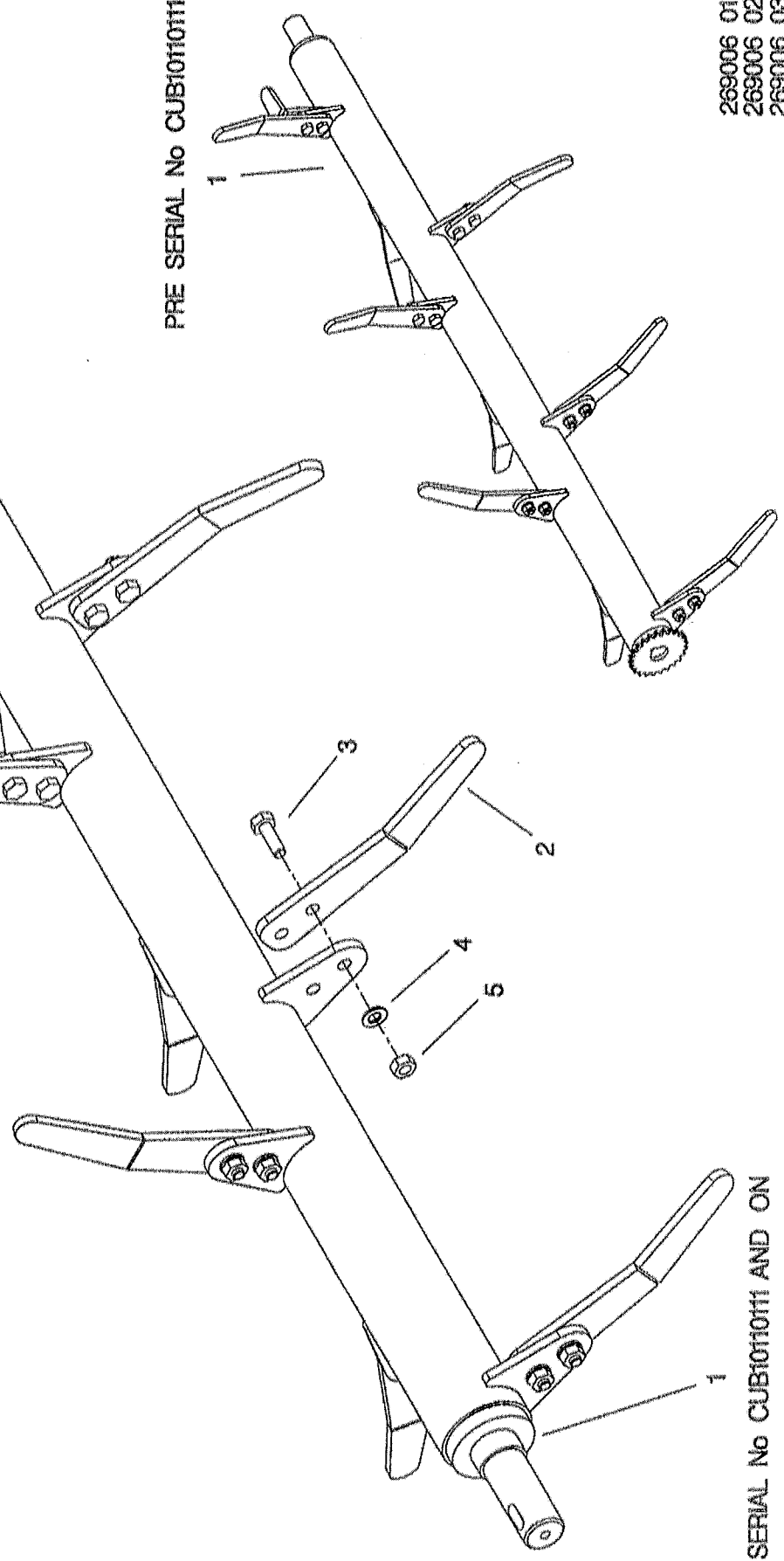
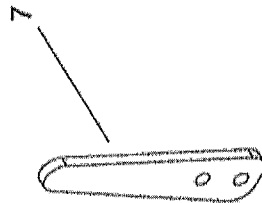
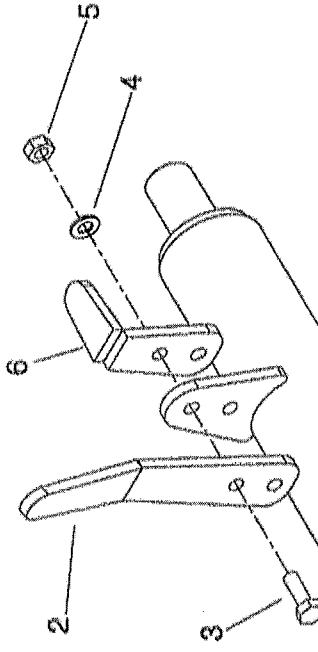
269005 01
 269005 02
 269005 03

Shelbourne Reynolds Engineering Limited

ASSY NUMBER: 269006 01		ASSY DESCRIPTION: AGITATOR ASSY 100					
ITEM	PART NO	DESCRIPTION	QTY	ITEM	PART NO	DESCRIPTION	QTY
1	260224 01	AGITATOR SHAFT ASSY	1				
OR	260189 01	SERIAL NO CUB10110111 & ON AGITATOR SHAFT ASSY	1				
2	260178 01	PRE SERIAL NO CUB10110111	13			FIT 7 SEND 6 LOOSE	
3	HSS-0202	TINE - STD SET SCREW	14				
4	WSH-0015	PLAIN WASHER	14				
5	NUT-0265	NYLOC NUT	14				
6	260203 01	RH END TINE	1				
7	260205 01	SHORT TINE	7			SEND LOOSE	

Shelbourne Reynolds Engineering Limited

ASSY NUMBER: 269006 03		ASSY DESCRIPTION: AGITATOR ASSY 300					
ITEM	PART NO	DESCRIPTION	QTY	ITEM	PART NO	DESCRIPTION	QTY
1	260226 01	AGITATOR SHAFT ASSY	1				
OR	260213 01	SERIAL NO CUB30110111 & ON AGITATOR SHAFT ASSY	1				
2	260178 01	PRE SERIAL NO CUB30110111	21			FIT 11 SEND 10 LOOSE	
3	HSS-0202	TINE - STD	22				
4	WSH-0015	SET SCREW	22				
5	NUT-0265	PLAIN WASHER	22				
6	260203 01	NYLOC NUT	22				
7	260205 01	RH END TINE	1				
		SHORT TINE	11			SEND LOOSE	



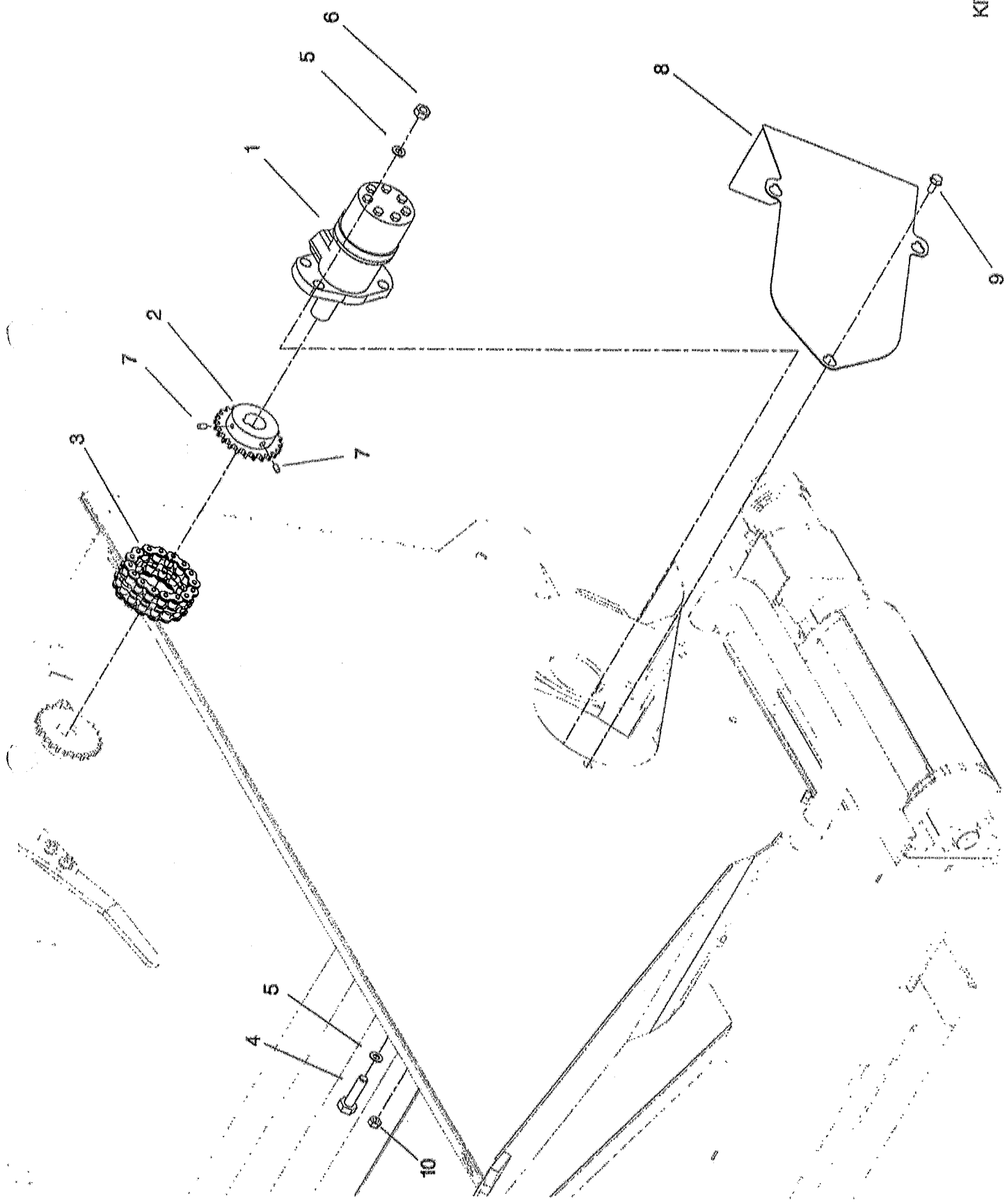
PRE SERIAL No CUB10110111

269006 01
269006 02
269006 03

SERIAL No CUB10110111 AND ON

Shelbourne Reynolds Engineering Limited

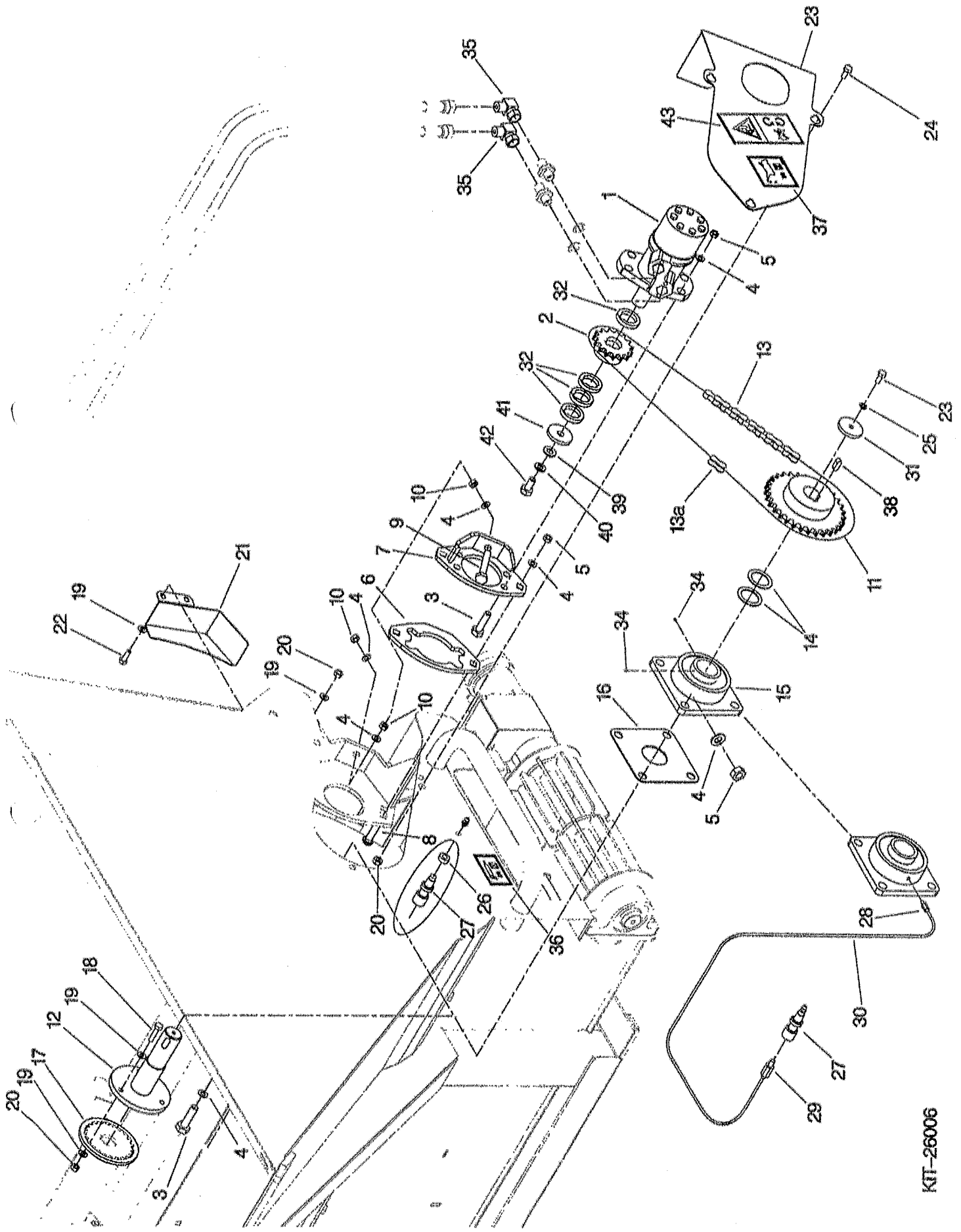
KIT-26005		KIT-26005		KIT-26005		KIT-26005		KIT-26005	
KIT-26005		KIT-26005		KIT-26005		KIT-26005		KIT-26005	
ASSY NUMBER:	PART NO	DESCRIPTION	QTY	ITEM	PART NO	DESCRIPTION	QTY	ITEM	QTY
1	MOTH38941	MOTOR, AGITATOR	1						
1A	HMS-38900	SEAL KIT (SPARES)							
1B	K1008045	KEY (SPARES)							
2	260173 01	SPROCKET	1						
3	CHN-01390	CHAIN & JOINER	1						
3A	CHN-01300	JOINER (SPARES)							
4	BLTA12260	BOLT	4						
5	WSH-0018	PLAIN WASHER	8						
6	NUT-0269	NYLOC NUT	4						
7	SCW-4543	GRUB SCREW	2						
8	260139 02	COVER PLATE	1						
9	HSSF08204	SET SCREW	3						
10	NUT-0263	NYLOC NUT	3						



KIT-26005

Shelbourne Reynolds Engineering Limited

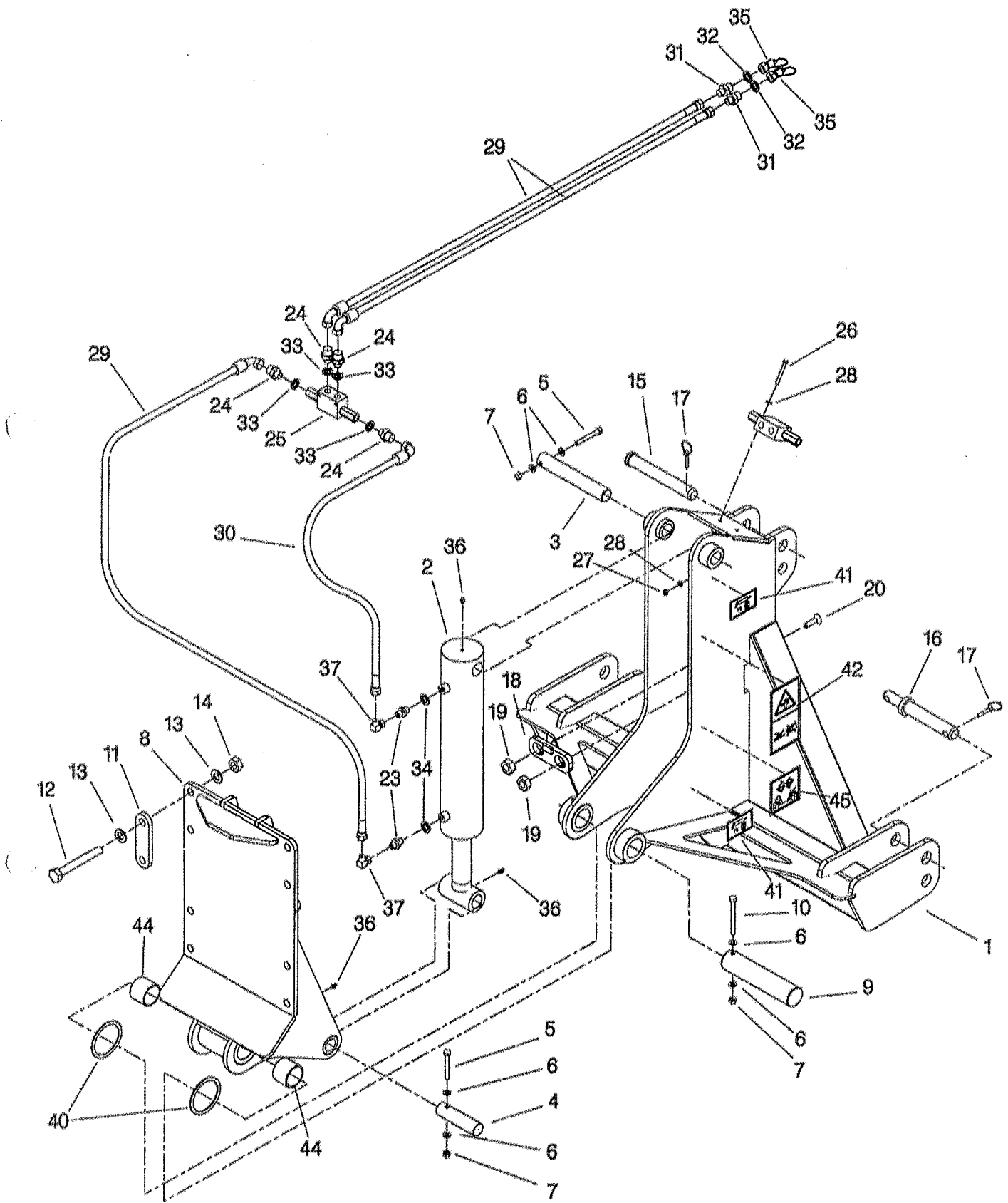
KIT-26006		KIT-26006				AGITATOR CHAIN DRIVE KIT			
ASSY NUMBER:	PART NO	DESCRIPTION	QTY	ITEM	PART NO	DESCRIPTION	QTY		
1	MOTH38941	MOTOR, AGITATOR	1	30	LUB-00044	6mm POLYAMIDE TUBE	.4		
1A	HMS-38900	SEAL KIT (SPARES)		31	190548	WASHER	1		
1B	K1008045	KEY (SPARES)		32	260202	SPACER	4		
2	260216 01	SPROCKET	1	33					
OR	260172 01	SPROCKET		34					
3	BLTA12290	BOLT	8	35	HALAA0707	M/F 90 DEG ADAPTOR (1/2")	2		
4	WSH-0018	PLAIN WASHER	18	36	127075	TRANSFER (GREASE EMBLEM)	1		
5	NUT-0269	NYLOC NUT	10	37	230321	TRANSFER (50 HR OIL CHAIN)	1		
6	260147 01	PACKER PLATE	1	38	K1008030	KEY (10x8x30)	1		
7	260146 01	MOTOR MOUNT PLATE	1	39	HSS-0238	SETSCREW	1		
8	BLT-3807	COACH BOLT	2	40	190548	WASHER	1		
9	HSSA12500	SET SCREW	1	41	WSH-0065	WASHER	1		
10	NUT-0170	PLAIN NUT	3	42	HSS-0241	SETSCREW	1		
11	260217 01	SPROCKET	1	43	193392	TRANSFER (STOP ENG. BEFORE)	1		
OR	260168 01	SPROCKET		44	260230	SPACER	1		
11A	K1008025	KEY							
12	260171 01	DRIVE SHAFT WELD ASSY	1						
	ONLY FOR	PRE SERIAL NO CUB--110111	1						
13	CHN-01995	CHAIN	1						
OR	CHN-01684	CHAIN							
13A	CHN-01910	HALF LINK	1						
OR	CHN-01600	JOINING LINK (
14	190548 65	WASHER	2						
15	BRG-23545	BEARING	1						
16	260149 01	BEARING PACKER PLATE	1						
17									
18	HSS-0152	SET SCREW PRE SERIAL NO	3						
	ONLY FOR	CUB--110111	7						
19	WSH-0012	PLAIN WASHER	5						
20	NUT-0263	NYLOC NUT	1						
21	260144 01	DRIVE COVER	1						
22	HSS-0145	SET SCREW	3						
23	260139 01	COVER PLATE	1						
24	HSSF08204	SET SCREW	3						
25	WSH-0058	SPRING WASHER	1						
26	190548 71	WASHER	1						
27	LUB-00036	BULKHEAD ADAPTOR	1						
28	LUB-00045	STRAIGHT ADAPTOR	1						
29	LUB-00046	STRAIGHT ADAPTOR	1						



KIT-26006

Sheilbourne Reynolds Engineering Limited

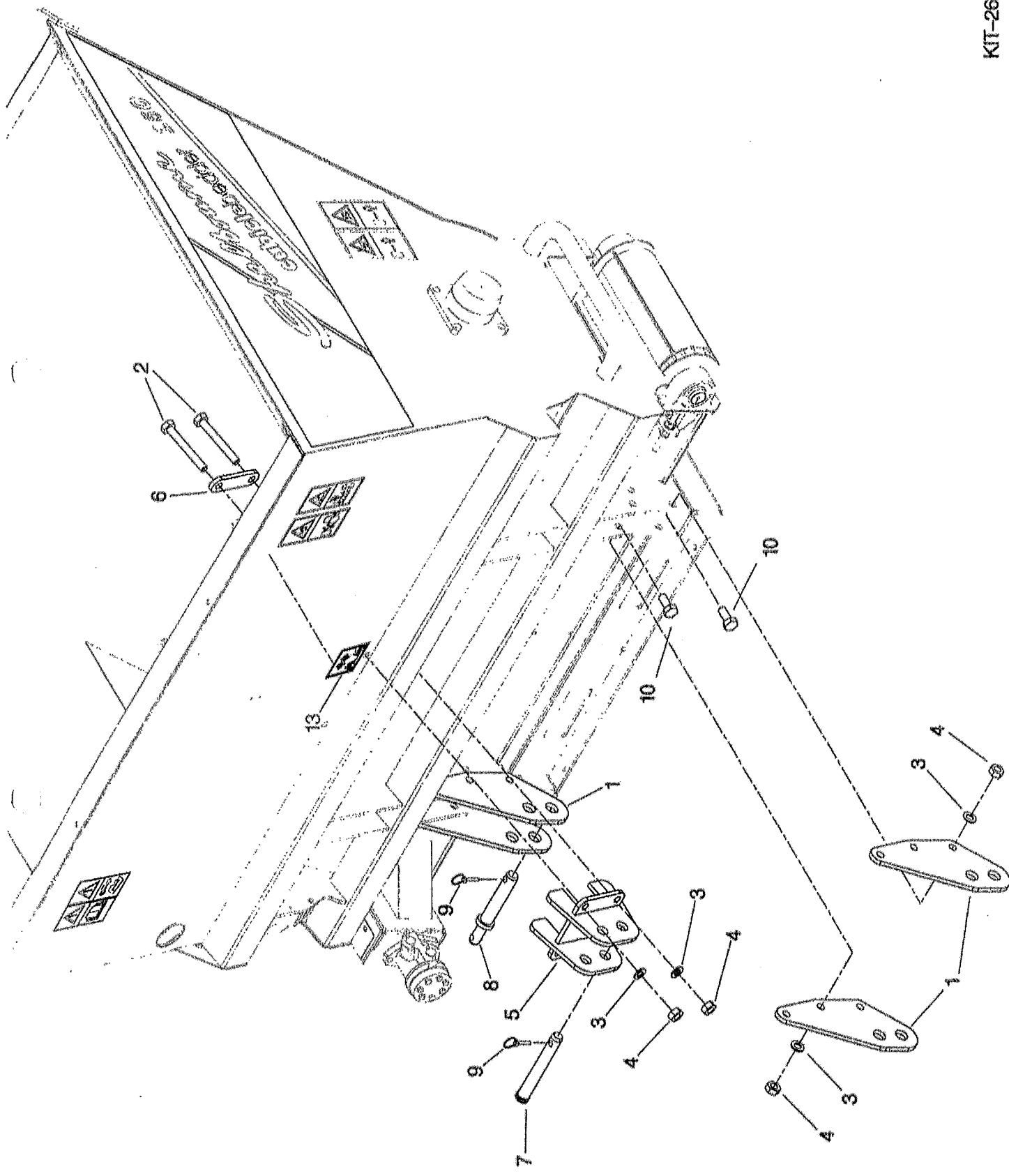
KIT-26007		ASSY DESCRIPTION: 3 POINT TIPPING FRAME KIT					
ASSY NUMBER:	PART NO	DESCRIPTION	QTY	ITEM	PART NO	DESCRIPTION	QTY
1	260166 01	A FRAME MOUNTING	1	37	HALAA0505	ELBOWMALE/FEMALE	2
2	RAM-0013	RAM	1	38			
2A		SEAL KIT		39			
3	260159 01	RAM PIVOT PIN (TOP)	1	40	590652 01	SHIMS	2
4	260191 01	RAM PIVOT PIN (BOTTOM)	1	41	127075 16	TRANSFER	2
5	BLTA08410	BOLT	2	42	800215 01	TRANSFER	1
6	WSH-0012	PLAIN WASHER	6	43			
7	NUT-0263	NYLOC NUT	3	44	BSHA04562	GLACIER BUSH	2
8	260138 01	TILTING FRAME	1	45	800212 01	TRANSFER	1
9	260179 01	MOUNTING PIN	1				
10	BLTA08530	BOLT	1				
11	260143 01	CLAMP PLATE	4				
12	BLT-2334	BOLT	8				
13	WSH-0024	PLAIN WASHER	16				
14	NUT-0180	NYLOC NUT	8				
15	800198 02	TOP LINK PIN	1				
16	31107799	LOWER LINK PIN	2				
17	20539001	LYNCH PIN	3				
18	260098 01	HITCH CAM PLATE	1				
19	20901019	HITCH CAM	2				
20	SCW-1965	SCREW	2				
21							
22							
23	HMA-0057	ADAPTER	2				
24	FIT-0025	ADAPTER	4				
25	HVB-27000	PILOT CHECK VALVE	1				
26	BLTA06320	BOLT	2				
27	NUT-0260	NUT	2				
28	WSH-0009	WASHER	4				
29	HHBE10005	HOSE	3				
30	HHBE05505	HOSE	1				
31	HMA-0065	ADAPTER	2				
32	WSH-1015	BONDED SEAL	2				
33	WSH-1005	BONDED SEAL	4				
34	WSH-1010	BONDED SEAL	2				
35	COU-0162	ORC C/W COVER	2				
36	NIP-00600	GREASE NIPPLE	3				



KIT-26007

Shelbourne Reynolds Engineering Limited

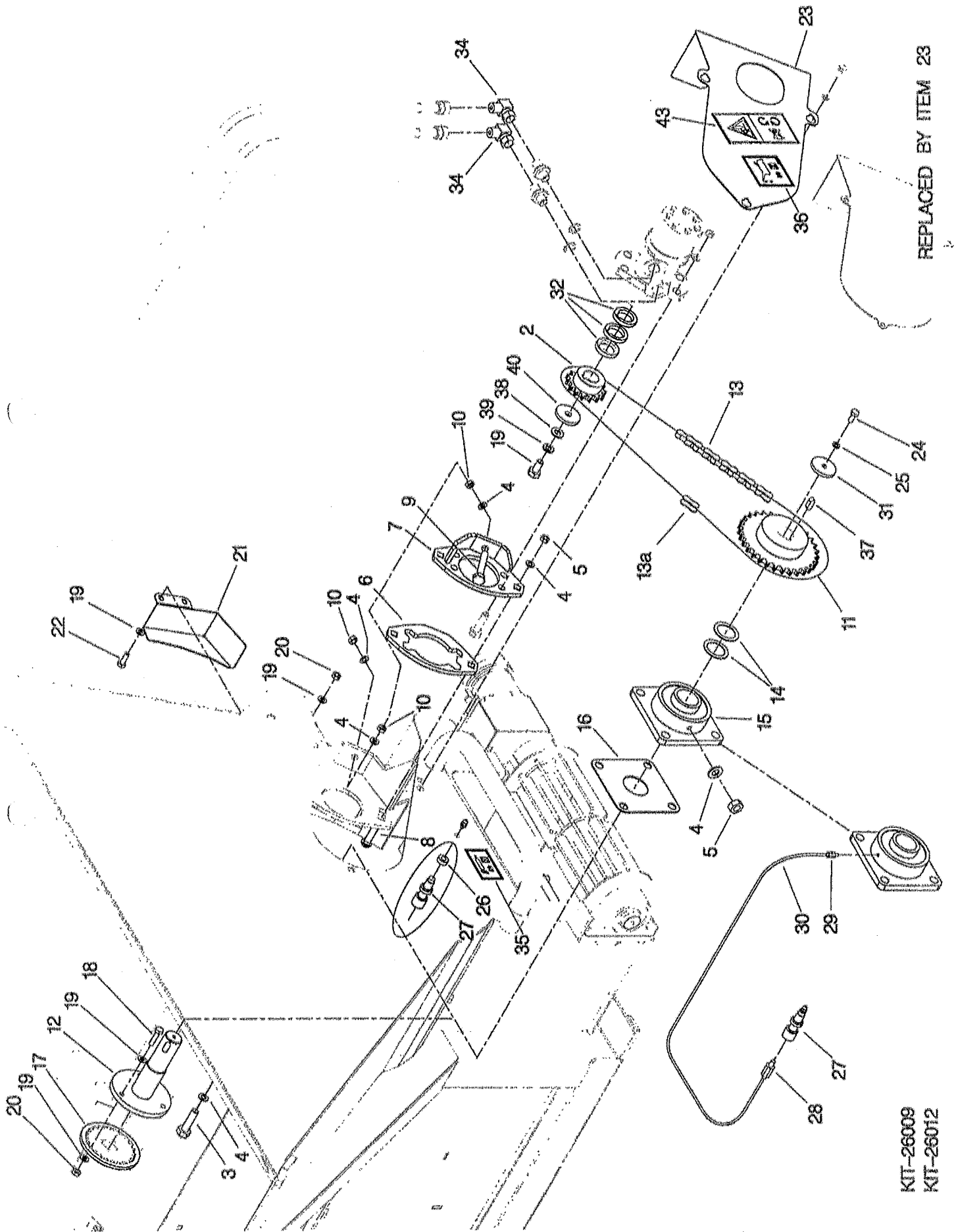
KIT-26008		KIT-26008		KIT-26008		KIT-26008		KIT-26008	
KIT-26008		KIT-26008		KIT-26008		KIT-26008		KIT-26008	
ASSY NUMBER:	ASSY DESCRIPTION:	ASSY DESCRIPTION:	ASSY DESCRIPTION:	ASSY DESCRIPTION:	ASSY DESCRIPTION:	ASSY DESCRIPTION:	ASSY DESCRIPTION:	ASSY DESCRIPTION:	ASSY DESCRIPTION:
ITEM	PART NO	DESCRIPTION	QTY	ITEM	PART NO	DESCRIPTION	QTY	ITEM	QTY
1	260153 01	LOWER MOUNTING PLATE	4						
2	BLT-2334	BOLT	4						
3	WSH-0024	PLAIN WASHER	16						
4	NUT-0180	NYLOC NUT	16						
5	260142 01	CLAMP ASSY	1						
6	260143 01	CLAMP PLATE	2						
7	21708006	TOP LINK PIN	1						
8	31107799	LOWER LINK PIN	2						
9	20539001	LYNCH PIN	3						
10	HSS-0316	SETScrew	12						
11									
12									
13	800212 01	TRANSFER (CHECK CHAINS)	1						



KIT-26008

Shelbourne Reynolds Engineering Limited

KIT-26009		AGITATOR CHAIN DRIVE CONVERSION KIT		
ASSY NUMBER:	DESCRIPTION:	PART NO	DESCRIPTION	QTY
ITEM	PART NO	DESCRIPTION	ITEM	QTY
1	260216 01	SPROCKET	34	1
2	260172 01	SPROCKET	35	1
OR	BLTA12290	BOLT	36	1
3	WSH-0018	PLAIN WASHER	37	1
4	NUT-0269	NYLOC NUT	38	1
5	260147 01	PACKER PLATE	39	1
6	260146 01	MOTOR MOUNT PLATE	40	1
7	BLT-3807	COACH BOLT	41	1
8	HSSA12500	SET SCREW	42	2
9	NUT-0170	PLAIN NUT	43	1
10	260217 01	SPROCKET		3
11	260168 01	SPROCKET		1
11A	K1008025	KEY		1
12	260171 01	DRIVE SHAFT WELD ASSY		1
13	CHN-01995	CHAIN		1
OR	CHN-01684	CHAIN		
13A	CHN-01910	HALF LINK		1
OR	CHN-01600	JOINING LINK		
14	190548 65	WASHER		2
15	BRG-23545	BEARING		1
16	260149 01	BEARING PACKER PLATE		1
17	260170 01	DRIVE JOINING PLATE		1
18	HSS-0152	SET SCREW		3
19	WSH-0012	PLAIN WASHER		13
20	NUT-0263	NYLOC NUT		5
21	260144 01	DRIVE GUARD		1
22	HSS-0145	SET SCREW		2
23	260139 01	COVER PLATE		1
24	HSS-0140	SET SCREW		1
25	WSH-0058	SPRING WASHER		1
26	190548 71	WASHER		1
27	LUB-00036	BULKHEAD ADAPTOR		1
28	LUB-00045	STRAIGHT ADAPTOR		1
29	LUB-00046	STRAIGHT ADAPTOR		1
30	LUB-00044	6mm POLYAMIDE TUBE		.4
31	190548 70	WASHER		1
32	260202 03	SPACER		4
33				

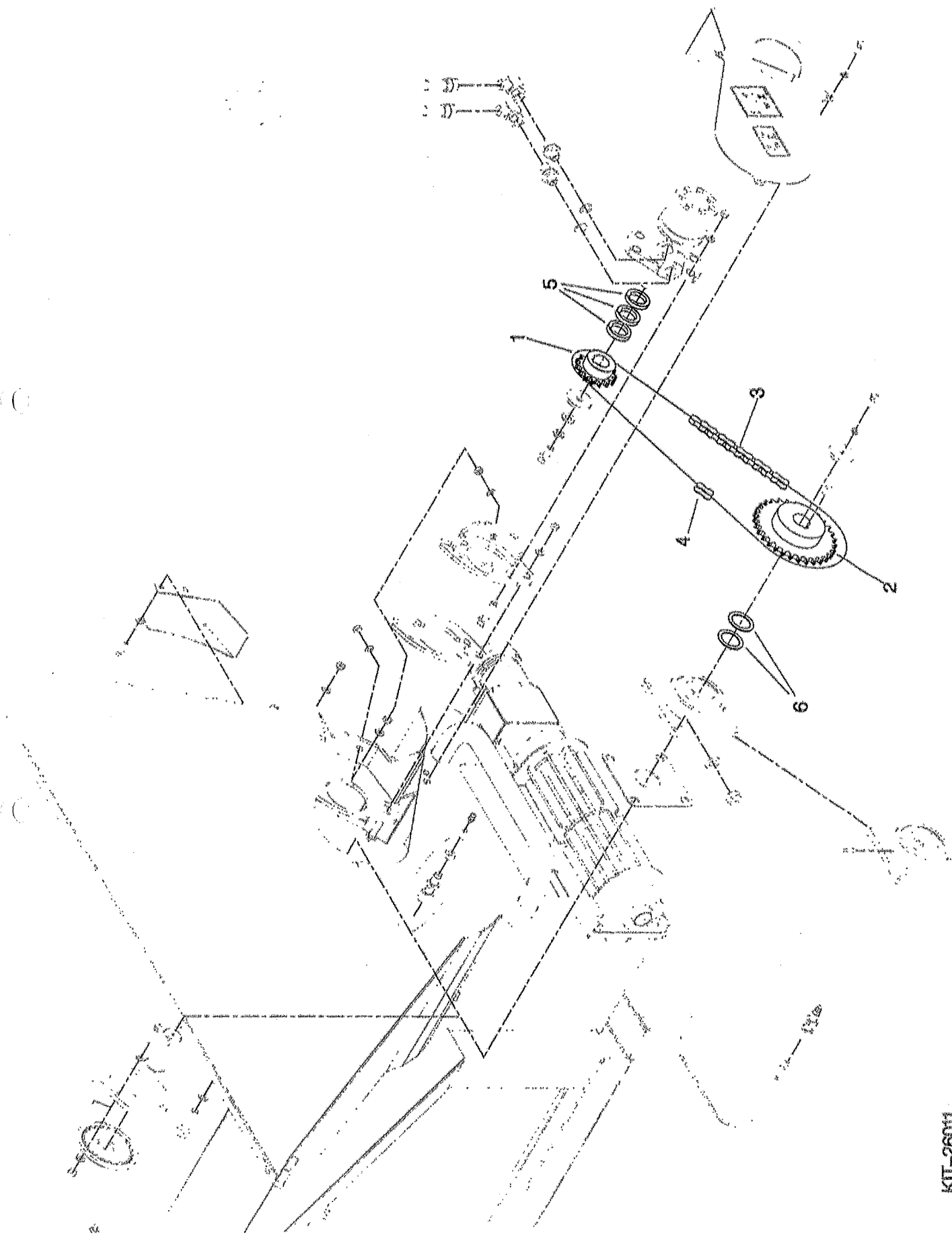


REPLACED BY ITEM 23

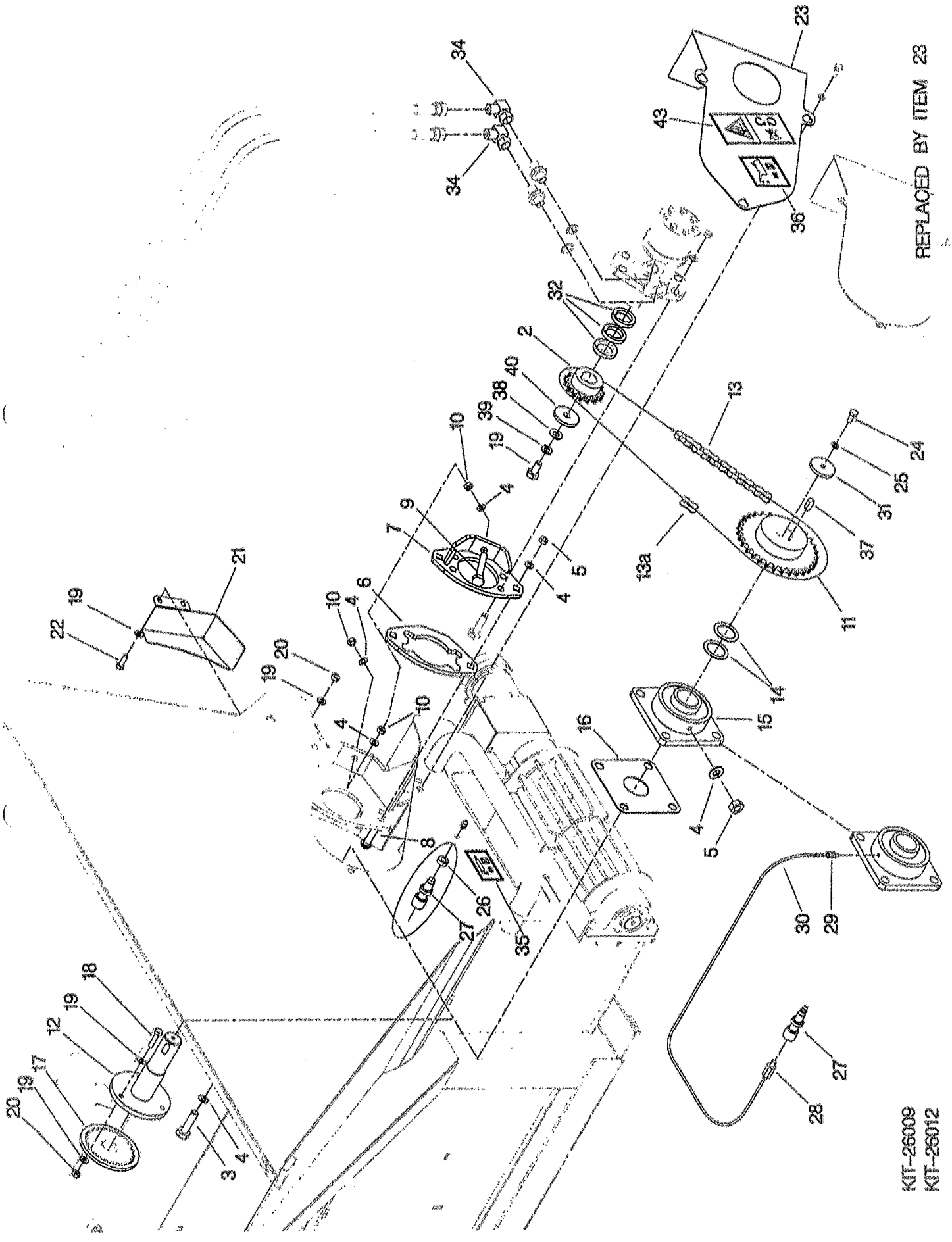
KIT-26009
KIT-26012

Shelbourne Reynolds Engineering Limited

ASSY NUMBER:		KIT-26011		ASSY DESCRIPTION:		CHAIN DRIVE UPGRADE KIT	
ITEM	PART NO	DESCRIPTION	QTY	ITEM	PART NO	DESCRIPTION	QTY
1	260216 01	SPROCKET	1				
2	260217 01	SPROCKET	1				
3	CHN-01995	CHAIN(49 LINKS + JOINER)	1				
4	CHN-01910	HALF LINK	1				
5	260202 03	SPACER	4				
6	190548 65	SPACER(37 I/Dx50 O/D x2)	2				



KT-26011



REPLACED BY ITEM 23

KIT-26009
KIT-26012