



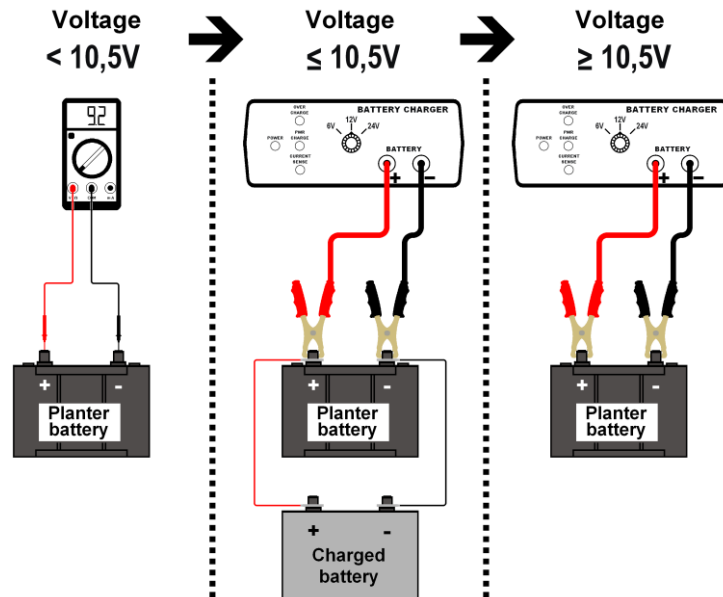
# MONOSEM

## WINTER BATTERY MAINTENANCE



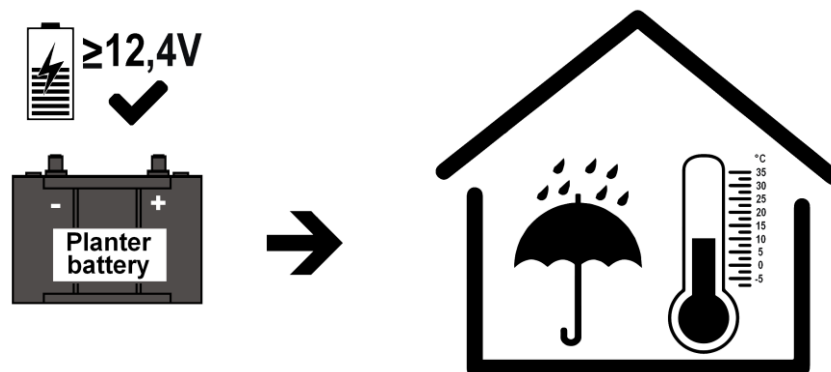
### • OPTIMA BATTERY LOADING :

Check the battery voltage, if the voltage is below  $<10,5\text{v}$  use a regulated charger and follow the following process.



### • OPTIMA BATTERY STORAGE :

During winter time, disconnect the battery from the planter and store it in a temperarized and dry area in order to avoid the voltage leakage. Load the battery before storage and check the voltage every three to six month. Charge the battry if the voltage is below  $<12,4\text{ V}$ .



- **ALTERNATOR CLEANING :**

Before the winter storage we advise you to check visually the good cleanness of the alternator. We advise you to clean it with an air blower.

During season, depending to the conditions (dust, trash, ...) check the alternator tidiness, and clean it if necessary.

