



*The effective technology*

# CATALOGUE OF SPARE PARTS

## SHARE STUBBLE PLOUGH G (GX) – 550 NS



### **Farmet a.s.**

Jirinkova 276  
552 03 Ceska Skalice  
Czech Republic

Tel: 00420 491 450 140

00420 491 450 122

Fax: 00420 491 450 136

E-mail: [farmet@farmet.cz](mailto:farmet@farmet.cz)  
[nd@farmet.cz](mailto:nd@farmet.cz)

http: [www.farmet.cz](http://www.farmet.cz)



Dear Customer,

all spare parts necessary for repairing your machine should be ordered according to this catalogue.

The manufacturer **is not responsible** for proper behaviour and safety of the machine if **parts not manufactured or approved by Farnet a.s. Ceska Skalice will be used for the machine repairs.**

**👉👉 When ordering spare parts, please follow these instructions:**

**A)** Specify the model and serial number of the machine (Tab. 1)

**B)** State the catalogue (reference) number of the part, its description and the quantity required. (Please distinguish and specify the left or the right model of such a part where applicable).

Table 1

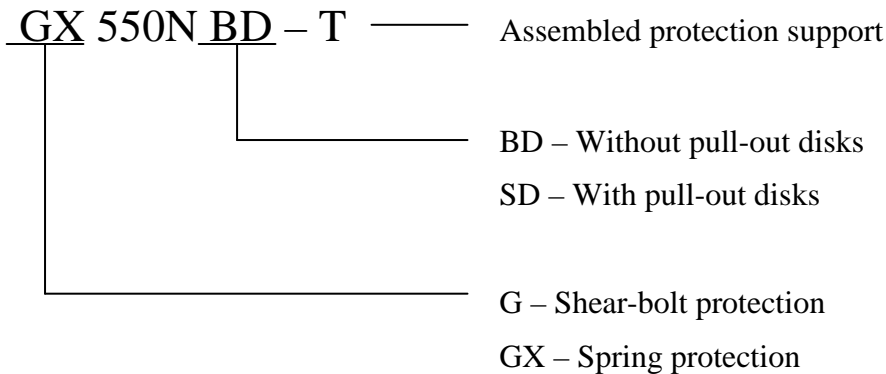
<b>MACHINE TYPE</b>	
<b>MACHINE SERIAL NUMBER</b>	
<b>SPECIAL MODEL OR ACCESSORIES</b>	
.....	
.....	
.....	
.....	
.....	

**An Order Example:**

**Machine:** GX 550NS  
**Serial Number:** 2009/0121  
**Part Description:** Frog  
**Catalogue Number:** 4000044  
**Quantity:** 1

- TABLE OF CONTENTS		Page(s) 3
- SHARE STUBBLE PLOUGH G(GX) 550 N		Page(s) 4 – 8
- PULL-OUT DISKS L+R (Complete)	<b>9001102</b>	Page(s) 9
- PROTECTION SUPPORT – STIRRUP	<b>9001104</b>	Page(s) 9 - 10
- FROG WITH A SHARE	<b>3000043</b>	Page(s) 10
- LATERAL FROG WITH A SHARE L+R	<b>3000122</b>	Page(s) 11
- ROLLER + FRAME 99` (2681) – mount.	<b>3001680</b>	Page(s) 11 - 12
- ROLLER + FRAME 99` (1351) – mount.	<b>3001715</b>	Page(s) 12
- FRONT DISK	<b>3000033</b>	Page(s) 12
- REAR DISK	<b>3000036</b>	Page(s) 13
- DUPLEXED DISK	<b>3000027</b>	Page(s) 13
- DISK BEARING BUSH		Page(s) 14
- SPRING PROTECTION	<b>2000187</b>	Page(s) 14 - 15
- REAR PLATES I. L+R	<b>3001110</b>	Page(s) 15

**\* Legend:**



**9301069 G 550NS BD\* – mount.**

Position/Catalogue no	Part Description	Standard	Quantity
1	9001120	FRAME G550+ROLLER 99° mount.	pc 1
2	1000088	G 550 BASIC - mount.	pc 1
7	9001105	Shear bolt -mount.	pcs 13
8	5683	PLASTIC PLUG 100x100x5	-8 typ 056 - pcs 2
9	4002310	INDEX PLATE G 550 NS 99°	self-adhesive pc 1

**9301070 GX 550NS BD\* – mount.**

Position/Catalogue no	Part Description	Standard	Quantity
1	9001121	FRAME GX550+ROLLER 99° mount.	pc 1
2	1000088	G 550 BASIC - mount.	pc 1
3	2000187	SPRING PROTECTION I. mount.	pcs 13
4	9001103	Protection-bolt conn. 99	pcs 13
8	5683	PLASTIC PLUG 100x100x5	-8 typ 056 - pcs 2
9	4002315	GX 550 NS 99° INDEX PLATE	self-adhesive pc.1

**9301071 GX 550NS BD – T\* - mount.**

Position/Catalogue no	Part Description	Standard	Quantity
1	9001120	FRAME G550+ROLLER 99° mount.	pc 1
2	1000088	G 550 BASIC - mount.	pc 1
3	2000187	SPRING PROTECTION I. mount.	pcs 13
4	9001103	Protection-bolt conn. 99	pcs 13
6	9001104	Protection support - Stirrup 99	pcs 13
8	5683	PLASTIC PLUG 100x100x5	-8 typ 056 - pcs 2
9	4002315	GX 550 NS 99° INDEX PLATE	self-adhesive pc.1

**9301078 G 550NS SD\* – mount.**

Position/Catalogue no	Part Description	Standard	Quantity
1	9001120	FRAME G550+ROLLER 99° mount.	pc 1
2	1000088	G 550 BASIC - mount.	pc 1
5	9001102	Pull-out disks L+R – compl. 99	pc 1
7	9001105	Shear bolt -mount.	pcs 13
9	4002310	INDEX PLATE G 550 NS 99°	self-adhesive pc 1

**9301079 GX 550NS SD\* – mount.**

Position/Catalogue no	Part Description	Standard	Quantity
1	9001121	FRAME GX550+ROLLER 99° mount.	pc 1
2	1000088	G 550 BASIC - mount.	pc 1

Position/Catalogue no	Part Description	Standard	Quantity
3	2000187	SPRING PROTECTION I. mount.	pcs 13
4	9001103	Protection-bolt conn. 99	pcs 13
5	9001102	Pull-out disks L+R – compl. 99	pc 1
9	4002315	INDEX PLATE GX 550 NS 99`	self-adhesive pc 1

### 9301080 GX 550NS SD – T \*- mount.

Position/Catalogue no	Part Description	Standard	Quantity
1	9001120	FRAME G550+ROLLER 99` mount.	pc 1
2	1000088	G 550 BASIC - mount.	pc 1
3	2000187	SPRING PROTECTION I. mount.	pcs 13
4	9001103	Protection-bolt conn. 99	pcs 13
5	9001102	Pull-out disks L+R – compl. 99	pc 1
6	9001104	Protection support - Stirrup 99	pcs 13
9	4002315	INDEX PLATE GX 550 NS 99`	self-adhesive pc 1

### 9001120 FRAMES G 550 + ROLLERS WITH A FRAMES 99

Position/Catalogue no	Part Description	Standard	Quantity
1	9001113	CENTRAL FRAME G 550 - 99` - VARNISHED.	pc 1
2	9001115	SIDE FRAME G550 L+P – VARNISHED. ONE LEFT + ONE RIGHT PIECE	pcs 2
3	3001680	ROLLER WITH A FRAME 99`(2861)	pc 1
4	3001715	ROLLER WITH A FRAME 99`(1351)	pcs 2

### 9001121 FRAMES GX 550 + ROLLERS WITH A FRAMES 99

Position/Catalogue no	Part Description	Standard	Quantity
1	3001713	CENTRAL FRAME GX 550 - 99`	pc 1
2	3001711	SIDE FRAME GX550 99` L+P ONE LEFT + ONE RIGHT PIECE	pcs 2
3	3001680	ROLLER WITH A FRAME 99`(2861)	pc 1
4	3001715	ROLLER WITH A FRAME 99`(1351)	pcs 2

### 1000088 G 550 BASIC – mount.

Position/Catalogue no	Part Description	Standard	Quantity
1	3000122	LATERAL FROG WITH A SHARE L+R ONE LEFT + ONE RIGHT PIECE	pcs 2
2	3000043	FROG WITH A SHARE	pcs 11
3	3000023	REAR FRAME BEAM	pcs 6
4	3000027	DUPLEXED DISK	pcs 5
5	3001700	REAR PLATES L+R 99` - mount. ONE LEFT + ONE RIGHT PIECE	pcs 2

Position/Catalogue no	Part Description	Standard	Quantity	
6	3001210	TRIANGULAR PLATE WITH A HOLDER	pc 1	
8	4001344	DISTANCE TUBE BSK-300	pcs 6	
9	4000035	CROSS BAR	pcs 6	
10	4001506	CROSS BAR KR 30 / 20.5	pcs 7	
11	3000033	FRONT DISK	pc 1	
12	3000036	REAR DISK	pc 1	
13	4002291	FORK I. 99`	pcs 2	
14	4002290	FORK II. 99`	pcs 2	
15	4000037	REGULATOR PIN	pcs 6	
16	4002254	PIN diameter 25 - 124	pcs 6	
18	4000039	THIRD-POINT II. PIN - -welded	pc 1	
20	4001503	PIN diameter 16h11 - 60 welded	pcs 7	
21	4000040	REAR-FRAME STIRRUP	pcs 12	
22	4000042	JOINT PIN	pcs 8	
23	4001424	PULL-ROD PIN BSK 600, 450	pcs 4	
24	4002288	LOCKING PIN G(GX) 99`	pcs 4	
25	3000072	CLAMP	pc 1	
27	4000115	FLOW LIMITER DN8	pcs 2	
28	3000077	SUSPENSION I PIN	pcs 2	
29	4001425	FRICITION WASHER 75/30.5/4	pcs 2	
30	5647	SCREW M 20x80	CSN021101	pcs 13
31	5345	SCREW M 20/150	CSN021103.50	pcs 6
32	0144	SCREW M 16/120	CSN021101.50	pcs 6
33	1306	NUT 16	CSN021401.00	pcs 37
34	0626	SCREW M 16/70	CSN021103.50	pcs 7
35	1307	NUT M 20	CSN 021401	pcs 6
36	1219	WASHER 17	CSN021702.10	pcs 50
38	1223	WASHER 26	CSN021702.10	pcs 10
39	2157	WASHER 16	CSN021740.00	pcs 37
40	5648	LOCK NUT 20	CSN021492	pcs 13
42	2470	LOCK COTTER PIN diameter4,5/diameter36		pcs 23
43	2505	PIN WITH A RING diameter40		pcs 3
44	2867	WASHER 33	CSN021702.10	pc 1
45	1097	SCREW M 8/40	CSN021103.55	pc 1
46	2531	SCREW M 5/20	CSN021151.00	pcs 4
47	1296	NUT M 8	CSN021401.00	pc 1
48	2866	WASHER 31	CSN021702.10	pcs 24
49	1185	COTTER PIN 8/50	CSN021781.00	pcs 24
50	2579	ORANGE REFLECTOR		pcs.2
51	2498	WHITEREFLECTOR		pcs.2
70	4024	ANGLE EXTENSIDION n.d. 08-90	o.c.660901	pcs 4
71	4399	STRAIGHT NECK M27x16 outer		pcs 4
72	3889	COUPLING T10L M16x1,5		pcs 2

Position/Catalogue no	Part Description	Standard	Quantity	
73	3849	PLUG ISO -12.5 M 16 ( MALE)	o.c.411016	pcs 2
74	3713	PRESSURE HOSE DN 8x630		pcs 2
75	3952	PRESSURE HOSE DN 8x1400		pcs 2
76	0808	PP 80 GEAR OIL	111214070010	1 3.5
77	0124	QUICK COUPLER PLUG HOLDER	o.c.6100	pcs 2
78	4326	SEALING RING 32x27x2 CU		pcs 4
79	3743	DUST PLUG ISO - BLUE ( MALE)		pc 1
		TO BE PLACED TO THE "VYSOUVÁNÍ" (SHIFT OUT) FUNCTION		
80	4034	DUST PLUG ISO – WHITE ( MALE)		pc 1
		TO BE PLACED TO THE "ZASOUVÁNÍ" (SHIFT IN) FUNCTION		
81	3951	PRESSURE HOSE Dn 8x1000		pcs 2
82	9000258	PISTON ROD 100/45/400		pcs 2
		ONE LEFT + ONE RIGHT PIECE		
100	3315	SLOPE ACCESSIBILITY STICKER 11		pcs 2
101	3320	LUBRICATION POINT STICKER		pcs 12
102	4356	FARMET STICKER 70/170		pcs 5
103	3316	SUSPENSION POINT STICKER		pcs 4
104	4357	FARMET STICKER 55/135		pcs 4
105	4359	STICKER P 1 H		pcs 4
106	4366	STICKER P 2 H		pcs 2
107	4361	STICKER P 4 H		pcs 4
108	4365	STICKER P 37 H		pcs 4
109	4369	STICKER P 53 H		pcs 4
110	4368	STICKER P 20 H		pcs 4
111	4367	STICKER P 50 H		pcs 4
120	5367	STICKER CZ		pc 1
121	3317	MAX. SPEED STICKER 15		pc 1

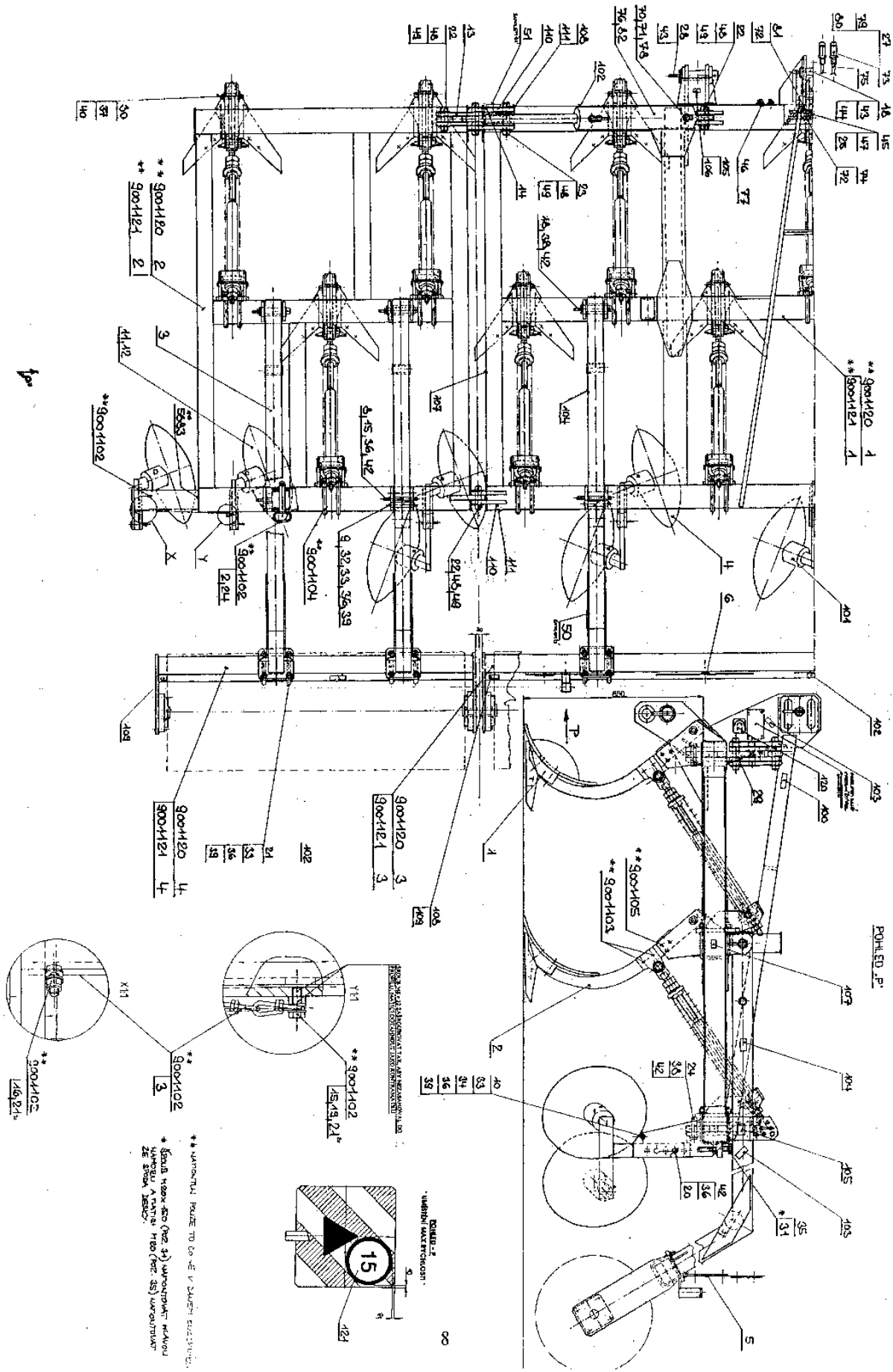
## 9001105 SHEAR BOLT – mount. material

Position/Catalogue no	Part Description	Standard	Quantity	
1	4818	SCREW M 12/80	CSN021101.25	pc 1
2	1305	NUT M 12	CSN021401.00	pc 1
3	1214	WASHER 13	CSN021702.10	pc 1

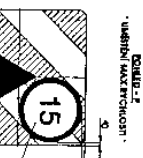
## 9001103 SPRING PROTECTION – bolted connection

Position/Catalogue no	Part Description	Standard	Quantity	
1	2831	SCREW M 12/90	CSN021101.00	pcs 2
2	1305	NUT M 12	CSN021401.00	pcs 2
3	1214	WASHER 13	CSN021702.10	pcs 2
4	1213	WASHER 12	CSN021740.00	pcs 2

# SHARE STUBBLE PLOUGH G (GX) 550NS



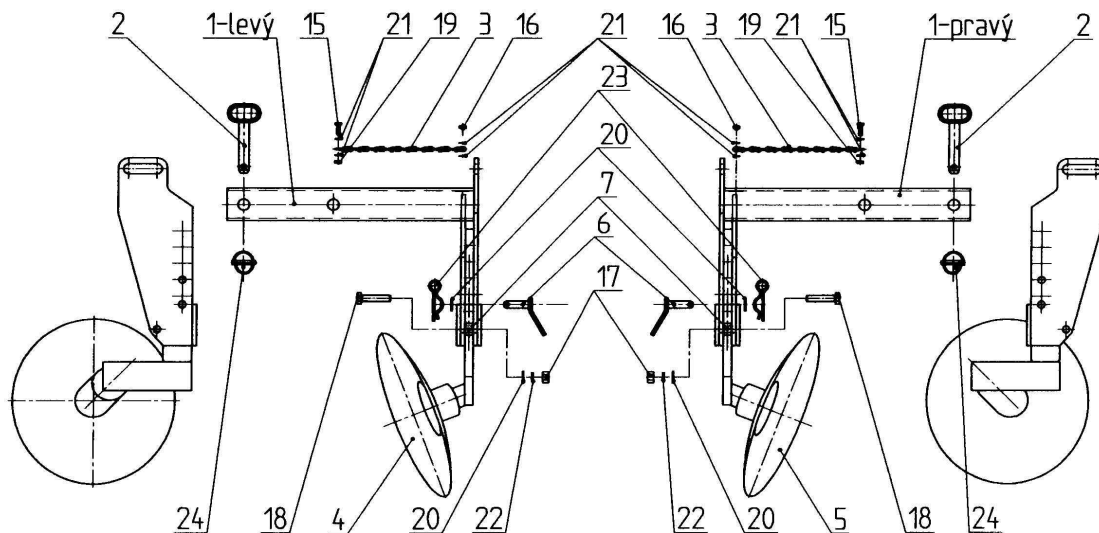
\*\* УКАЗАНИЕ ПУЛЕ ТО ЧИ - Е У СЛЪЖИ ЗАЩИЩАВА  
\* ГОДИ НАС - ЕТО (ВЕЗ. 4) УКАЗАНИЕ НА ПУЛО  
НА ПУЛО А НА ПУЛО 150 (ВЕЗ. 85) УКАЗАНИЕ  
ЗА ПУЛО 150 (ВЕЗ. 85)



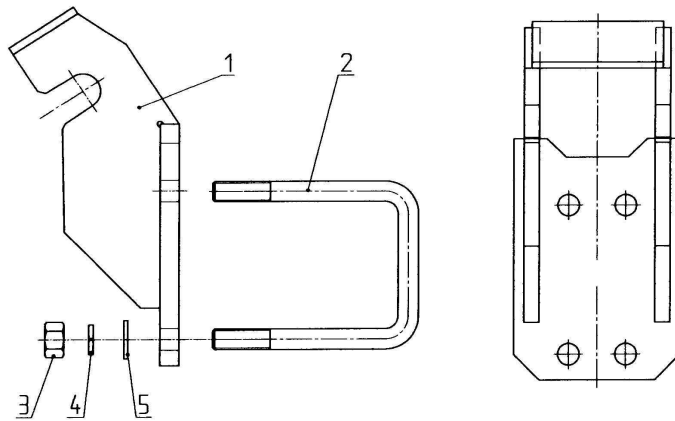


**9001102 PULL-OUT DISKS L+R - compl.**

Position/Catalogue no	Part Description	Standard	Quantity	
1	3001639	PULL-OUT FRAME 99 L+R-welded	pcs 2	
2	4000495	PIN-STOP diameter25 – welded	pcs 2	
3	9000270	CHAIN 3.4x46x13.8	pcs 2	
4	3000033	FRONT DISK	pc 1	
5	3000036	REAR DISK	pc 1	
6	4001503	PIN diameter16h11 - 60 welded	pcs 2	
7	4001506	SPACER KR 30 / 20.5	pcs 2	
15	1090	SCREW M 8/22	CSN021103.50	pcs 2
16	4503	NUT M8	CSN021492.20 self-protecting	pcs 2
17	1306	NUT M 16	CSN021401.00	pcs 2
18	0626	SCREW M 16/70	CSN021103.50	pcs 2
19	1296	NUT M 8	CSN021401.00	pcs 2
20	1219	WASHER 17	CSN021702.10	pcs 4
21	1203	WASHER 8.4	CSN021702.10	pcs 8
22	2157	WASHER 16	CSN021740.00	pcs 2
23	2470	LOCK COTTER PIN diameter 4.5/diameter 36	pcs 2	
24	2505	PIN WITH A RING diameter40	pcs 2	

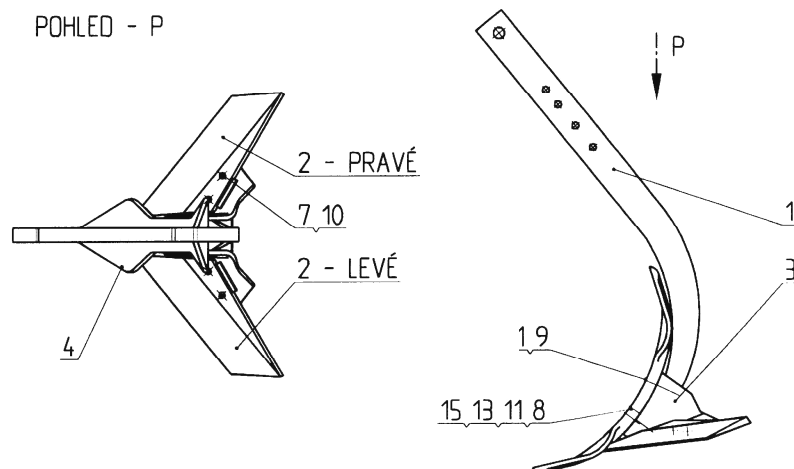
**9001104 PROTECTION SUPPORT – STIRRUP 99`**

Position/Catalogue no	Part Description	Standard	Quantity	
1	3001208	SPRING SUPPORT II.	pc 1	
2	3000352	STIRRUP M 16	pcs 2	
3	1306	NUT M 16	CSN021401.00	pcs 4
4	1219	WASHER 17	CSN021702.10	pcs 4
5	2157	WASHER 16	CSN021740.00	pcs 4



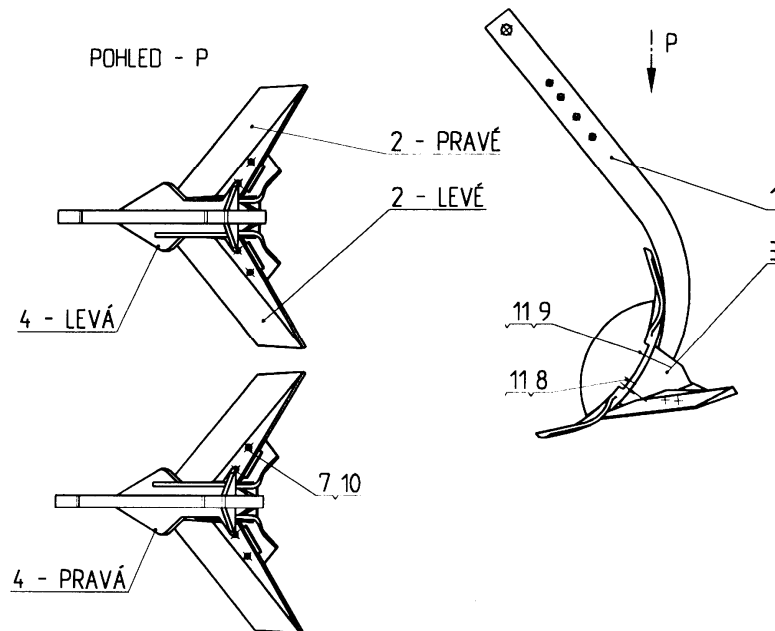
### 3000043 FROG WITH A SHARE

Position/Catalogue no	Part Description	Standard	Quantity	
1	4000044	FROG	pc 1	
2	9000914	CULTIVATOR WING L+R ONE LEFT + ONE RIGHT PIECE	pcs 2	
3	3000045	CUTTING EDGE HOLDER	pc 1	
4	3000137	CENTRAL POINT (CAST)	pc 1	
7	2564	SCREW M 10/30	CSN021326.55	pcs 4
8	2565	SCREW M 12/70	CSN021326.55	pc 1
9	2631	SCREW M 12/80	CSN021326.55	pc 1
10	5693	NUT M 10 with a collar	DIN 6923	pcs 4
11	6233	LOCK NUT M 12 – all-metal	DIN 980	pcs 2



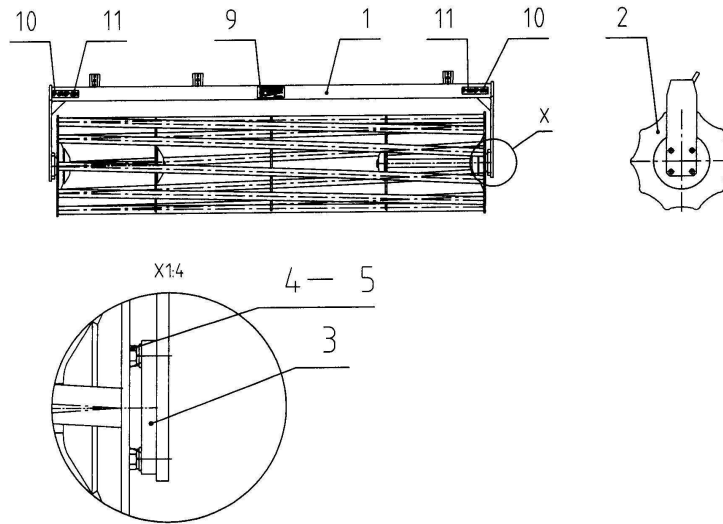
## 3000122 LATERAL FROG WITH A SHARE L+R

Position/Catalogue no	Part Description	Standard	Quantity	
1	4000044	FROG	pc 1	
2	9000914	CULTIVATOR WING L+R	pcs 2	
ONE LEFT + ONE RIGHT PIECE				
3	3000045	CUTTING-EDGE HOLDER	pc 1	
4	3000123	POINT WITH A GUIDE L+R	pc 1	
7	2564	SCREW M 10/30	CSN021326.55	pcs 4
8	2565	SCREW M 12/70	CSN021326.55	pc 1
9	2631	SCREW M 12/80	CSN021326.55	pc 1
10	5693	NUT M 10 with a collar	DIN 6923	pcs 4
11	6233	LOCK NUT M 12 – all-metal	DIN 980	pcs 2



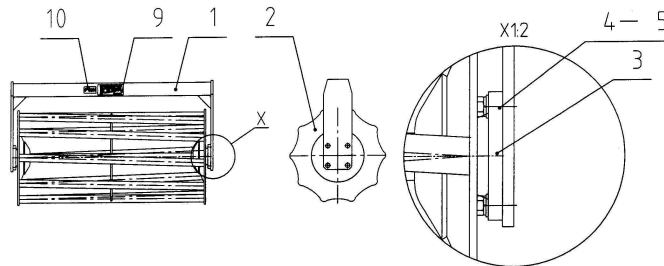
## 3001680 ROLLER + FRAME 99` (2681) – mount.

Position/Catalogue no	Part Description	Standard	Quantity	
1	3000007	CENTRAL HARROW. FRAME 03	pc 1	
2	3001647	CENTRAL ROLLER 99` (2681)	pc 1	
3	2825	BEARING UCFG 208	pcs 2	
4	3519	SCREW M 12/45	CSN021326.55	pcs 8
5	5694	NUT M 12 - with a collar	DIN 6923	pcs 8
9	4357	FARMET STICKER 55/135		pcs 1
10	4365	STICKER P 37 H		pcs 2
11	4369	STICKER P 53 H		pcs 2



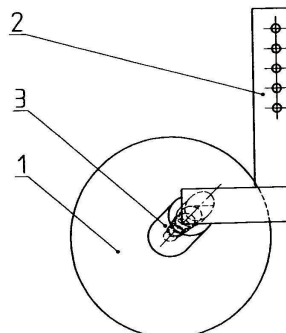
**3001715 ROLLER + FRAME 99` (1351) – mount.**

Position/Catalogue no	Part Description	Standard	Quantity
1	400080 REAR OUTSIDE FRAME II.		pc 1
2	3001714 SIDE ROLLER 99` (1351)		pc 1
3	2825 BEARING UCFG 208		pcs 2
4	3519 SCREW M 12/45	CSN021326.55	pcs 8
5	5694 NUT M 12 - with a collar	DIN 6923	pcs 8
9	4357 FARMET STICKER 55/135		pc 1
10	4369 STICKER P 53 H		pc 1



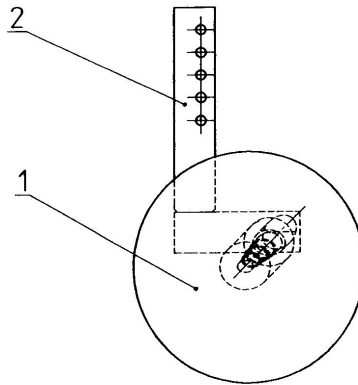
**3000033 FRONT DISK**

Position/Catalogue no	Part Description	Standard	Quantity
1	3000028 DISK		pc 1
2	3000034 FRONT DISK BEAM		pc 1
3	3001092 BEARING BUSH		pc 1

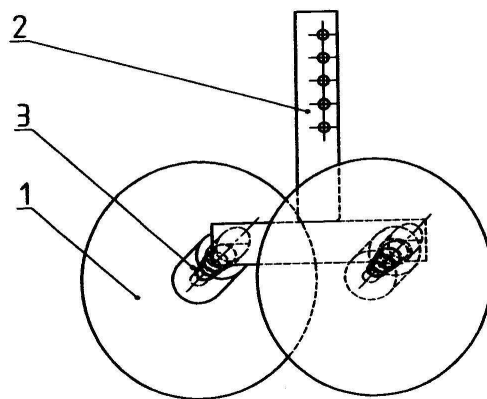


**3000036 REAR DISK**

Position/Catalogue no	Part Description	Standard	Quantity
1	3000028	DISK	pc 1
2	3000037	REAR DISK BEAM	pc 1
3	3001092	BEARING BUSH	pc 1

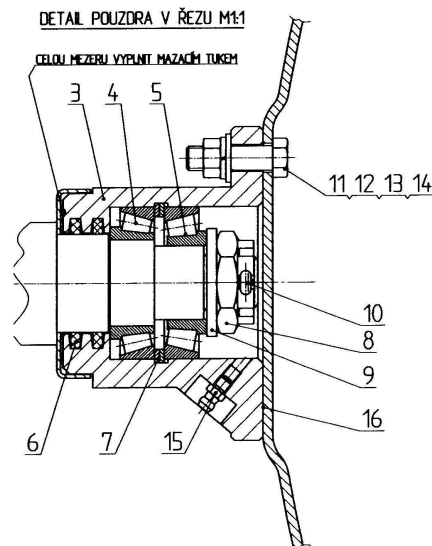
**3000027 DUPLEXED DISK**

Position/Catalogue no	Part Description	Standard	Quantity
1	3000028	DISK	pcs 2
2	3000029	DUPLEXED DISK BEAM	pc 1
3	3001092	BEARING BUSH	pcs 2



## DISK BEARING BUSH

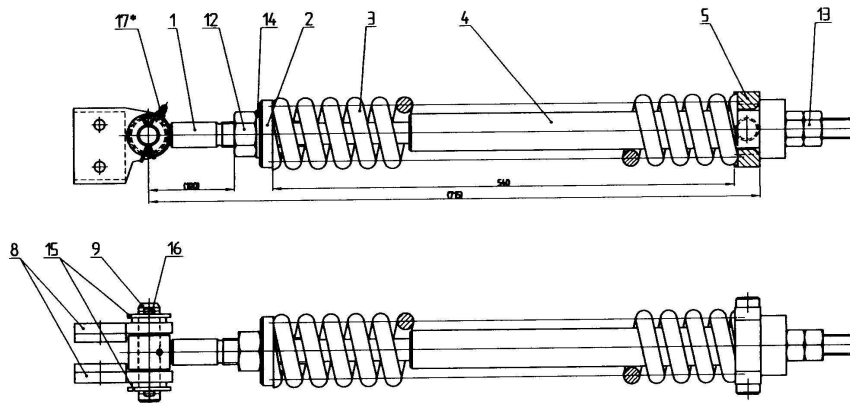
Position/Catalogue no	Part Description	Standard	Quantity	
4	3222	Bearing 32007 AX	pc 1	
5	3223	BEARING 30206	pc 1	
6	3247	FELT RING 53/40/5	pcs 2	
7	2850	RING 62	CSN022931	pcs 2
8	3218	NUT M 24/2	CSN021412.20	pc 1
9	1223	WASHER 26	CSN021702.10	pc 1
10	1659	COTTER PIN 4/36	CSN021781.00	pc 1
11	4613	SCREW M 10/35	CSN021101.05	pcs 5
12	1299	NUT M 10	CSN021401.00	pcs 5
13	1209	WASHER 10,5	CSN021702.10	pcs 5
14	1208	WASHER 10	CSN021740.00	pcs 5
15	1725	LUBRICATOR $\phi$ 6	pc 1	
16	4138	PAPER GASKET GRUBBER	pc 1	



## 2000187 SPRING PROTECTION

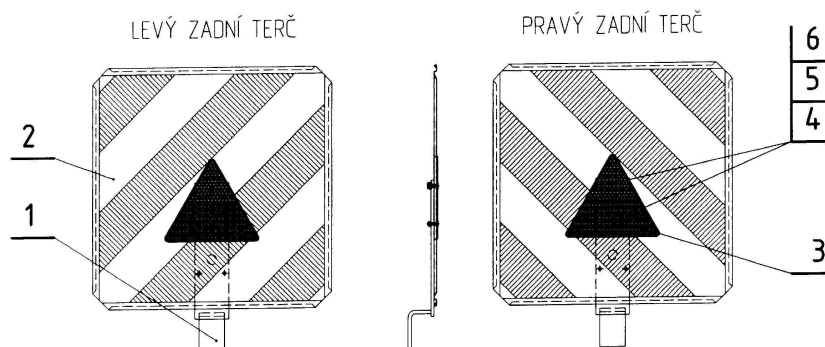
Position/Catalogue no	Part Description	Standard	Quantity	
1	3001200	SPRING PULL ROD I.	pc 1	
2	4000023	RING	pc 1	
3	3000015	PROTECTION SPRING	pc 1	
4	3001006	BSK GUIDE	pc 1	
5	3000714	BSK CUBE	pc 1	
8	3001205	FROG LUG WITH A REINFORCEMENT. L+R ONE LEFT + ONE RIGHT PIECE	pcs 2	
9	4001560	PIN diameter 25/114 HARDENED	pc 1	
12	1309	NUT M 30	CSN021401.20	pc 1

Position/Catalogue no	Part Description	Standard	Quantity	
13	1308	NUT M 24	CSN021401.50	pc 1
14	2866	WASHER 31	CSN021702.10	pc 1
15	1223	WASHER 26	CSN021702.10	pcs 2
16	1183	COTTER PIN 6.3/40	CSN021781.00	pcs 2
17	5670	LUBRICATOR M 8/1 45°	CSN 027422	pc 1



### 3001110 REAR PLATES I. L + R

Position/Catalogue no	Part Description	Standard	Quantity	
1	4001392	PLATE HOLDER L+R II.- welded	pc 1	
2	4002752	METAL-SHEET WARNING PLATE – mount.	pc 1	
3	2497	TRIANGULAR REFLECTOR	pc 1	
4	2531	SCREW M 5/25	CSN 021151.25	pcs 2
5	6236	LOCK NUT M 5	CSN 021492.25	pcs 2
6	4164	WASHER 5.1	CSN 021702.05	pcs 2



Issued by: Technical Department, Farnet a.s., Jiřínková 276, 552 03 Česká Skalice, on 25.02.2009,  
total number of pages: 15, changes reserved.