

**Saker**

**SK**



[www.alpego.com](http://www.alpego.com)

**ALPEGO S.r.l.**

Via Torri di Confine, 6 | 36053 Gambellara (Vicenza) Italy

Tel. +39 0444 646100 | Fax +39 0444 646199 | [info@alpego.com](mailto:info@alpego.com)

COD. FISC. | P.IVA IT02009840246

Copyright © 2009 Alpego srl ®

Tutti i diritti sono riservati. È vietata espressamente la ristampa o l'uso non autorizzato senza permesso scritto dalla Alpego srl  
Tous droits réservés. Toute réimpression ou utilisation non autorisée sans la permission écrite de la Alpego srl est formellement interdite  
Alle Rechte vorbehalten. Nachdruck, Vervielfältigung und Verbreitung, auch auszugsweise, ist ohne schriftliche Genehmigung der Alpego srl  
All rights reserved. Any reprinting or unauthorized use without the written permission of Alpego srl is expressly prohibited  
Todos los derechos reservados. Toda reproducción o uso no autorizado sin el consentimiento escrito de Alpego srl quedan expresamente prohibidos

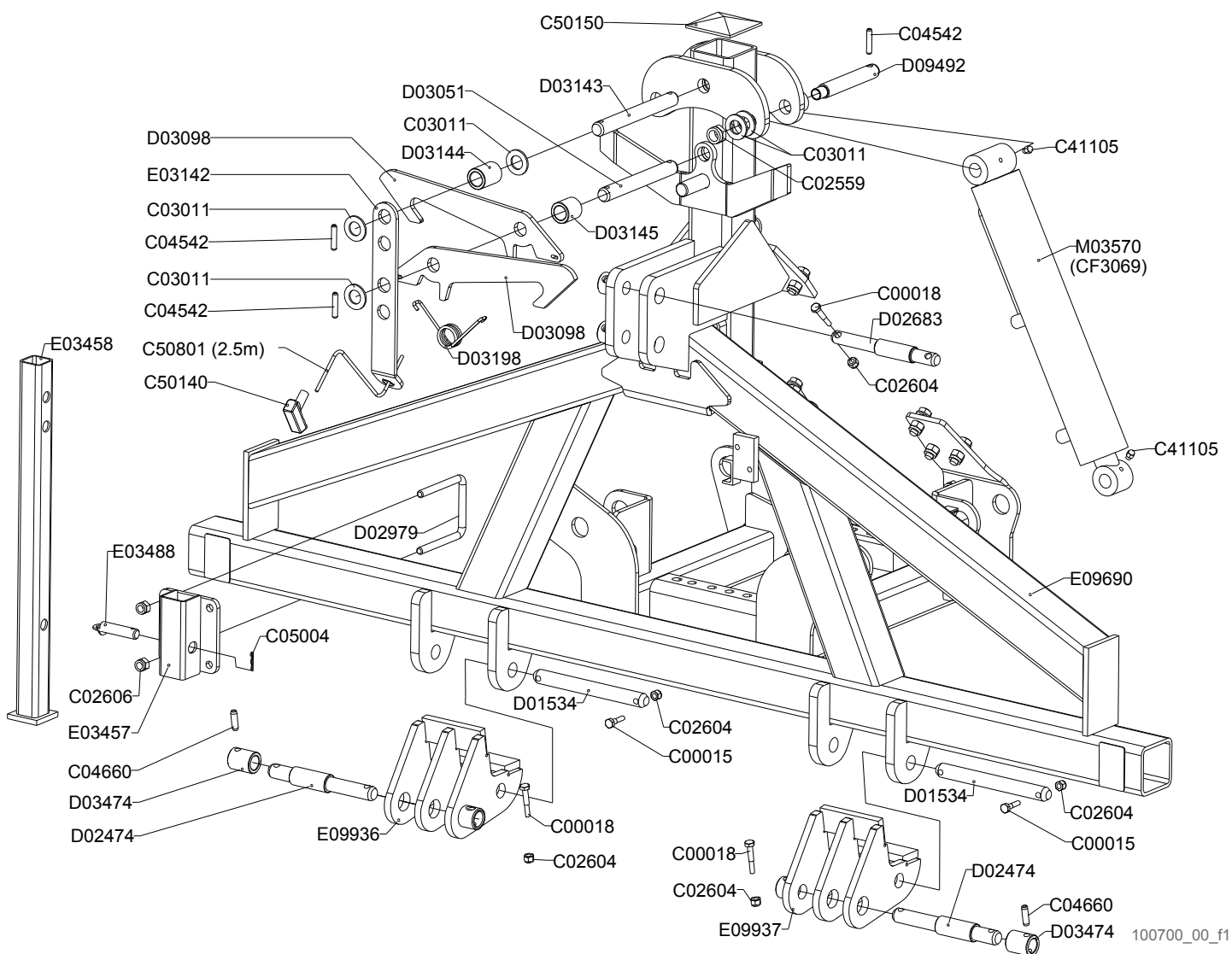
Stampato il 19/11/2010

Telaio centrale anteriore

Central frame

Chassis central

Mitten rahmen



100700\_00\_f1


**SK**

 Tavola - Drawing  
 Table - Bild

**100700\_0\_f1**
**Telaio centrale anteriore**

Central frame

Chassis central

Mitten rahmen

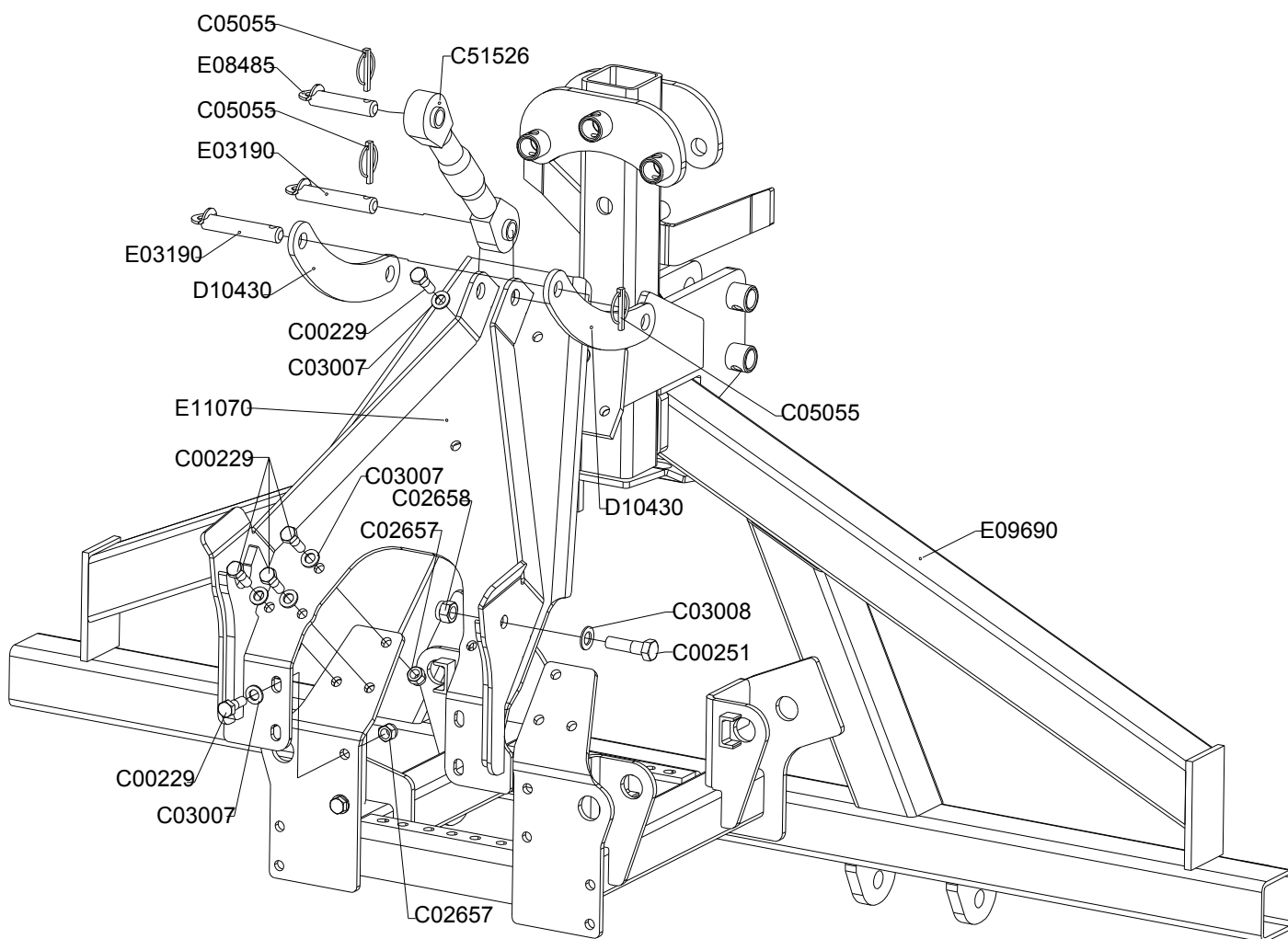
N°	Cod.	Descrizione / Description	GB	FR	D	E
#	C00015	VITE TE 88 PG FP M10X40 ZINC UNI 5737	SCREW	VIS	SCHRAUBE	TORNILLO
#	C00018	VITE TE 88 PG FP M10X60 ZINC UNI 5737	SCREW	VIS	SCHRAUBE	TORNILLO
#	C02559	DADO AUTOBLOC BASSO 8 PF M22X1,5	NUT	BOULONS	NUT	DADO
#	C02604	DADO AUTOBLOC ALTO 8 M10	NUT	BOULONS	NUT	DADO
#	C02606	DADO AUTOBLOC ALTO 8 M14	NUT	BOULONS	NUT	DADO
#	C03011	RONDELLA PIANA D.28 DIN125-A ZINC.	WASHER	RONDELLE	UNTERLEGSSCHEIBE	ARANDELLA
#	C04542	SPINA ELASTICA D.10X50 ZINCATA E DEIDROG	SOCKET	GOUPILLE	STECKER	PASADOR
#	C04660	SPINA SPIROL D.12X40	SOCKET	GOUPILLE	STECKER	PASADOR
#	C05004	SPINA A MOLLA D.4	SOCKET	GOUPILLE	STECKER	PASADOR
#	C41105	INGRASSATORE M10X1 DIRITTO	GREASE NIPPLE	GRAISSOR	FETTBUECHSE	ENGRASADOR
#	C50140	IMPUGNATURA TIRANTE FORO D.6	-	-	-	-
#	C50150	TAPPO LAMIERA PER TUBO Q.100X100	PLUG	BOUCHON	STOEPSSEL	ENCHUFE
#	C50801	CORDA D.6 (BIANCA) ROT.300MT.35G/M	ROPE	CORDE	SEIL	CUERDA
#	CF3069	SERIE GUARNIZIONI CIL. M03570 D.85 D.40 (REBOS	SERIES	SERIE	SERIE	SERIE
#	D01534	PERNO D.28X224 UT.2 FORI D.11ZINC	PIN	PIVOT	STIFT	PIN
#	D02474	PERNO AT.TRAT.D.36/28X247 BONIF+ZINC***	PIN	PIVOT	STIFT	PIN
#	D02683	PERNO D.32/25X247 BONIF.+ZINC***	PIN	PIVOT	STIFT	PIN
#	D02979	CAVALLOTTO QUADRO M14 T100X100X135	PIN	CAVALLIER	STIFT	Cavallotti
#	D03051	PERNO D.28X194 UT. 2 FORI D.10 ZINC***	PIN	PIVOT	STIFT	PIN
#	D03098	GANCIO DI SICUREZZA DM-DF4 10MM	HOOK	ATTACHE	HAKEN	ENGANCHE
#	D03143	PERNO D.28X216 UT. 2 FORI D.10 BON+ZINC	PIN	PIVOT	STIFT	PIN
#	D03144	DIST.D.42,4 D.28,5 L.56 ZINC	-	-	-	-
#	D03145	DIST.D.42,4 D.28,5 L.44 ZINC***	-	-	-	-
#	D03198	MOLLA GANCI DI SICUREZZA DM-DX	SPRING	RESSORT	FEDER	MUELLE
#	D03474	DIST.D.42,4 D.29,8 L.51+FORO D.12ZINC***	-	-	-	-
#	D09492	PERNO D.28X147 FORO D10 M22X1.5 CARB+ZIN	PIN	PIVOT	STIFT	PIN
#	E03142	PIATTO CON GUIDA CORDINO DM	METAL STRAP	METAL DEPLOYE	BANDEISEN	Platillo
#	E03457	SUPPORTO GAMBA DF-DG-DX	SUPPORT	SUPPORT	STUTZE	APOYO
#	E03458	GAMBA SOSTEGNO DF4-DG-DX	LEG	BEQUILLE	BEIN	PATA
#	E03488	PERNO ROND D.20X63 UT. FORO D.6 ZINC***	PIN	PIVOT	STIFT	PIN
#	E09690	TELAIO CENTRALE PREPARATORE ***	FRAME	CHASSIS	RAHMEN	MARCO
#	E09936	ATTACCO TRATT. DESTRO PREPARATORE ***	CONNECTION	ATTELAGE	ANSCHLUSS	ATAQUE
#	E09937	ATTACCO TRATT. SINISTRO PREPARATORE ***	CONNECTION	ATTELAGE	ANSCHLUSS	ATAQUE
#	M03570	CILINDRO D.85 C.430 S.40 DF4	CYLINDER	CYLINDRE	ZYLINDER	CILÖNDRICA

Telaio centrale posteriore

Central frame

Chassis central

Mitten rahmen



100700\_00\_f1



**SK**

Tavola - Drawing  
Table - Bild

**100700\_0\_f2**

**Telaio centrale posteriore**

Central frame

Chassis central

Mitten rahmen

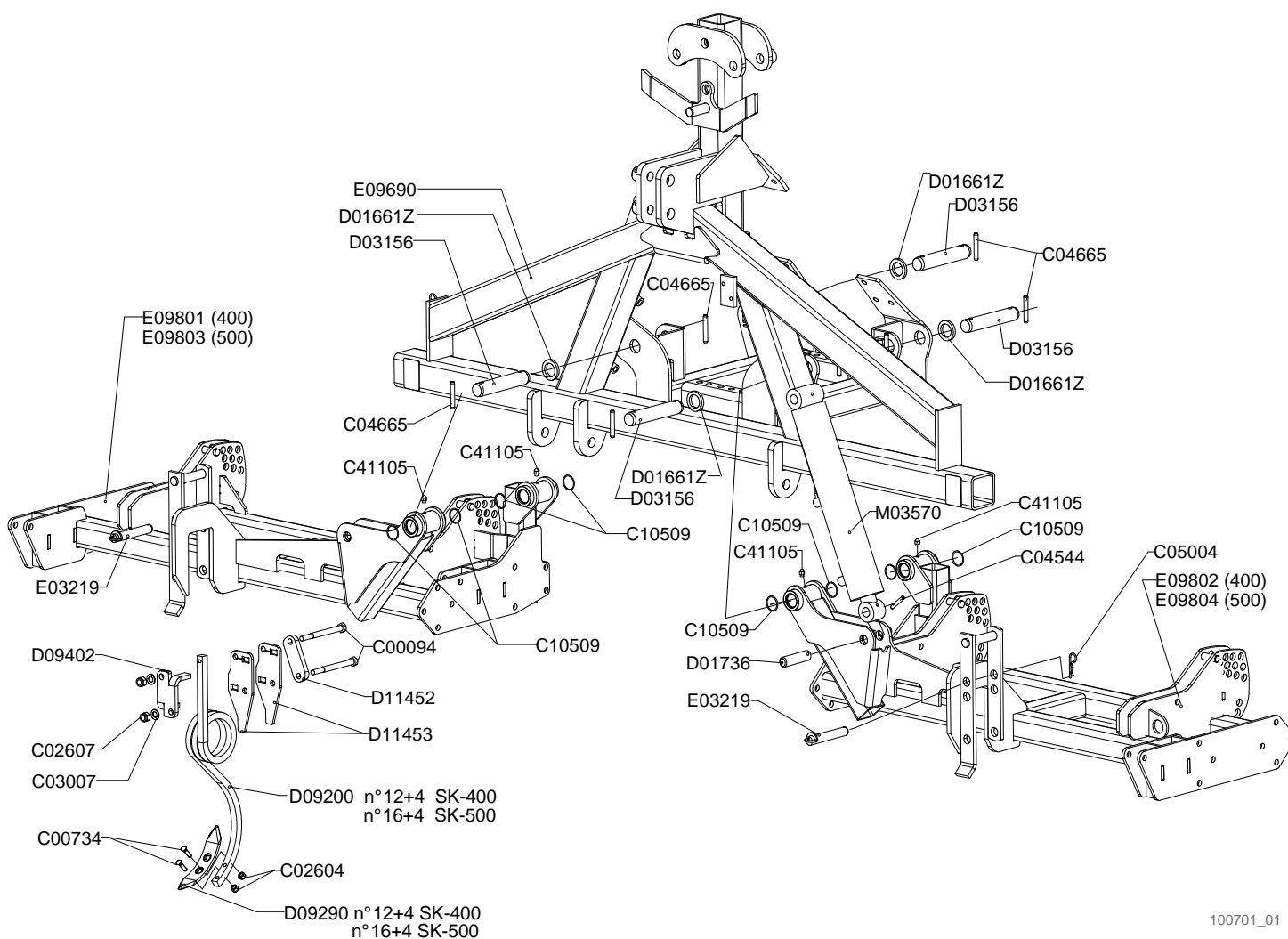
N°	Cod.	Descrizione / Description	GB	FR	D	E
#	C00229	VITE TE 10.9 M16X1,5X45 ZINC F25	SCREW	VIS	SCHRAUBE	TORNILLO
#	C00251	VITE TE 88 PF FP M20X1,5X70 ZINC UNI 573	SCREW	VIS	SCHRAUBE	TORNILLO
#	C02657	DADO AUTOBLOC ALTO 8 M16X1,5	NUT	BOULONS	NUT	DADO
#	C02658	DADO AUTOBLOC ALTO 8 M20X1,5	NUT	BOULONS	NUT	DADO
#	C03007	RONDELLA PIANA D.17 DIN125-A ZINC.	WASHER	RONDELLE	UNTERLEGSCHIEBE	ARANDELLA
#	C03008	RONDELLA PIANA D.21 DIN125-A ZINC.	WASHER	RONDELLE	UNTERLEGSCHIEBE	ARANDELLA
#	C05055	SPINA A SCATTO D.10 CON TIRANTE IN GOMMA	SOCKET	GOUPILLE	STECKER	PASADOR
#	C51526	TIRANTE D.25,4 M27X3 L=340/460	TIE ROD	TIRANT	ZUGSTANGE	TIRANTE
#	D10430	RINFORZO 3øPUNTO TRAMOGGIA DG/	REINFORCEMENT	RENFORT	VERSTAERKUNG	REFUERZO
#	E03190	PERNO ROND.25X109 UT.FORO D.12 ZINC***	PIN	PIVOT	STIFT	PIN
#	E08485	PERNO ROND.25X85 UT.FORO D.12 ZINC***	PIN	PIVOT	STIFT	PIN
#	E09690	TELAIO CENTRALE PREPARATORE ***	FRAME	CHASSIS	RAHMEN	MARCO
#	E11070	SUPPORTO SALDATO AS2/AS3 SU DF/DG/PRE	SUPPORT	SUPPORT	STUTZE	APOYO

Telai laterali

Lateral frames

Chassis lateral

Seilich rahmen



100701\_01



**SK**

Tavola - Drawing  
Table - Bild

**100701\_1**

**Telai laterali**

Lateral frames

Chassis lateral

Seilich rahmen

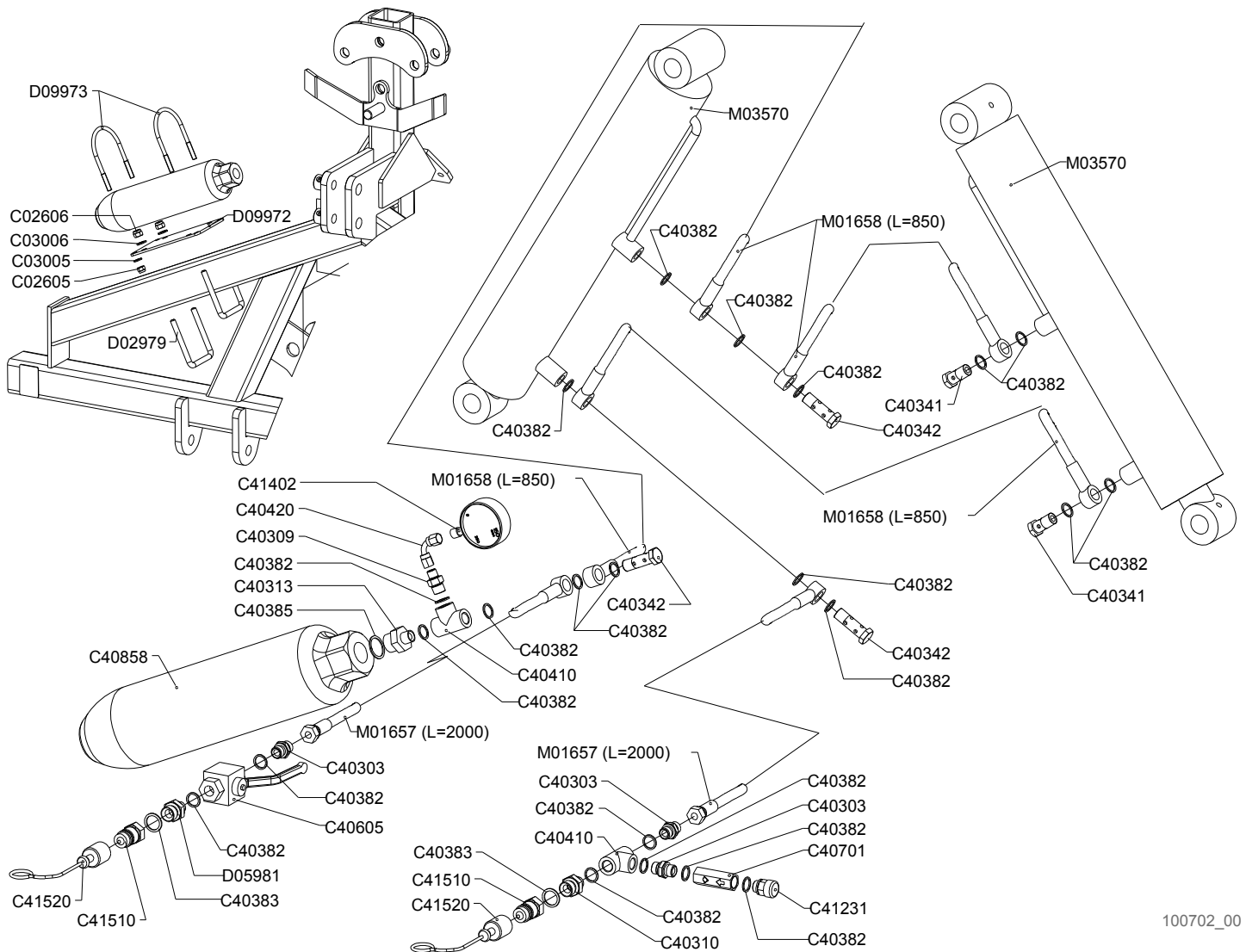
N°	Cod.	Descrizione / Description	GB	FR	D	E
-	C00094	VITE TE 88 PG FP M16X170 ZINC UNI 5737	SCREW	VIS	SCHRAUBE	TORNILLO
-	C00734	VITE TSQST 8.8 M10X40 UNI 6104	SCREW	VIS	SCHRAUBE	TORNILLO
-	C02604	DADO AUTOBLOC ALTO 8 M10	NUT	BOULONS	NUT	DADO
-	C02607	DADO AUTOBLOC ALTO 8 M16	NUT	BOULONS	NUT	DADO
-	C03007	RONDELLA PIANA D.17 DIN125-A ZINC.	WASHER	RONDELLE	UNTERLEGSSCHEIBE	ARANDELLA
-	C04544	SPINA ELASTICA D.10X60	SOCKET	GOUPILLE	STECKER	PASADOR
-	C04665	SPINA SPIROL D.12X80 ZINCATA E DEIDROGEN	SOCKET	GOUPILLE	STECKER	PASADOR
-	C05004	SPINA A MOLLA D.4	SOCKET	GOUPILLE	STECKER	PASADOR
-	C10509	ANELLO OR 3156(129) D.INT.39.34x2,62	RING	BAGUE	RING	ANILLO
-	C41105	INGRASSATORE M10X1 DIRITTO	GREASE NIPPLE	GRAISSOR	FETTBUECHSE	ENGRASADOR
-	D01661Z	RONDELLA D.40.5X60.3X8 ZINCATA	WASHER	RONDELLE	UNTERLEGSSCHEIBE	ARANDELLA
-	D01736	PERNO D.28X106 UT.FORO D.10 TEMPR. INDUZ.+ZI	PIN	PIVOT	STIFT	PIN
-	D03156	PERNO D.40X155 UT. 2 FORI D.12 TEMPR.INDUZ.	PIN	PIVOT	STIFT	PIN
-	D09200	MOLLA PREPARATORE 20X20 DESTRA	SPRING	RESSORT	FEDER	MUELLE
-	D09290	VOMERE PER MOLLA PREPARATORE 47X7X230	Ploughshare	SOC	PFLUGSCHAR	REJA
-	D09402	PIASTRA BLOCCAGGIO MOLLA PREPARATORE	PLATE	PLAQUE	PLATTE	PLACA
-	D11452	BLOCCHETTO FERMO VITI DENTE PREPARATORE	BLOCK	BLOC	BLOCK	BLOQUE
-	D11453	BALESTRA APPOGGIO DENTE PREPARATORE 8MM	CROSSBOARD	RESSORT	BLATTFEDER	BALLESTA
-	E03219	PERNO ROND.25X140 UT.FORO D.6 ZINC***	PIN	PIVOT	STIFT	PIN
-	E09690	TELAIO CENTRALE PREPARATORE ***	FRAME	CHASSIS	RAHMEN	MARCO
-	E09801	TELAIO LAT. DESTRO PREPARATORE 400 2*	FRAME	CHASSIS	RAHMEN	MARCO
-	E09802	TELAIO LAT. SINISTRO PREPARATORE 400 2*	FRAME	CHASSIS	RAHMEN	MARCO
-	E09803	TELAIO LAT. DESTRO PREPARATORE 500 2*	FRAME	CHASSIS	RAHMEN	MARCO
-	E09804	TELAIO LAT. SINISTRO PREPARATORE 500 2*	FRAME	CHASSIS	RAHMEN	MARCO
-	M03570	CILINDRO D.85 C.430 S.40 DF4	CYLINDER	CYLINDRE	ZYLINDER	CILÖNDRICA

Impianto idraulico

Hydraulic system

Circuit hydraulique

Hydraulik anlage



100702\_00




**SK**

 Tavola - Drawing  
 Table - Bild

**100702\_0**
**Impianto idraulico**

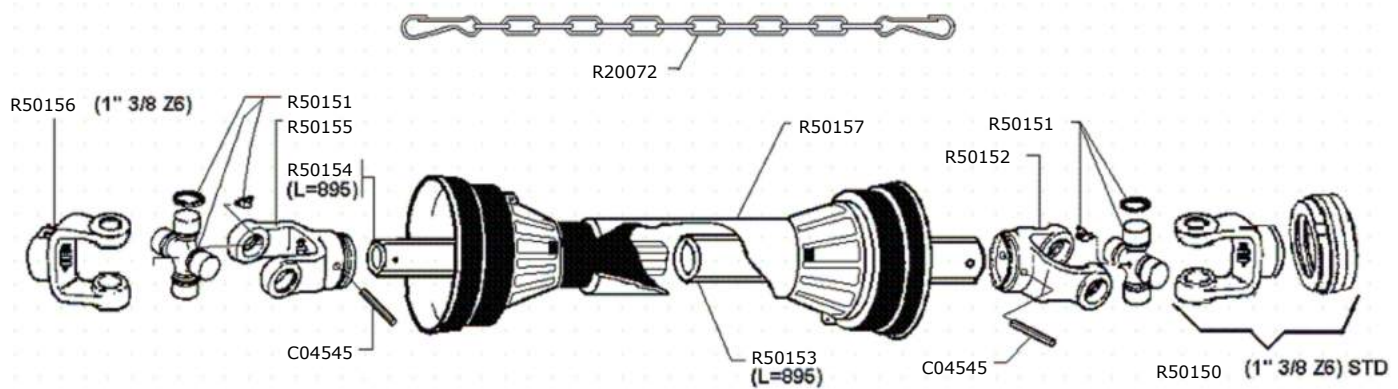
Hydraulic system

Circuit hydraulique

Hydraulik anlage

N°	Cod.	Descrizione / Description	GB	FR	D	E
#	C02605	DADO AUTOBLOC ALTO 8 M12	NUT	BOULONS	NUT	DADO
#	C02606	DADO AUTOBLOC ALTO 8 M14	NUT	BOULONS	NUT	DADO
#	C03005	RONDELLA PIANA D.13 DIN125-A ZINC.	WASHER	RONDELLE	UNTERLEGSCHIEBE	ARANDELLA
#	C03006	RONDELLA PIANA D.15 DIN125-A ZINC.	WASHER	RONDELLE	UNTERLEGSCHIEBE	ARANDELLA
#	C40303	NIPLES 3/8 3/8	NIPLES	NIPLES	NIPLES	NIPLES
#	C40309	NIPLES RIDUZ. 1/4 3/8	NIPLES	NIPLES	NIPLES	NIPLES
#	C40310	NIPLES RIDUZ. 1/2 3/8	NIPLES	NIPLES	NIPLES	NIPLES
#	C40313	NIPLES RIDUZ. 3/4 3/8	NIPLES	NIPLES	NIPLES	NIPLES
#	C40341	VITE FORATA 3/8X31	SCREW	VIS	SCHRAUBE	TORNILLO
#	C40342	VITE FORATA DOPPIA 3/8X49	SCREW	VIS	SCHRAUBE	TORNILLO
#	C40382	RONDELLA RAME 3/8 D.17	WASHER	RONDELLE	UNTERLEGSCHIEBE	ARANDELLA
#	C40383	RONDELLA RAME 1/2 D.21	WASHER	RONDELLE	UNTERLEGSCHIEBE	ARANDELLA
#	C40385	RONDELLA RAME 3/4 D.27	WASHER	RONDELLE	UNTERLEGSCHIEBE	ARANDELLA
#	C40410	"ADATTATORE ""T"" FEMMINA 3/8"	ADAPTER	ADAPTATEUR	ADAPTER	ADAPTADOR
#	C40420	CURVA 90° FF 1/4 GIRELLO	CURVE	COURBE	BOGEN	CURVO
#	C40605	RUBINETTO A SFERA 3/8 400 BAR	TAP	ROBINET	HAHN	Grifos
#	C40701	VALVOLA UNIDIREZ. 3/8	VALVE	SOUPAPE	VENTIL	VALVULA
#	C40858	ACCUMULATORE AZOTO 2,5 LT.	ACCUMULATOR	ACCUMULATEUR	AKKUMULATOR	ACUMULADORES
#	C41231	TAPPO SFIATO 3/8 GAS (30/A) LABIRINTO	PLUG	BOUCHON	STOEPSSEL	ENCHUFE
#	C41402	"MANOMETRO GLIC. SCALA 0-250 P.R. 1/4"" GAS"	GAUGE	JAUGE	DRUCKANZEIGER	MANOMETRO
#	C41510	INNESTO RAPIDO MASCHIO ATT. 1/2 F NV	COUPLING	ACCOUPLLEMENT	KUPPLUNG	COMPROMISO
#	C41520	TAPPO PROT. INNESTO RAPIDO 1/2 MASCHIO	PLUG	BOUCHON	STOEPSSEL	ENCHUFE
#	D02979	CAVALLOTTO QUADRO M14 T100X100X135	PIN	CAVALLIER	STIFT	Cavallotti
#	D05981	NIPLES RIDUZIONE 1/2 3/8 CON FORO D.1,6	NIPLES	NIPLES	NIPLES	NIPLES
#	D09972	SAG. SUPP. ACCUMULATORE D.115 SP6MM	SHAPED	FORME	VERFORMT	HUECAS
#	D09973	CAVALLOTTO TONDO M12 D.115 ZINCATO	PIN	CAVALLIER	STIFT	Cavallotti
#	M01657	"TUBO IDR OH3/8""-R1AT 1/4""X2000-FD3/8"""	TUBE	TUBE	ROHR	TUBO
#	M01658	"TUBO IDR OH3/8""-R1AT 1/4""X850-OH3/8"""	TUBE	TUBE	ROHR	TUBO
#	M03570	CILINDRO D.85 C.430 S.40 DF4	CYLINDER	CYLINDRE	ZYLINDER	CILÖNDRICA

**Cardano**  
Pto shaft  
Arbre de transmission  
Gelenkwelle



100708\_00



**SK**

Tavola - Drawing  
Table - Bild

**100708\_0**

**Cardano**

Pto shaft

Arbre de transmission

Gelenkwelle

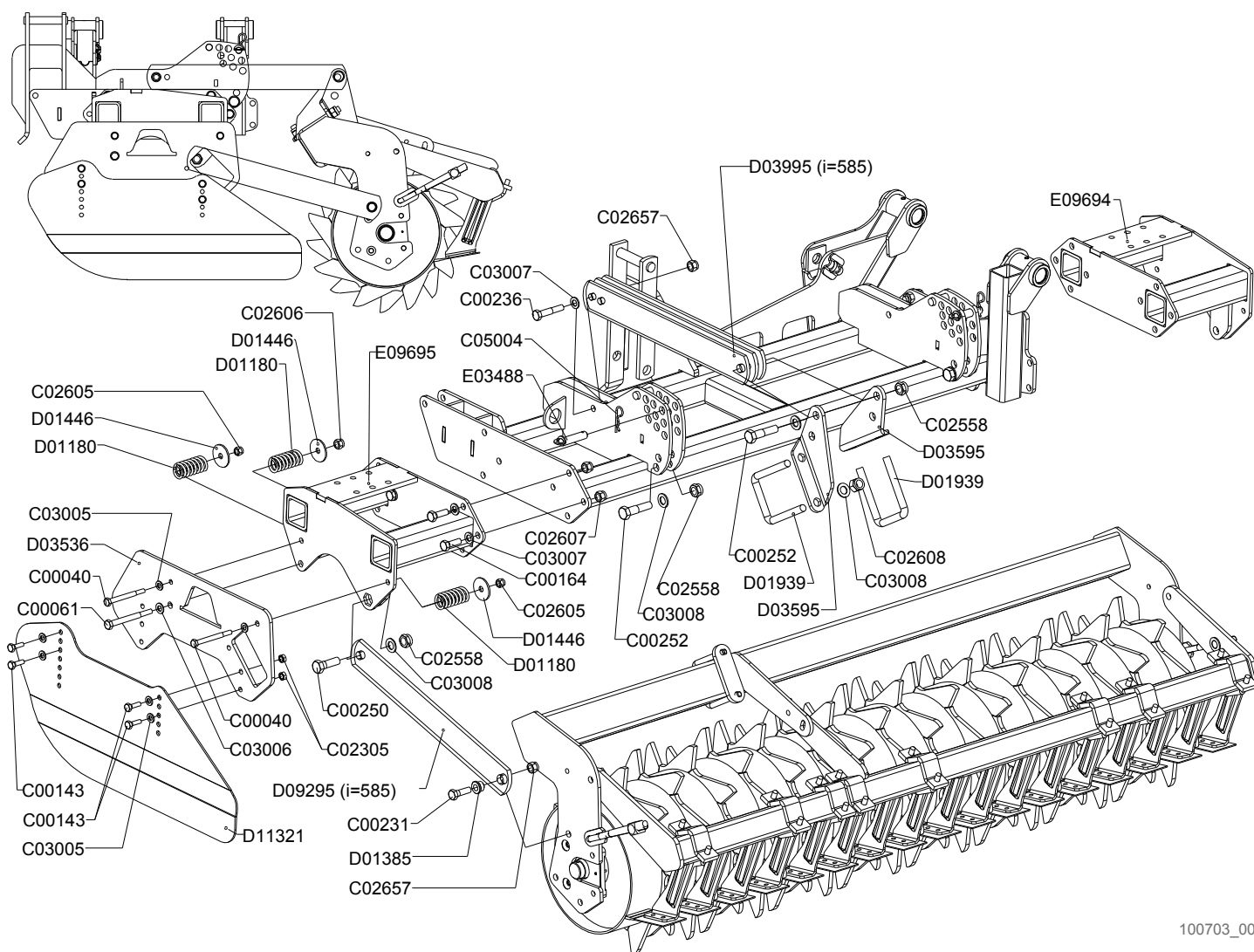
N°	Cod.	Descrizione / Description	GB	FR	D	E
#	C04545	SPINA ELASTICA D.10X65	SOCKET	GOUPILLE	STECKER	PASADOR
#	R20072	CATENELLA FERMA PROTEZIONE CARDANO	-	-	-	-
#	R50150	"FORCELLA L23 1""3/8 Z=6 COLLAR RAPID"	FORK	MACHOIRE	GABEL	HORQUILLA
#	R50151	CROCIERA D.23.8X61.3 L23	-	-	-	-
#	R50152	FORCELLA TUBO EST LD 41X48X3 (L23)	FORK	MACHOIRE	GABEL	HORQUILLA
#	R50153	TUBO LIMONE EST LD 41X48X3 (L23) (300CM)	TUBE	TUBE	ROHR	TUBO
#	R50154	TUBO LIMONE INT LC 34.5X40X4 (L23) (300 CM)	TUBE	TUBE	ROHR	TUBO
#	R50155	FORCELLA TUBO INT LC 34.5X40X4 (L23)	FORK	MACHOIRE	GABEL	HORQUILLA
#	R50156	"FORCELLA L23 1"" 3/8 Z=6 ATT PULSANTE"	FORK	MACHOIRE	GABEL	HORQUILLA
#	R50157	"PROTEZIONE COMPLETA ""L23"""	PROTECTION	PROTECTION	SCHUTZ	PROTECCIÒN

S00109 - Kit bracci rullo (SK)

S00109 - Kit roller

S00109 - Kit rouleau

S00109 - Kit nachlaufwalze



100703\_00



## Versione rullo

Tavola - Drawing  
Table - Bild

100703\_0

### S00109 - Kit bracci rullo (SK)

S00109 - Kit roller

S00109 - Kit rouleau

S00109 - Kit nachlaufwalze

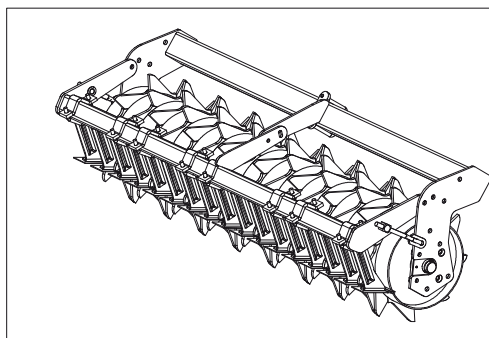
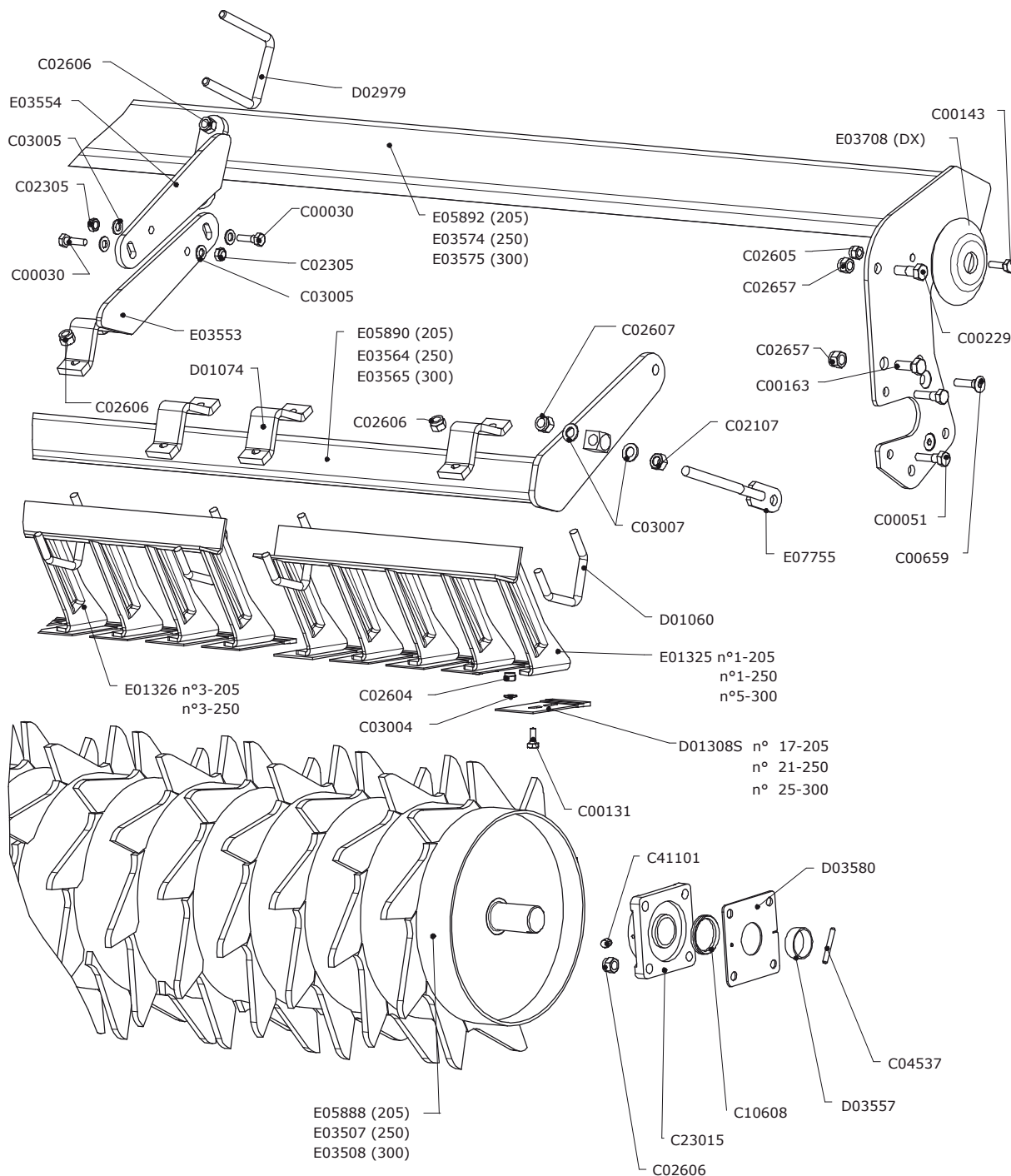
N°	Cod.	Descrizione / Description	GB	FR	D	E
#	C00040	VITE TE 88 PG FP M12X120 ZINC UNI 5737	SCREW	VIS	SCHRAUBE	TORNILLO
#	C00061	VITE TE 88 PG FP M14X140 ZINC UNI 5737	SCREW	VIS	SCHRAUBE	TORNILLO
#	C00143	VITE TE 88 PG FT M12X35 ZINC UNI 5739	SCREW	VIS	SCHRAUBE	TORNILLO
#	C00164	VITE TE 88 PG FT M16X45 ZINC UNI 5739	SCREW	VIS	SCHRAUBE	TORNILLO
#	C00231	VITE TE 88 PF FP M16X1,5X50 ZINC UNI 573	SCREW	VIS	SCHRAUBE	TORNILLO
#	C00236	VITE TE 88 PF FP M16X1,5X80 ZINC UNI 573	SCREW	VIS	SCHRAUBE	TORNILLO
#	C00250	VITE TE 88 PF FP M20X1,5X60 ZINC UNI 573	SCREW	VIS	SCHRAUBE	TORNILLO
#	C00252	VITE TE 88 PF FP M20X1,5X80 ZINC UNI 573	SCREW	VIS	SCHRAUBE	TORNILLO
#	C02305	DADO METALBLOC M12	NUT	BOULONS	NUT	DADO
#	C02558	DADO AUTOBLOC BASSO 8 PF M20X1,5	NUT	BOULONS	NUT	DADO
#	C02605	DADO AUTOBLOC ALTO 8 M12	NUT	BOULONS	NUT	DADO
#	C02606	DADO AUTOBLOC ALTO 8 M14	NUT	BOULONS	NUT	DADO
#	C02607	DADO AUTOBLOC ALTO 8 M16	NUT	BOULONS	NUT	DADO
#	C02608	DADO AUTOBLOC ALTO 8 M20	NUT	BOULONS	NUT	DADO
#	C02657	DADO AUTOBLOC ALTO 8 M16X1,5	NUT	BOULONS	NUT	DADO
#	C03005	RONDELLA PIANA D.13 DIN125-A ZINC.	WASHER	RONDELLE	UNTERLEGSCHIEBE	ARANDELLA
#	C03006	RONDELLA PIANA D.15 DIN125-A ZINC.	WASHER	RONDELLE	UNTERLEGSCHIEBE	ARANDELLA
#	C03007	RONDELLA PIANA D.17 DIN125-A ZINC.	WASHER	RONDELLE	UNTERLEGSCHIEBE	ARANDELLA
#	C03008	RONDELLA PIANA D.21 DIN125-A ZINC.	WASHER	RONDELLE	UNTERLEGSCHIEBE	ARANDELLA
#	C05004	SPINA A MOLLA D.4	SOCKET	GOUPILLE	STECKER	PASADOR
#	D01180	MOLLA INF.FIANCATE DD D.EST42XD.F6X90	SPRING	RESSORT	FEDER	MUELLE
#	D01385	BUSSOLA D25/32 D.16,5 L.18,5 CARBON+ZINC	BUSHING	ENTRETOISE	BUCHSE	BRUJULA
#	D01446	RONDELLA D.60X15X4 (RICAVATA DA SFRIDI)	WASHER	RONDELLE	UNTERLEGSCHIEBE	ARANDELLA
#	D01939	CAVALLOTTO QUADRO M20X100X145	PIN	CAVALLIER	STIFT	Cavallotti
#	D03536	SUPPORTO FIANCATA MOBILE DD-DM 10MM	SUPPORT	SUPPORT	STUTZE	APOYO
#	D03595	STAFFA ATTACCO RULLO SERIE 4 10MM	BRACKET	SUPPORT	BUEGEL	Soporte
#	D03995	LAMA RULLO SUPERIORE RH SP.10 I=585	METAL PLATE	LAME	METALL-PLATTE	CUCHILLA
#	D09295	LAMA RULLO PREPARATORE I=585MM SP.12MM	METAL PLATE	LAME	METALL-PLATTE	CUCHILLA
#	D11321	FIANCATA MOBILE SINISTRA PREPARATORE	SIDE	LONG	NEBEN	JUNTO
#	E03488	PERNO ROND D.20X63 UT. FORO D.6 ZINC***	PIN	PIVOT	STIFT	PIN
#	E09694	PROLUNGA DESTRA PREPARATORE	EXTENSION	EXTENSION	VERLAENGERUNG	EXTENSION
#	E09695	PROLUNGA SINISTRA PREPARATORE	EXTENSION	EXTENSION	VERLAENGERUNG	EXTENSION

Rullo packer PK4 205-250-300

Packer roller PK4 205-250-300

Rouleau packer PK4 205-250-300

Packer walze PK4 205-250-300



S03020S (PK4-205)  
S03022S (PK4-250)  
S03023S (PK4-300)



**Rullo packer PK4 205-250-300**

Packer roller PK4 205-250-300

Rouleau packer PK4 205-250-300

Packer walze PK4 205-250-300

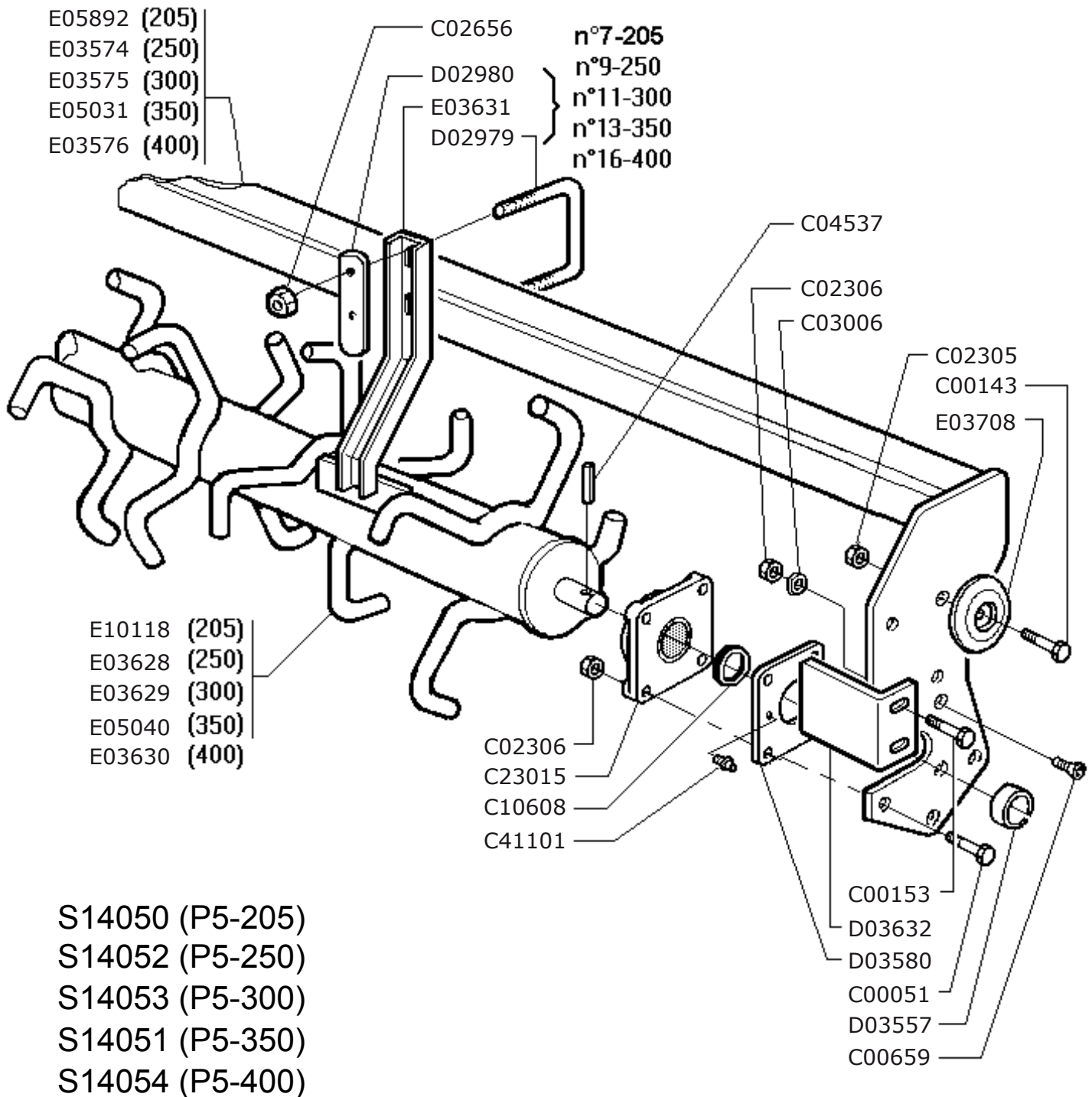
N°	Cod.	Descrizione / Description	GB	FR	D	E
#	C00030	VITE TE 88 PG FP M12X40 ZINC UNI 5737	SCREW	VIS	SCHRAUBE	TORNILLO
#	C00051	VITE TE 88 PG FP M14X50 ZINC UNI 5737	SCREW	VIS	SCHRAUBE	TORNILLO
#	C00131	VITE TE 88 PG FT M10X25 ZINC UNI 5739	SCREW	VIS	SCHRAUBE	TORNILLO
#	C00143	VITE TE 88 PG FT M12X35 ZINC UNI 5739	SCREW	VIS	SCHRAUBE	TORNILLO
#	C00163	VITE TE 88 PG FT M16X40 ZINC UNI 5739	SCREW	VIS	SCHRAUBE	TORNILLO
#	C00229	VITE TE 10.9 M16X1,5X45 ZINC F25	SCREW	VIS	SCHRAUBE	TORNILLO
#	C00659	VITE TSPEI 10.9 PG M14X50 ZINC UNI 5933	SCREW	VIS	SCHRAUBE	TORNILLO
#	C02107	DADO NORMALE 8 PG M16 UNI 5588 ZINC	NUT	BOULONS	NUT	DADO
#	C02305	DADO METALBLOC M12	NUT	BOULONS	NUT	DADO
#	C02604	DADO AUTOBLOC ALTO 8 M10	NUT	BOULONS	NUT	DADO
#	C02605	DADO AUTOBLOC ALTO 8 M12	NUT	BOULONS	NUT	DADO
#	C02606	DADO AUTOBLOC ALTO 8 M14	NUT	BOULONS	NUT	DADO
#	C02607	DADO AUTOBLOC ALTO 8 M16	NUT	BOULONS	NUT	DADO
#	C02657	DADO AUTOBLOC ALTO 8 M16X1,5	NUT	BOULONS	NUT	DADO
#	C03004	RONDELLA PIANA D.10,5 DIN125-A ZINC.	WASHER	RONDELLE	UNTERLEGSCHIEBE	ARANDELLA
#	C03005	RONDELLA PIANA D.13 DIN125-A ZINC.	WASHER	RONDELLE	UNTERLEGSCHIEBE	ARANDELLA
#	C03007	RONDELLA PIANA D.17 DIN125-A ZINC.	WASHER	RONDELLE	UNTERLEGSCHIEBE	ARANDELLA
#	C04537	SPINA ELASTICA D.8X60	SOCKET	GOUPILLE	STECKER	PASADOR
#	C10608	ANELLO V-RING D.INT.54X9 (CR400600)	RING	BAGUE	RING	ANILLO
#	C23015	SUPPORTO UCF 209	SUPPORT	SUPPORT	STUTZE	APOYO
#	C41101	INGRASSATORE M6X1 DIRITTO	GREASE NIPPLE	GRAISSOR	FETTBUCHSE	ENGRASADOR
#	D01060	CAVALLOTTO DIAGONALE M14 70X70	PIN	CAVALLIER	STIFT	Cavallotti
#	D01074	MORSETTO DIAGONALE 70X70***	TERMINAL	TERMINAL	TERMINAL	TERMINALES
#	D01308S	SPATOLA PULIRULLO PK ANTIUSURA	Spatula	Spatules	SPACHTEL	Esp tulas
#	D02979	CAVALLOTTO QUADRO M14 T100X100X135	PIN	CAVALLIER	STIFT	Cavallotti
#	D03557	DIST.D.50 d.46 L.17	-	-	-	-
#	D03580	SCHERMO PIANO UCF-209 3MM	SCREEN	ECRAN	SCHIRM	PANTALLA
#	E01325	PETTINE DA 5 ***	COMB	HERSE	KAMM	PEINE
#	E01326	PETTINE DA 4 ***	COMB	HERSE	KAMM	PEINE
#	E03507	RULLO PACKER PK4-250 ***	ROLLER	ROULEAU	WALZE	RODILLO
#	E03508	RULLO PACKER PK4-300 ***	ROLLER	ROULEAU	WALZE	RODILLO
#	E03553	RINFORZO POST. TELAIO PK4 TUBO 70X70 ***	REINFORCEMENT	RENFORT	VERSTAERKUNG	REFUERZO
#	E03554	RINFORZO ANTERIORE TELAIO PK4 ***	REINFORCEMENT	RENFORT	VERSTAERKUNG	REFUERZO
#	E03564	TELAIO PORTA SPATOLE PK4-250	FRAME	CHASSIS	RAHMEN	MARCO
#	E03565	TELAIO PORTA SPATOLE PK4-300 ***	FRAME	CHASSIS	RAHMEN	MARCO
#	E03574	TELAIO RULLO SERIE 4-250	FRAME	CHASSIS	RAHMEN	MARCO
#	E03575	TELAIO RULLO SERIE 4-300	FRAME	CHASSIS	RAHMEN	MARCO
#	E03708	TAMPONE CENTRALE RULLI DOPPI D.145X30	BUFFER	PRESSE	STOPFEN	TAMPON
#	E05888	RULLO PACKER PK4-205 ***	ROLLER	ROULEAU	WALZE	RODILLO
#	E05890	TELAIO PORTA SPATOLE PK4-205	FRAME	CHASSIS	RAHMEN	MARCO
#	E05892	TELAIO RULLO SERIE 4-205	FRAME	CHASSIS	RAHMEN	MARCO
#	E07755	TIRANTE RASCHIATORE M16 CON PIASTRINA	TIE ROD	TIRANT	ZUGSTANGE	TIRANTE
#	S03020S	RULLO PACKER PK4S-205 D.520 COMPLETO***	ROLLER	ROULEAU	WALZE	RODILLO
#	S03022S	RULLO PACKER PK4S-250 D.520 COMPLETO***	ROLLER	ROULEAU	WALZE	RODILLO
#	S03023S	RULLO PACKER PK4S-300 D.520 COMPLETO***	ROLLER	ROULEAU	WALZE	RODILLO

Rullo spuntoni P5

Spike roller P5

Rouleau a pointes P5

Zinken walze P5



100139\_01





**Rullo spuntoni P5**

Spike roller P5

Rouleau a pointes P5

Zinken walze P5

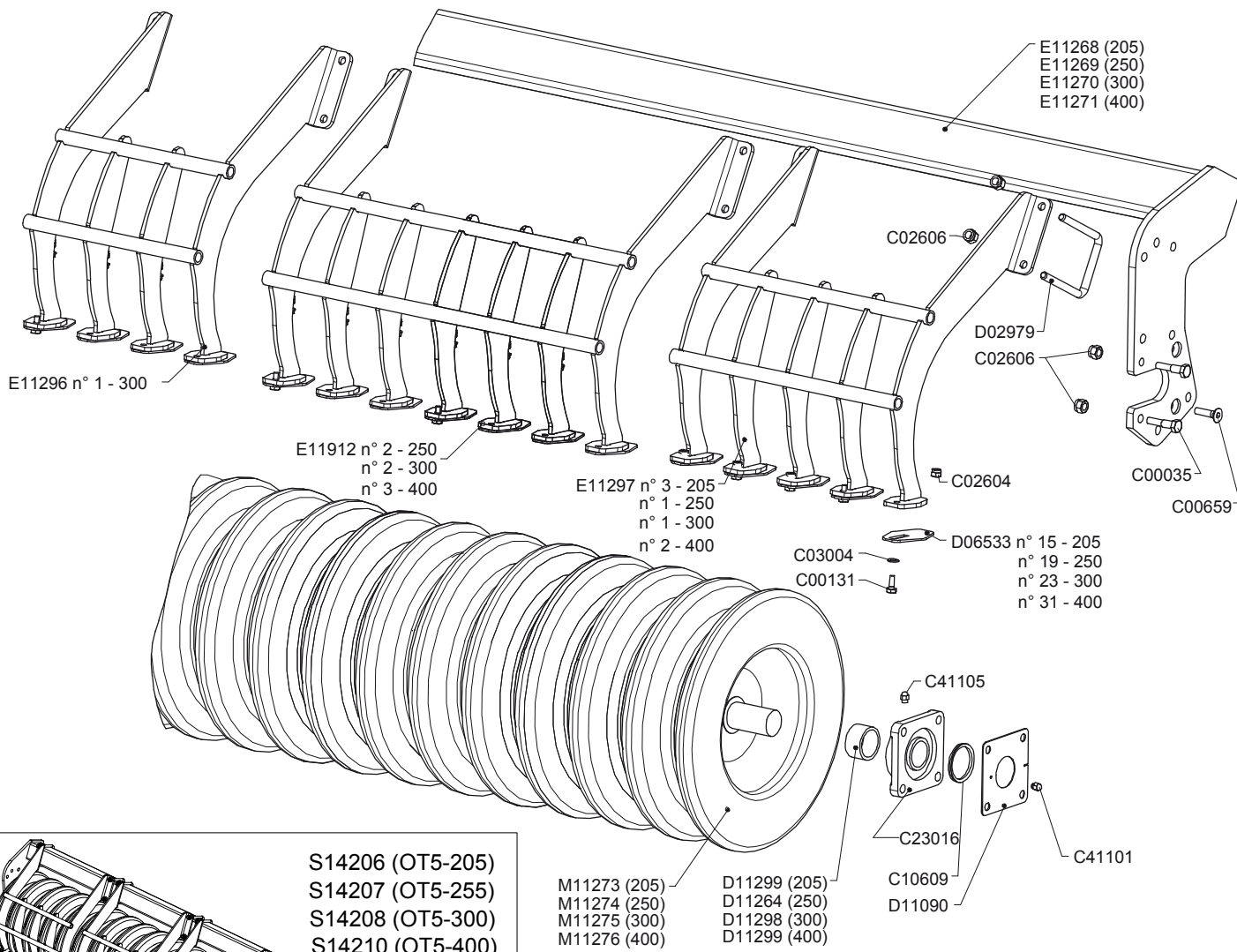
N°	Cod.	Descrizione / Description	GB	FR	D	E
#	C00051	VITE TE 88 PG FP M14X50 ZINC UNI 5737	SCREW	VIS	SCHRAUBE	TORNILLO
#	C00143	VITE TE 88 PG FT M12X35 ZINC UNI 5739	SCREW	VIS	SCHRAUBE	TORNILLO
#	C00153	VITE TE 88 PG FT M14X40 ZINC UNI 5739	SCREW	VIS	SCHRAUBE	TORNILLO
#	C00659	VITE TSPEI 10.9 PG M14X50 ZINC UNI 5933	SCREW	VIS	SCHRAUBE	TORNILLO
#	C02305	DADO METALBLOC M12	NUT	BOULONS	NUT	DADO
#	C02306	DADO METALBLOC M14 ( SOST. DA C02606 )	NUT	BOULONS	NUT	DADO
#	C02656	DADO AUTOBLOC ALTO 8 M14X1,5	NUT	BOULONS	NUT	DADO
#	C03006	RONDELLA PIANA D.15 DIN125-A ZINC.	WASHER	RONDELLE	UNTERLEGSSCHEIBE	ARANDELLA
#	C04537	SPINA ELASTICA D.8X60	SOCKET	GOUPILLE	STECKER	PASADOR
#	C10608	ANELLO V-RING D.INT.54X9 (CR400600)	RING	BAGUE	RING	ANILLO
#	C23015	SUPPORTO UCF 209	SUPPORT	SUPPORT	STUTZE	APOYO
#	C41101	INGRASSATORE M6X1 DIRITTO	GREASE NIPPLE	GRAISSOR	FETTBUECHSE	ENGRASADOR
#	D02979	CAVALLOTTO QUADRO M14 T100X100X135	PIN	CAVALLIER	STIFT	Cavallotti
#	D02980	PIATTO RINF. PULIRULLO P4/P41-400 10mm	METAL STRAP	METAL DEPLOYE	BANDEISEN	Platillo
#	D03557	DIST.D.50 d.46 L.17	-	-	-	-
#	D03580	SCHERMO PIANO UCF-209 3MM	SCREEN	ECRAN	SCHIRM	PANTALLA
#	D03632	PULIRULLO SPUNTONI ESTERNO P2/P-5/P-41	ROLLER SCRAPER	DECROTTEUR ROULE	WALZENABSTREIFEF	POLIRULO
#	E03574	TELAIO RULLO SERIE 4-250	FRAME	CHASSIS	RAHMEN	MARCO
#	E03575	TELAIO RULLO SERIE 4-300	FRAME	CHASSIS	RAHMEN	MARCO
#	E03576	TELAIO RULLO SERIE 4-400	FRAME	CHASSIS	RAHMEN	MARCO
#	E03628	RULLO P5-250***	ROLLER	ROULEAU	WALZE	RODILLO
#	E03629	RULLO P5-300***	ROLLER	ROULEAU	WALZE	RODILLO
#	E03630	RULLO P5-400***	ROLLER	ROULEAU	WALZE	RODILLO
#	E03631	PULIRULLO P-5 +++	ROLLER SCRAPER	DECROTTEUR ROULE	WALZENABSTREIFEF	POLIRULO
#	E03708	TAMPONE CENTRALE RULLI DOPPI D.145X30	BUFFER	PRESSE	STOPFEN	TAMPON
#	E05031	TELAIO RULLO SERIE 4-350	FRAME	CHASSIS	RAHMEN	MARCO
#	E05040	RULLO P5-350***	ROLLER	ROULEAU	WALZE	RODILLO
#	E05892	TELAIO RULLO SERIE 4-205	FRAME	CHASSIS	RAHMEN	MARCO
#	E10118	RULLO P5-205***	ROLLER	ROULEAU	WALZE	RODILLO
#	S14050	RULLO SPUNTONI P5-205 COMPLETO***	ROLLER	ROULEAU	WALZE	RODILLO
#	S14051	RULLO SPUNTONI P5-350 COMPLETO***	ROLLER	ROULEAU	WALZE	RODILLO
#	S14052	RULLO SPUNTONI P5-250 COMPLETO***	ROLLER	ROULEAU	WALZE	RODILLO
#	S14053	RULLO SPUNTONI P5-300 COMPLETO***	ROLLER	ROULEAU	WALZE	RODILLO
#	S14054	RULLO SPUNTONI P5-400 COMPLETO***	ROLLER	ROULEAU	WALZE	RODILLO

**Rullo gommato OT5**

Tyred roller

Rouleau caoutchoute OT5

Gummirolle OT5



100714\_01



Rullo gommato OT5

Tyred roller

Rouleau caoutchoute OT5

Gummirolle OT5

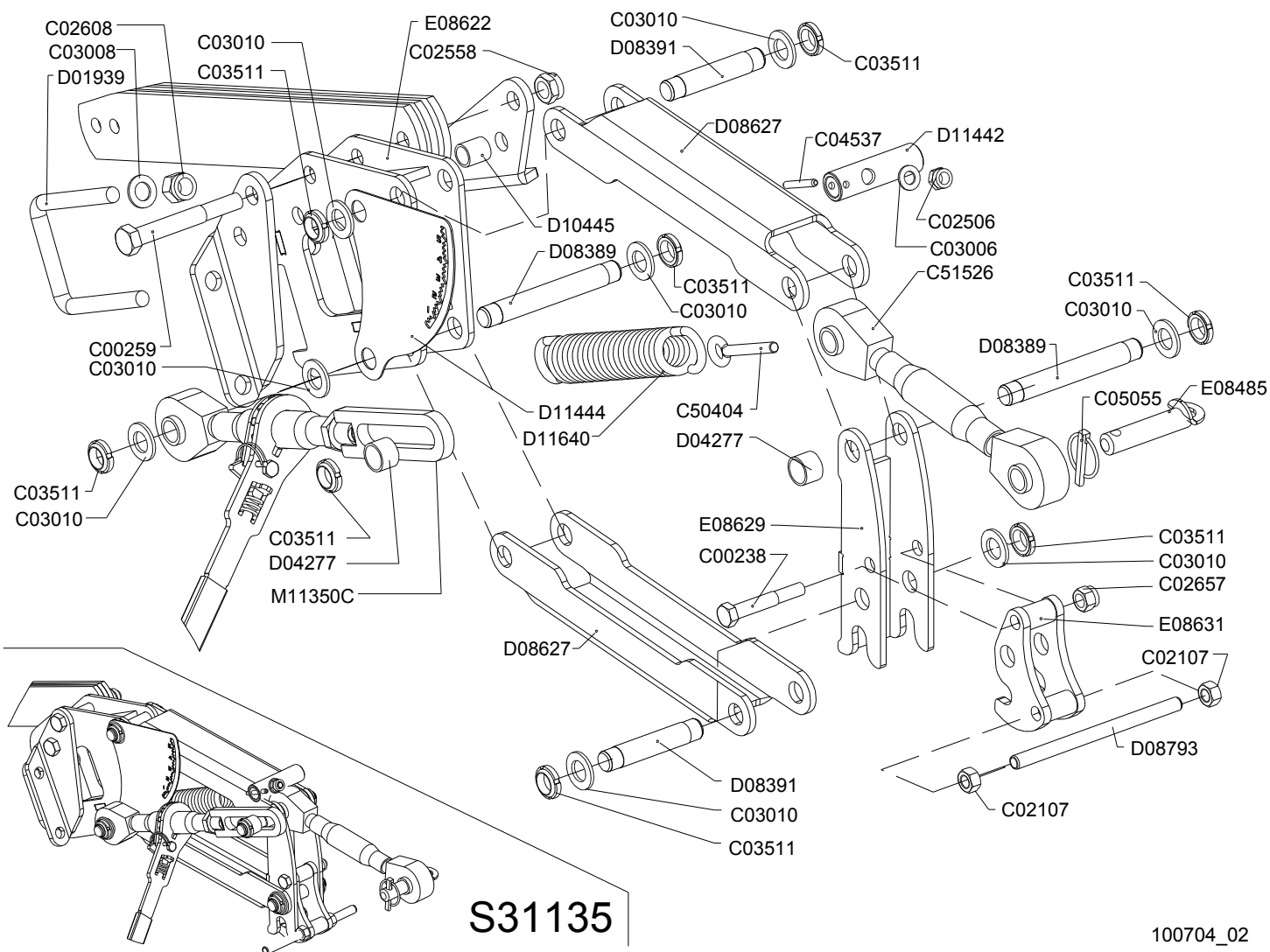
N°	Cod.	Descrizione / Description	GB	FR	D	E
#	C00035	VITE TE 88 PG FP M12X70 ZINC UNI 5737	SCREW	VIS	SCHRAUBE	TORNILLO
#	C00131	VITE TE 88 PG FT M10X25 ZINC UNI 5739	SCREW	VIS	SCHRAUBE	TORNILLO
#	C00659	VITE TSPEI 10.9 PG M14X50 ZINC UNI 5933	SCREW	VIS	SCHRAUBE	TORNILLO
#	C02604	DADO AUTOBLOC ALTO 8 M10	NUT	BOULONS	NUT	DADO
#	C02606	DADO AUTOBLOC ALTO 8 M14	NUT	BOULONS	NUT	DADO
#	C03004	RONDELLA PIANA D.10,5 DIN125-A ZINC.	WASHER	RONDELLE	UNTERLEGSSCHEIBE	ARANDELLA
#	C10609	ANELLO V-RING D.INT.58X9 (CR400650)	RING	BAGUE	RING	ANILLO
#	C23016	SUPPORTO UCF 210	SUPPORT	SUPPORT	STUTZE	APOYO
#	C41101	INGRASSATORE M6X1 DIRITTO	GREASE NIPPLE	GRAISSOR	FETTBUECHSE	ENGRASADOR
#	C41105	INGRASSATORE M10X1 DIRITTO	GREASE NIPPLE	GRAISSOR	FETTBUECHSE	ENGRASADOR
#	D02979	CAVALLOTTO QUADRO M14 T100X100X135	PIN	CAVALLIER	STIFT	Cavallotti
#	D06533	SPATOLA PULIRULLO OTICO LTX 3,5MM C72	Spatula	Spatules	SPACHTEL	Esp tulas
#	D11090	SCHERMO PROTEZIONE UCF-210 2MM	SCREEN	ECRAN	SCHIRM	PANTALLA
#	D11264	DISTANZIALE 63,5X5,6X34	SPACER	ENTRETOISE	ABSTANDSTUECK	Espaciadores
#	D11298	DISTANZIALE 63,5X5,6X24 PER RULLO OTICO	SPACER	ENTRETOISE	ABSTANDSTUECK	Espaciadores
#	D11299	DISTANZIALE 63,5X5,6X39 PER RULLO OTICO	SPACER	ENTRETOISE	ABSTANDSTUECK	Espaciadores
#	E11268	TELAIO RULLO OTICO LTX-500 205	FRAME	CHASSIS	RAHMEN	MARCO
#	E11269	TELAIO RULLO OTICO LTX-500 255	FRAME	CHASSIS	RAHMEN	MARCO
#	E11270	TELAIO RULLO OTICO LTX-500 305	FRAME	CHASSIS	RAHMEN	MARCO
#	E11271	TELAIO RULLO OTICO LTX-500 405	FRAME	CHASSIS	RAHMEN	MARCO
#	E11296	PETTINE DA 4 PULIRULLO OTICO LTX-500	COMB	HERSE	KAMM	PEINE
#	E11297	PETTINE DA 5 PULIRULLO OTICO LTX-500	COMB	HERSE	KAMM	PEINE
#	E11912	PETTINE DA 7 PULIRULLO OTICO LTX-500	COMB	HERSE	KAMM	PEINE
#	M11273	RULLO GOMMA LTX-205L D.500X1905	ROLLER	ROULEAU	WALZE	RODILLO
#	M11274	RULLO GOMMA LTX-255L D.500X2405	ROLLER	ROULEAU	WALZE	RODILLO
#	M11275	RULLO GOMMA LTX-305L D.500X2905	ROLLER	ROULEAU	WALZE	RODILLO
#	M11276	RULLO GOMMA LTX-355L D.500X3405	ROLLER	ROULEAU	WALZE	RODILLO
#	S14206	RULLO GOMMA OT 5 -205 COMPLETO	ROLLER	ROULEAU	WALZE	RODILLO
#	S14207	RULLO GOMMA OT 5 -255 COMPLETO	ROLLER	ROULEAU	WALZE	RODILLO
#	S14208	RULLO GOMMA OT 5 -300 COMPLETO	ROLLER	ROULEAU	WALZE	RODILLO
#	S14210	RULLO GOMMA OT 5 -400 COMPLETO	ROLLER	ROULEAU	WALZE	RODILLO

S31135 - Kit attacco rapido barra molleggiato

S31135 - Kit linkage Sowing Bar flexible

S31135 - Kit attelage Barre De Semer elastique

S31135 - Schnellkuppeldreieck Barre Fur Drill flexibel



100704\_02



**S31135 - Kit attacco rapido barra molleggiato**

S31135 - Kit linkage Sowing Bar flexible

S31135 - Kit attelage Barre De Semer elastique

S31135 - Schnellkuppeldreieck Barre Fur Drill flexibel

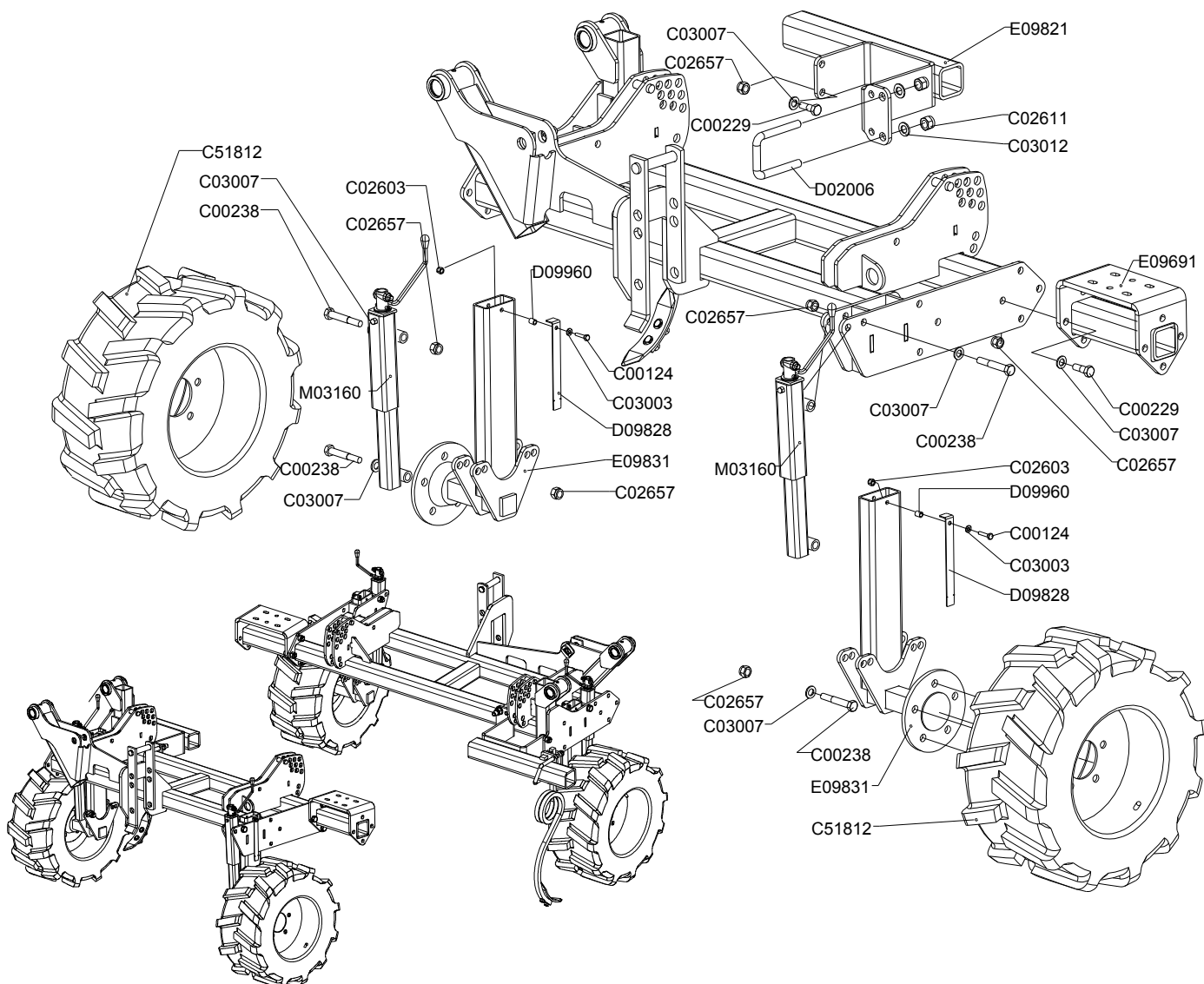
N°	Cod.	Descrizione / Description	GB	FR	D	E
#	C00238	VITE TE 88 PF FP M16X1,5X100 ZINC UNI 57	SCREW	VIS	SCHRAUBE	TORNILLO
#	C00259	VITE TE 88 PF FP M20X1,5X160 ZINC UNI 57	SCREW	VIS	SCHRAUBE	TORNILLO
#	C02107	DADO NORMALE 8 PG M16 UNI 5588 ZINC	NUT	BOULONS	NUT	DADO
#	C02506	DADO AUTOBLOC BASSO 8 PG M14	NUT	BOULONS	NUT	DADO
#	C02558	DADO AUTOBLOC BASSO 8 PF M20X1,5	NUT	BOULONS	NUT	DADO
#	C02608	DADO AUTOBLOC ALTO 8 M20	NUT	BOULONS	NUT	DADO
#	C02657	DADO AUTOBLOC ALTO 8 M16X1,5	NUT	BOULONS	NUT	DADO
#	C03006	RONDELLA PIANA D.15 DIN125-A ZINC.	WASHER	RONDELLE	UNTERLEGSCHIEBE	ARANDELLA
#	C03008	RONDELLA PIANA D.21 DIN125-A ZINC.	WASHER	RONDELLE	UNTERLEGSCHIEBE	ARANDELLA
#	C03010	RONDELLA PIANA D.25 DIN125-A ZINC.	WASHER	RONDELLE	UNTERLEGSCHIEBE	ARANDELLA
#	C03511	GHIERA AUTOBLOC.BASSA GUK M25X1,5	METAL RING	RONDELLE	METALL-RING	Rueda
#	C04537	SPINA ELASTICA D.8X60	SOCKET	GOUPILLE	STECKER	PASADOR
#	C05055	SPINA A SCATTO D.10 CON TIRANTE IN GOMMA	SOCKET	GOUPILLE	STECKER	PASADOR
#	C50404	TIRANTE AD OCCHIO DESTRO M14 FORO D.18	TIE ROD	TIRANT	ZUGSTANGE	TIRANTE
#	C51526	TIRANTE D.25,4 M27X3 L=340/460	TIE ROD	TIRANT	ZUGSTANGE	TIRANTE
#	D01939	CAVALLOTTO QUADRO M20X100X145	PIN	CAVALLIER	STIFT	Cavallotti
#	D04277	DIST.D.33,7 D.25,5 L.25	-	-	-	-
#	D08389	PERNO D.25X152 UT. ESTR. M25X1,5 ZINC.	PIN	PIVOT	STIFT	PIN
#	D08391	PERNO D.25X96 UT. ESTR. M25X1,5 ZINC.	PIN	PIVOT	STIFT	PIN
#	D08627	BRACCIO SUPPORTO BARRA SEMINA AS1/2/3	ARM	BRAS	ARM	BRAZO
#	D08793	BARRA FILETTATA M16 L=238 ZINCATA ***	BAR	BARRE	STAB	BARRA
#	D10445	DIST.D.26,9 d.21,7 L.30 zinc	-	-	-	-
#	D11442	TONDO TENDITORE MOLLA S31135	ROUND	RONDELLE	RUND	RONDA
#	D11444	SAG. REGOLAZ. PARALLELOGR. 2MM ZINC.	SHAPED	FORME	VERFORMT	HUECAS
#	D11640	MOLLA TRAZIONE D=10 DE=55 L=325	SPRING	RESSORT	FEDER	MUELLE
#	E08485	PERNO ROND.25X85 UT.FORO D.12 ZINC***	PIN	PIVOT	STIFT	PIN
#	E08622	SUPPORTO SALD. BARRA SEMINA AS1	SUPPORT	SUPPORT	STUTZE	APOYO
#	E08629	BRACCIO SALD. SUPP. BARRA SEMINA AS1	ARM	BRAS	ARM	BRAZO
#	E08631	GANCIO SALD. SUPP. BARRA SEMINA AS1	HOOK	ATTACHE	HAKEN	ENGANCHE
#	M11350C	TIRANTE CRICCO 340/460 CON ASOLA D.26X120	TIE ROD	TIRANT	ZUGSTANGE	TIRANTE
#	S31135	KIT ATT.RAPID BARRA AS1/2/3 MOLLEGGIATO	KIT	KIT	KIT	KIT

S00022 - Kit ruote saker

S00022 - Kit wheels saker

S00022 - Kit roues saker

S00022 - Kit saker rader



100705\_00



## Versione ruote

Tavola - Drawing  
Table - Bild

100705\_0

S00022 - Kit ruote saker

S00022 - Kit wheels saker

S00022 - Kit roues saker

S00022 - Kit saker rader

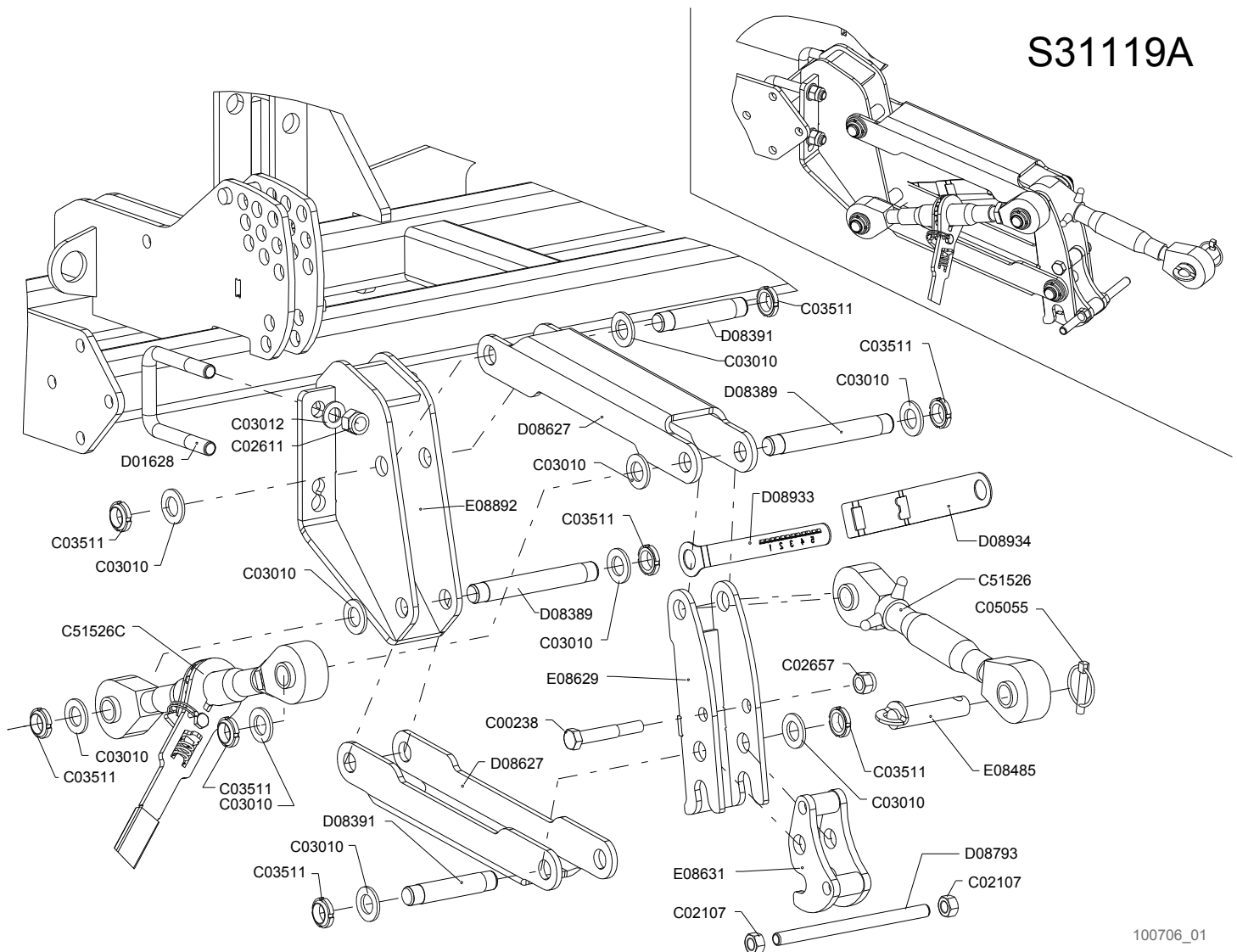
N°	Cod.	Descrizione / Description	GB	FR	D	E
#	C00124	VITE TE 88 PG FT M8X35 ZINC UNI 5739	SCREW	VIS	SCHRAUBE	TORNILLO
#	C00229	VITE TE 10.9 M16X1,5X45 ZINC F25	SCREW	VIS	SCHRAUBE	TORNILLO
#	C00238	VITE TE 88 PF FP M16X1,5X100 ZINC UNI 57	SCREW	VIS	SCHRAUBE	TORNILLO
#	C02603	DADO AUTOBLOC ALTO 8 M8	NUT	BOULONS	NUT	DADO
#	C02611	DADO AUTOBLOC ALTO 8 M18	NUT	BOULONS	NUT	DADO
#	C02657	DADO AUTOBLOC ALTO 8 M16X1,5	NUT	BOULONS	NUT	DADO
#	C03003	RONDELLA PIANA D.8,4 DIN125-A ZINC.	WASHER	RONDELLE	UNTERLEGSCHIEBE	ARANDELLA
#	C03007	RONDELLA PIANA D.17 DIN125-A ZINC.	WASHER	RONDELLE	UNTERLEGSCHIEBE	ARANDELLA
#	C03012	RONDELLA PIANA D.19 DIN 125-A ZINC.	WASHER	RONDELLE	UNTERLEGSCHIEBE	ARANDELLA
#	C51812	RUOTA COMPLETA PNEU 23X10,5-12 DESTRA	WHEEL	ROUE	RAD	RUEDA
#	D02006	CAVALLOTTO QUADRO M18X80X135	PIN	CAVALLIER	STIFT	Cavallotti
#	D09828	STAFFETTA ADESIVO RUOTA CARRELLO	BRACKET	SUPPORT	BUEGEL	Soporte
#	D09960	DIST.D.12 D.9 L.15	-	-	-	-
#	E09691	PROL. TUBO POSTERIORE PREPARATORE	EXTENSION	EXTENSION	VERLAENGERUNG	EXTENSION
#	E09821	SUPP. SALD. MOLLA POST. PREPARATORE	SUPPORT	SUPPORT	STUTZE	APOYO
#	E09831	BRACCIO SALD. RUOTA PREPARATORE	ARM	BRAS	ARM	BRAZO
#	M03160	MANOVELLA COMPLET. BA2-BA3 CORSA 200 ***	CRANK	MANIVELLE	SPINDEL	Manivela

S31119A - Kit attacco rapido (SK + ruote)

S31119A - Quick coupling (SK + ruote)

S31119A - Kit attaque rapide (SK + ruote)

S31119A - Installationsatz-angriff ausdrücklich (SK + ruote)



100706\_01





## Versione ruote

Tavola - Drawing  
Table - Bild

100706\_1

### S31119A - Kit attacco rapido (SK + ruote)

S31119A - Quick coupling (SK + ruote)

S31119A - Kit attaque rapide (SK + ruote)

S31119A - Installationssatz-angrif ausdrücklich (SK + ruote)

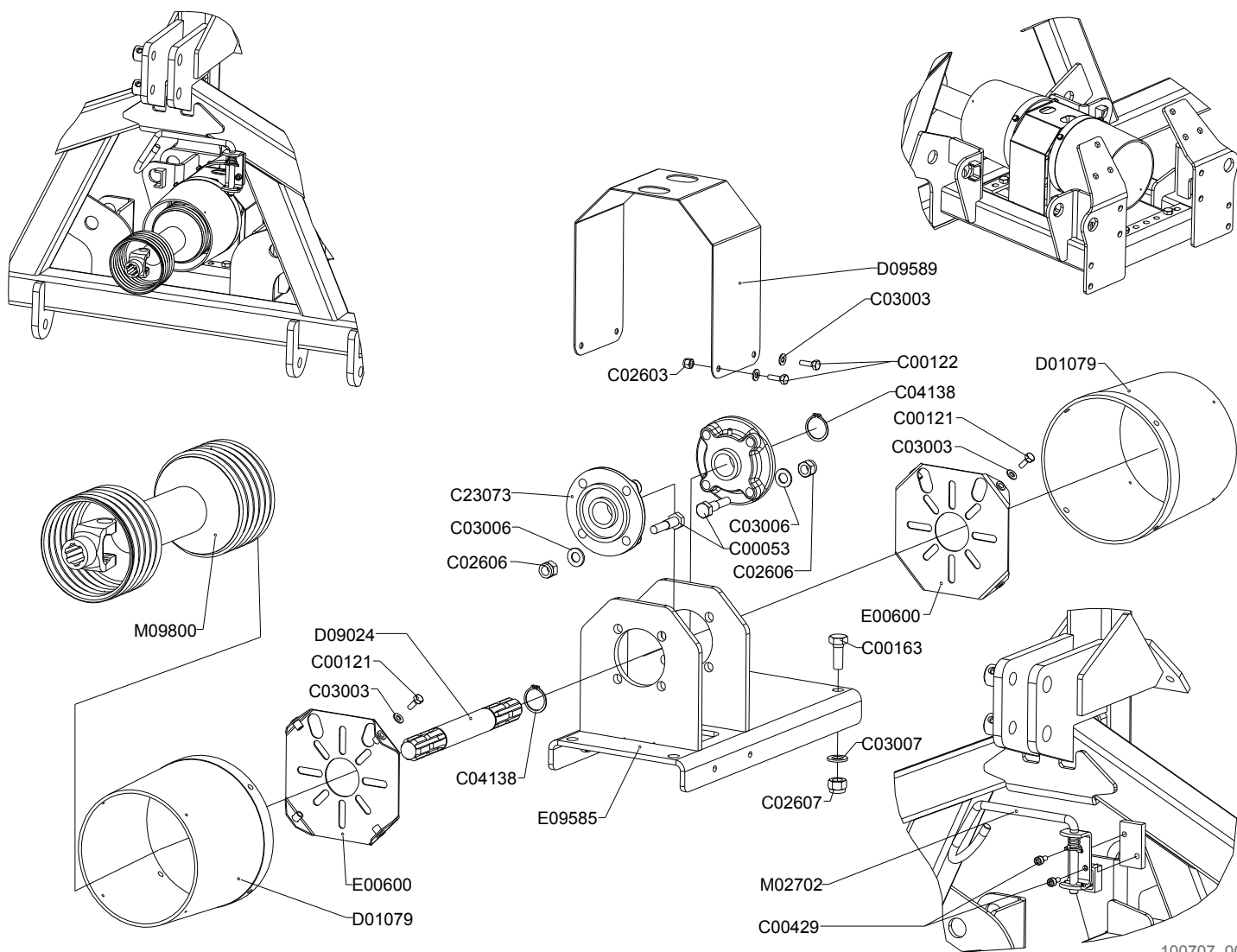
N°	Cod.	Descrizione / Description	GB	FR	D	E
#	C00238	VITE TE 88 PF FP M16X1,5X100 ZINC UNI 57	SCREW	VIS	SCHRAUBE	TORNILLO
#	C02107	DADO NORMALE 8 PG M16 UNI 5588 ZINC	NUT	BOULONS	NUT	DADO
#	C02611	DADO AUTOBLOC ALTO 8 M18	NUT	BOULONS	NUT	DADO
#	C02657	DADO AUTOBLOC ALTO 8 M16X1,5	NUT	BOULONS	NUT	DADO
#	C03010	RONDELLA PIANA D.25 DIN125-A ZINC.	WASHER	RONDELLE	UNTERLEGSCHIEBE	ARANDELLA
#	C03012	RONDELLA PIANA D.19 DIN 125-A ZINC.	WASHER	RONDELLE	UNTERLEGSCHIEBE	ARANDELLA
#	C03511	GHIERA AUTOBLOC.BASSA GUK M25X1,5	METAL RING	RONDELLE	METALL-RING	Rueda
#	C05055	SPINA A SCATTO D.10 CON TIRANTE IN GOMMA	SOCKET	GOUPILLE	STECKER	PASADOR
#	C51526	TIRANTE D.25,4 M27X3 L=340/460	TIE ROD	TIRANT	ZUGSTANGE	TIRANTE
#	C51526C	TIRANTE CRICCO D.25,4 M27X3 L=340/460	TIE ROD	TIRANT	ZUGSTANGE	TIRANTE
#	D01628	CAVALLOTTO QUADRO M18X80X120	PIN	CAVALLIER	STIFT	Cavallotti
#	D08389	PERNO D.25X152 UT. ESTR. M25X1,5 ZINC.	PIN	PIVOT	STIFT	PIN
#	D08391	PERNO D.25X96 UT. ESTR. M25X1,5 ZINC.	PIN	PIVOT	STIFT	PIN
#	D08627	BRACCIO SUPPORTO BARRA SEMINA AS1/2/3	ARM	BRAS	ARM	BRAZO
#	D08793	BARRA FILETTATA M16 L=238 ZINCATA ***	BAR	BARRE	STAB	BARRA
#	D08933	PIASTRINA GRADUATA TIRANTE C51526 SP2MM	METAL STRAP	METAL DEPLOYE	BANDEISEN	Platillo
#	D08934	SUPP.PIASTRINA GRADUATA PER C51526 2MM	-	-	-	-
#	E08485	PERNO ROND.25X85 UT.FORO D.12 ZINC***	PIN	PIVOT	STIFT	PIN
#	E08629	BRACCIO SALD. SUPP. BARRA SEMINA AS1	ARM	BRAS	ARM	BRAZO
#	E08631	GANCIO SALD. SUPP. BARRA SEMINA AS1	HOOK	ATTACHE	HAKEN	ENGANCHE
#	E08892	SUPP. SALD. PARALLELOGAMMA CARRELLO AS1	SUPPORT	SUPPORT	STUTZE	APOYO

**Kit supporto P.d.F. Saker**

Kit p.t.o. Saker

Kit prise de force Saker

Satz heckzapf welle Saker



100707\_00



# Accessori SK

Tavola - Drawing  
Table - Bild

100707\_0

## Kit supporto P.d.F. Saker

Kit p.t.o. Saker

Kit prise de force Saker

Satz heckzapf welle Saker

N°	Cod.	Descrizione / Description	GB	FR	D	E
#	C00053	VITE TE 88 PG FP M14X60 ZINC UNI 5737	SCREW	VIS	SCHRAUBE	TORNILLO
#	C00121	VITE TE 88 PG FT M8X20 ZINC UNI 5739	SCREW	VIS	SCHRAUBE	TORNILLO
#	C00122	VITE TE 88 PG FT M8X25 ZINC UNI 5739	SCREW	VIS	SCHRAUBE	TORNILLO
#	C00163	VITE TE 88 PG FT M16X40 ZINC UNI 5739	SCREW	VIS	SCHRAUBE	TORNILLO
#	C00429	VITE TCEI PG M10X20 ZINC UNI 5931	SCREW	VIS	SCHRAUBE	TORNILLO
#	C02603	DADO AUTOBLOC ALTO 8 M8	NUT	BOULONS	NUT	DADO
#	C02606	DADO AUTOBLOC ALTO 8 M14	NUT	BOULONS	NUT	DADO
#	C02607	DADO AUTOBLOC ALTO 8 M16	NUT	BOULONS	NUT	DADO
#	C03003	RONDELLA PIANA D.8,4 DIN125-A ZINC.	WASHER	RONDELLE	UNTERLEGSCHIEBE	ARANDELLA
#	C03006	RONDELLA PIANA D.15 DIN125-A ZINC.	WASHER	RONDELLE	UNTERLEGSCHIEBE	ARANDELLA
#	C03007	RONDELLA PIANA D.17 DIN125-A ZINC.	WASHER	RONDELLE	UNTERLEGSCHIEBE	ARANDELLA
#	C04138	SEEGER ALBERO D.35 UNI 7435	SEEGER	SEEGER	SEEGER	SEEGER
#	C23073	SUPPORTO UCFC 207	SUPPORT	SUPPORT	STUTZE	APOYO
#	D01079	PROTEZIONE CARDANO D.INT.220X h 200	PROTECTION	PROTECTION	SCHUTZ	PROTECCIÒN
#	D09024	"ALBERO 2 LATI SCAN. 1""3/8 Z6 LAVORATO"	SHAFT	ARBRE	WELLE	EJE
#	D09589	PROTEZIONE PDF CARRELLO PIEGH.	PROTECTION	PROTECTION	SCHUTZ	PROTECCIÒN
#	E00600	FONDELLO PROTEZIONE COMPLETO	BOTTOM	FOND	BODEN	FONDO
#	E09585	SUPPORTO PDF CARRELLO/PREPARATORE	SUPPORT	SUPPORT	STUTZE	APOYO
#	M02702	GANCIO SUPP. CARDANO COMPL.***	HOOK	ATTACHE	HAKEN	ENGANCHE
#	M09800	"CARDANO W2200-1010- 1""3/8-1""3/8"	UNIVERSAL JOINT	CARDAN	GELENKWELLE	CARDAN