

Craker

KF



www.alpego.com

Tel +39 0444/64.61.00

Fax +39 0444/64.61.99

e-mail: info@alpego.com

ALPEGO s.p.a.

Sede Amministrativa:

Via Torri di Confine, 6 36053 GAMBELLARA (VICENZA) - ITALY

Sede Legale:

Via Giovanni e Giuseppe Cenzato, 9 36045 LONIGO (VICENZA) - ITALY

Capitale sociale €2.000.000 i.v.

Cod. Fisc. / Part. IVA IT02009840246

R.E.A. 199795/VI/1996

Reg. Imp.VI N°22374/VI/1996

N. Mecc. VI 011754

Copyright © 2009 Alpego s.p.a.®

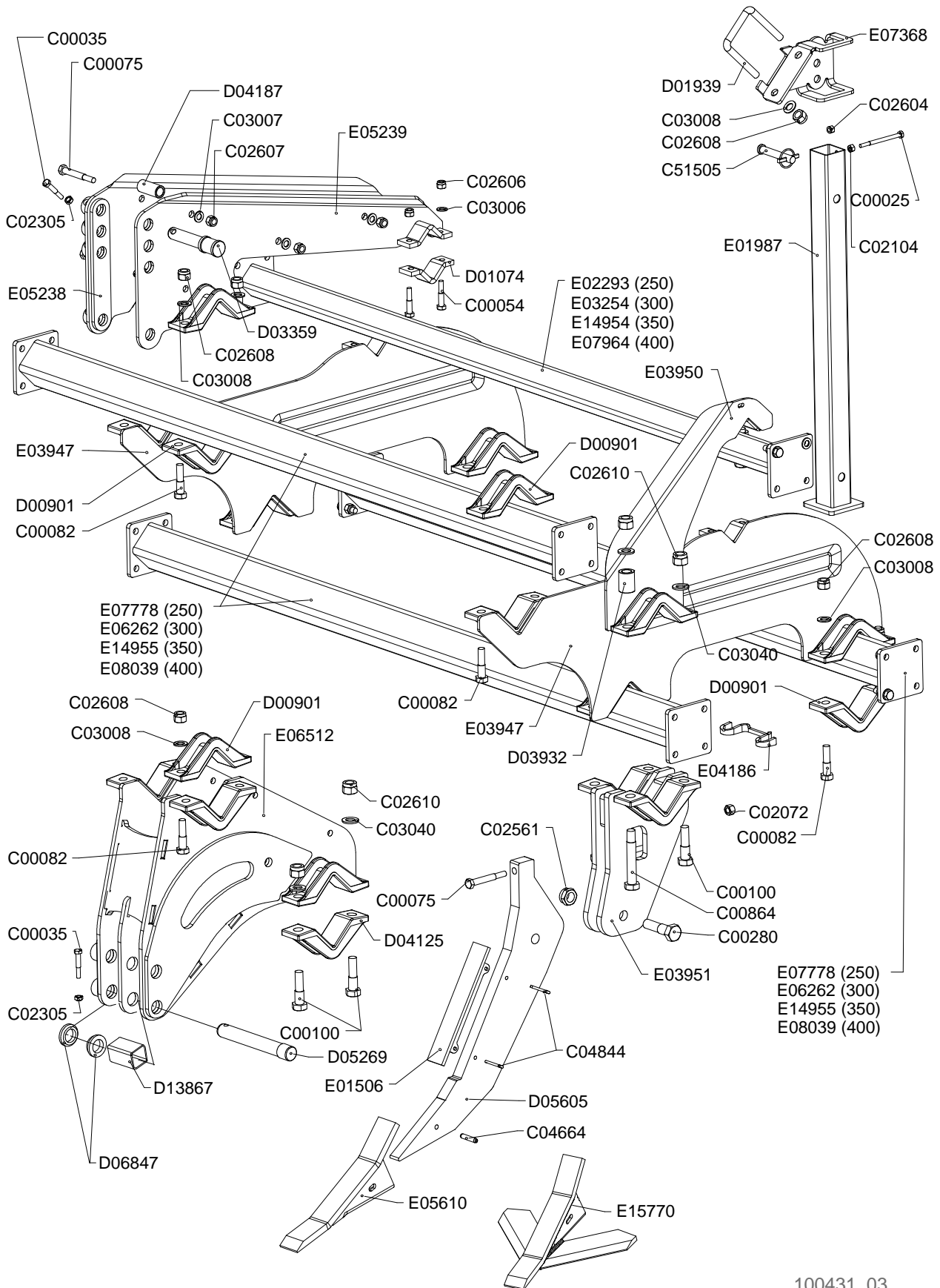
Tutti i diritti sono riservati. È vietata espressamente la ristampa o l'uso non autorizzato senza permesso scritto dalla Alpego s.p.a.

Tous droits réservés. Toute réimpression ou utilisation non autorisée sans la permission écrite de la Alpego s.p.a. est formellement interdite.

Alle Rechte vorbehalten. Nachdruck, Vervielfältigung und Verbreitung, auch auszugsweise, ist ohne schriftliche Genehmigung der Alpego s.p.a.

All rights reserved. Any reprinting or unauthorized use without the written permission of Alpego s.p.a. is expressly prohibited.

Todos los derechos reservados. Toda reproducción o uso no autorizado sin el consentimiento escrito de Alpego s.p.a. quedan expresamente prohibidos.



100431_03



Telaio
Frame
Chassis
Rahmen

Drawing Code: **100431_3**

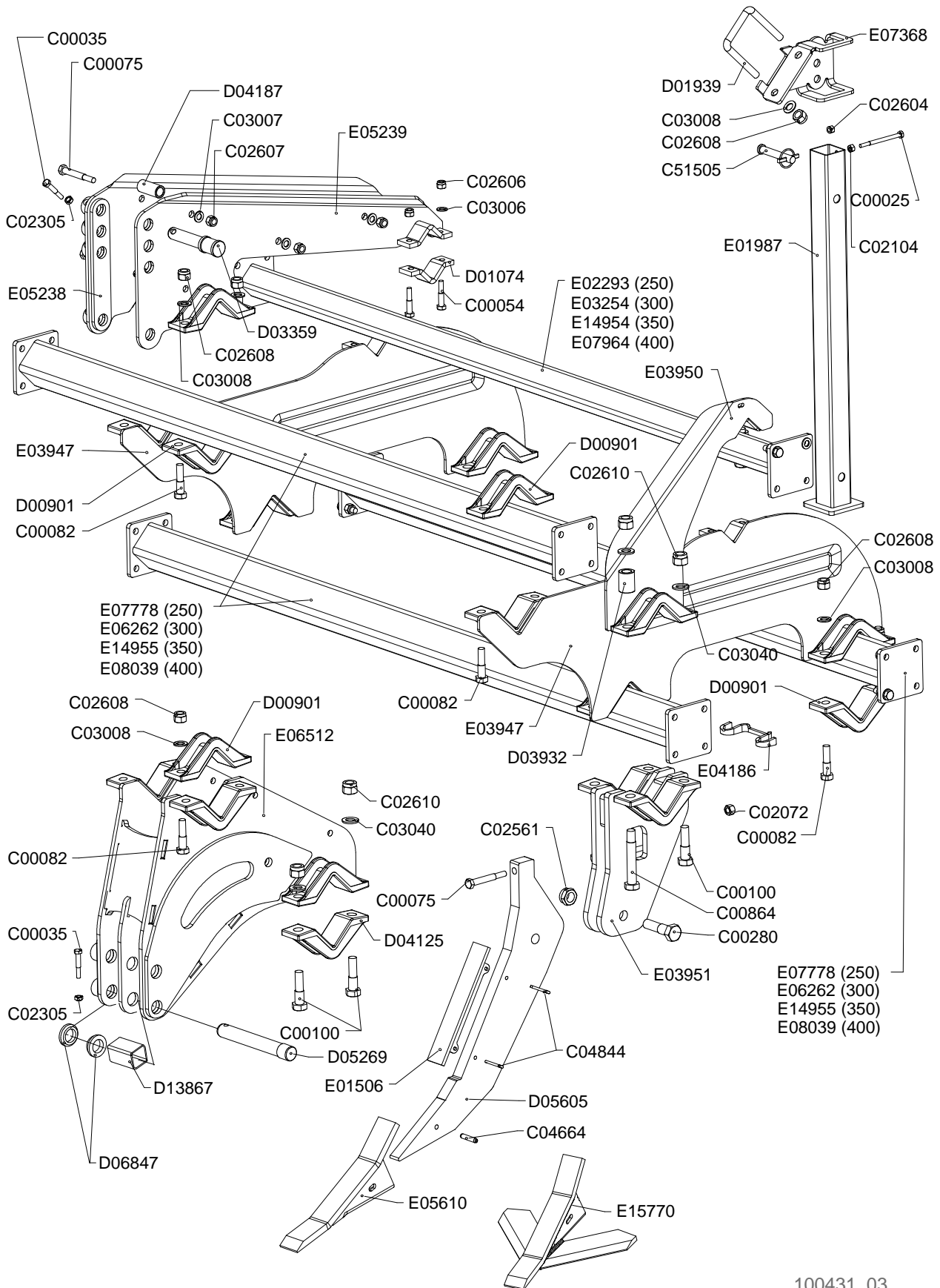
Accessories:

N°	Code	Old.	Descrizione / Description	GB	FR	D	E
#	M80A00022	C00025	VITE TE 88 PG FP M10X140 ZINC UNI 5737	SCREW	VIS	SCHRAUBE	TORNILLO
#	M80A00032	C00035	VITE TE 88 PG FP M12X70 ZINC UNI 5737	SCREW	VIS	SCHRAUBE	TORNILLO
#	M80A00047	C00054	VITE TE 88 PG FP M14X70 ZINC UNI 5737	SCREW	VIS	SCHRAUBE	TORNILLO
#	M80A00068	C00075	VITE TE 88 PG FP M16X120 ZINC UNI 5737	SCREW	VIS	SCHRAUBE	TORNILLO
#	M80A00075	C00082	VITE TE 88 PG FP M20X80 ZINC UNI 5737	SCREW	VIS	SCHRAUBE	TORNILLO
#	M80A00087	C00100	VITE TE 88 PG FP M24X90 ZINC UNI 5737	SCREW	VIS	SCHRAUBE	TORNILLO
#	M80A00212	C00280	VITE TE 88 PF FP M27X2X100 UNI 5738	SCREW	VIS	SCHRAUBE	TORNILLO
#	M80A00353	C00864	VITE TE 10.9 PG FP M24X150 UNI 5737 ZINC	SCREW	VIS	SCHRAUBE	TORNILLO
#	M85A00018	C02072	DADO ALTO 10 PG M16 5587	NUT	BOULONS	NUT	DADO
#	M85A00027	C02104	DADO NORMALE 8 PG M10 UNI 5588 ZINC	NUT	BOULONS	NUT	DADO
#	M85A00050	C02305	DADO METALBLOC M12 X 1.75	NUT	BOULONS	NUT	DADO
#	M85A00069	C02561	DADO AUTOBLOC BASSO 8 PF M27X2 H=22.5 UNI 7474	NUT	BOULONS	NUT	DADO
#	M85A00077	C02604	DADO AUTOBLOC ALTO 8 M10 H=11.5 DIN 982	NUT	BOULONS	NUT	DADO
#	M85A00079	C02606	DADO AUTOBLOC ALTO 8 M14 H=16 DIN 982	NUT	BOULONS	NUT	DADO
#	M85A00080	C02607	DADO AUTOBLOC ALTO 8 M16 H=18 DIN 982	NUT	BOULONS	NUT	DADO
#	M85A00081	C02608	DADO AUTOBLOC ALTO 8 M20 H=22 DIN 982	NUT	BOULONS	NUT	DADO
#	M85A00083	C02610	DADO AUTOBLOC ALTO 10 M24 H=28 DIN 982	NUT	BOULONS	NUT	DADO
#	M90A00009	C03006	RONDELLA PIANA D.15 DIN125-A ZINC.	WASHER	RONDELLE	UNTERLEGSCHIEBE	ARANDELLA
#	M90A00010	C03007	RONDELLA PIANA D.17 DIN125-A ZINC.	WASHER	RONDELLE	UNTERLEGSCHIEBE	ARANDELLA
#	M90A00011	C03008	RONDELLA PIANA D.21 DIN125-A ZINC.	WASHER	RONDELLE	UNTERLEGSCHIEBE	ARANDELLA
#	M90A00023	C03040	ROND. PIANA D.25 DIN 6916 ALTA RES. ZINCATA DEIDROGENA1	WASHER	RONDELLE	UNTERLEGSCHIEBE	ARANDELLA
#	MB0A00075	C04664	SPINA SPIROL D.12X60	SOCKET	GOUPILLE	STECKER	PASADOR
#	MB5A00022	C04844	COPPIGLIA D.6,3X60	COTTER PIN	GOUPILLE	SPLINT	COPPIGLIA
#	M15A00004	C51505	PERNO 3P. D.19 CON CAT.	PIN	PIVOT	STIFT	PIN
#	B65A00014	D00901	MORSETTO PER TUBO 100X100 D.22***	TERMINAL	TERMINAL	TERMINAL	TERMINALES
#	C10A01096	D01074	MORSETTO DIAGONALE 70X70***	TERMINAL	TERMINAL	TERMINAL	TERMINALES
#	MD5A00005	D01939	CAVALLOTTO QUADRO M20X100X145	PIN	CAVALLIER	STIFT	CAVALLOTTI
#	M15A00046	D03359	PERNO D.31,7X109 UT.FOROD.13 BON+ZINC***	PIN	PIVOT	STIFT	PIN
#	C00A00148	D03932	DIST. D.42,4 D.26,4 L.55 KF ZINC	SPACER	ENTRETOISE	ABSTANDSTUECK	ESPACIADORES
#	B65A00022	D04125	MORSETTO PER TUBO 100X100 D.26 ***	TERMINAL	TERMINAL	TERMINAL	TERMINALES
#	C00A00154	D04187	DIST. D.33,7 D.23,7 L.75 KE-KF ZINC	SPACER	ENTRETOISE	ABSTANDSTUECK	ESPACIADORES
#	M15A00062	D05269	PERNO D.36,5X230 UT.FORO D.13 BON+ZINC	PIN	PIVOT	STIFT	PIN
#	C15A00392	D05605	ANCORA KFR RAPIDO (FORO D=18)***	TYNE	DENT	SCHAR	ANCLA
#	C15A00441	D06847	DIST. D.60,3 D.37,5 L.12 ZINC***	SPACER	ENTRETOISE	ABSTANDSTUECK	ESPACIADORES
#	C00A00701	D13867	TUBO QUADRO 50X50X5X71 ATTACCO KF/K2	TUBE	TUBE	ROHR	TUBO
#	C20A00209	E01506	PROTEZIONE ANCORA KFR-K2	PROTECTION	PROTECTION	SCHUTZ	PROTECCIÓN
#	C20A00344	E01987	GAMBA KD-KE-SKAT	LEG	BEQUILLE	BEIN	PATA
#	C20A00385	E02293	TUBO SUP. CON FLANGE KD7-KER 70X70X2416***	TUBE	TUBE	ROHR	TUBO
#	C20A00587	E03254	TUBO SUP. KD/KER/KF-7/3000 70X70X2972 ***	TUBE	TUBE	ROHR	TUBO
#	C20A00724	E03947	FIANCATA TELAIO KER - KF	SIDE	LONG	NEBEN	JUNTO
#	C20A00727	E03950	RINFORZO FIANCATA TELAIO KF-KE	REINFORCEMENT	RENFORT	VERSTAERKUNG	REFUERZO
#	C20A00728	E03951	SUPPORTO ANCORA KF	SUPPORT	SUPPORT	STUTZE	APOYO
#	C10A03432	E04186	SPESSORE POST. ANCORA KF 8MM	THICKNESS	CALES	DICKE	ESPESOR
#	C20A00986	E05238	FIANCO DESTRO TERZO PUNTO KF (J.D.)	SIDE	LONG	NEBEN	JUNTO
#	C20A00987	E05239	FIANCO SINISTRO TERZO PUNTO KF (J.D.)	SIDE	LONG	NEBEN	JUNTO
#	MK0A00165	E05610	VOMERE CRAKER RAPIDO PER KFR	PLOUGHSHARE	SOC	PFLUGSCHAR	REJA
#	C20A01145	E06262	TUBO INF KF-7/3000 100X100X2972 STRUT***	TUBE	TUBE	ROHR	TUBO
#	C20A01186	E06512	ATTACCO TRATT. KFR BASSO	CONNECTION	ATTELAGE	ANSCHLUSS	ATAQUE
#	C20A01321	E07368	SUPPORTO GAMBA 2?VERS. KD-KE-KF	SUPPORT	SUPPORT	STUTZE	APOYO

Copyright © 2009 Alpego s.p.a. ®

Tutti i diritti sono riservati. È vietata espressamente la ristampa o l'uso non autorizzato senza permesso scritto dalla Alpego s.p.a.
Tous droits réservés. Toute réimpression ou utilisation non autorisée sans la permission écrite de la Alpego s.p.a. est formellement interdite.
Alle Rechte vorbehalten. Nachdruck, Vervielfältigung und Verbreitung, auch auszugsweise, ist ohne schriftliche Genehmigung der Alpego s.p.a.
All rights reserved. Any reprinting or unauthorized use without the written permission of Alpego s.p.a. is expressly prohibited.
Todos los derechos reservados. Toda reproducción o uso no autorizado sin el consentimiento escrito de Alpego s.p.a. quedan expresamente prohibidos.

20/05/2013



100431_03



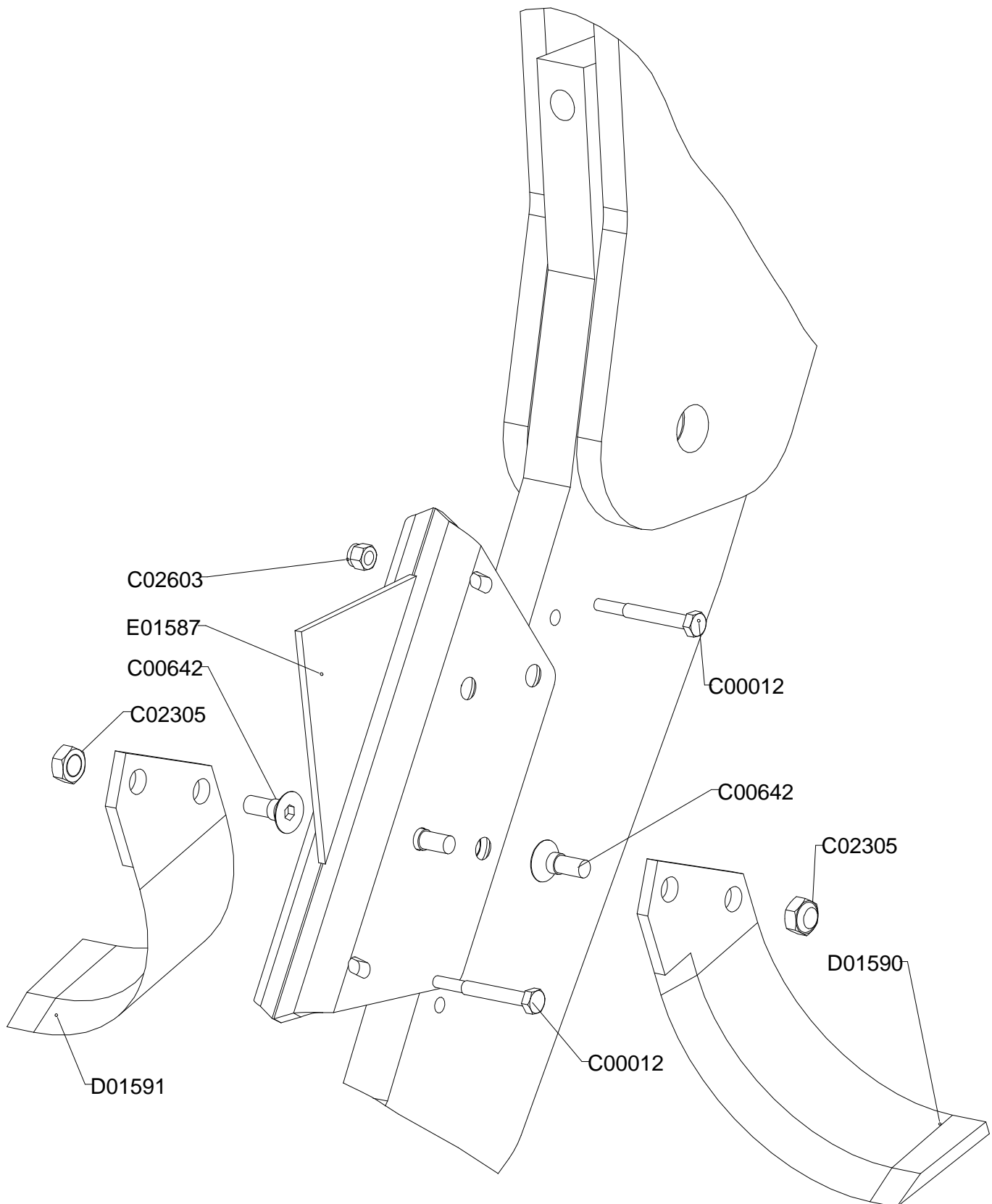
Telaio
 Frame
 Chassis
 Rahmen

Drawing Code: **100431_3**

Accessories:

N°	Code	Old.	Descrizione / Description
#	C20A01380	E07778	TUBO INF. KF5-250 100X100X2416 STRUTT***
#	C20A01408	E07964	TUBO SUP. KF9-4000 70X70X5X3906 ***
#	C20A01422	E08039	TUBO INF K2-9/400 100X100X3906 STRUTT***
#	C20A02319	E14954	TUBO SUP. KD/KER/KF-7/3500 70X70X3404 ***
#	C20A02320	E14955	TUBO INF KF-7/3500 100X100X3404 STRUT***
#	MK0A00273	E15770	VOMERE DEK CRAKER KFR / K2

GB	FR	D	E
TUBE	TUBE	ROHR	TUBO
TUBE	TUBE	ROHR	TUBO
TUBE	TUBE	ROHR	TUBO
TUBE	TUBE	ROHR	TUBO
TUBE	TUBE	ROHR	TUBO
PLOUGHSHARE	SOC	PFLUGSCHAR	REJA



100071_01



Esplosore ad alette Craker

Soil sweep Craker

Exploseur a ailerons Craker

Spezialmesser zum Craker

Drawing Code:

100071_1

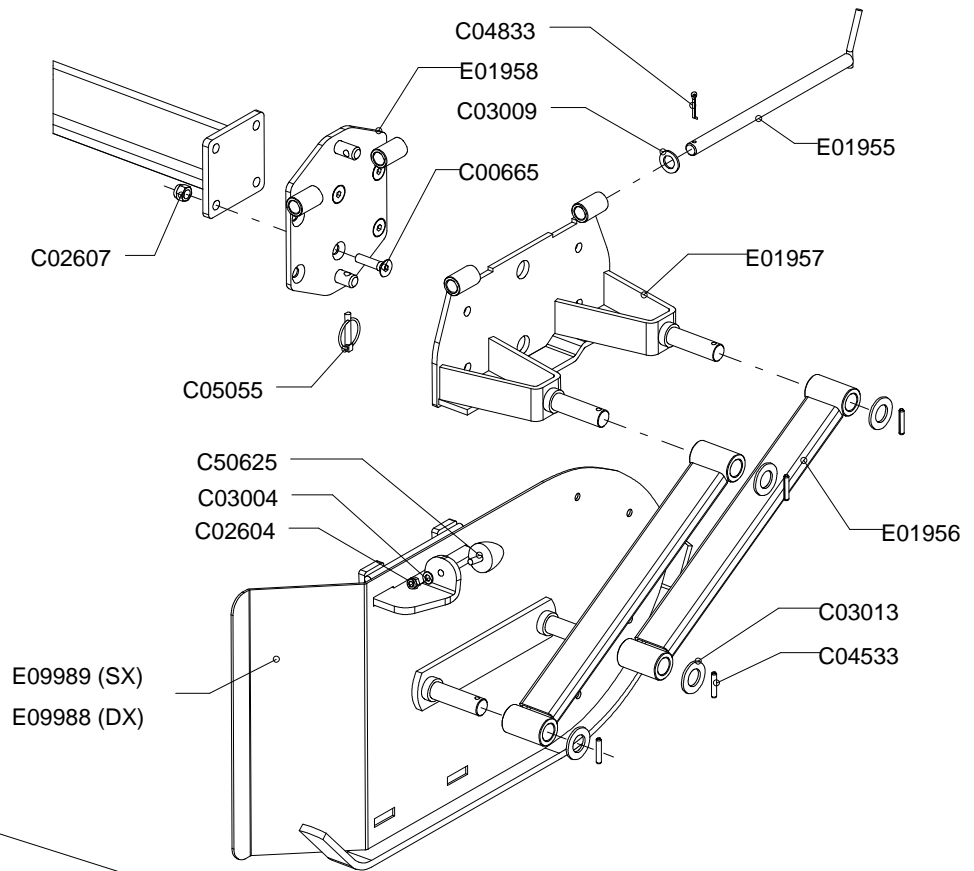
Accessories:

S85A00021

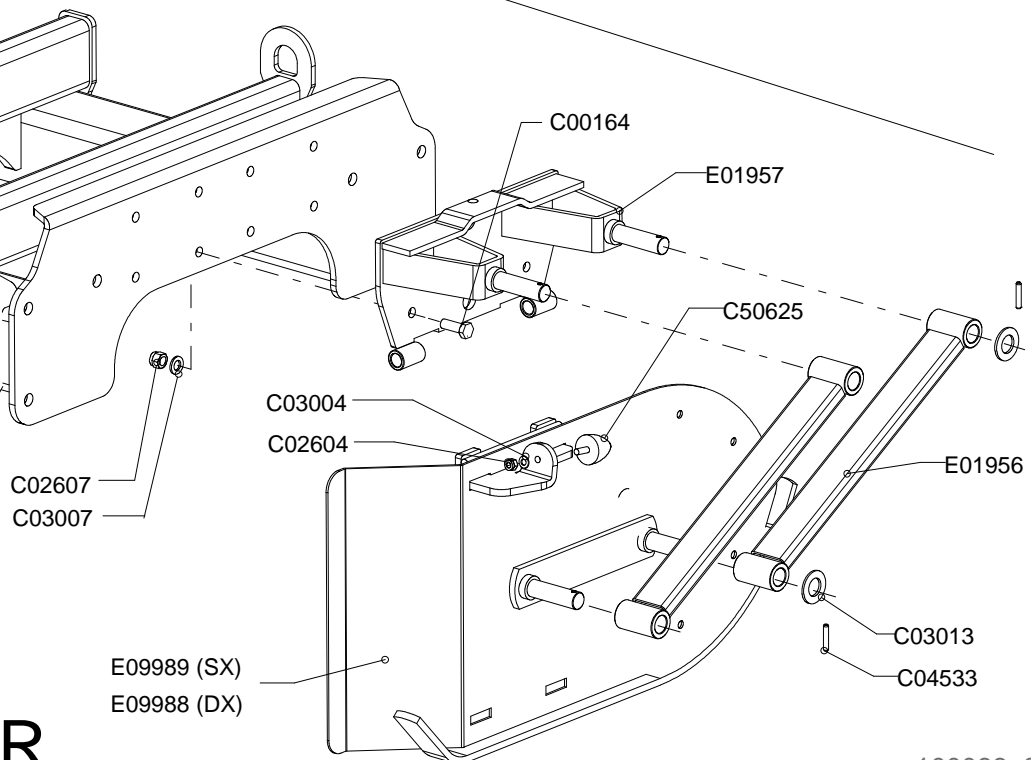
N°	Code	Old.	Descrizione / Description
#	M80A00009	C00012	VITE TE 88 PG FP M8X70 ZINC UNI 5737
#	M80A00290	C00642	VITE TSPEI 10.9 PG M12X30 UNI 5933
#	M85A00050	C02305	DADO METALBLOC M12 X 1.75
#	M85A00075	C02603	DADO AUTOBLOC ALTO 8 M8 H=9.5 DIN 982
#	MK0A00036	D01590	ZAPPETTA ELICOID.DESTRA- (80X8)
#	MK0A00037	D01591	ZAPPETTA ELICOID.SINISTRA (80X8)
#	C20A00233	E01587	SUPPORTO ALETTE KFR (VERNICIATI GIALLO ALPEGO)

GB	FR	D	E
SCREW	VIS	SCHRAUBE	TORNILLO
SCREW	VIS	SCHRAUBE	TORNILLO
NUT	BOULONS	NUT	DADO
NUT	BOULONS	NUT	DADO
HOE	LAME	HACKE	CUCHILLA
HOE	LAME	HACKE	CUCHILLA
SUPPORT	SUPPORT	STUTZE	APOYO

CRAKER SKAT



MEGA CRAKER



100066_03



Kit contenimento zolle

Side plate kit

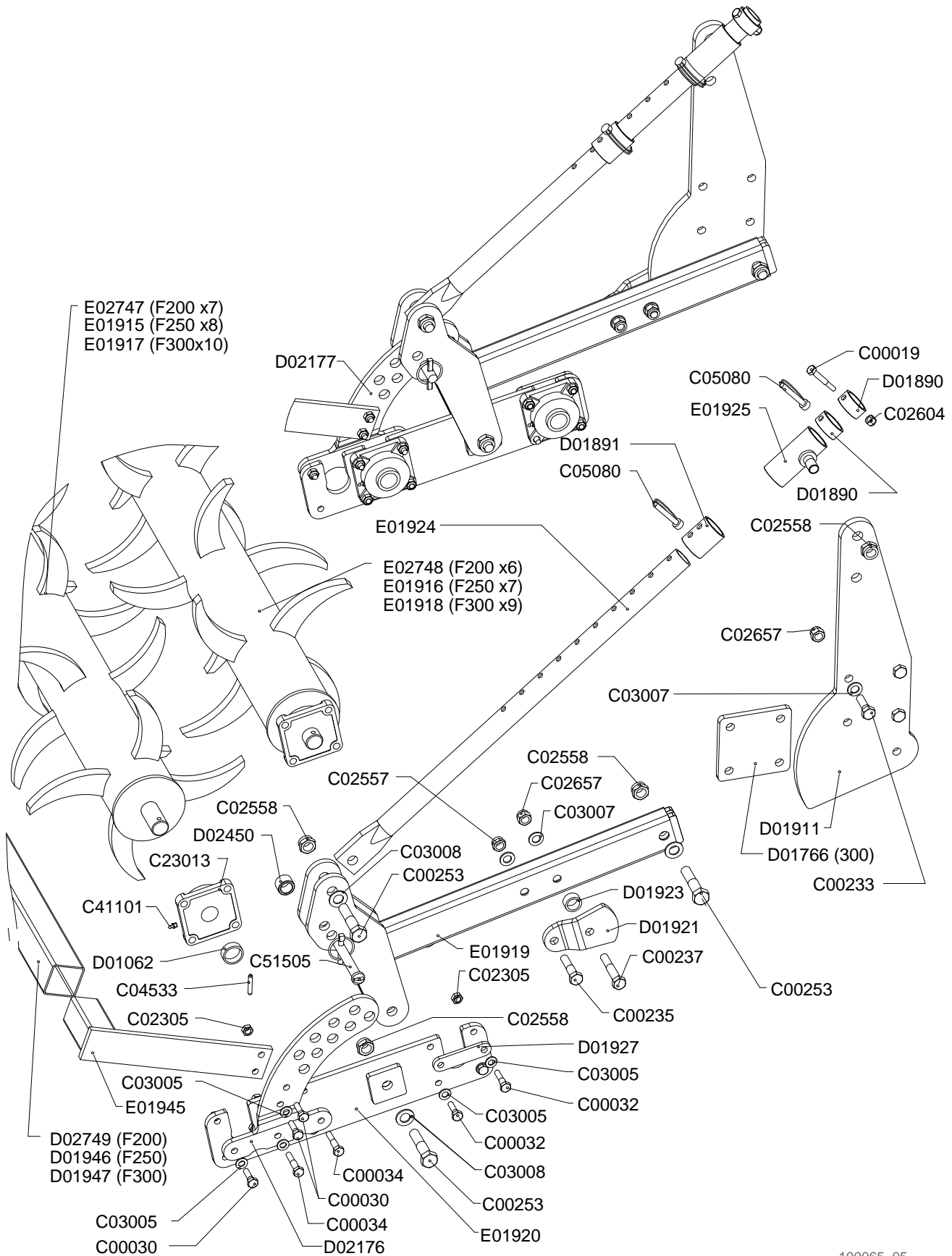
Kit de maintien des mottes

Satz Einschränkung Erdschollen

Drawing Code: **100066_3**

Accessories: S85A00003

N°	Code	Old.	Descrizione / Description	GB	FR	D	E
#	M80A00150	C00164	VITE TE 88 PG FT M16X45 ZINC UNI 5739	SCREW	VIS	SCHRAUBE	TORNILLO
#	M80A00309	C00665	VITE TSPEI 10.9 PG M16X60 ZINC UNI 5933	SCREW	VIS	SCHRAUBE	TORNILLO
#	M85A00077	C02604	DADO AUTOBLOC ALTO 8 M10 H=11.5 DIN 982	NUT	BOULONS	NUT	DADO
#	M85A00080	C02607	DADO AUTOBLOC ALTO 8 M16 H=18 DIN 982	NUT	BOULONS	NUT	DADO
#	M90A00007	C03004	RONDELLA PIANA D.10.5 DIN125-A ZINC.	WASHER	RONDELLE	UNTERLEGSCHIEBE	ARANDELLA
#	M90A00010	C03007	RONDELLA PIANA D.17 DIN125-A ZINC.	WASHER	RONDELLE	UNTERLEGSCHIEBE	ARANDELLA
#	M90A00012	C03009	RONDELLA PIANA D.23 DIN125-A ZINC	WASHER	RONDELLE	UNTERLEGSCHIEBE	ARANDELLA
#	M90A00016	C03013	RONDELLA PIANA D.31 DIN 125-A ZINC.	WASHER	RONDELLE	UNTERLEGSCHIEBE	ARANDELLA
#	MB0A00022	C04533	SPINA ELASTICA D.8X45	SOCKET	GOUPILLE	STECKER	PASADOR
#	MB5A00016	C04833	COPPIGLIA D.5X40	COTTER PIN	GOUPILLE	SPLINT	COPPIGLIA
#	MB0A00096	C05055	SPINA A SCATTO D.10 CON TIRANTE IN GOMMA	SOCKET	GOUPILLE	STECKER	PASADOR
#	MG5A00007	C50625	ANTIVIBRANTE A PARABOLA D.50X50 M10	VIBRATION-PROOF	ANTI-VIBRATION	SCHWINGUNGSFREIE-	Soportes
#	C20A00328	E01955	PERNO D.22x407 UT.FORO D.6 SALD zinc***	PIN	PIVOT	STIFT	PIN
#	C20A00329	E01956	BRACCIO MOBILE CONT.ZOLLE***	ARM	BRAS	ARM	BRAZO
#	C20A00330	E01957	PIASTRA ESTERNA CON PERNI CONT.ZOLLE***	PLATE	PLAQUE	PLATTE	PLACA
#	C20A00331	E01958	PIASTRA INTERNA CONT.ZOLLE***	PLATE	PLAQUE	PLATTE	PLACA
#	C20A01706	E09988	FIANCATA DESTRA CONT. ZOLLE 2°vers	SIDE	LONG	NEBEN	JUNTO
#	C20A01707	E09989	FIANCATA SINISTRA CONT. ZOLLE 2°vers	SIDE	LONG	NEBEN	JUNTO





Rullo franter
Franter roller
Rouleau franter
Franter walze

Drawing Code: **100065_6**

Accessories: S30A00001 - S30A00002 - S30A00003 - S30A00004

N°	Code	Old.	Descrizione / Description	GB	FR	D	E
#	M80A00016	C00019	VITE TE 88 PG FP M10X70 ZINC UNI 5737	SCREW	VIS	SCHRAUBE	TORNILLO
#	M80A00027	C00030	VITE TE 88 PG FP M12X40 ZINC UNI 5737	SCREW	VIS	SCHRAUBE	TORNILLO
#	M80A00029	C00032	VITE TE 88 PG FP M12X50 ZINC UNI 5737	SCREW	VIS	SCHRAUBE	TORNILLO
#	M80A00031	C00034	VITE TE 88 PG FP M12X60 ZINC UNI 5737	SCREW	VIS	SCHRAUBE	TORNILLO
#	M80A00182	C00233	VITE TE 88 PF FP M16X1,5X60 ZINC UNI 573	SCREW	VIS	SCHRAUBE	TORNILLO
#	M80A00184	C00235	VITE TE 88 PF FP M16X1,5X70 ZINC UNI 573	SCREW	VIS	SCHRAUBE	TORNILLO
#	M80A00186	C00237	VITE TE 88 PF FP M16X1,5X90 ZINC UNI 573	SCREW	VIS	SCHRAUBE	TORNILLO
#	M80A00198	C00253	VITE TE 88 PF FP M20X1,5X90 ZINC UNI 573	SCREW	VIS	SCHRAUBE	TORNILLO
#	M85A00050	C02305	DADO METALBLOC M12 X 1.75	NUT	BOULONS	NUT	DADO
#	M85A00065	C02557	DADO AUTOBLOC BASSO 8 PF M16X1,5 H=16 DIN 985	NUT	BOULONS	NUT	DADO
#	M85A00066	C02558	DADO AUTOBLOC BASSO 8 PF M20X1,5 H=20 DIN 985	NUT	BOULONS	NUT	DADO
#	M85A00077	C02604	DADO AUTOBLOC ALTO 8 M10 H=11.5 DIN 982	NUT	BOULONS	NUT	DADO
#	M85A00089	C02657	DADO AUTOBLOC ALTO 8 M16X1,5 H=18 DIN 982	NUT	BOULONS	NUT	DADO
#	M90A00008	C03005	RONDELLA PIANA D.13 DIN125-A ZINC.	WASHER	RONDELLE	UNTERLEGSCHIEBE	ARANDELLA
#	M90A00010	C03007	RONDELLA PIANA D.17 DIN125-A ZINC.	WASHER	RONDELLE	UNTERLEGSCHIEBE	ARANDELLA
#	M90A00011	C03008	RONDELLA PIANA D.21 DIN125-A ZINC.	WASHER	RONDELLE	UNTERLEGSCHIEBE	ARANDELLA
#	MB0A00022	C04533	SPINA ELASTICA D.8X45	SOCKET	GOUPILLE	STECKER	PASADOR
#	MB0A00101	C05080	SPINOTTO PER MOTOZAPPA D.10X60 UTILE	PIN	GOUPILLE	STIFT	PASADOR
#	M30A00004	C23013	SUPPORTO UCF 207	SUPPORT	SUPPORT	STUTZE	APOYO
#	MJ5A00001	C41101	INGRASSATORE M6X1 DIRITTO	GREASE NIPPLE	GRAISSOR	FETTBUCHSE	ENGRASADOR
#	M15A00004	C51505	PERNO 3P. D.19 CON CAT.	PIN	PIVOT	STIFT	PIN
#	C00A00006	D01062	DIST. D.42,4 D.35,5 L.14	SPACER	ENTRETOISE	ABSTANDSTUECK	ESPACIADORES
#	C05A04022	D01766	PIASTRA FORATA 145X145X12MM	PLATE	PLAQUE	PLATTE	PLACA
#	C15A00112	D01890	DIST. D.54,4 D.45 L.25+FORO D.11 ZINC***	SPACER	ENTRETOISE	ABSTANDSTUECK	ESPACIADORES
#	C15A00113	D01891	DIST. D.54,4 D.45 L.65+2FORI D.11 ZINC**	SPACER	ENTRETOISE	ABSTANDSTUECK	ESPACIADORES
#	C05A04034	D01911	FIANCATA ATTACCO FRANTER 15MM	SIDE	LONG	NEBEN	JUNTO
#	C10A01171	D01921	STAFFA LATERALE FRANTER 12MM	BRACKET	SUPPORT	BUEGEL	SOPORTE
#	C00A00044	D01923	DIST. D.33,7 d.25,5 L.16	SPACER	ENTRETOISE	ABSTANDSTUECK	ESPACIADORES
#	C05A04038	D01927	PIASTRINA APPOGGIO 60X8X130 8MM	METAL STRAP	METAL DEPLOYE	BANDEISEN	PLATILLO
#	C00A00045	D01946	PROTEZIONE POST.FRANter 250 70X70X2330	PROTECTION	PROTECTION	SCHUTZ	PROTECCIÓN
#	C00A00046	D01947	PROTEZIONE POST.FRANter 300 70X70X2886	PROTECTION	PROTECTION	SCHUTZ	PROTECCIÓN
#	C10A01182	D02176	REGISTRO SAGOMATO DES FRANter	REGISTER	REGISTRE	REGISTRIEREN	REGISTRO
#	C10A01183	D02177	REGISTRO SAGOMATO SIN. FRANter	REGISTER	REGISTRE	REGISTRIEREN	REGISTRO
#	C00A00057	D02450	DIST. D.33,7 d.23,7 L.23	SPACER	ENTRETOISE	ABSTANDSTUECK	ESPACIADORES
#	C00A00082	D02749	PROTEZIONE POSTERORE FRANter F200	PROTECTION	PROTECTION	SCHUTZ	PROTECCIÓN
#	C20A00311	E01915	RULLO FRANter F250 8 FILE	ROLLER	ROULEAU	WALZE	RODILLO
#	C20A00312	E01916	RULLO FRANter F250 7 FILE	ROLLER	ROULEAU	WALZE	RODILLO
#	C20A00313	E01917	RULLO FRANter F300 10 FILE	ROLLER	ROULEAU	WALZE	RODILLO
#	C20A00314	E01918	RULLO FRANter F300 9 FILE	ROLLER	ROULEAU	WALZE	RODILLO
#	C20A00315	E01919	BRACCIO ATTACCO RULLI FRANter***	ARM	BRAS	ARM	BRAZO
#	C20A00316	E01920	FIANCATINA MOBILE FRANter	SIDE	LONG	NEBEN	JUNTO
#	C20A00317	E01924	PUNTONE REGISTRO FRANter***	TIP	POINTE	SPITZE	PUNTA
#	C20A00318	E01925	DIST. D.54,4 D.45 L.25 CON PERNO ZINC***	SPACER	ENTRETOISE	ABSTANDSTUECK	ESPACIADORES
#	C20A00325	E01945	BRACCIO SUPPORTO BARRA FRANter	ARM	BRAS	ARM	BRAZO
#	C20A00491	E02747	RULLO FRANter F200 7 File	ROLLER	ROULEAU	WALZE	RODILLO
#	C20A00492	E02748	RULLO FRANter F200 6 File	ROLLER	ROULEAU	WALZE	RODILLO

Rulli franter idraulici F1

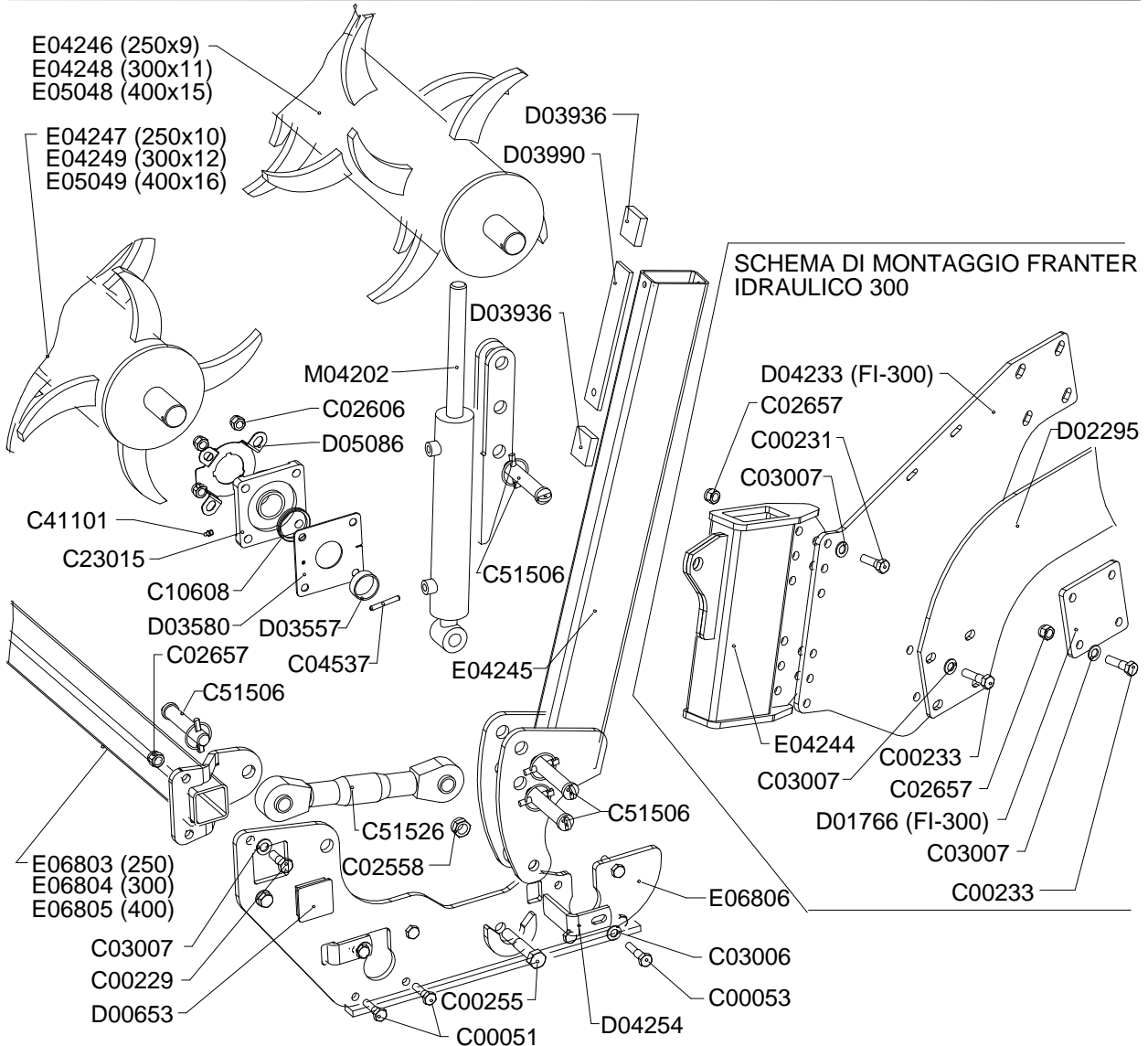
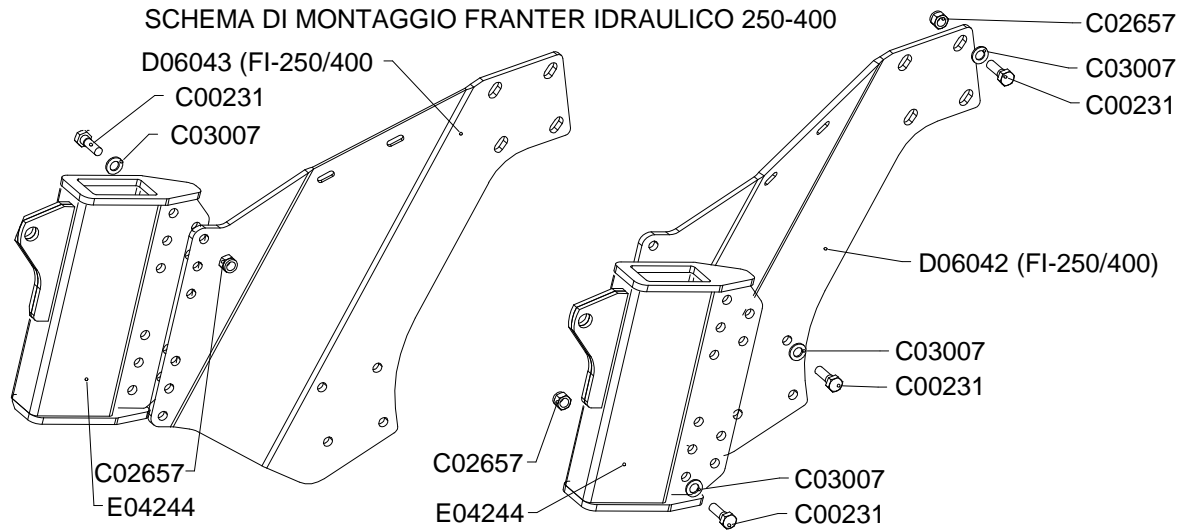
Franter hidraulic rollers F1

Rouleau franter hydrauliques F1

Hydraulik franter walze F1

Drawing Code: **100206_5**

Accessories: S30A00006 - S30A00009 - S30A00012



100206_05



Rulli franter idraulici F1

Franter hidraulic rollers F1

Rouleau franter hydrauliques F1

Hydraulik franter walze F1

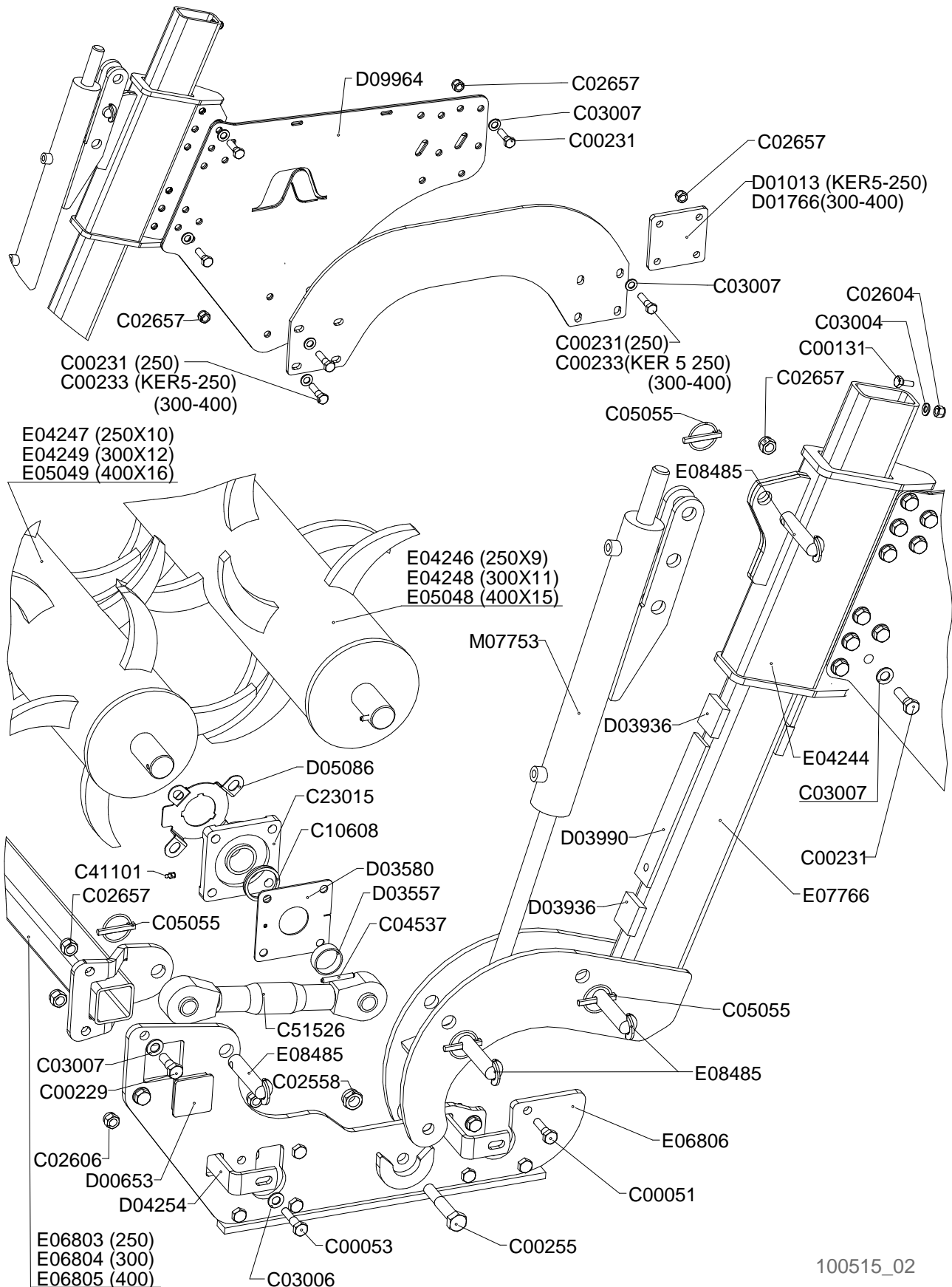
Drawing Code:

100206_5

Accessories:

S30A00006 - S30A00009 - S30A00012

N°	Code	Old.	Descrizione / Description	GB	FR	D	E
#	M80A00044	C00051	VITE TE 88 PG FP M14X50 ZINC UNI 5737	SCREW	VIS	SCHRAUBE	TORNILLO
#	M80A00046	C00053	VITE TE 88 PG FP M14X60 ZINC UNI 5737	SCREW	VIS	SCHRAUBE	TORNILLO
#	M80A00179	C00229	VITE TE 10.9 M16X1,5X45 ZINC F25	SCREW	VIS	SCHRAUBE	TORNILLO
#	M80A00180	C00231	VITE TE 88 PF FP M16X1,5X50 ZINC UNI 573	SCREW	VIS	SCHRAUBE	TORNILLO
#	M80A00182	C00233	VITE TE 88 PF FP M16X1,5X60 ZINC UNI 573	SCREW	VIS	SCHRAUBE	TORNILLO
#	M80A00200	C00255	VITE TE 88 PF FP M20X1,5X110 ZINC UNI 57	SCREW	VIS	SCHRAUBE	TORNILLO
#	M85A00066	C02558	DADO AUTOBLOC BASSO 8 PF M20X1,5 H=20 DIN 985	NUT	BOULONS	NUT	DADO
#	M85A00079	C02606	DADO AUTOBLOC ALTO 8 M14 H=16 DIN 982	NUT	BOULONS	NUT	DADO
#	M85A00089	C02657	DADO AUTOBLOC ALTO 8 M16X1,5 H=18 DIN 982	NUT	BOULONS	NUT	DADO
#	M90A00009	C03006	RONDELLA PIANA D.15 DIN125-A ZINC.	WASHER	RONDELLE	UNTERLEGSCHIEBE	ARANDELLA
#	M90A00010	C03007	RONDELLA PIANA D.17 DIN125-A ZINC.	WASHER	RONDELLE	UNTERLEGSCHIEBE	ARANDELLA
#	MB0A00025	C04537	SPINA ELASTICA D.8X60	SOCKET	GOUPILLE	STECKER	PASADOR
#	H10A00002	C10608	ANELLO V-RING D.INT.54X9 (CR400600)	RING	AMORTISSEUR	RING	ANILLO
#	M30A00007	C23015	SUPPORTO UCF 209	SUPPORT	SUPPORT	STUTZE	APOYO
#	MJ5A00001	C41101	INGRASSATORE M6X1 DIRITTO	GREASE NIPPLE	GRAISSOR	FETTBUCHSE	ENGRASADOR
#	M15A00005	C51506	PERNO 3?. D.25 CON CAT.(ART.33457)	PIN	PIVOT	STIFT	PIN
#	ME0A00008	C51526	TIRANTE D.25,4 M27X3 L=340/460	TIE ROD	TIRANT	ZUGSTANGE	TIRANTE
#	G00A00005	D00653	TAPPO IN GOMMA PER TUBO Q.70X70	PLUG	BOUCHON	STOEPSSEL	ENCHUFE
#	C05A04022	D01766	PIASTRA FORATA 145X145X12MM	PLATE	PLAQUE	PLATTE	PLACA
#	C05A04091	D02295	FIANCATINA RINFORZO KIT KF 10MM	SIDE	LONG	NEBEN	JUNTO
#	C00A00126	D03557	DIST. D.50 d.46 L.17	SPACER	ENTRETOISE	ABSTANDSTUECK	ESPACIADORES
#	C05A04324	D03580	SCHERMO PIANO UCF-209 3MM	SCREEN	ECRAN	SCHIRM	PANTALLA
#	G10A00042	D03936	PATTINO IN NYLON 55X15X55	SKID	PATINS	KUFE	PATIN
#	C05A04377	D03990	PIATTO FERMO PATTINI NYLON	METAL STRAP	METAL DEPLOYE	BANDEISEN	PLATILLO
#	C05A04424	D04233	FIANCATA FRANTER IDRAULICO 12mm	SIDE	LONG	NEBEN	JUNTO
#	C10A01427	D04254	PULIRULLO FRANTER IDR.	ROLLER SCRAPER	DECROTTEUR ROULEAU	WALZENABSTREIFER	POLIRULO
#	C10A01556	D05086	SCHERMO STAMP. UCF 209 SP2MM	SCREEN	ECRAN	SCHIRM	PANTALLA
#	C10A01698	D06042	FIANCATA FRANTER IDR. 250/400 DESTRA	SIDE	LONG	NEBEN	JUNTO
#	C10A01699	D06043	FIANCATA FRANTER IDR. 250/400 SINISTRA	SIDE	LONG	NEBEN	JUNTO
#	C20A00787	E04244	GUIDA BRACCIO FRANTER IDR.***	RAIL	GUIDE	SCHIENE	GUÍA
#	C20A00788	E04245	BRACCIO FRANTER IDRAULICO	ARM	BRAS	ARM	BRAZO
#	C20A00789	E04246	RULLO FRANTER IDR. 250 - 9 FILE	ROLLER	ROULEAU	WALZE	RODILLO
#	C20A00790	E04247	RULLO FRANTER IDR. 250 - 10 FILE	ROLLER	ROULEAU	WALZE	RODILLO
#	C20A00791	E04248	RULLO FRANTER IDR. 300 - 11 FILE	ROLLER	ROULEAU	WALZE	RODILLO
#	C20A00792	E04249	RULLO FRANTER IDR. 300 - 12 FILE	ROLLER	ROULEAU	WALZE	RODILLO
#	C20A00954	E05048	RULLO FRANTER IDR. 400 - 15 FILE	ROLLER	ROULEAU	WALZE	RODILLO
#	C20A00955	E05049	RULLO FRANTER IDR. 400 - 16 FILE	ROLLER	ROULEAU	WALZE	RODILLO
#	C20A01237	E06803	TELAIO POST. RINFORZATO FRANTER IDR. 250	FRAME	CHASSIS	RAHMEN	MARCO
#	C20A01238	E06804	TELAIO POST. RINFORZATO FRANTER IDR. 300	FRAME	CHASSIS	RAHMEN	MARCO
#	C20A01239	E06805	TELAIO POST. RINFORZATO FRANTER IDR. 400	FRAME	CHASSIS	RAHMEN	MARCO
#	C20A01240	E06806	FIANCO FRANTER IDR. RINFORZATO	SIDE	LONG	NEBEN	JUNTO
#	H80A00015	M04202	CILINDRO D.60 C.250 S.30 PASSANTE	CYLINDER	CYLINDRE	ZYLINDER	CILÍNDRICA



100515_02



S14101,S14102,S14103 - Coppia rulli franter idraulici F2

S14101,S14102,S14103 - Franter hidraulic roller F2

S14101,S14102,S14103 - Rouleau franter hydrauliques F2

S14101,S14102,S14103 - Hydraulik franter walze F2

Drawing Code: **100515_2**

Accessories: S30A00013 - S30A00014 - S30A00015

N°	Code	Old.	Descrizione /Description	GB	FR	D	E
#	M80A00044	C00051	VITE TE 88 PG FP M14X50 ZINC UNI 5737	SCREW	VIS	SCHRAUBE	TORNILLO
#	M80A00046	C00053	VITE TE 88 PG FP M14X60 ZINC UNI 5737	SCREW	VIS	SCHRAUBE	TORNILLO
#	M80A00118	C00131	VITE TE 88 PG FT M10X25 ZINC UNI 5739	SCREW	VIS	SCHRAUBE	TORNILLO
#	M80A00179	C00229	VITE TE 10.9 M16X1,5X45 ZINC F25	SCREW	VIS	SCHRAUBE	TORNILLO
#	M80A00180	C00231	VITE TE 88 PF FP M16X1,5X50 ZINC UNI 573	SCREW	VIS	SCHRAUBE	TORNILLO
#	M80A00182	C00233	VITE TE 88 PF FP M16X1,5X60 ZINC UNI 573	SCREW	VIS	SCHRAUBE	TORNILLO
#	M80A00200	C00255	VITE TE 88 PF FP M20X1,5X110 ZINC UNI 57	SCREW	VIS	SCHRAUBE	TORNILLO
#	M85A00066	C02558	DADO AUTOBLOC BASSO 8 PF M20X1,5 H=20 DIN 985	NUT	BOULONS	NUT	DADO
#	M85A00077	C02604	DADO AUTOBLOC ALTO 8 M10 H=11.5 DIN 982	NUT	BOULONS	NUT	DADO
#	M85A00079	C02606	DADO AUTOBLOC ALTO 8 M14 H=16 DIN 982	NUT	BOULONS	NUT	DADO
#	M85A00089	C02657	DADO AUTOBLOC ALTO 8 M16X1,5 H=18 DIN 982	NUT	BOULONS	NUT	DADO
#	M90A00007	C03004	RONDELLA PIANA D.10,5 DIN125-A ZINC.	WASHER	RONDELLE	UNTERLEGSCHLEIBE	ARANDELLA
#	M90A00009	C03006	RONDELLA PIANA D.15 DIN125-A ZINC.	WASHER	RONDELLE	UNTERLEGSCHLEIBE	ARANDELLA
#	M90A00010	C03007	RONDELLA PIANA D.17 DIN125-A ZINC.	WASHER	RONDELLE	UNTERLEGSCHLEIBE	ARANDELLA
#	MB0A00025	C04537	SPINA ELASTICA D.8X60	SOCKET	GOUPILLE	STECKER	PASADOR
#	MB0A00096	C05055	SPINA A SCATTO D.10 CON TIRANTE IN GOMMA	SOCKET	GOUPILLE	STECKER	PASADOR
#	H10A00002	C10608	ANELLO V-RING D.INT.54X9 (CR400600)	RING	AMORTISSEUR	RING	ANILLO
#	M30A00007	C23015	SUPPORTO UCF 209	SUPPORT	SUPPORT	STUTZE	APOYO
#	MJ5A00001	C41101	INGRASSATORE M6X1 DIRITTO	GREASE NIPPLE	GRAISSOR	FETTBUECHSE	ENGRASADOR
#	ME0A00008	C51526	TIRANTE D.25,4 M27X3 L=340/460	TIE ROD	TIRANT	ZUGSTANGE	TIRANTE
#	G00A00005	D00653	TAPPO IN GOMMA PER TUBO Q.70X70	PLUG	BOUCHON	STOEPSSEL	ENCHUFE
#	C05A03916	D01013	PIASTRA FORATA 145X145X8MM	PLATE	PLAQUE	PLATTE	PLACA
#	C05A04022	D01766	PIASTRA FORATA 145X145X12MM	PLATE	PLAQUE	PLATTE	PLACA
#	C00A00126	D03557	DIST. D.50 d.46 L.17	SPACER	ENTRETOISE	ABSTANDSTUECK	ESPACIADORES
#	C05A04324	D03580	SCHERMO PIANO UCF-209 3MM	SCREEN	ECRAN	SCHIRM	PANTALLA
#	G10A00042	D03936	PATTINO IN NYLON 55X15X55	SKID	PATINS	KUFE	PATIN
#	C05A04377	D03990	PIATTO FERMO PATTINI NYLON	METAL STRAP	METAL DEPLOYE	BANDEISEN	PLATILLO
#	C10A01427	D04254	PULIRULLO FRANTER IDR.	ROLLER SCRAPER	DECROTTEUR ROULEAU	WALZENABSTREIFER	POLIRULO
#	C10A01556	D05086	SCHERMO STAMP. UCF 209 SP2MM	SCREEN	ECRAN	SCHIRM	PANTALLA
#	C05A06367	D09964	FIANCATA FRANTER IDR. ACCIAIO SPECIALE 10MM	SIDE	LONG	NEBEN	JUNTO
#	C20A00787	E04244	GUIDA BRACCIO FRANTER IDR.***	RAIL	GUIDE	SCHIENE	GUÍA
#	C20A00789	E04246	RULLO FRANTER IDR. 250 - 9 FILE	ROLLER	ROULEAU	WALZE	RODILLO
#	C20A00790	E04247	RULLO FRANTER IDR. 250 - 10 FILE	ROLLER	ROULEAU	WALZE	RODILLO
#	C20A00791	E04248	RULLO FRANTER IDR. 300 - 11 FILE	ROLLER	ROULEAU	WALZE	RODILLO
#	C20A00792	E04249	RULLO FRANTER IDR. 300 - 12 FILE	ROLLER	ROULEAU	WALZE	RODILLO
#	C20A00954	E05048	RULLO FRANTER IDR. 400 - 15 FILE	ROLLER	ROULEAU	WALZE	RODILLO
#	C20A00955	E05049	RULLO FRANTER IDR. 400 - 16 FILE	ROLLER	ROULEAU	WALZE	RODILLO
#	C20A01237	E06803	TELAIO POST. RINFORZATO FRANTER IDR. 250	FRAME	CHASSIS	RAHMEN	MARCO
#	C20A01238	E06804	TELAIO POST. RINFORZATO FRANTER IDR. 300	FRAME	CHASSIS	RAHMEN	MARCO
#	C20A01239	E06805	TELAIO POST. RINFORZATO FRANTER IDR. 400	FRAME	CHASSIS	RAHMEN	MARCO
#	C20A01240	E06806	FIANCO FRANTER IDR. RINFORZATO	SIDE	LONG	NEBEN	JUNTO
#	C20A01377	E07766	BRACCIO LUNGO FRANTER IDRAULICO***	ARM	BRAS	ARM	BRAZO
#	M15A00178	E08485	PERNO ROND.25X85 UT.FORO D.12 ZINC***	PIN	PIVOT	STIFT	PIN
#	H80A00027	M07753	CILINDRO D.60 C.400 S.30 PASSANTE	CYLINDER	CYLINDRE	ZYLINDER	CILÍNDRICA

Coppia rulli franter idraulici F2 (vers. 2010)

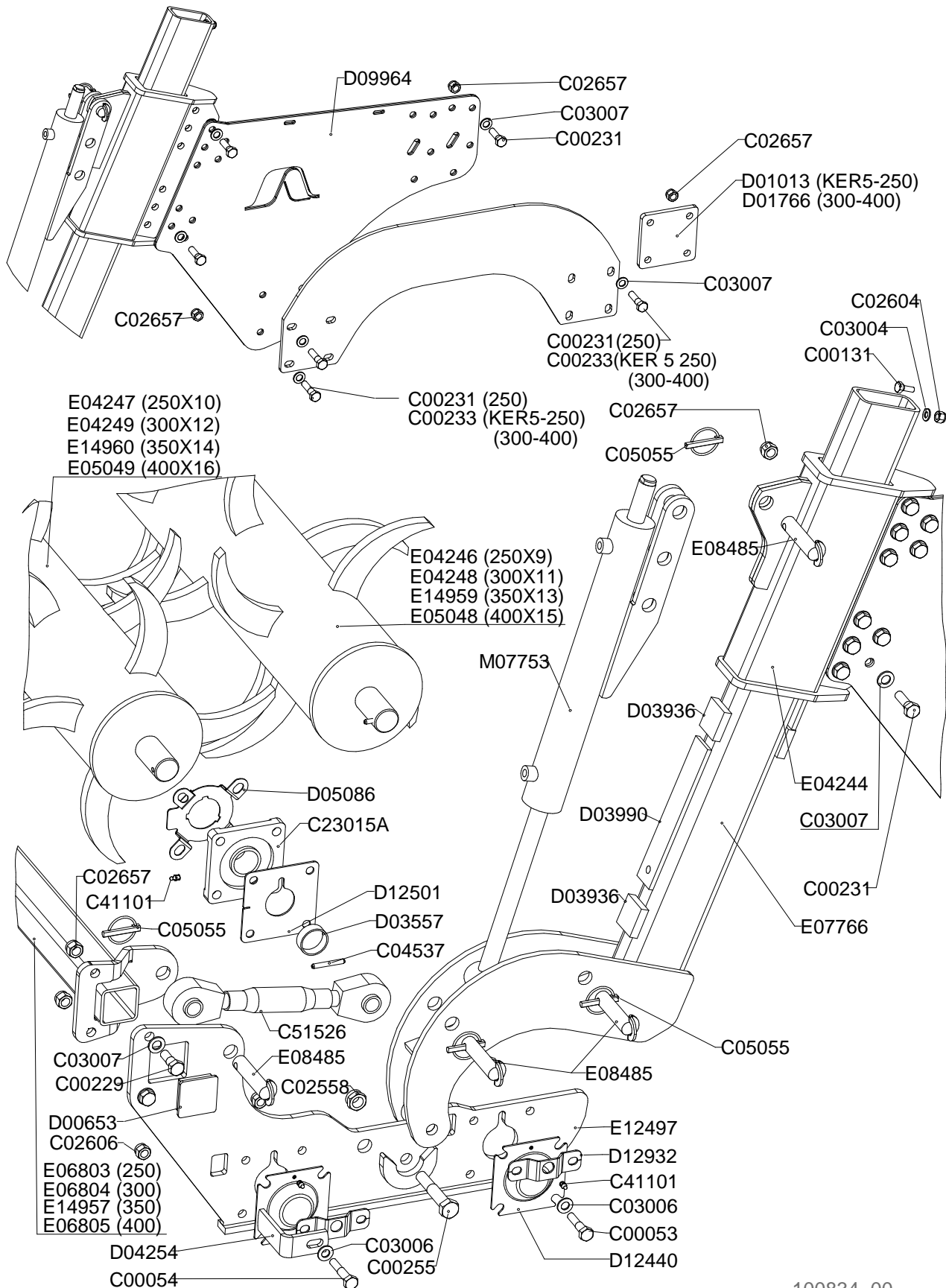
Franter hidraulic roller F2 (vers. 2010)

Rouleau franter hydrauliques F2 (vers. 2010)

Hydraulik franter walze F2 (vers. 2010)

Drawing Code: **100834_0**

Accessories: S30A00013 - S30A00014 - S30A00015 - S30A00016



100834_00



Coppia rulli franter idraulici F2 (vers. 2010)

Franter hidraulic roller F2 (vers. 2010)

Rouleau franter hydrauliques F2 (vers. 2010)

Hydraulik franter walze F2 (vers. 2010)

Drawing Code: **100834_0**

Accessories: S30A00013 - S30A00014 - S30A00015 - S30A00016

N°	Code	Old.	Descrizione / Description	GB	FR	D	E
#	M80A00046	C00053	VITE TE 88 PG FP M14X60 ZINC UNI 5737	SCREW	VIS	SCHRAUBE	TORNILLO
#	M80A00047	C00054	VITE TE 88 PG FP M14X70 ZINC UNI 5737	SCREW	VIS	SCHRAUBE	TORNILLO
#	M80A00118	C00131	VITE TE 88 PG FT M10X25 ZINC UNI 5739	SCREW	VIS	SCHRAUBE	TORNILLO
#	M80A00179	C00229	VITE TE 10.9 M16X1,5X45 ZINC F25	SCREW	VIS	SCHRAUBE	TORNILLO
#	M80A00180	C00231	VITE TE 88 PF FP M16X1,5X50 ZINC UNI 573	SCREW	VIS	SCHRAUBE	TORNILLO
#	M80A00182	C00233	VITE TE 88 PF FP M16X1,5X60 ZINC UNI 573	SCREW	VIS	SCHRAUBE	TORNILLO
#	M80A00200	C00255	VITE TE 88 PF FP M20X1,5X110 ZINC UNI 57	SCREW	VIS	SCHRAUBE	TORNILLO
#	M85A00066	C02558	DADO AUTOBLOC BASSO 8 PF M20X1,5 H=20 DIN 985	NUT	BOULONS	NUT	DADO
#	M85A00077	C02604	DADO AUTOBLOC ALTO 8 M10 H=11.5 DIN 982	NUT	BOULONS	NUT	DADO
#	M85A00079	C02606	DADO AUTOBLOC ALTO 8 M14 H=16 DIN 982	NUT	BOULONS	NUT	DADO
#	M85A00089	C02657	DADO AUTOBLOC ALTO 8 M16X1,5 H=18 DIN 982	NUT	BOULONS	NUT	DADO
#	M90A00007	C03004	RONDELLA PIANA D.10,5 DIN125-A ZINC.	WASHER	RONDELLE	UNTERLEGSCHIEBE	ARANDELLA
#	M90A00009	C03006	RONDELLA PIANA D.15 DIN125-A ZINC.	WASHER	RONDELLE	UNTERLEGSCHIEBE	ARANDELLA
#	M90A00010	C03007	RONDELLA PIANA D.17 DIN125-A ZINC.	WASHER	RONDELLE	UNTERLEGSCHIEBE	ARANDELLA
#	MB0A00025	C04537	SPINA ELASTICA D.8X60	SOCKET	GOUPILLE	STECKER	PASADOR
#	MB0A00096	C05055	SPINA A SCATTO D.10 CON TIRANTE IN GOMMA	SOCKET	GOUPILLE	STECKER	PASADOR
#	M30A00008	C23015A	SUPPORTO UCF 209 CLASSE A	SUPPORT	SUPPORT	STUTZE	APOYO
#	MJ5A00001	C41101	INGRASSATORE M6X1 DIRITTO	GREASE NIPPLE	GRAISSOR	FETTBUCHSE	ENGRASADOR
#	ME0A00008	C51526	TIRANTE D.25,4 M27X3 L=340/460	TIE ROD	TIRANT	ZUGSTANGE	TIRANTE
#	G00A00005	D00653	TAPPO IN GOMMA PER TUBO Q.70X70	PLUG	BOUCHON	STOEPSSEL	ENCHUFE
#	C05A03916	D01013	PIASTRA FORATA 145X145X8MM	PLATE	PLAQUE	PLATTE	PLACA
#	C05A04022	D01766	PIASTRA FORATA 145X145X12MM	PLATE	PLAQUE	PLATTE	PLACA
#	C00A00126	D03557	DIST. D.50 d.46 L.17	SPACER	ENTRETOISE	ABSTANDSTUECK	ESPACIADORES
#	G10A00042	D03936	PATTINO IN NYLON 55X15X55	SKID	PATINS	KUFE	PATIN
#	C05A04377	D03990	PIATTO FERMO PATTINI NYLON	METAL STRAP	METAL DEPLOYE	BANDEISEN	PLATILLO
#	C10A01427	D04254	PULIRULLO FRANTER IDR.	ROLLER SCRAPER	DECROTTEUR ROULEAU	WALZENABSTREIFER	POLIRULO
#	C10A01556	D05086	SCHERMO STAMP. UCF 209 SP2MM	SCREEN	ECRAN	SCHIRM	PANTALLA
#	C05A06367	D09964	FIANCATA FRANTER IDR. ACCIAIO SPECIALE 10MM	SIDE	LONG	NEBEN	JUNTO
#	C10A02869	D12440	COPERCHIO STAMPATO PROTEZ. UCF-209	LID	COUVERCLE	DECKEL	TAPA
#	C05A07052	D12501	SCHERMO PIANO UCF-209 INGRASS. MAGG. SP 3MM	SCREEN	ECRAN	SCHIRM	PANTALLA
#	C10A02960	D12932	PIASTRA PROTEZ. INGRASS. F.IDRO	PLATE	PLAQUE	PLATTE	PLACA
#	C20A00787	E04244	GUIDA BRACCIO FRANTER IDR.***	RAIL	GUIDE	SCHIENE	GUÍA
#	C20A00789	E04246	RULLO FRANTER IDR. 250 - 9 FILE	ROLLER	ROULEAU	WALZE	RODILLO
#	C20A00790	E04247	RULLO FRANTER IDR. 250 - 10 FILE	ROLLER	ROULEAU	WALZE	RODILLO
#	C20A00791	E04248	RULLO FRANTER IDR. 300 - 11 FILE	ROLLER	ROULEAU	WALZE	RODILLO
#	C20A00792	E04249	RULLO FRANTER IDR. 300 - 12 FILE	ROLLER	ROULEAU	WALZE	RODILLO
#	C20A00954	E05048	RULLO FRANTER IDR. 400 - 15 FILE	ROLLER	ROULEAU	WALZE	RODILLO
#	C20A00955	E05049	RULLO FRANTER IDR. 400 - 16 FILE	ROLLER	ROULEAU	WALZE	RODILLO
#	C20A01237	E06803	TELAIO POST. RINFORZATO FRANTER IDR. 250	FRAME	CHASSIS	RAHMEN	MARCO
#	C20A01238	E06804	TELAIO POST. RINFORZATO FRANTER IDR. 300	FRAME	CHASSIS	RAHMEN	MARCO
#	C20A01239	E06805	TELAIO POST. RINFORZATO FRANTER IDR. 400	FRAME	CHASSIS	RAHMEN	MARCO
#	C20A01377	E07766	BRACCIO LUNGO FRANTER IDRAULICO***	ARM	BRAS	ARM	BRAZO
#	M15A00178	E08485	PERNO ROND.25X85 UT.FORO D.12 ZINC***	PIN	PIVOT	STIFT	PIN
#	C20A01977	E12497	FIANCO FRANTER IDR. RINF. PROTETTO	SIDE	LONG	NEBEN	JUNTO
#	C20A02321	E14957	TELAIO POST. RINFORZATO FRANTER IDR. 350	FRAME	CHASSIS	RAHMEN	MARCO
#	C20A02322	E14959	RULLO FRANTER IDR. 350 - 13 FILE	ROLLER	ROULEAU	WALZE	RODILLO
#	C20A02323	E14960	RULLO FRANTER IDR. 350 - 14 FILE	ROLLER	ROULEAU	WALZE	RODILLO
#	H80A00027	M07753	CILINDRO D.60 C.400 S.30 PASSANTE	CYLINDER	CYLINDRE	ZYLINDER	CILÍNDRICA

Copyright © 2009 Alpego s.p.a. ®

Tutti i diritti sono riservati. È vietata espressamente la ristampa o l'uso non autorizzato senza permesso scritto dalla Alpego s.p.a.

Tous droits réservés. Toute réimpression ou utilisation non autorisée sans la permission écrite de la Alpego s.p.a. est formellement interdite

Alle Rechte vorbehalten. Nachdruck, Vervielfältigung und Verbreitung, auch auszugsweise, ist ohne schriftliche Genehmigung der Alpego s.p.a.

All rights reserved. Any reprinting or unauthorized use without the written permission of Alpego s.p.a. is expressly prohibited

Todos los derechos reservados. Toda reproducción o uso no autorizado sin el consentimiento escrito de Alpego s.p.a. quedan expresamente prohibidos

20/05/2013

Impianto idraulico F1

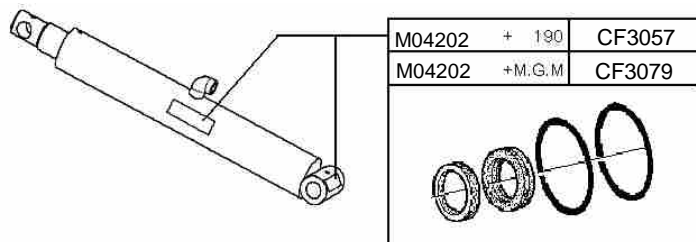
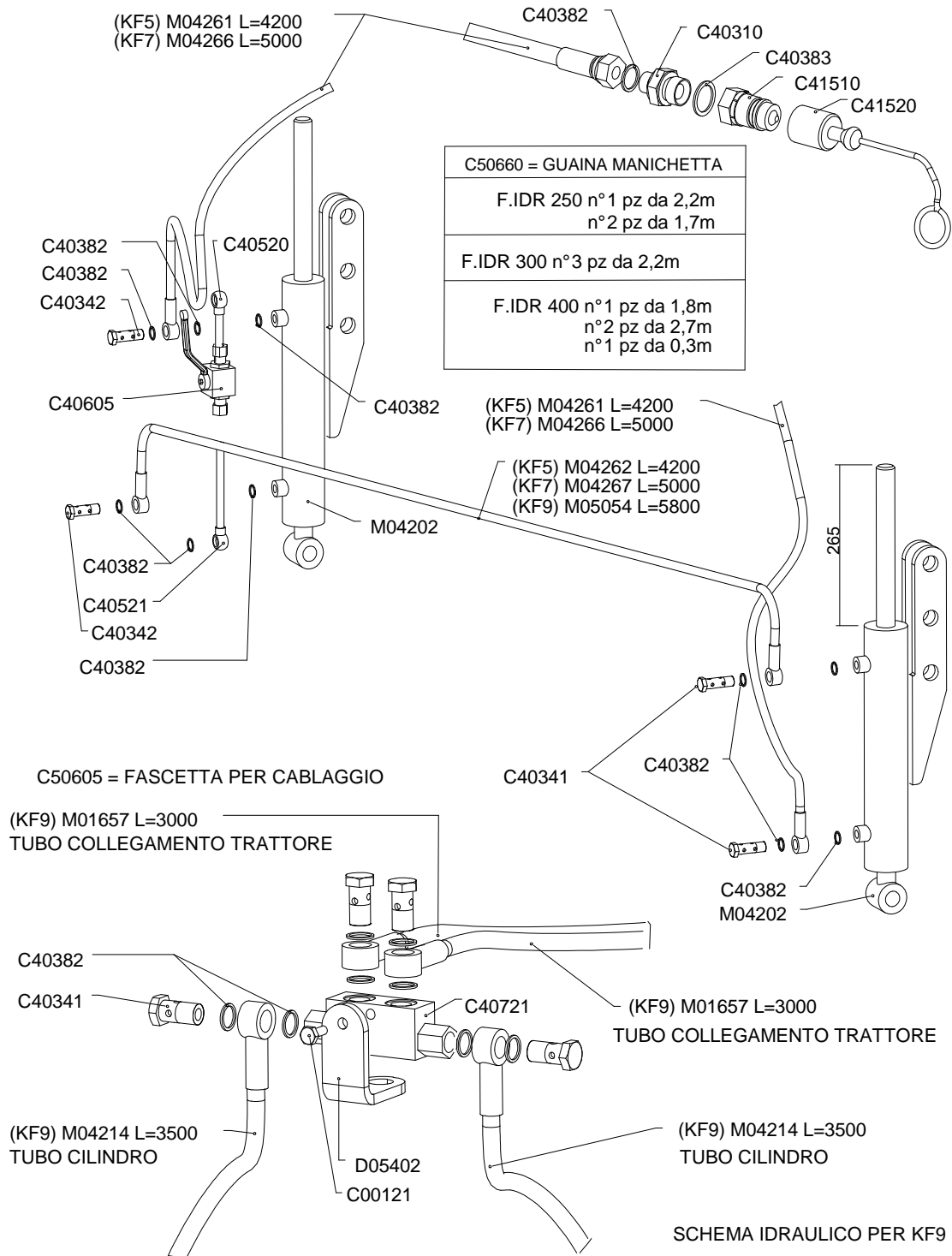
Hydraulic system F1

Circuit hydraulique F1

Hydraulik anlage F1

Drawing Code: **100207_2**

Accessories: S30A00006 - S30A00009 - S30A00012



100207_02



Impianto idraulico F1

Hydraulic system F1

Circuit hydraulique F1

Hydraulik anlage F1

Drawing Code: **100207_2**

Accessories: S30A00006 - S30A00009 - S30A00012

N°	Code	Old.	Descrizione / Description	GB	FR	D	E
#	M80A00110	C00121	VITE TE 88 PG FT M8X20 ZINC UNI 5739	SCREW	VIS	SCHRAUBE	TORNILLO
#	H35A00010	C40310	NIPLES RIDUZ.1/2 3/8	NIPLES	NIPLES	NIPLES	NIPLES
#	H40A00002	C40341	VITE FORATA 3/8X31	SCREW	VIS	SCHRAUBE	TORNILLO
#	H40A00003	C40342	VITE FORATA DOPPIA 3/8X49	SCREW	VIS	SCHRAUBE	TORNILLO
#	H35A00042	C40382	RONDELLA RAME 3/8 D.17	WASHER	RONDELLE	UNTERLEGSCHIEBE	ARANDELLA
#	H35A00043	C40383	RONDELLA RAME 1/2 D.21	WASHER	RONDELLE	UNTERLEGSCHIEBE	ARANDELLA
#	H35A00098	C40520	OCCHIO 3/8 CON TUBETTO D.12X40 ZINC.	EYE	ŒIL	AUGE	OJOS
#	H35A00099	C40521	OCCHIO 3/8 CON TUBETTO D.12X200 ZINC.	EYE	ŒIL	AUGE	OJOS
#	H55A00002	C40605	RUBINETTO A SFERA 3/8 400 BAR	TAP	ROBINET	HAHN	GRIFOS
#	H70A00013	C40721	VALVOLA BLOCCO 3/8 VBPE L=126 CORTA	VALVE	SOUPAPE	VENTIL	VALVULA
#	H50A00005	C41510	INNESTO RAPIDO MASCHIO ATT.1/2 F NV	COUPLING	ACCOUPLMENT	KUPPLUNG	COMPROMISO
#	G10A00002	C41520	TAPPO PROT.INNESTO RAPIDO 1/2 MASCHIO BLU	PLUG	BOUCHON	STOEPSSEL	ENCHUFE
#	MH5A00015	C50605	FASCETTA CABLAGGIO 7.6 X 240 NERE	CLIP	RIVELSAN	BAND	BANDAS
#	G10A00031	C50660	GUAINA MANICHETTA L 80 NERA TESSILE	SHEATH	GAINÉ	MANTEL	VAINA
#	SCOA00062	CF3057	SERIE GUARNIZ. CIL.M04202/M07753 60-30 PASSANTE	SERIES	SÉRIE	SERIE	SERIE
#	SCOA00084	CF3079	SERIE GUARNIZ.CIL. M04202 60-30 PASSANTE (M.G.M)	SERIES	SÉRIE	SERIE	SERIE
#	C10A01605	D05402	STAFFA VALVOLA DI BLOCCO	BRACKET	SUPPORT	BUEGEL	SOPORTE
#	H75A00002	M01657	"TUBO IDR OH3/8"-R1AT 1/4""X2000-FD3/8""	TUBE	TUBE	ROHR	TUBO
#	H80A00015	M04202	CILINDRO D.60 C.250 S.30 PASSANTE	CYLINDER	CYLINDRE	ZYLINDER	CILÍNDRICA
#	H75A00015	M04214	"TUBO IDR OH3/8"-R1AT 1/4""X3500-OH3/8""	TUBE	TUBE	ROHR	TUBO
#	H75A00024	M04261	"TUBO IDR OH3/8"-R1AT 1/4""X4200-FD3/8""	TUBE	TUBE	ROHR	TUBO
#	H75A00025	M04262	"TUBO IDR OH3/8"-R1AT 1/4""X4400-OH3/8""	TUBE	TUBE	ROHR	TUBO
#	H75A00026	M04266	"TUBO IDR OH3/8"-R1AT 1/4""X5000-FD 3/8""	TUBE	TUBE	ROHR	TUBO
#	H75A00027	M04267	"TUBO IDR OH3/8"-R1AT 1/4""X5200-OH3/8""	TUBE	TUBE	ROHR	TUBO
#	H75A00030	M05054	"TUBO IDR OH3/8"-R1AT 1/4""X6000-OH3/8""	TUBE	TUBE	ROHR	TUBO

Impianto idraulico rulli franter F2

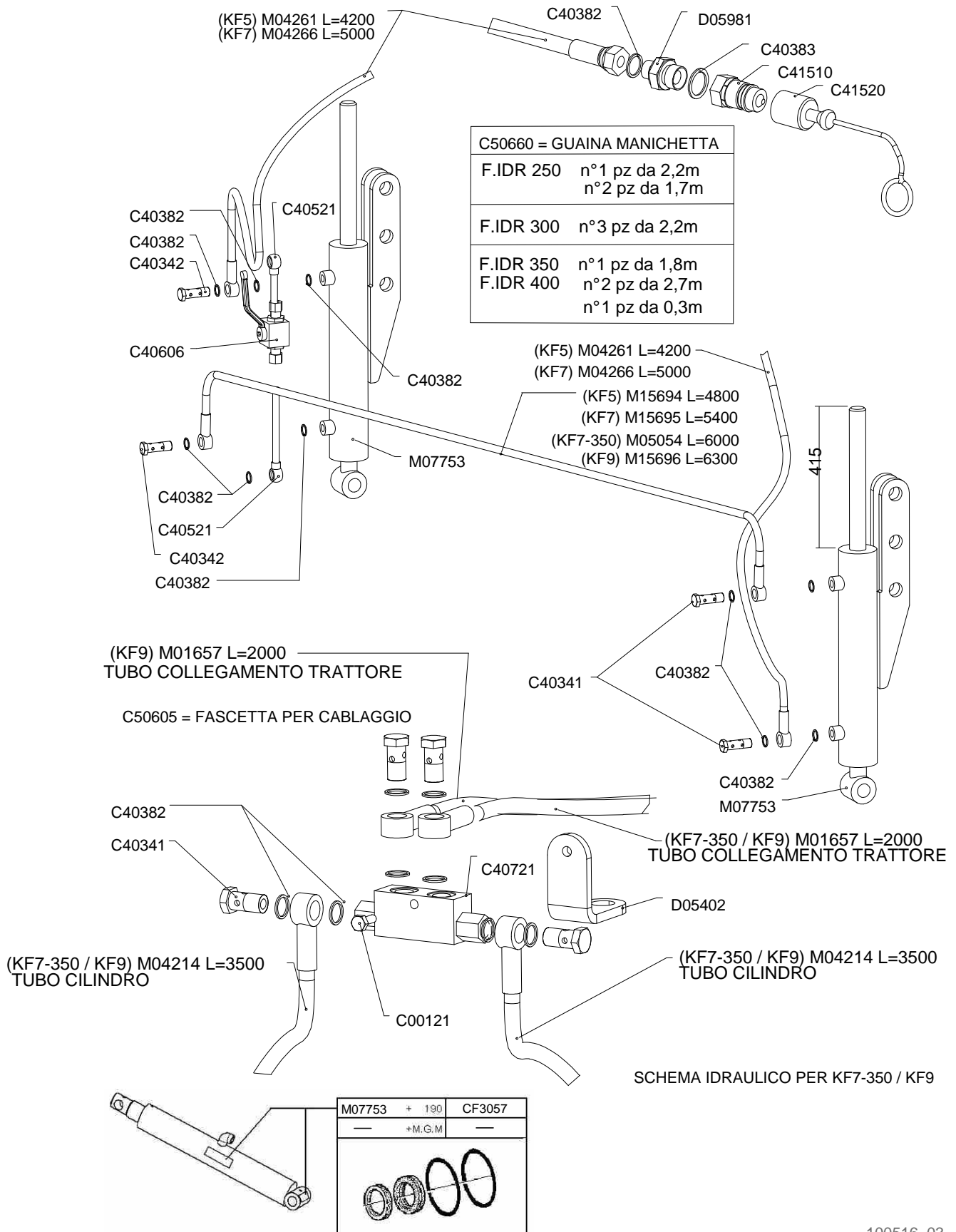
Hydraulic system franter roller F2

Circuit hydraulique rouleau franter F2

Hydraulik anlage franter walze F2

Drawing Code: **100516_3**

Accessories: S30A00013 - S30A00014 - S30A00015



100516_03



Impianto idraulico rulli franter F2

Hydraulic system franter roller F2

Circuit hydraulique rouleau franter F2

Hydraulik anlage franter walze F2

Drawing Code:

100516_3

Accessories:

S30A00013 - S30A00014 - S30A00015

N°	Code	Old.	Descrizione / Description	GB	FR	D	E
#	M80A00110	C00121	VITE TE 88 PG FT M8X20 ZINC UNI 5739	SCREW	VIS	SCHRAUBE	TORNILLO
#	H40A00002	C40341	VITE FORATA 3/8X31	SCREW	VIS	SCHRAUBE	TORNILLO
#	H40A00003	C40342	VITE FORATA DOPPIA 3/8X49	SCREW	VIS	SCHRAUBE	TORNILLO
#	H35A00042	C40382	RONDELLA RAME 3/8 D.17	WASHER	RONDELLE	UNTERLEGSCHIEBE	ARANDELLA
#	H35A00043	C40383	RONDELLA RAME 1/2 D.21	WASHER	RONDELLE	UNTERLEGSCHIEBE	ARANDELLA
#	H35A00099	C40521	OCCHIO 3/8 CON TUBETTO D.12X200 ZINC.	EYE	ŒIL	AUGE	OJOS
#	H55A00003	C40606	RUBINETTO A SFERA 3/8 OGIVA 12 400 BAR	TAP	ROBINET	HAHN	GRIFOS
#	H70A00013	C40721	VALVOLA BLOCCO 3/8 VBPDE L=126 CORTA	VALVE	SOUPAPE	VENTIL	VALVULA
#	H50A00005	C41510	INNESTO RAPIDO MASCHIO ATT.1/2 F NV	COUPLING	ACCOUPLMENT	KUPPLUNG	COMPROMISO
#	G10A00002	C41520	TAPPO PROT.INNESTO RAPIDO 1/2 MASCHIO BLU	PLUG	BOUCHON	STOEPSSEL	ENCHUFE
#	MH5A00015	C50605	FASCETTA CABLAGGIO 7.6 X 240 NERE	CLIP	RIVELSAN	BAND	BANDAS
#	G10A00031	C50660	GUAINA MANICHETTA L 80 NERA TESSILE	SHEATH	GAINÉ	MANTEL	VAINA
#	SCOA00062	CF3057	SERIE GUARNIZ. CIL.M04202/M07753 60-30 PASSANTE	SERIES	SÉRIE	SERIE	SERIE
#	C10A01605	D05402	STAFFA VALVOLA DI BLOCCO	BRACKET	SUPPORT	BUEGEL	SOPORTE
#	H35A00115	D05981	NIPLES RIDUZIONE 1/2 3/8 CON FORO D.1,6	NIPLES	NIPLES	NIPLES	NIPLES
#	H75A00002	M01657	"TUBO IDR OH3/8"-R1AT 1/4"X2000-FD3/8"'''	TUBE	TUBE	ROHR	TUBO
#	H75A00015	M04214	"TUBO IDR OH3/8"-R1AT 1/4"X3500-OH3/8"'''	TUBE	TUBE	ROHR	TUBO
#	H75A00024	M04261	"TUBO IDR OH3/8"-R1AT 1/4"X4200-FD3/8"'''	TUBE	TUBE	ROHR	TUBO
#	H75A00026	M04266	"TUBO IDR OH3/8"-R1AT 1/4"X5000-FD 3/8"'''	TUBE	TUBE	ROHR	TUBO
#	H75A00030	M05054	"TUBO IDR OH3/8"-R1AT 1/4"X6000-OH3/8"'''	TUBE	TUBE	ROHR	TUBO
#	H80A00027	M07753	CILINDRO D.60 C.400 S.30 PASSANTE	CYLINDER	CYLINDRE	ZYLINDER	CILÍNDRICA
#	H75A00105	M15694	TUBO IDR OH3/8"-R1AT 1/4"X4800-OH3/8"	TUBE	TUBE	ROHR	TUBO
#	H75A00106	M15695	TUBO IDR OH3/8"-R1AT 1/4"X5400-OH3/8"	TUBE	TUBE	ROHR	TUBO
#	H75A00107	M15696	TUBO IDR OH3/8"-R1AT 1/4"X6300-OH3/8"	TUBE	TUBE	ROHR	TUBO

Componenti coppia ruote posteriori KE-KF

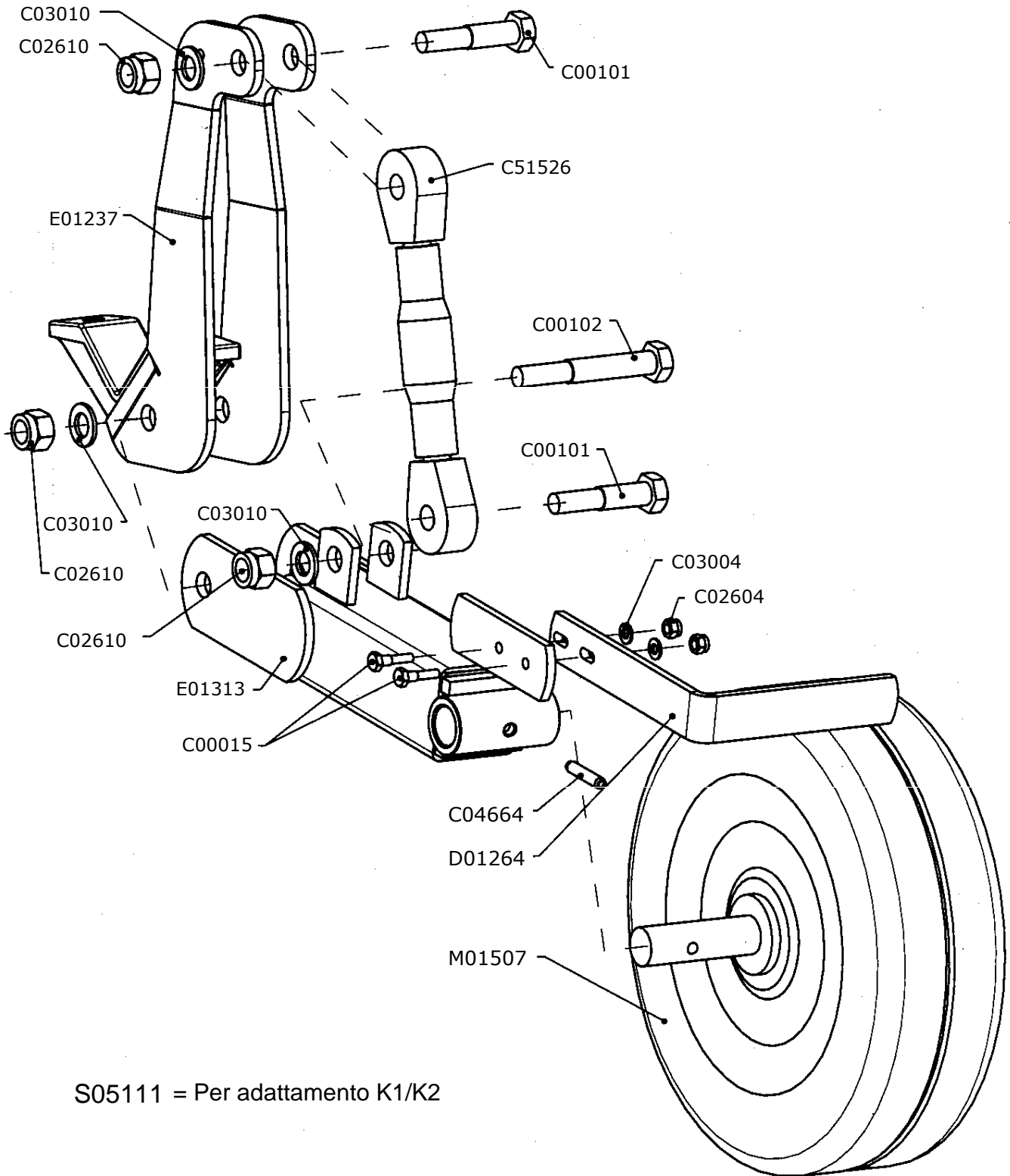
Components posterior couple of wheels KE-KF

Elements couple roues posterieures KE-KF

Bestandteile kupeln hintere Rader KE-KF

Drawing Code: **100418_0_f1**

Accessories: S75A00011



S05111 = Per adattamento K1/K2

100418_00_f1



Componenti coppia ruote posteriori KE-KF

Components posterior couple of wheels KE-KF

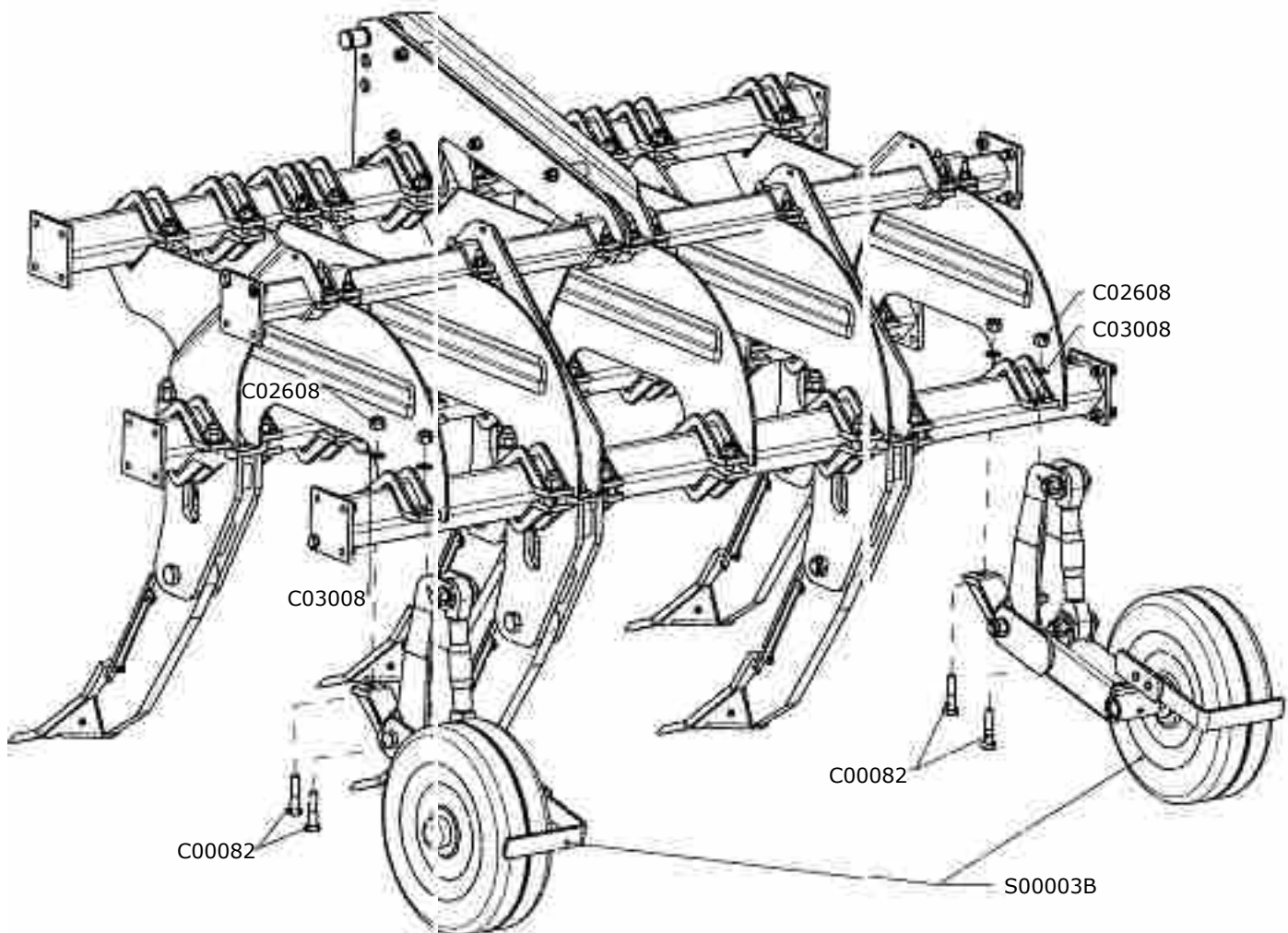
Elements couple roues posterieures KE-KF

Bestandteile kupeln hintere Rader KE-KF

Drawing Code: **100418_0_f1**

Accessories: S75A00011

N°	Code	Old.	Descrizione / Description	GB	FR	D	E
#	M80A00012	C00015	VITE TE 88 PG FP M10X40 ZINC UNI 5737	SCREW	VIS	SCHRAUBE	TORNILLO
#	M80A00088	C00101	VITE TE 88 PG FP M24x110 ZINC UNI 5737	SCREW	VIS	SCHRAUBE	TORNILLO
#	M80A00089	C00102	VITE TE 88 PG FP M24X160 ZINC UNI 5737	SCREW	VIS	SCHRAUBE	TORNILLO
#	M85A00077	C02604	DADO AUTOBLOC ALTO 8 M10 H=11.5 DIN 982	NUT	BOULONS	NUT	DADO
#	M85A00083	C02610	DADO AUTOBLOC ALTO 10 M24 H=28 DIN 982	NUT	BOULONS	NUT	DADO
#	M90A00007	C03004	RONDELLA PIANA D.10,5 DIN125-A ZINC.	WASHER	RONDELLE	UNTERLEGSCHIEBE	ARANDELLA
#	M90A00013	C03010	RONDELLA PIANA D.25 DIN125-A ZINC.	WASHER	RONDELLE	UNTERLEGSCHIEBE	ARANDELLA
#	MB0A00075	C04664	SPINA SPIROL D.12X60	SOCKET	GOUPILLE	STECKER	PASADOR
#	ME0A00008	C51526	TIRANTE D.25,4 M27X3 L=340/460	TIE ROD	TIRANT	ZUGSTANGE	TIRANTE
#	C10A01106	D01264	PULIRUOTA	#VALORE!	#VALORE!	#VALORE!	#VALORE!
#	C20A00142	E01237	SUPPORTO MANOVELLA E RUOTE KE	SUPPORT	SUPPORT	STUTZE	APOYO
#	C20A00158	E01313	BRACCIO PORTA RUOTA KE	ARM	BRAS	ARM	BRAZO
#	M79A00012	M01507	RUOTA COMPLETA CON MOZZO KE	WHEEL	ROUE	RAD	RUEDA
#	S45A00040	S05111	KIT ADATTAMENTO S00003B SU K1-K2	KIT	KIT	KIT	KIT



100418_00_f2



Montaggio coppia ruote posteriori KE-KF

Assembly posterior couple of wheels KE-KF

Montage couple roues posterieures KE-KF

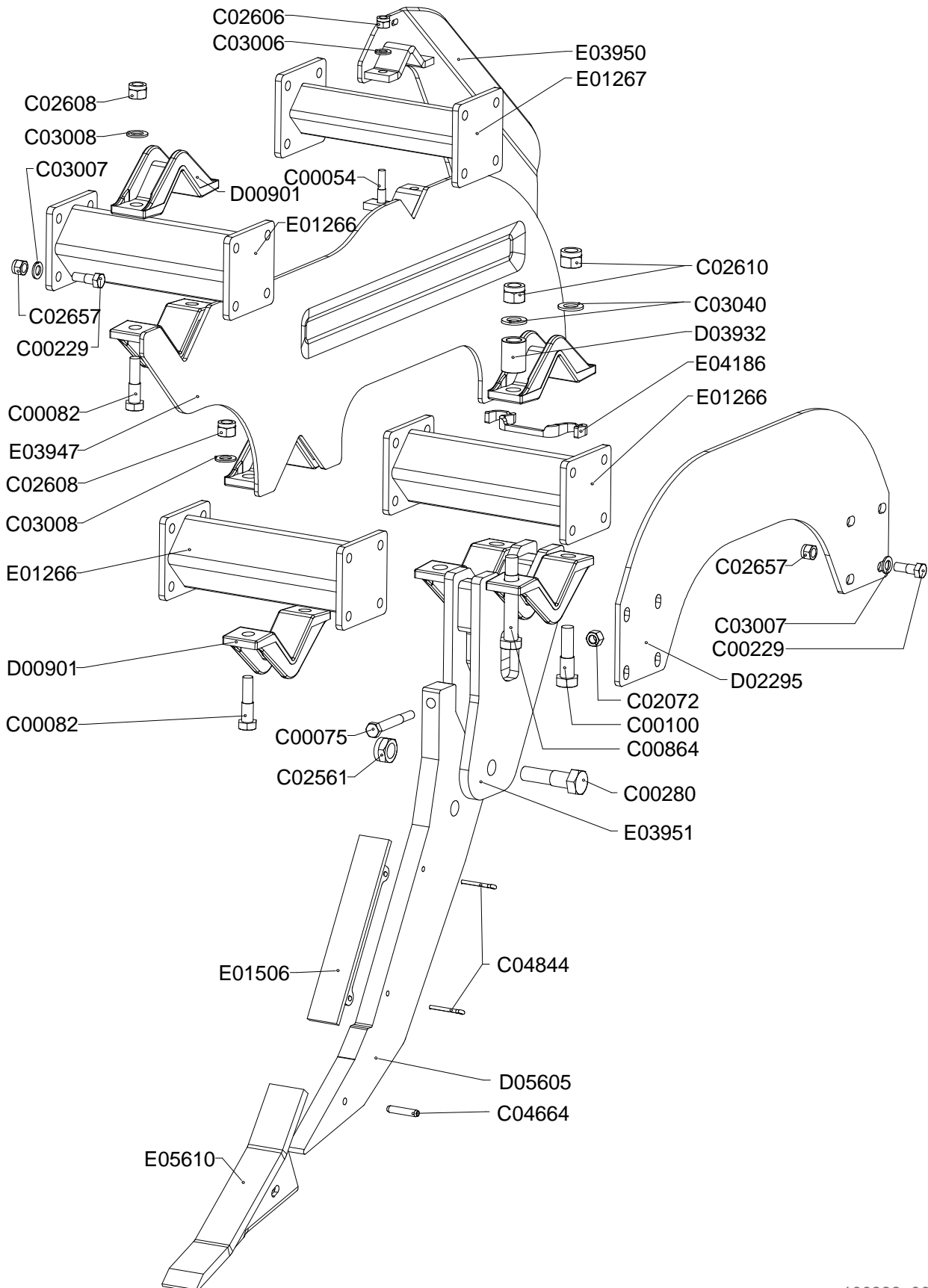
Versammlung kupeln hintere Rader KE-KF

Drawing Code: **100418_0_f2**

Accessories: S75A00011

N°	Code	Old.	Descrizione / Description
#	M80A00075	C00082	VITE TE 88 PG FP M20X80 ZINC UNI 5737
#	M85A00081	C02608	DADO AUTOBLOC ALTO 8 M20 H=22 DIN 982
#	M90A00011	C03008	RONDELLA PIANA D.21 DIN125-A ZINC.
#	S75A00011	S00003B	COPPIA RUOTE POSTERIORI KE-KF

GB	FR	D	E
SCREW	VIS	SCHRAUBE	TORNILLO
NUT	BOULONS	NUT	DADO
WASHER	RONDELLE	UNTERLEGSCHIEBE	ARANDELLA
PAIR	PAIRE	PAAR	PAREJA/PAR





Kit ancora KFR

Anchor kit KFR

Kit ancre KFR

Anker bausatz KFR

Drawing Code:

100388_0

Accessories:

S90A00003

N°	Code	Old.	Descrizione / Description	GB	FR	D	E
#	M80A00047	C00054	VITE TE 88 PG FP M14X70 ZINC UNI 5737	SCREW	VIS	SCHRAUBE	TORNILLO
#	M80A00068	C00075	VITE TE 88 PG FP M16X120 ZINC UNI 5737	SCREW	VIS	SCHRAUBE	TORNILLO
#	M80A00075	C00082	VITE TE 88 PG FP M20X80 ZINC UNI 5737	SCREW	VIS	SCHRAUBE	TORNILLO
#	M80A00087	C00100	VITE TE 88 PG FP M24X90 ZINC UNI 5737	SCREW	VIS	SCHRAUBE	TORNILLO
#	M80A00179	C00229	VITE TE 10.9 M16X1,5X45 ZINC F25	SCREW	VIS	SCHRAUBE	TORNILLO
#	M80A00212	C00280	VITE TE 88 PF FP M27X2X100 UNI 5738	SCREW	VIS	SCHRAUBE	TORNILLO
#	M80A00353	C00864	VITE TE 10.9 PG FP M24X150 UNI 5737 ZINC	SCREW	VIS	SCHRAUBE	TORNILLO
#	M85A00018	C02072	DADO ALTO 10 PG M16 5587	NUT	BOULONS	NUT	DADO
#	M85A00069	C02561	DADO AUTOBLOC BASSO 8 PF M27X2 H=22.5 UNI 7474	NUT	BOULONS	NUT	DADO
#	M85A00079	C02606	DADO AUTOBLOC ALTO 8 M14 H=16 DIN 982	NUT	BOULONS	NUT	DADO
#	M85A00081	C02608	DADO AUTOBLOC ALTO 8 M20 H=22 DIN 982	NUT	BOULONS	NUT	DADO
#	M85A00083	C02610	DADO AUTOBLOC ALTO 10 M24 H=28 DIN 982	NUT	BOULONS	NUT	DADO
#	M85A00089	C02657	DADO AUTOBLOC ALTO 8 M16X1,5 H=18 DIN 982	NUT	BOULONS	NUT	DADO
#	M90A00009	C03006	RONDELLA PIANA D.15 DIN125-A ZINC.	WASHER	RONDELLE	UNTERLEGSCHIEBE	ARANDELLA
#	M90A00010	C03007	RONDELLA PIANA D.17 DIN125-A ZINC.	WASHER	RONDELLE	UNTERLEGSCHIEBE	ARANDELLA
#	M90A00011	C03008	RONDELLA PIANA D.21 DIN125-A ZINC.	WASHER	RONDELLE	UNTERLEGSCHIEBE	ARANDELLA
#	M90A00023	C03040	ROND. PIANA D.25 DIN 6916 ALTA RES. ZINCATA DEIDROGENAT	WASHER	RONDELLE	UNTERLEGSCHIEBE	ARANDELLA
#	MB0A00075	C04664	SPINA SPIROL D.12X60	SOCKET	GOUPILLE	STECKER	PASADOR
#	MB5A00022	C04844	COPPIGLIA D.6,3X60	COTTER PIN	GOUPILLE	SPLINT	COPPIGLIA
#	B65A00014	D00901	MORSETTO PER TUBO 100X100 D.22***	TERMINAL	TERMINAL	TERMINAL	TERMINALES
#	C05A04091	D02295	FIANCATINA RINFORZO KIT KF 10MM	SIDE	LONG	NEBEN	JUNTO
#	C00A00148	D03932	DIST. D.42,4 D.26,4 L.55 KF ZINC	SPACER	ENTRETOISE	ABSTANDSTUECK	ESPACIADORES
#	C15A00392	D05605	ANCORA KFR RAPIDO (FORO D=18)***	TYNE	DENT	SCHAR	ANCLA
#	C20A00152	E01266	TUBO CON FLANGE PROL. KE 100X100X374	TUBE	TUBE	ROHR	TUBO
#	C20A00153	E01267	TUBO CON FLANGE PROL. KE 70X70X374	TUBE	TUBE	ROHR	TUBO
#	C20A00209	E01506	PROTEZIONE ANCORA KFR-K2	PROTECTION	PROTECTION	SCHUTZ	PROTECCIÓN
#	C20A00724	E03947	FIANCATA TELAIO KER - KF	SIDE	LONG	NEBEN	JUNTO
#	C20A00727	E03950	RINFORZO FIANCATA TELAIO KF-KE	REINFORCEMENT	RENFORT	VERSTAERKUNG	REFUERZO
#	C20A00728	E03951	SUPPORTO ANCORA KF	SUPPORT	SUPPORT	STUTZE	APOYO
#	C10A03432	E04186	SPESSORE POST. ANCORA KF 8MM	THICKNESS	CALES	DICKE	ESPESOR
#	MK0A00165	E05610	VOMERE CRAKER RAPIDO PER KFR	PLOUGHSHARE	SOC	PFLUGSCHAR	REJA

Kit ancora KFR2-400

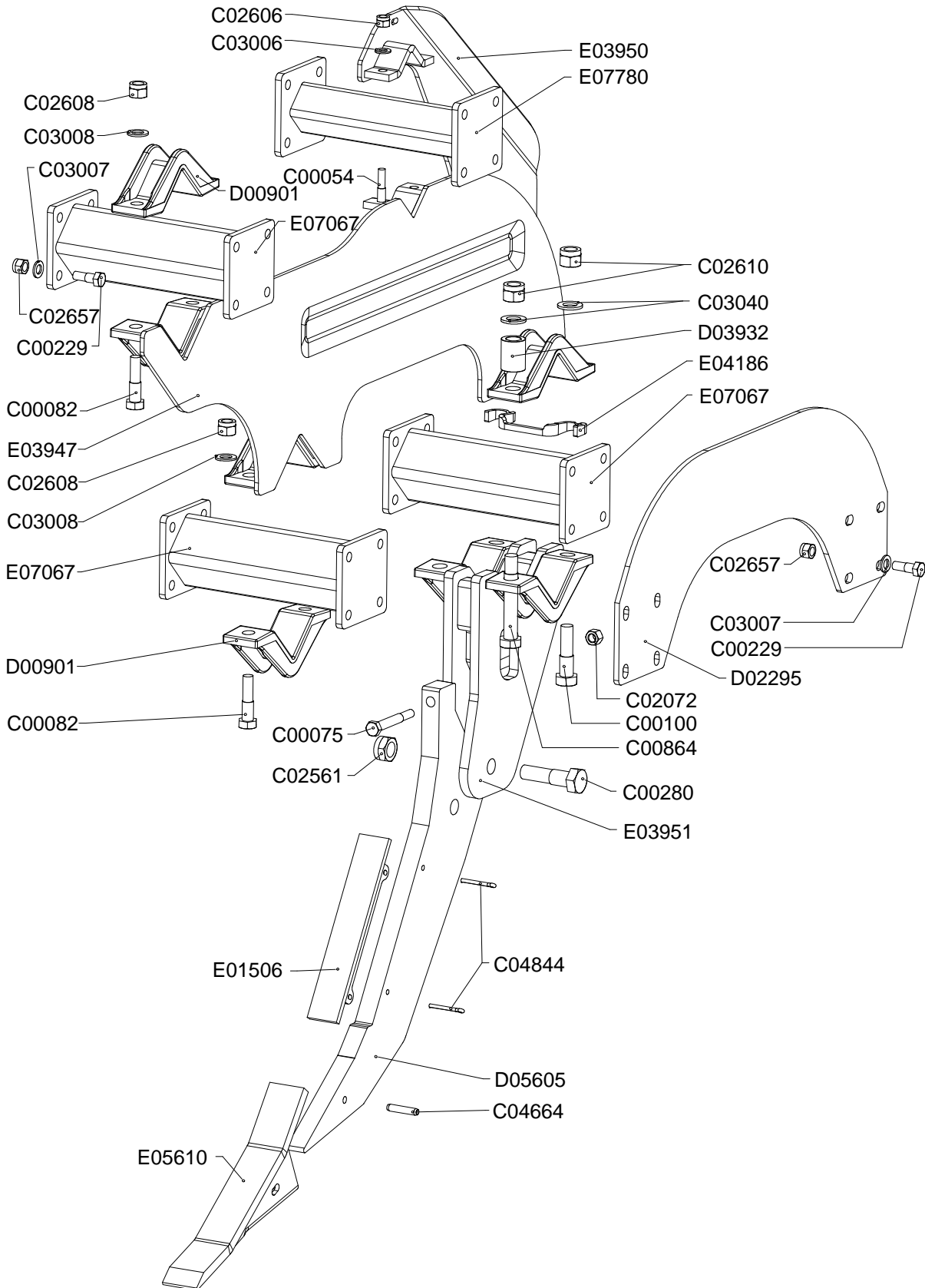
Anchor kit KFR2-400

Kit ancre KFR2-400

Anker bausatz KFR2-400

Drawing Code: **100586_0**

Accessories: S90A00005



100586_00



Kit ancora KFR2-400

Anchor kit KFR2-400

Kit ancre KFR2-400

Anker bauplatz KFR2-400

Drawing Code:

100586_0

Accessories:

S90A00005

N°	Code	Old.	Descrizione / Description	GB	FR	D	E
#	M80A00047	C00054	VITE TE 88 PG FP M14X70 ZINC UNI 5737	SCREW	VIS	SCHRAUBE	TORNILLO
#	M80A00068	C00075	VITE TE 88 PG FP M16X120 ZINC UNI 5737	SCREW	VIS	SCHRAUBE	TORNILLO
#	M80A00075	C00082	VITE TE 88 PG FP M20X80 ZINC UNI 5737	SCREW	VIS	SCHRAUBE	TORNILLO
#	M80A00087	C00100	VITE TE 88 PG FP M24X90 ZINC UNI 5737	SCREW	VIS	SCHRAUBE	TORNILLO
#	M80A00179	C00229	VITE TE 10.9 M16X1,5X45 ZINC F25	SCREW	VIS	SCHRAUBE	TORNILLO
#	M80A00212	C00280	VITE TE 88 PF FP M27X2X100 UNI 5738	SCREW	VIS	SCHRAUBE	TORNILLO
#	M80A00353	C00864	VITE TE 10.9 PG FP M24X150 UNI 5737 ZINC	SCREW	VIS	SCHRAUBE	TORNILLO
#	M85A00018	C02072	DADO ALTO 10 PG M16 5587	NUT	BOULONS	NUT	DADO
#	M85A00069	C02561	DADO AUTOBLOC BASSO 8 PF M27X2 H=22.5 UNI 7474	NUT	BOULONS	NUT	DADO
#	M85A00079	C02606	DADO AUTOBLOC ALTO 8 M14 H=16 DIN 982	NUT	BOULONS	NUT	DADO
#	M85A00081	C02608	DADO AUTOBLOC ALTO 8 M20 H=22 DIN 982	NUT	BOULONS	NUT	DADO
#	M85A00083	C02610	DADO AUTOBLOC ALTO 10 M24 H=28 DIN 982	NUT	BOULONS	NUT	DADO
#	M85A00089	C02657	DADO AUTOBLOC ALTO 8 M16X1,5 H=18 DIN 982	NUT	BOULONS	NUT	DADO
#	M90A00009	C03006	RONDELLA PIANA D.15 DIN125-A ZINC.	WASHER	RONDELLE	UNTERLEGSCHLEIBE	ARANDELLA
#	M90A00010	C03007	RONDELLA PIANA D.17 DIN125-A ZINC.	WASHER	RONDELLE	UNTERLEGSCHLEIBE	ARANDELLA
#	M90A00011	C03008	RONDELLA PIANA D.21 DIN125-A ZINC.	WASHER	RONDELLE	UNTERLEGSCHLEIBE	ARANDELLA
#	M90A00023	C03040	ROND. PIANA D.25 DIN 6916 ALTA RES. ZINCATA DEIDROGENAT	WASHER	RONDELLE	UNTERLEGSCHLEIBE	ARANDELLA
#	MB0A00075	C04664	SPINA SPIROL D.12X60	SOCKET	GOUPILLE	STECKER	PASADOR
#	MB5A00022	C04844	COPPIGLIA D.6,3X60	COTTER PIN	GOUPILLE	SPLINT	COPPIGLIA
#	B65A00014	D00901	MORSETTO PER TUBO 100X100 D.22***	TERMINAL	TERMINAL	TERMINAL	TERMINALES
#	C05A04091	D02295	FIANCATINA RINFORZO KIT KF 10MM	SIDE	LONG	NEBEN	JUNTO
#	C00A00148	D03932	DIST. D.42,4 D.26,4 L.55 KF ZINC	SPACER	ENTRETOISE	ABSTANDSTUECK	ESPACIADORES
#	C15A00392	D05605	ANCORA KFR RAPIDO (FORO D=18)***	TYNE	DENT	SCHAR	ANCLA
#	C20A00209	E01506	PROTEZIONE ANCORA KFR-K2	PROTECTION	PROTECTION	SCHUTZ	PROTECCIÓN
#	C20A00724	E03947	FIANCATA TELAIO KER - KF	SIDE	LONG	NEBEN	JUNTO
#	C20A00727	E03950	RINFORZO FIANCATA TELAIO KF-KE	REINFORCEMENT	RENFORT	VERSTAERKUNG	REFUERZO
#	C20A00728	E03951	SUPPORTO ANCORA KF	SUPPORT	SUPPORT	STUTZE	APOYO
#	C10A03432	E04186	SPESSORE POST. ANCORA KF 8MM	THICKNESS	CALES	DICKE	ESPESOR
#	MK0A00165	E05610	VOMERE CRAKER RAPIDO PER KFR	PLOUGHSHARE	SOC	PFLUGSCHAR	REJA
#	C20A01292	E07067	TUBO CON FLANGE PROLUNGA 100X100X455***	TUBE	TUBE	ROHR	TUBO
#	C20A01381	E07780	TUBO CON FLANGE PROLUNGA 70x70x467***	TUBE	TUBE	ROHR	TUBO