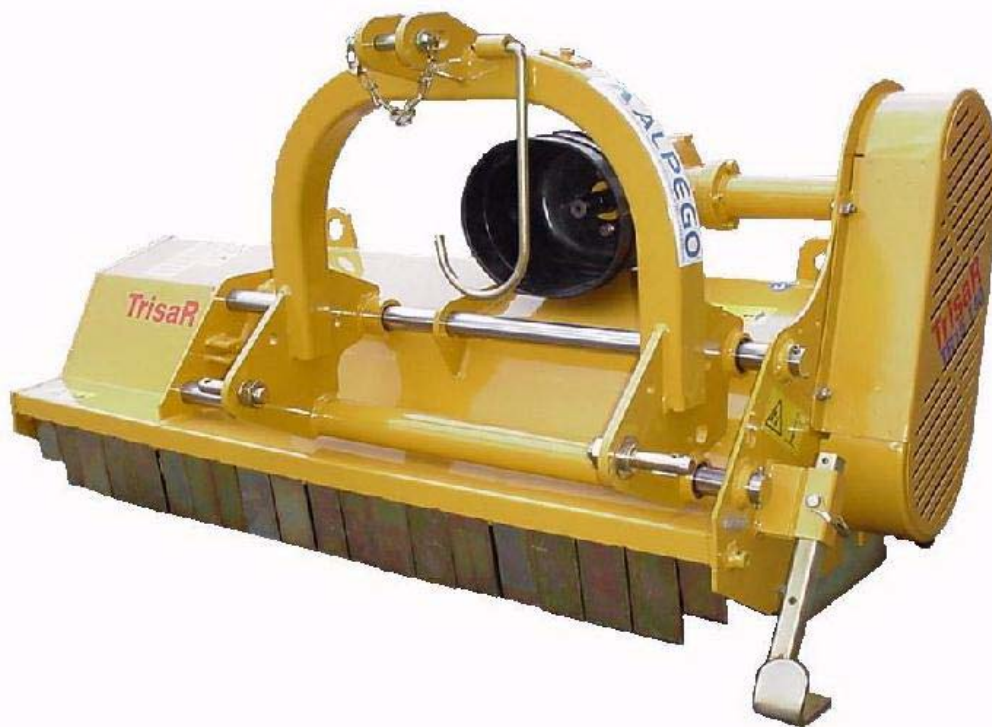


Trincia

TR15



www.alpego.com

Tel +39 0444/64.61.00

Fax +39 0444/64.61.99

e-mail: info@alpego.com

ALPEGO s.p.a.

Sede Amministrativa:

Via Torri di Confine, 6 36053 GAMBELLARA (VICENZA) - ITALY

Sede Legale:

Via Giovanni e Giuseppe Cenzato, 9 36045 LONIGO (VICENZA) - ITALY

Capitale sociale €2.000.000 i.v.

Cod. Fisc. / Part. IVA IT02009840246

R.E.A. 199795/VI/1996

Reg. Imp.VI N° 22374/VI/1996

N. Mecc. VI 011754

Copyright © 2009 Alpego s.p.a. ®

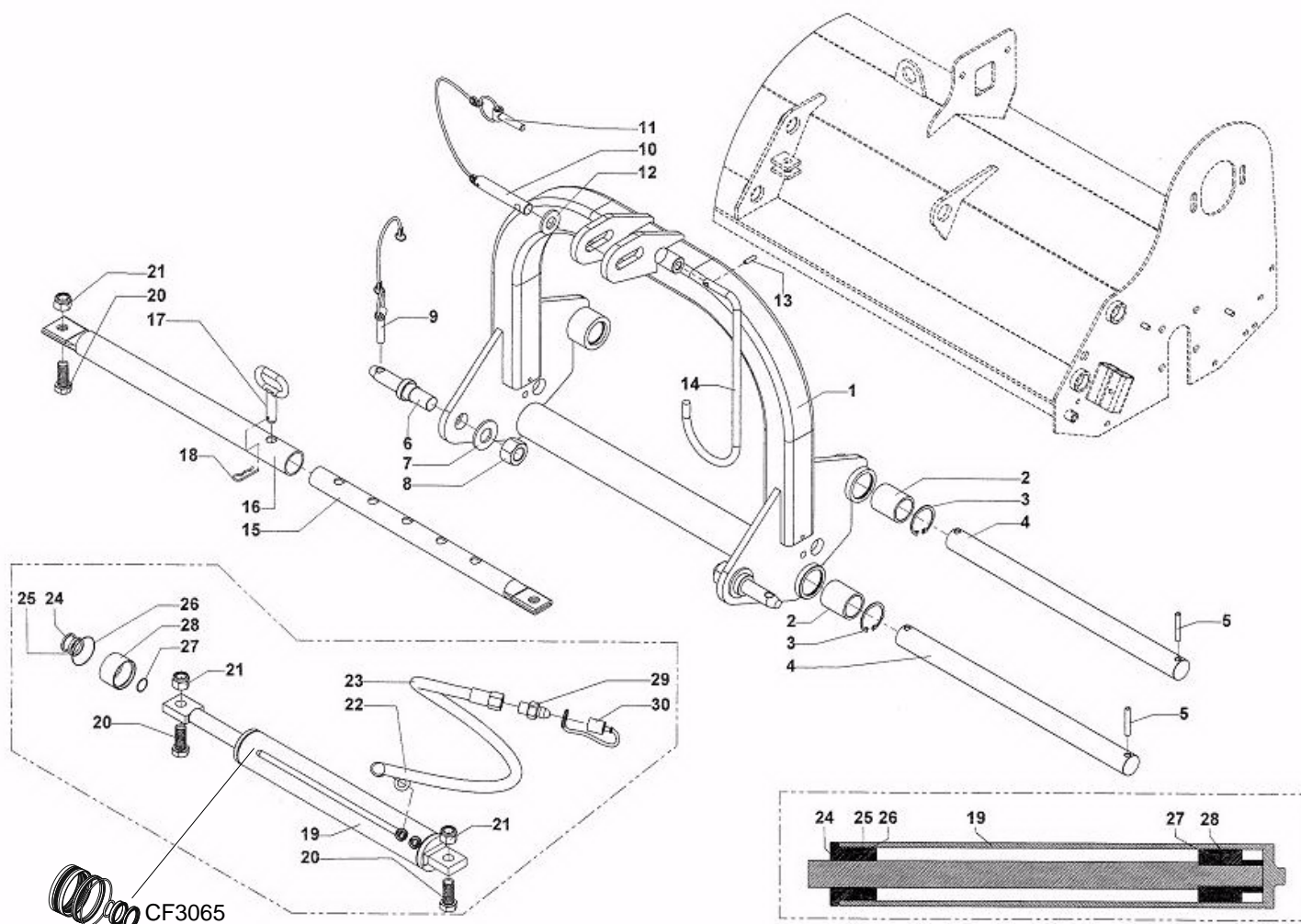
Tutti i diritti sono riservati. È vietata espressamente la ristampa o l'uso non autorizzato senza permesso scritto dalla Alpego s.p.a.

Tous droits réservés. Toute réimpression ou utilisation non autorisée sans la permission écrite de la Alpego s.p.a. est formellement interdite.

Alle Rechte vorbehalten. Nachdruck, Vervielfältigung und Verbreitung, auch auszugsweise, ist ohne schriftliche Genehmigung der Alpego s.p.a.

All rights reserved. Any reprinting or unauthorized use without the written permission of Alpego s.p.a. is expressly prohibited.

Todos los derechos reservados. Toda reproducción o uso no autorizado sin el consentimiento escrito de Alpego s.p.a. quedan expresamente prohibidos.



100476_03



Attacco a tre punti

3 Point linkage

Attelage a trois points

Schraubenbefestigung

Drawing Code:

100476_3

Accessories:

N°	Code	Old.	Descrizione /Description
#	SCOA00070	CF3065	SERIE GUARNIZIONI CIL.TR20/TR25 D50 D25

GB	FR	D	E
SERIES	SÉRIE	SERIE	SERIE

Telaio e trasmissione

Frame and pulley transmission

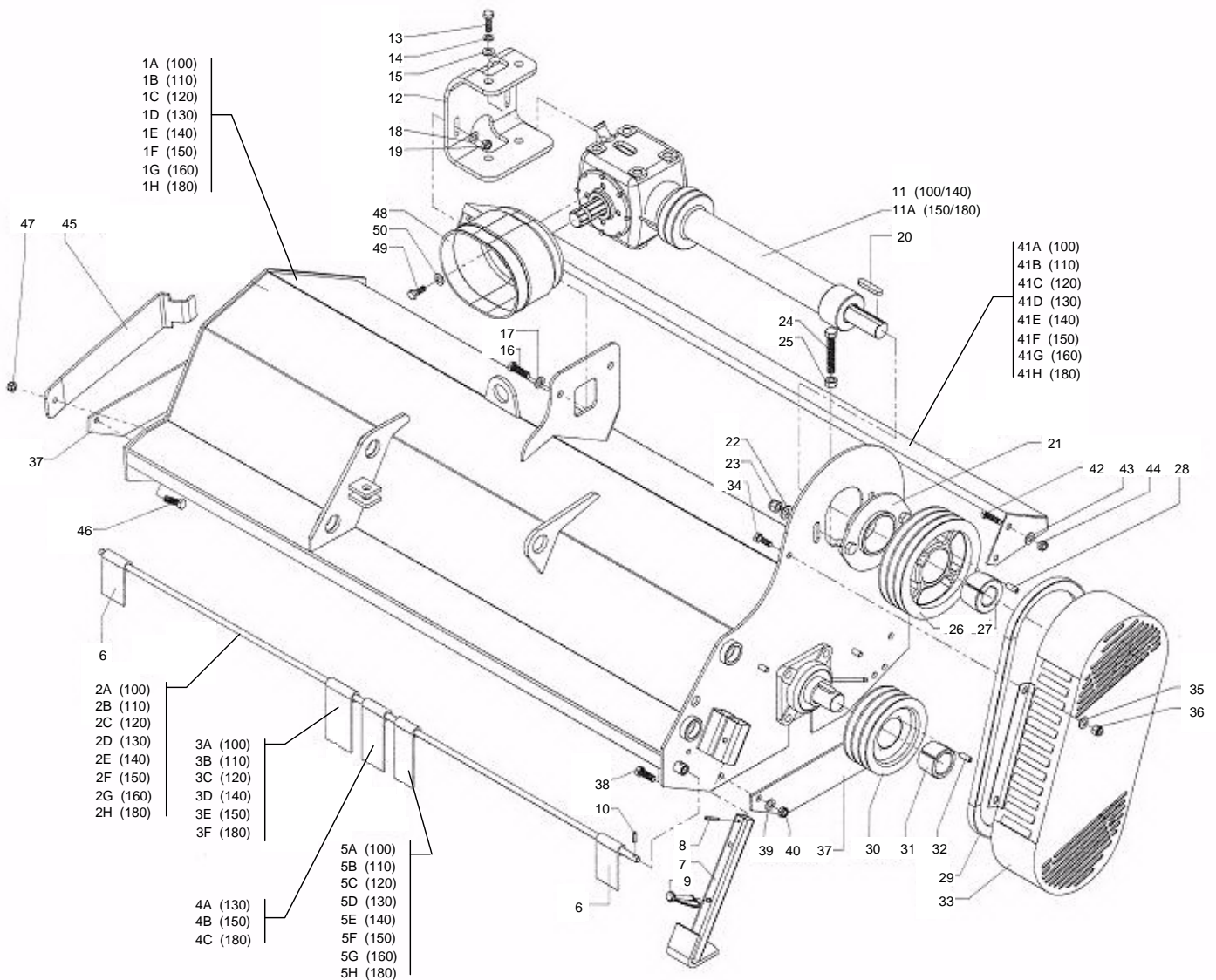
Chassis-transmission

Rahmen riemenantrieb

Drawing Code:

100477_0

Accessories:





Telaio e trasmissione
Frame and pulley transmission
Chassis-transmission
Rahmen riemenantrieb

Drawing Code: **100477_0**

Accessories:

N°	Code	Old.	Descrizione /Description	GB	FR	D	E
1A	C20A02556	R60560	TELAIO TR 15-100	FRAME	CHASSIS	RAHMEN	MARCO
1B	C20A02557	R60561	TELAIO TR 15-110	FRAME	CHASSIS	RAHMEN	MARCO
1C	C20A02558	R60562	TELAIO TR 15-120	FRAME	CHASSIS	RAHMEN	MARCO
1D	C20A02559	R60563	TELAIO TR 15-130	FRAME	CHASSIS	RAHMEN	MARCO
1E	C20A02560	R60564	TELAIO TR 15-140	FRAME	CHASSIS	RAHMEN	MARCO
1F	C20A02561	R60565	TELAIO TR 15-150	FRAME	CHASSIS	RAHMEN	MARCO
1G	C20A02562	R60566	TELAIO TR 15-160	FRAME	CHASSIS	RAHMEN	MARCO
1H	C20A02563	R60567	TELAIO TR 15-180	FRAME	CHASSIS	RAHMEN	MARCO
2A	C15A00858	R60232	ASTA SOSTEGNO BANDIERINE TR15-100	ROD	POLE	STIFT	POLOS
2B	C15A00859	R60233	ASTA SOSTEGNO BANDIERINE TR15-110	ROD	POLE	STIFT	POLOS
2C	C15A00860	R60234	ASTA SOSTEGNO BANDIERINE TR15-120	ROD	POLE	STIFT	POLOS
2D	C15A00861	R60235	ASTA SOSTEGNO BANDIERINE TR15-130	ROD	POLE	STIFT	POLOS
2E	C15A00862	R60236	ASTA SOSTEGNO BANDIERINE TR15-140	ROD	POLE	STIFT	POLOS
2F	C15A00863	R60237	ASTA SOSTEGNO BANDIERINE TR15-150	ROD	POLE	STIFT	POLOS
2G	C15A00864	R60238	ASTA SOSTEGNO BANDIERINE TR15-160	ROD	POLE	STIFT	POLOS
2H	C15A00865	R60239	ASTA SOSTEGNO BANDIERINE TR15-180	ROD	POLE	STIFT	POLOS
3E	C10A03442	R60181	BANDIERINA DI PROT. 70X4 TR20 110/160	PLATE	DRAPEAUX	BLECH	BANDERIN
3B	C10A03442	R60181	BANDIERINA DI PROT. 70X4 TR20 110/160	PLATE	DRAPEAUX	BLECH	BANDERIN
3F	C10A03442	R60181	BANDIERINA DI PROT. 70X4 TR20 110/160	PLATE	DRAPEAUX	BLECH	BANDERIN
3C	C10A03442	R60181	BANDIERINA DI PROT. 70X4 TR20 110/160	PLATE	DRAPEAUX	BLECH	BANDERIN
3A	C10A03442	R60181	BANDIERINA DI PROT. 70X4 TR20 110/160	PLATE	DRAPEAUX	BLECH	BANDERIN
3D	C10A03442	R60181	BANDIERINA DI PROT. 70X4 TR20 110/160	PLATE	DRAPEAUX	BLECH	BANDERIN
4A	C10A03443	R60182	BANDIERINA DI PROT. 50X4 TR15 130/180	PLATE	DRAPEAUX	BLECH	BANDERIN
4B	C10A03443	R60182	BANDIERINA DI PROT. 50X4 TR15 130/180	PLATE	DRAPEAUX	BLECH	BANDERIN
4C	C10A03443	R60182	BANDIERINA DI PROT. 50X4 TR15 130/180	PLATE	DRAPEAUX	BLECH	BANDERIN
5C	C10A03441	R60180	BANDIERINA DI PROT. 60X4 TR20 110/180	PLATE	DRAPEAUX	BLECH	BANDERIN
5H	C10A03441	R60180	BANDIERINA DI PROT. 60X4 TR20 110/180	PLATE	DRAPEAUX	BLECH	BANDERIN
5G	C10A03441	R60180	BANDIERINA DI PROT. 60X4 TR20 110/180	PLATE	DRAPEAUX	BLECH	BANDERIN
5F	C10A03441	R60180	BANDIERINA DI PROT. 60X4 TR20 110/180	PLATE	DRAPEAUX	BLECH	BANDERIN
5D	C10A03441	R60180	BANDIERINA DI PROT. 60X4 TR20 110/180	PLATE	DRAPEAUX	BLECH	BANDERIN
5B	C10A03441	R60180	BANDIERINA DI PROT. 60X4 TR20 110/180	PLATE	DRAPEAUX	BLECH	BANDERIN
5A	C10A03441	R60180	BANDIERINA DI PROT. 60X4 TR20 110/180	PLATE	DRAPEAUX	BLECH	BANDERIN
5E	C10A03441	R60180	BANDIERINA DI PROT. 60X4 TR20 110/180	PLATE	DRAPEAUX	BLECH	BANDERIN
6	C10A03444	R60183	BANDIERINA DI PROT. 60x4 TR15 100/180	PLATE	DRAPEAUX	BLECH	BANDERIN
7	C20A01514	E08804	PIEDINO APPOGGIO TRINCIA	FOOT	PIED	FUSS	PIE
8	MB0A00015	C04523	SPINA ELASTICA D.6X40	SOCKET	GOUPILLE	STECKER	PASADOR
10	MB0A00005	C04511	SPINA ELASTICA D.5X25	SOCKET	GOUPILLE	STECKER	PASADOR
11	M65A00085	M06908	MOLTIPLIC. R231-1/3-RL-430-D35	MULTIPLIER	MULTIPLICATEUR	UEBERSETZUNGSGETRIEBE	MULTIPLICADOR
11A	M65A00086	M06909	MOLTIPLIC. R231-1/3-RL-615-D35	MULTIPLIER	MULTIPLICATEUR	UEBERSETZUNGSGETRIEBE	MULTIPLICADOR
12	C15A00931	R60568	PIASTRA SEDE MOLTIPLICATORE TR 15-100/180	PLATE	PLAQUE	PLATTE	PLACA
13	M80A00129	C00142	VITE TE 88 PG FT M12X30 ZINC UNI 5739	SCREW	VIS	SCHRAUBE	TORNILLO
14	M90A00035	C03105	RONDELLA GROWER D.12 DIN 127	WASHER	RONDELLE	UNTERLEGSCHIEBE	ARANDELLA
15	M90A00008	C03005	RONDELLA PIANA D.13 DIN125-A ZINC.	WASHER	RONDELLE	UNTERLEGSCHIEBE	ARANDELLA
16	M80A00138	C00153	VITE TE 88 PG FT M14X40 ZINC UNI 5739	SCREW	VIS	SCHRAUBE	TORNILLO
17	M90A00009	C03006	RONDELLA PIANA D.15 DIN125-A ZINC.	WASHER	RONDELLE	UNTERLEGSCHIEBE	ARANDELLA
19	M85A00088	C02656	DADO AUTOBLOC ALTO 8 M14X1,5 H=16 UNI 7473	NUT	BOULONS	NUT	DADO
20	MC0A00004	C04907	LINGUETTA 10X8X60 UNI 6604	TONGUE	CLAVETTE	ZUNGE	LENGUA
21	C15A00932	R60569	SUPPORTO MOLTIPLICATORE TR 15-100/180	SUPPORT	SUPPORT	STUTZE	APOYO
22	M90A00030	C03054	RONDELLA PIANA D16XD42X2.5 UNI 6593 ZINC	WASHER	RONDELLE	UNTERLEGSCHIEBE	ARANDELLA

Copyright © 2009 Alpego s.p.a. ®

Tutti i diritti sono riservati. È vietata espressamente la ristampa o l'uso non autorizzato senza permesso scritto dalla Alpego s.p.a.
Tous droits réservés. Toute réimpression ou utilisation non autorisée sans la permission écrite de la Alpego s.p.a. est formellement interdite
Alle Rechte vorbehalten. Nachdruck, Vervielfältigung und Verbreitung, auch auszugsweise, ist ohne schriftliche Genehmigung der Alpego s.p.a.
All rights reserved. Any reprinting or unauthorized use without the written permission of Alpego s.p.a. is expressly prohibited
Todos los derechos reservados. Toda reproducción o uso no autorizado sin el consentimiento escrito de Alpego s.p.a. quedan expresamente prohibidos

12/07/2016

Telaio e trasmissione

Frame and pulley transmission

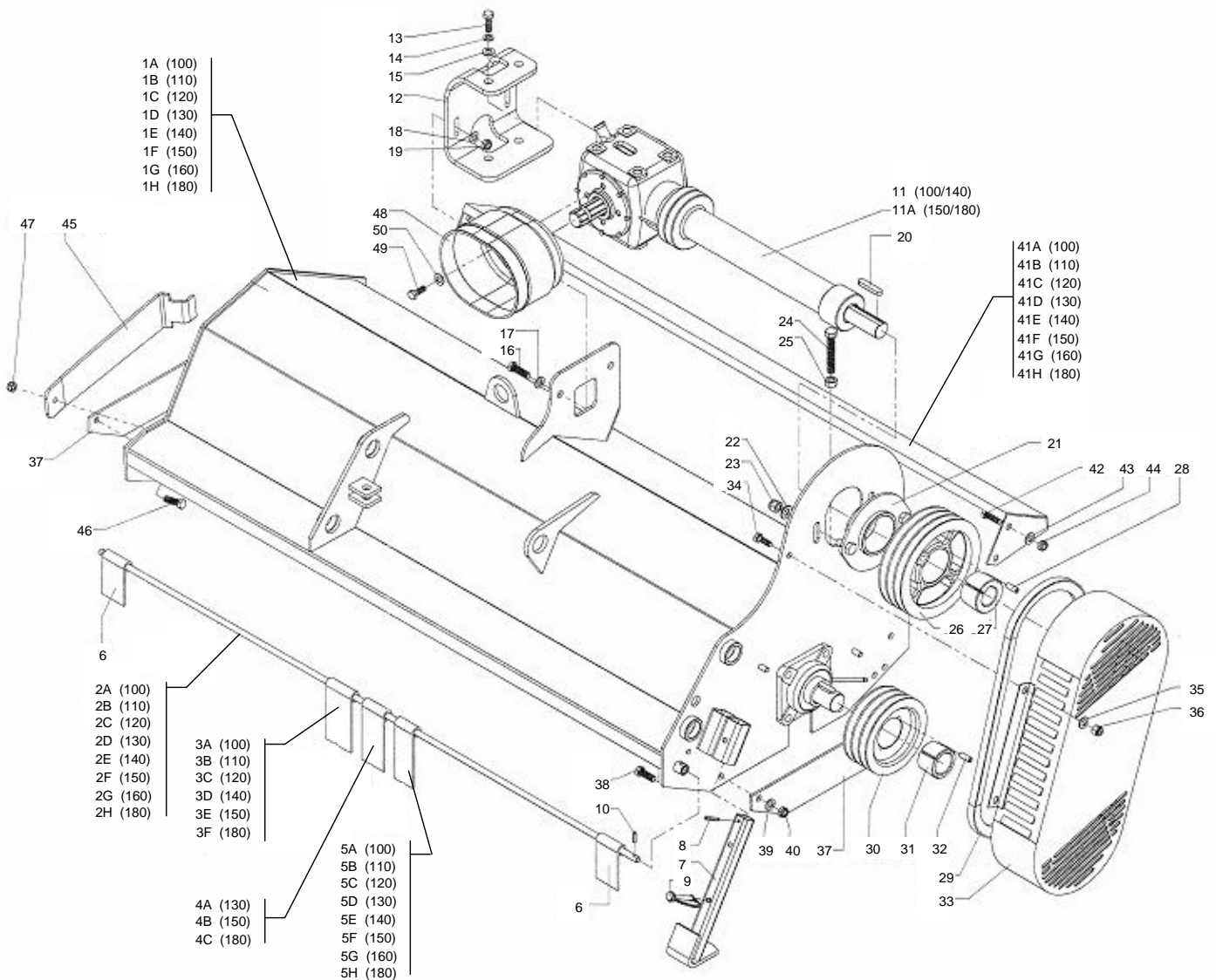
Chassis-transmission

Rahmen riemenantrieb

Drawing Code:

100477_0

Accessories:





Telaio e trasmissione

Frame and pulley transmission

Chassis-transmission

Rahmen riemenantrieb

Drawing Code:

100477_0

Accessories:

N°	Code	Old.	Descrizione /Description	GB	FR	D	E
23	M85A00088	C02656	DADO AUTOBLOC ALTO 8 M14X1,5 H=16 UNI 7473	NUT	BOULONS	NUT	DADO
24	M80A00145	C00159	VITE TE 88 PG FT M14X80 ZINC UNI 5739	SCREW	VIS	SCHRAUBE	TORNILLO
25	M85A00029	C02106	DADO NORMALE 8 PG M14 UNI 5588	NUT	BOULONS	NUT	DADO
26	M60A00020	R60155	PULEGGIA 212x3 SPB	PULLEY	POULIE	RIEMENSCHLEIBE	POLEAS
27	M75A00072	R60144	BUSSOLA CONICA (2517) 65-45 D=35	BUSHING	ENTRETOISE	BUCHSE	BRUJULA
29	M55A00019	C31533	"CINGHIA ""XPB""1250 DENTEL (TR15-TR20)"	BELT	CEINTURE	RIEMEN	CORREA
30	M60A00021	R60156	PULEGGIA 160X3 SPB	PULLEY	POULIE	RIEMENSCHLEIBE	POLEAS
31	M75A00074	R60157	BUSSOLA CONICA (2517) 65-45 D=40	BUSHING	ENTRETOISE	BUCHSE	BRUJULA
33	C20A01311	E07220	CARTER COMPL.TR15/20 TL30(140-160) ****	HOUSING	CARTER	GEHAUSE	CARTER
34	M80A00118	C00131	VITE TE 88 PG FT M10X25 ZINC UNI 5739	SCREW	VIS	SCHRAUBE	TORNILLO
35	M90A00007	C03004	RONDELLA PIANA D.10,5 DIN125-A ZINC.	WASHER	RONDELLE	UNTERLEGSCHLEIBE	ARANDELLA
37	C15A00933	R60570	PROTEZIONI LATERALI TR 15-100/180	PROTECTIONS	PROTECTION	SCHUTZ	PROTECCIÓN
39	M90A00008	C03005	RONDELLA PIANA D.13 DIN125-A ZINC.	WASHER	RONDELLE	UNTERLEGSCHLEIBE	ARANDELLA
40							
41A	C20A02564	R60571	PROTEZIONE POSTERIORE TR 15-100	PROTECTION	PROTECTION	SCHUTZ	PROTECCIÓN
41B	C20A02565	R60572	PROTEZIONE POSTERIORE TR 15-110	PROTECTION	PROTECTION	SCHUTZ	PROTECCIÓN
41C	C20A02566	R60573	PROTEZIONE POSTERIORE TR 15-120	PROTECTION	PROTECTION	SCHUTZ	PROTECCIÓN
41D	C20A02567	R60574	PROTEZIONE POSTERIORE TR 15-130	PROTECTION	PROTECTION	SCHUTZ	PROTECCIÓN
41E	C20A02568	R60575	PROTEZIONE POSTERIORE TR 15-140	PROTECTION	PROTECTION	SCHUTZ	PROTECCIÓN
41F	C20A02569	R60576	PROTEZIONE POSTERIORE TR 15-150	PROTECTION	PROTECTION	SCHUTZ	PROTECCIÓN
41G	C20A02570	R60577	PROTEZIONE POSTERIORE TR 15-160	PROTECTION	PROTECTION	SCHUTZ	PROTECCIÓN
41H	C20A02571	R60578	PROTEZIONE POSTERIORE TR 15-180	PROTECTION	PROTECTION	SCHUTZ	PROTECCIÓN
43	M90A00008	C03005	RONDELLA PIANA D.13 DIN125-A ZINC.	WASHER	RONDELLE	UNTERLEGSCHLEIBE	ARANDELLA
45	C10A00897	330379P	PROT. EST DX TR15/25 04711 SP6M	PROTECTION	PROTECTION	SCHUTZ	PROTECCIÓN
50	M90A00007	C03004	RONDELLA PIANA D.10,5 DIN125-A ZINC.	WASHER	RONDELLE	UNTERLEGSCHLEIBE	ARANDELLA

Rotore con supporti

Rotor and holder

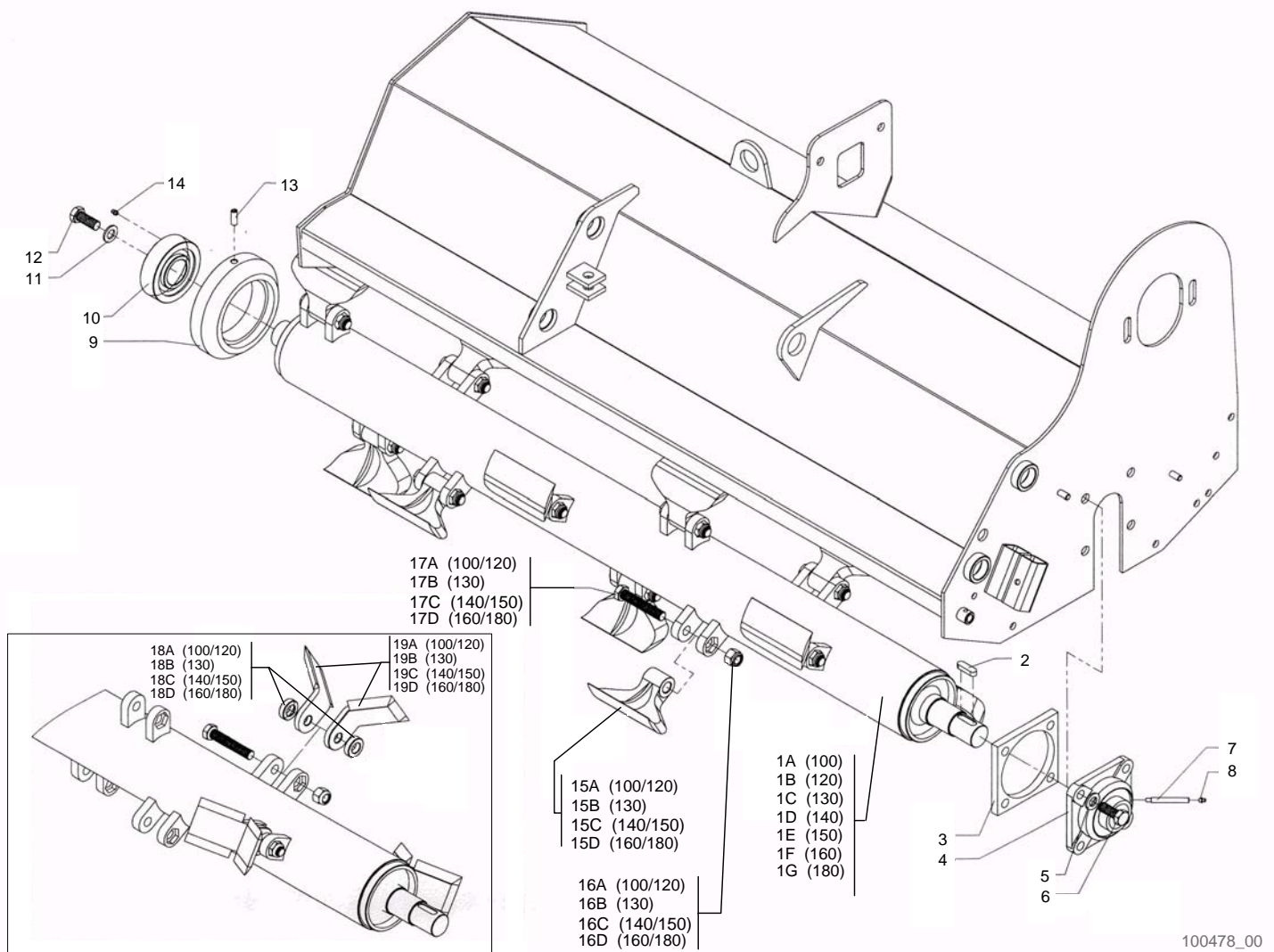
Rotor au support

Rotor - stutze

Drawing Code:

100478_0

Accessories:



100478_00



Rotore con supporti

Rotor and holder

Rotor au support

Rotor - stutze

Drawing Code:

100478_0

Accessories:

N°	Code	Old.	Descrizione /Description	GB	FR	D	E
1A	M10A00099	R60184	ROTORE TR15-100	ROTOR	ROTOR	ROTOR	ROTOR
1B	M10A00100	R60185	ROTORE TR15-110	ROTOR	ROTOR	ROTOR	ROTOR
1C	M10A00101	R60186	ROTORE TR15-120	ROTOR	ROTOR	ROTOR	ROTOR
1D	M10A00102	R60187	ROTORE TR15-130	ROTOR	ROTOR	ROTOR	ROTOR
1E	M10A00103	R60188	ROTORE TR15-140	ROTOR	ROTOR	ROTOR	ROTOR
1F	M10A00104	R60189	ROTORE TR15-150	ROTOR	ROTOR	ROTOR	ROTOR
1G	M10A00105	R60190	ROTORE TR15-160	ROTOR	ROTOR	ROTOR	ROTOR
1H	M10A00106	R60191	ROTORE TR15-180	ROTOR	ROTOR	ROTOR	ROTOR
3	C15A00855	R60158	PIASTRA FISSAGGIO SUPPORTO UCF209	PLATE	PLAQUE	PLATTE	PLACA
4	M30A00008	C23015A	SUPPORTO UCF 209 CLASSE A	SUPPORT	SUPPORT	STUTZE	APOYO
7	C15A00944	R60625	PROLUNGA X INGRASSATORE M6 SUPP ROTORE (TR15)	EXTENSION	EXTENSION	VERLAENGERUNG	EXTENSIÓN
8	MJ5A00001	C41101	INGRASSATORE M6X1 DIRITTO	GREASE NIPPLE	GRAISSOR	FETTBUECHSE	ENGRASADOR
9	M35A00067	R60146	SUPPORTO PER CUSCINETTO DES.TR15	SUPPORT	SUPPORT	STUTZE	APOYO
10	M35A00068	R60147	SUPPORTO A CARTUCCIA UCC.209/A	SUPPORT	SUPPORT	STUTZE	APOYO
15D	MK0A00211	P40060	MAZZA TRINCIA FORO=16.5 LARG=140 R=95	HAMMER	MARTEAUX	HAMMERSCHLEGEL	MAZA/MARTILLO
15C	MK0A00211	P40060	MAZZA TRINCIA FORO=16.5 LARG=140 R=95	HAMMER	MARTEAUX	HAMMERSCHLEGEL	MAZA/MARTILLO
15B	MK0A00211	P40060	MAZZA TRINCIA FORO=16.5 LARG=140 R=95	HAMMER	MARTEAUX	HAMMERSCHLEGEL	MAZA/MARTILLO
15A	MK0A00211	P40060	MAZZA TRINCIA FORO=16.5 LARG=140 R=95	HAMMER	MARTEAUX	HAMMERSCHLEGEL	MAZA/MARTILLO
16A	M80A00340	C00846	VITE TE 12.9 PG M16X92 FIL22 UNI 5737	SCREW	VIS	SCHRAUBE	TORNILLO
16B	M80A00340	C00846	VITE TE 12.9 PG M16X92 FIL22 UNI 5737	SCREW	VIS	SCHRAUBE	TORNILLO
16C	M80A00340	C00846	VITE TE 12.9 PG M16X92 FIL22 UNI 5737	SCREW	VIS	SCHRAUBE	TORNILLO
16D	M80A00340	C00846	VITE TE 12.9 PG M16X92 FIL22 UNI 5737	SCREW	VIS	SCHRAUBE	TORNILLO
17D	M85A00080	C02607	DADO AUTOBLOC ALTO 8 M16 H=18 UNI 7473	NUT	BOULONS	NUT	DADO
17C	M85A00080	C02607	DADO AUTOBLOC ALTO 8 M16 H=18 UNI 7473	NUT	BOULONS	NUT	DADO
17B	M85A00080	C02607	DADO AUTOBLOC ALTO 8 M16 H=18 UNI 7473	NUT	BOULONS	NUT	DADO
17A	M85A00080	C02607	DADO AUTOBLOC ALTO 8 M16 H=18 UNI 7473	NUT	BOULONS	NUT	DADO
18D	C15A00801	P40088	DISTANZIALE FORO 19 H10.5 D35 (XCOLT.)	SPACER	ENTRETOISE	ABSTANDSTUECK	ESPACIADORES
18A	C15A00801	P40088	DISTANZIALE FORO 19 H10.5 D35 (XCOLT.)	SPACER	ENTRETOISE	ABSTANDSTUECK	ESPACIADORES
18C	C15A00801	P40088	DISTANZIALE FORO 19 H10.5 D35 (XCOLT.)	SPACER	ENTRETOISE	ABSTANDSTUECK	ESPACIADORES
18B	C15A00801	P40088	DISTANZIALE FORO 19 H10.5 D35 (XCOLT.)	SPACER	ENTRETOISE	ABSTANDSTUECK	ESPACIADORES
19A	MK0A00220	P40086	COLTELLO UNIVERS. TRISAR D16.5 L70 R=95	BLADE	COUTEAU	MESSER	CUCHILLO
19B	MK0A00220	P40086	COLTELLO UNIVERS. TRISAR D16.5 L70 R=95	BLADE	COUTEAU	MESSER	CUCHILLO
19C	MK0A00220	P40086	COLTELLO UNIVERS. TRISAR D16.5 L70 R=95	BLADE	COUTEAU	MESSER	CUCHILLO
19D	MK0A00220	P40086	COLTELLO UNIVERS. TRISAR D16.5 L70 R=95	BLADE	COUTEAU	MESSER	CUCHILLO
20A	M10A00107	R60192	ROTORE COMPLETO DI MAZZE TR15-100	ROTOR	ROTOR	ROTOR	ROTOR
20B	M10A00108	R60193	ROTORE COMPLETO DI MAZZE TR15-120	ROTOR	ROTOR	ROTOR	ROTOR
20C	M10A00109	R60194	ROTORE COMPLETO DI MAZZE TR15-130	ROTOR	ROTOR	ROTOR	ROTOR
20D	M10A00110	R60195	ROTORE COMPLETO DI MAZZE TR15-140	ROTOR	ROTOR	ROTOR	ROTOR
20E	M10A00111	R60196	ROTORE COMPLETO DI MAZZE TR15-150	ROTOR	ROTOR	ROTOR	ROTOR
20F	M10A00112	R60197	ROTORE COMPLETO DI MAZZE TR15-160	ROTOR	ROTOR	ROTOR	ROTOR
20G	M10A00113	R60198	ROTORE COMPLETO DI MAZZE TR15-180	ROTOR	ROTOR	ROTOR	ROTOR

Slitte ed aste posteriori

Skids - Pickup teeth

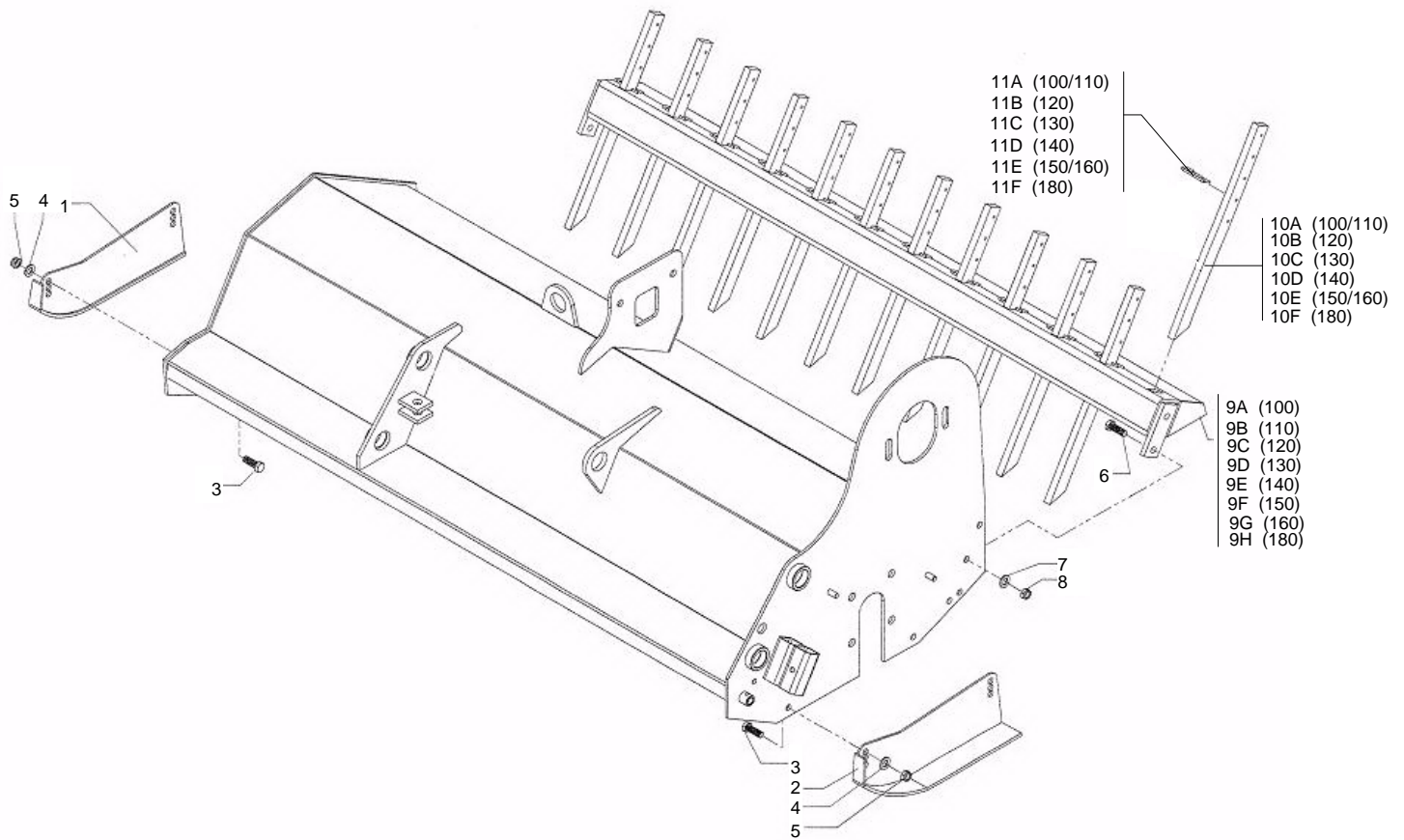
Patins - Dents de ramassage

Gleitkufen - Ruhrstange

Drawing Code:

100479_0

Accessories:



100479_00



Slitte ed aste posteriori

Skids - Pickup teeth

Patins - Dents de ramassage

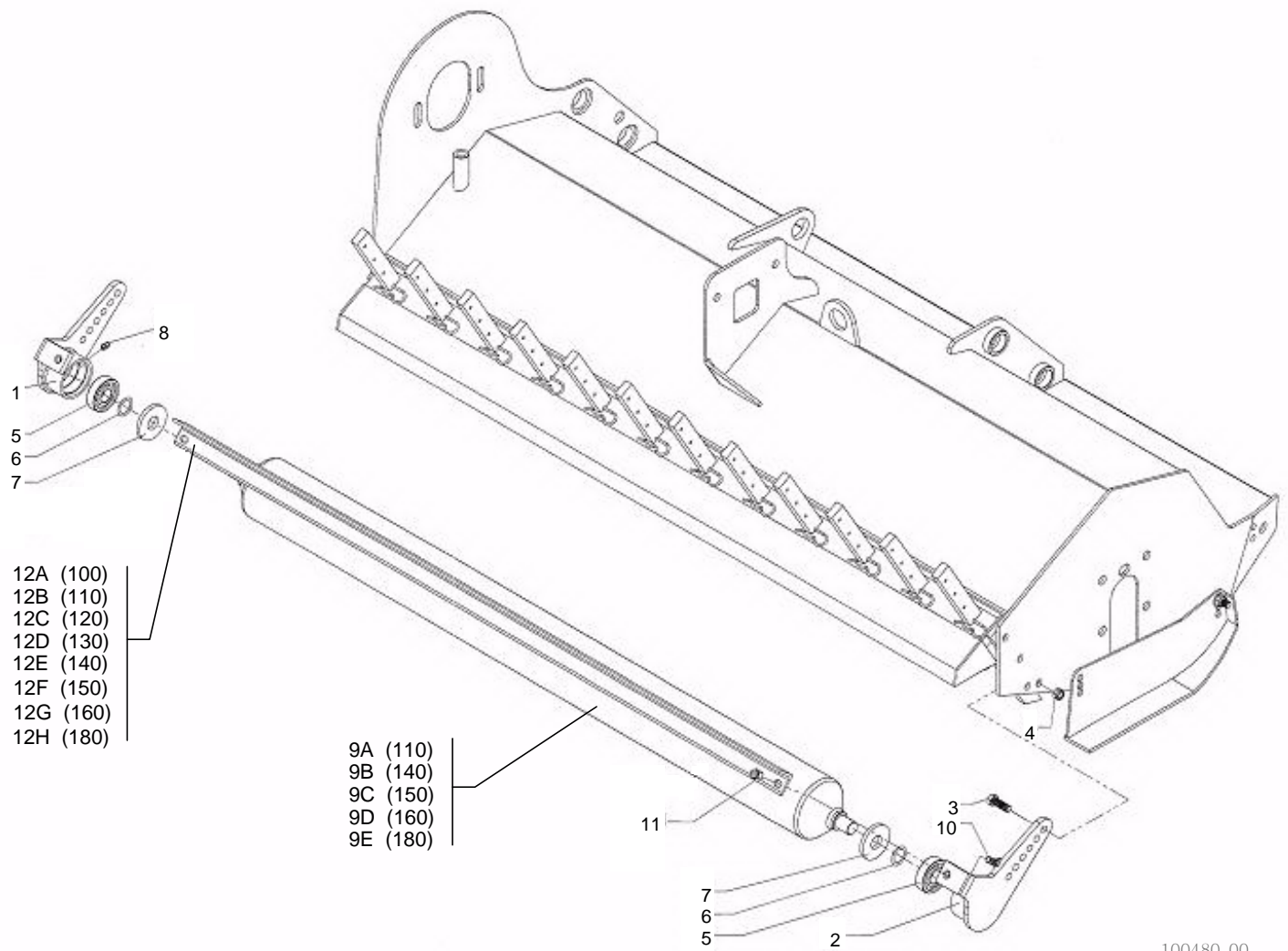
Gleitkufen - Ruhrstange

Drawing Code:

100479_0

Accessories:

N°	Code	Old.	Descrizione /Description	GB	FR	D	E
2	C20A02573	R60581	SLITTA SX TR 15-100/180	SKID	PATTINS	SLED	TRINEO
4	M90A00008	C03005	RONDELLA PIANA D.13 DIN125-A ZINC.	WASHER	RONDELLE	UNTERLEGSSCHEIBE	ARANDELLA
7	M90A00008	C03005	RONDELLA PIANA D.13 DIN125-A ZINC.	WASHER	RONDELLE	UNTERLEGSSCHEIBE	ARANDELLA
9A	C20A02574	R60582	SUPPORTO ASTE COMPLETO TR 15-100	SUPPORT	SUPPORT	STUTZE	APOYO
9B	C20A02575	R60583	SUPPORTO ASTE COMPLETO TR 15-110	SUPPORT	SUPPORT	STUTZE	APOYO
9C	C20A02576	R60584	SUPPORTO ASTE COMPLETO TR 15-120	SUPPORT	SUPPORT	STUTZE	APOYO
9D	C20A02577	R60585	SUPPORTO ASTE COMPLETO TR 15-130	SUPPORT	SUPPORT	STUTZE	APOYO
9E	C20A02578	R60586	SUPPORTO ASTE COMPLETO TR 15-140	SUPPORT	SUPPORT	STUTZE	APOYO
9F	C20A02579	R60587	SUPPORTO ASTE COMPLETO TR 15-150	SUPPORT	SUPPORT	STUTZE	APOYO
9G	C20A02580	R60588	SUPPORTO ASTE COMPLETO TR 15-160	SUPPORT	SUPPORT	STUTZE	APOYO
9H	C20A02581	R60589	SUPPORTO ASTE COMPLETO TR 15-180	SUPPORT	SUPPORT	STUTZE	APOYO
10A	C15A00914	R60490	ASTA POSTERIORE TR30 30X15X450 PASSO 45MM D.5	ROD	POLE	STIFT	POLOS
10B	C15A00914	R60490	ASTA POSTERIORE TR30 30X15X450 PASSO 45MM D.5	ROD	POLE	STIFT	POLOS
10C	C15A00914	R60490	ASTA POSTERIORE TR30 30X15X450 PASSO 45MM D.5	ROD	POLE	STIFT	POLOS
10D	C15A00914	R60490	ASTA POSTERIORE TR30 30X15X450 PASSO 45MM D.5	ROD	POLE	STIFT	POLOS
10E	C15A00914	R60490	ASTA POSTERIORE TR30 30X15X450 PASSO 45MM D.5	ROD	POLE	STIFT	POLOS
10F	C15A00914	R60490	ASTA POSTERIORE TR30 30X15X450 PASSO 45MM D.5	ROD	POLE	STIFT	POLOS
1	C20A02572	R60580	SLITTA DES. TR 15-100/180	SKID	PATTINS	SLED	TRINEO



100480_00



Rullo posteriore
Rear roller
Rouleau posterieur
Hinter Walze

Drawing Code: **100480_0**

Accessories:

N°	Code	Old.	Descrizione /Description
1	C20A02494	R60148	FIANCO SUPPORTO RULLO SIN. TR15
2	C20A02495	R60149	FIANCO SUPPORTO RULLO DES. TR15
3	M80A00130	C00143	VITE TE 88 PG FT M12X35 ZINC UNI 5739
5	M20A00042	C21213	CUSCINETTO 6305 Z 25X62X17
6	MA5A00122	R60150	SPESSORE 25x35x0.5
7	M35A00069	R60151	RONDELLA PARAPOLVERE TR15
8	MJ5A00003	C41103	INGRASSATORE M8X1.25 DRITTO ESAGONO 11.
9A	C20A02504	R60271	RULLO POST.TR15-120
9B	C20A02505	R60272	RULLO POST.TR15-140
9C	C20A02506	R60273	RULLO POST.TR15-150
9D	C20A02507	R60274	RULLO POST.TR15-160
9E	C20A02508	R60275	RULLO POST.TR15-180
10	M80A00120	C00132	VITE TE 88 PG FT M10X30 ZINC UNI 5739
12B	C15A00926	R60553	RASCHIETTO TR20-110
12C	C15A00927	R60554	RASCHIETTO TR20-120
12G	C15A00929	R60556	RASCHIETTO TR20-160
12H	C15A00930	R60557	RASCHIETTO TR20-180
12A	C15A00935	R60590	RASCHIETTO TR 15-100
12D	C15A00936	R60593	RASCHIETTO TR 15-130
12E	C15A00937	R60594	RASCHIETTO TR 15-140
12F	C15A00938	R60595	RASCHIETTO TR 15-150

GB	FR	D	E
SIDE	LONG	NEBEN	JUNTO
SIDE	LONG	NEBEN	JUNTO
SCREW	VIS	SCHRAUBE	TORNILLO
BEARING	ROULEMENT	KUGELLAGER	COJINETE
THICKNESS	CALES	DICKE	ESPESOR
WASHER	RONDELLE	UNTERLEGSCHIEBE	ARANDELLA
GREASE NIPPLE	GRAISSOR	FETTBUECHSE	ENGRASADOR
ROLLER	ROULEAU	WALZE	RODILLO
ROLLER	ROULEAU	WALZE	RODILLO
ROLLER	ROULEAU	WALZE	RODILLO
ROLLER	ROULEAU	WALZE	RODILLO
ROLLER	ROULEAU	WALZE	RODILLO
ROLLER	ROULEAU	WALZE	RODILLO
SCREW	VIS	SCHRAUBE	TORNILLO
SCRAPER	SCRAPERS	ABSTREIFER	RASCADORES
SCRAPER	SCRAPERS	ABSTREIFER	RASCADORES
SCRAPER	SCRAPERS	ABSTREIFER	RASCADORES
SCRAPER	SCRAPERS	ABSTREIFER	RASCADORES
SCRAPER	SCRAPERS	ABSTREIFER	RASCADORES
SCRAPER	SCRAPERS	ABSTREIFER	RASCADORES
SCRAPER	SCRAPERS	ABSTREIFER	RASCADORES
SCRAPER	SCRAPERS	ABSTREIFER	RASCADORES

Moltiplicatore M06908

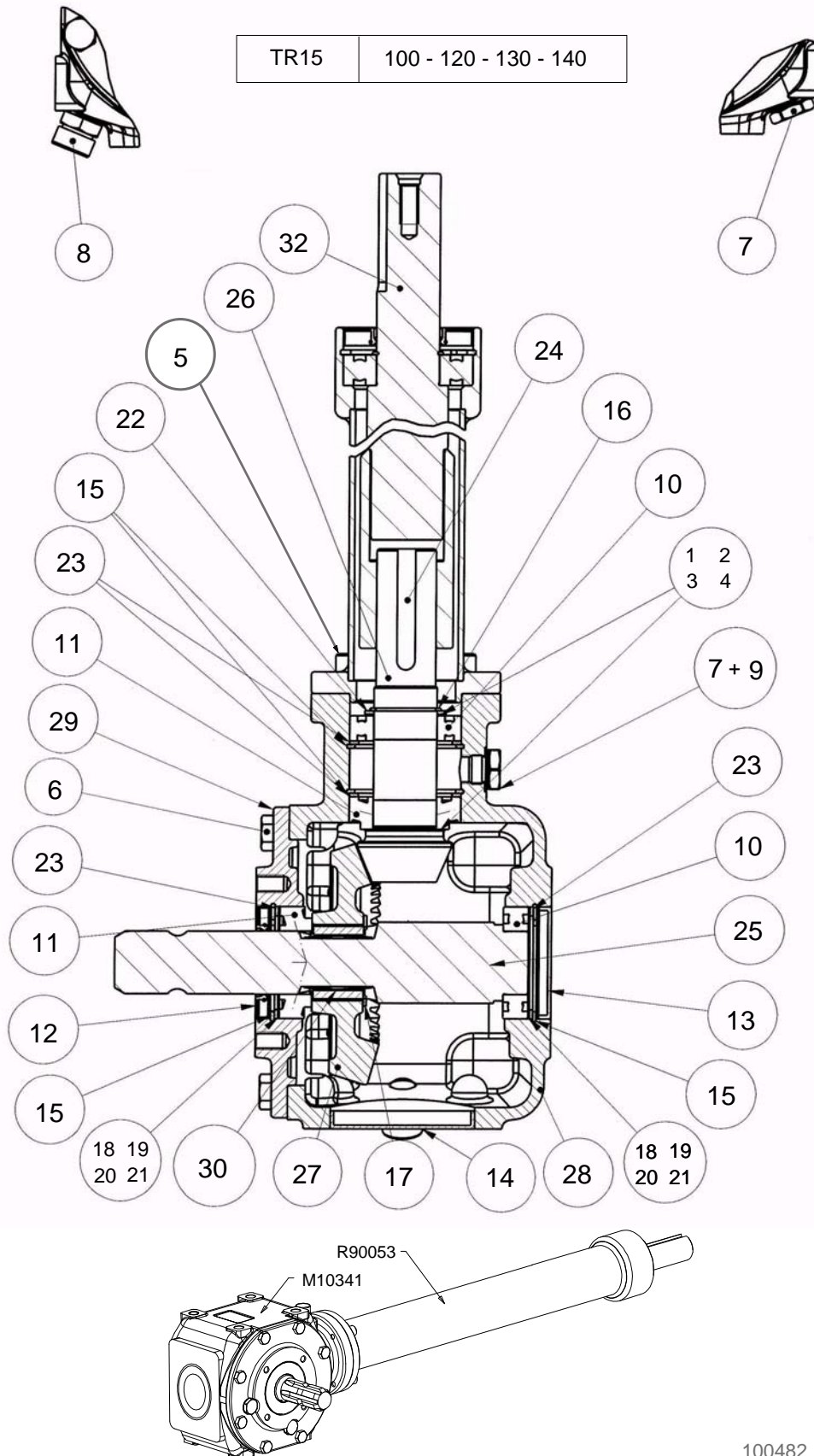
Overgear M06908

Multiplicateur M06908

Übersetzen M06908

Drawing Code: **100482_0_f1**

Accessories:



100482_00_f1



Moltiplicatore M06908

Overgear M06908

Multiplicateur M06908

Übersetzen M06908

Drawing Code: **100482_0_f1**

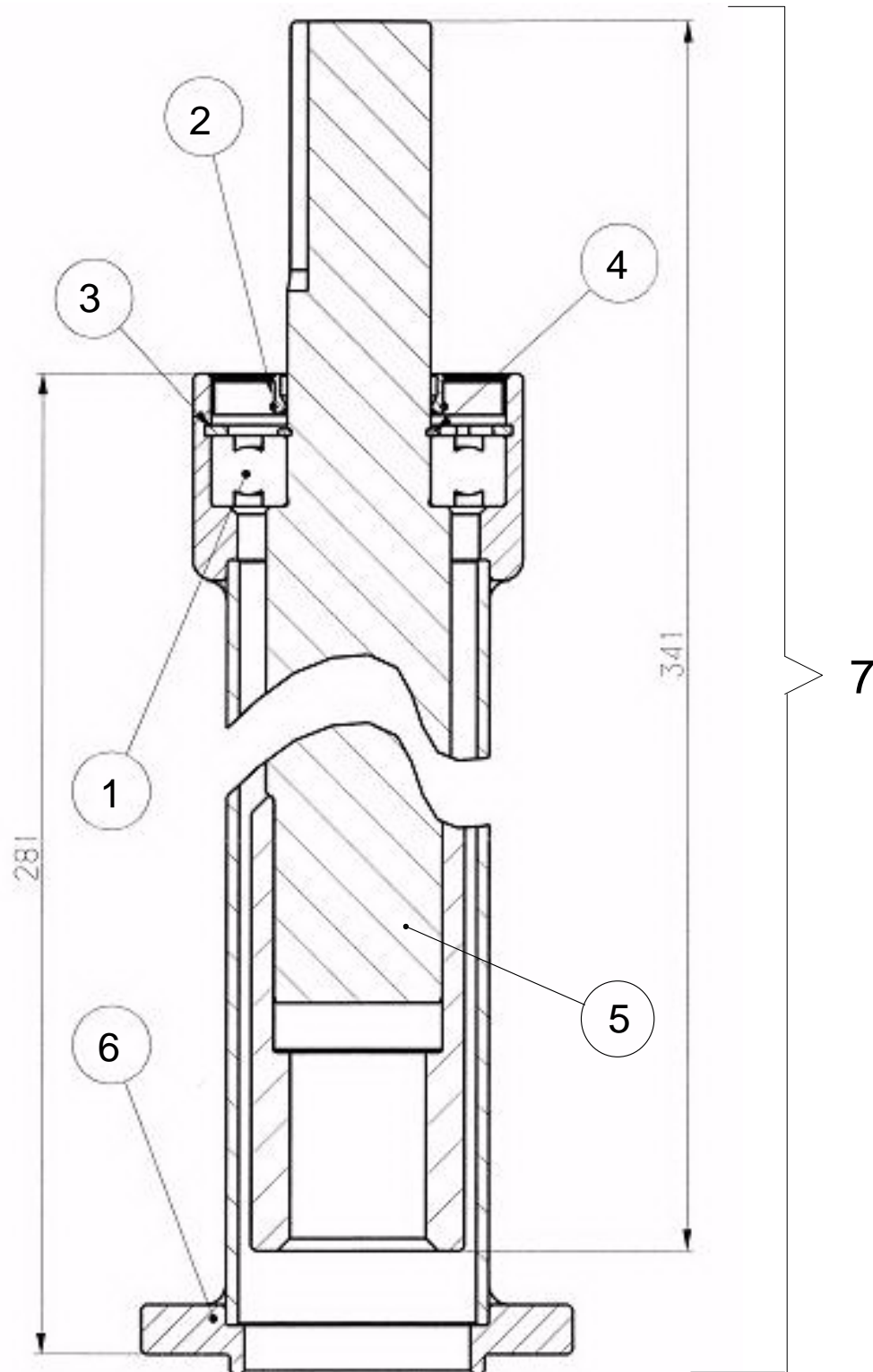
Accessories:

N°	Code	Old.	Descrizione /Description
7	H45A00016	C41225	TAPPO M16X1,5 (32.A)
8	H65A00002	C41230	TAPPO SFIATO M16X1,5 (30.A) LABIRINTO
12	H00A00103	C10116	PARAOILIO BASL D.35X62X7
25	M45A00127	R90055	ALBERO 1PTO 1.3/8 Z=6 R.L.230
26	M40A00146	R90047	FIG. CON. Z=12 M=3.65 RAPP.=3.083 D.33
27	M40A00147	R90048	CORONA CON. RUOTA LIBERA DX Z=37 M=3.65
28	C15A01020	R90049	SCATOLA RIDUTTORE R230
29	M35A00085	R90050	COPERCHIO R230
30	M75A00143	R90020	KIT NOTTOLINO L=28 + MOLLA RUOTA LIBERA TL30-TL32
32	M65A00159	R90053	PROLUNGA COMPLETA L=281/430 CH M10 R231
#	M65A00109	M10341	MOLTIPLICATORE TESTA R230 1 P.D.F
#	M65A00159	R90053	PROLUNGA COMPLETA L=281/430 CH M10 R231

GB	FR	D	E
PLUG	BOUCHON	STOEPSSEL	ENCHUFE
PLUG	BOUCHON	STOEPSSEL	ENCHUFE
SEALING RING	JOINT SPI	OELABDICHTUNG	PARAOILIO
SHAFT	ARBRE	WELLE	EJE
PINION	PIGNON	RITZEL	PIÑON
CROWN	COURONNE	KRONE	CORONA
BOX	BOITE	SCHACTEL	RECUADRO
LID	COUVERCLE	DECKEL	TAPA
KIT	KIT	KIT	KIT
EXTENSION	EXTENSION	VERLAENGERUNG	EXTENSIÓN
MULTIPLIER	MULTIPLICATEUR	UEBERSETZUNGSGETRIEBE	MULTIPLICADOR
EXTENSION	EXTENSION	VERLAENGERUNG	EXTENSIÓN

TR15

100 - 120 - 130 - 140



100482_00_f2



Prolunga moltiplicatore M06908

Overgear M06908

Multiplicateur M06908

Übersetzen M06908

Drawing Code: **100482_0_f2**

Accessories:

N°	Code	Old.	Descrizione /Description
1	M20A00024	C21116	CUSCINETTO 6207 35x72x17
2	H00A00006	C10013	PARAOLIO BA D.35X72X10
3	MA0A00008	C04033	SEEGER FORO D.72 UNI 7437
4	MA0A00036	C04138	SEEGER ALBERO D.35 UNI 7435
7	M65A00159	R90053	PROLUNGA COMPLETA L=281/430 CH M10 R231

GB	FR	D	E
BEARING	ROULEMENT	KUGELLAGER	COJINETE
SEALING RING	JOINT SPI	OELABDICHTUNG	PARAOLIO
SEEGER	SEEGER	SEEGER	SEEGER
SEEGER	SEEGER	SEEGER	SEEGER
EXTENSION	EXTENSION	VERLAENGERUNG	EXTENSIÓN

Moltiplicatore M06909

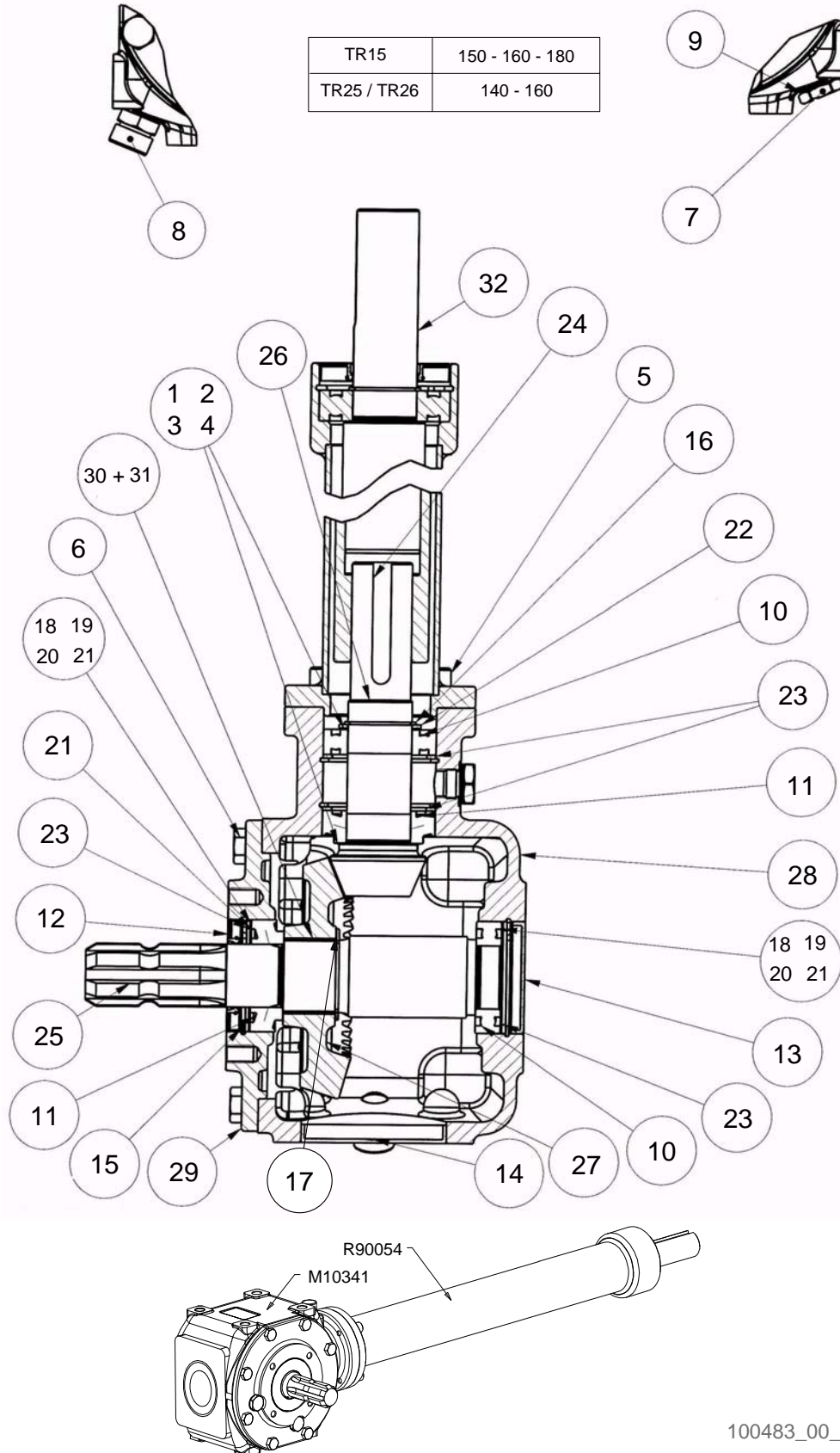
Overgear M06909

Multiplicateur M06909

Übersetzen M06909

Drawing Code: **100483_0_f1**

Accessories:



100483_00_f1



Moltiplicatore M06909

Overgear M06909

Multiplicateur M06909

Übersetzen M06909

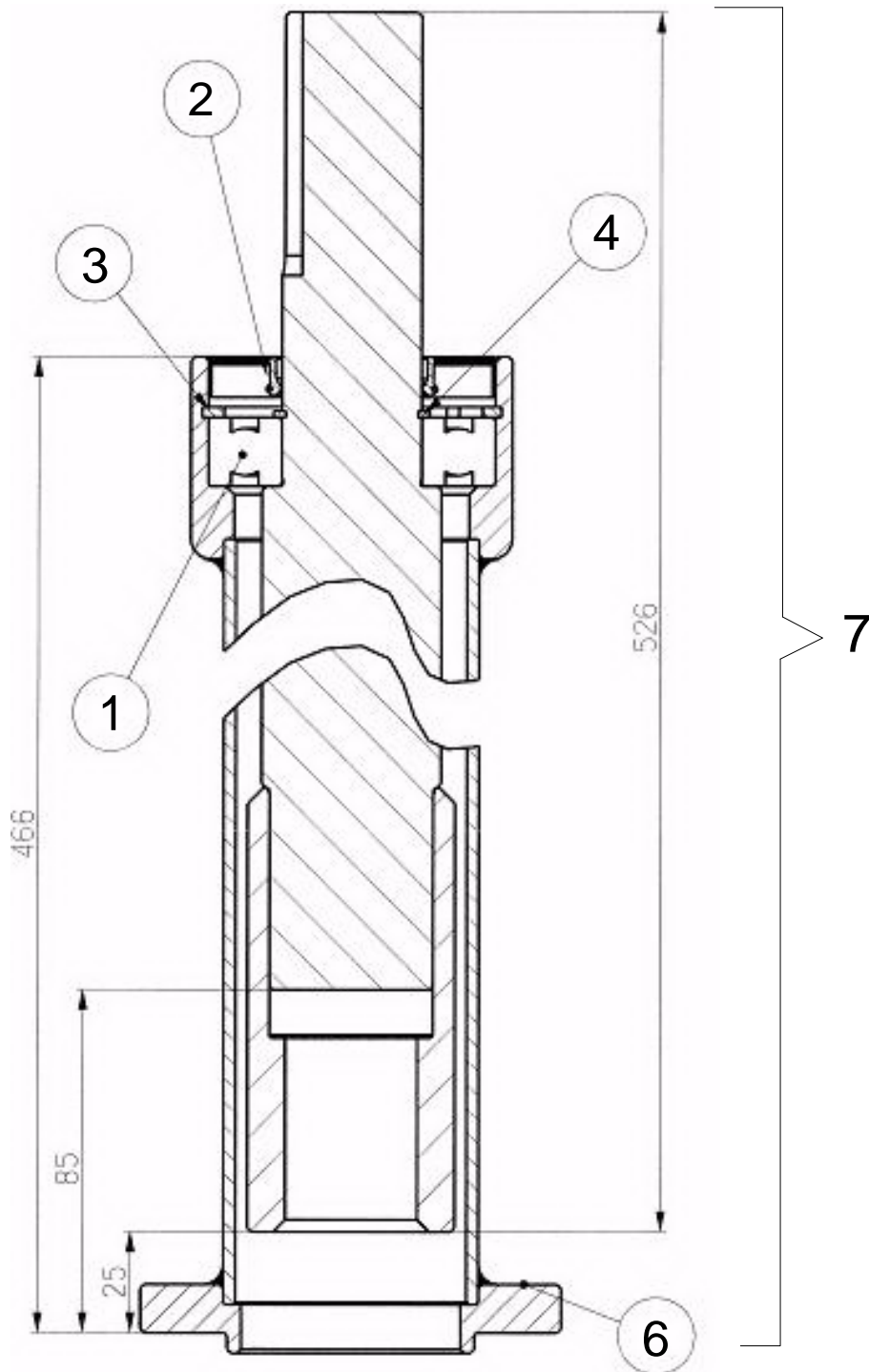
Drawing Code: **100483_0_f1**

Accessories:

N°	Code	Old.	Descrizione /Description
12	H00A00103	C10116	PARAOLIO BASL D.35X62X7
25	M45A00127	R90055	ALBERO 1PTO 1.3/8 Z=6 R.L.230
26	M40A00146	R90047	PIG. CON. Z=12 M=3.65 RAPP.=3.083 D.33
27	M40A00147	R90048	CORONA CON. RUOTA LIBERA DX Z=37 M=3.65
28	C15A01020	R90049	SCATOLA RIDUTTORE R230
29	M35A00085	R90050	COPERCHIO R230
30	M75A00143	R90020	KIT NOTTOLINO L=28 + MOLLA RUOTA LIBERA TL30-TL32
31	MF5A00085	R90021	MOLLA PER RUOTA LIBERA TL30-TL32
32	M65A00160	R90054	PROLUNGA COMPLETA L=466/615 CH R231
#	M65A00109	M10341	MOLTIPLICATORE TESTA R230 1 P.D.F
#	M65A00160	R90054	PROLUNGA COMPLETA L=466/615 CH R231

GB	FR	D	E
SEALING RING	JOINT SPI	OELABDICHTUNG	PARAOLIO
SHAFT	ARBRE	WELLE	EJE
PINION	PIGNON	RITZEL	PIÑON
CROWN	COURONNE	KRONE	CORONA
BOX	BOITE	SCHACTEL	RECUADRO
LID	COUVERCLE	DECKEL	TAPA
KIT	KIT	KIT	KIT
SPRING	RESSORT	FEDER	MUELLE
EXTENSION	EXTENSION	VERLAENGERUNG	EXTENSIÓN
MULTIPLIER	MULTIPLICATEUR	UEBERSETZUNGSGETRIEBE	MULTIPLICADOR
EXTENSION	EXTENSION	VERLAENGERUNG	EXTENSIÓN

TR15	150 - 160 - 180
TR25 / TR26	140 - 160



100483_00_f2



Prolunga moltiplicatore M06909

Overgear M06909

Multiplicateur M06909

Übersetzen M06909

Drawing Code: **100483_0_f2**

Accessories:

N°	Code	Old.	Descrizione /Description
1	M20A00024	C21116	CUSCINETTO 6207 35x72x17
2	H00A00044	C10118	PARAOLIO BASL D.35X72X10
3	MA0A00008	C04033	SEEGER FORO D.72 UNI 7437
4	MA0A00036	C04138	SEEGER ALBERO D.35 UNI 7435
7	M65A00160	R90054	PROLUNGA COMPLETA L=466/615 CH R231

GB	FR	D	E
BEARING	ROULEMENT	KUGELLAGER	COJINETE
SEALING RING	JOINT SPI	OELABDICHTUNG	PARAOLIO
SEEGER	SEEGER	SEEGER	SEEGER
SEEGER	SEEGER	SEEGER	SEEGER
EXTENSION	EXTENSION	VERLAENGERUNG	EXTENSIÓN



Cardano M06950

PTO shaft

Arbre de transmission

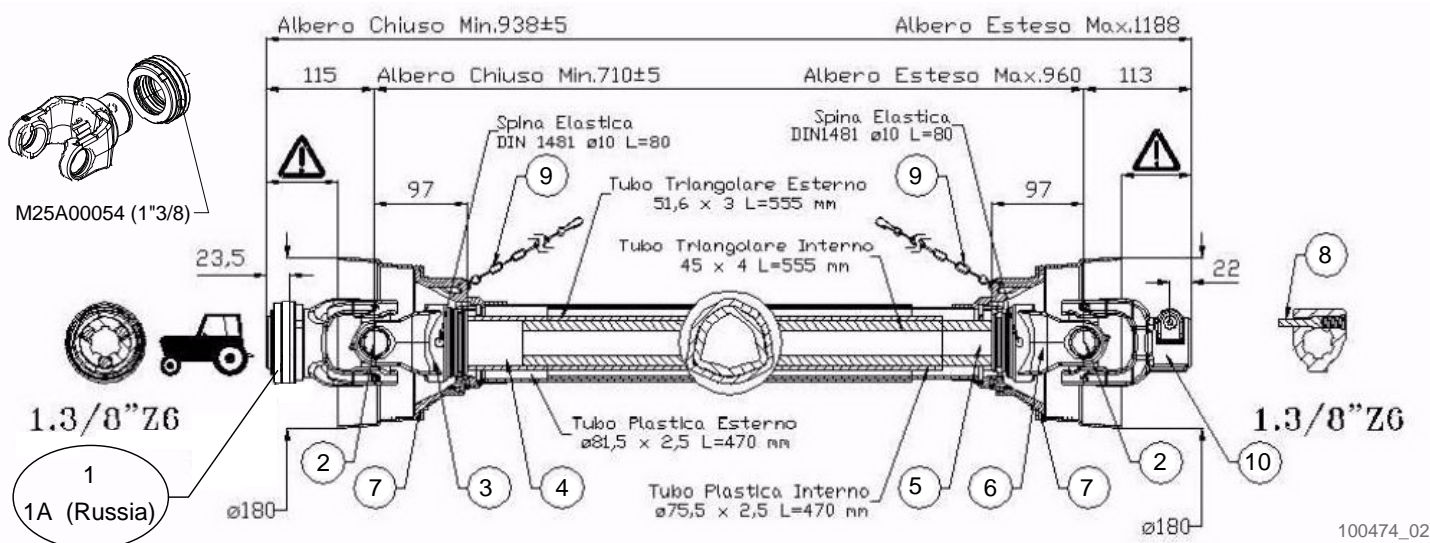
Gelenkwelle

Drawing Code: **100474_2**

Accessories:

Codice cardano
Code pto shaft
Code de arbre de transmission
Code gelenkwelle

M06950





Cardano M06950

PTO shaft

Arbre de transmission

Gelenkwelle

Drawing Code:

100474_2

Accessories:

N°	Code	Old.	Descrizione /Description
1	M72A00067	R50128	"FORCELLA RAPIDO COLLAR 1""3/8 Z=6 B05"
1A	M72A00073	R50138	FORCELLA 5 D8X32X38 (RUSSIA)
2	M71A00007	R50129	CROCIERA D.30.2X80 (B05)
3	M72A00068	R50130	FORCELLA EST TUBO TRIANG 51.6X3 B05
4	M73A00043	R50131	TUBO TRIANGOLARE EST. 51.6X3 B05
5	M73A00041	R50121	TUBO TRIANGOLARE INT. 45X4 B05-B06
6	M72A00069	R50132	FORCELLA INT TUBO TRIANG 45X4 B05
7	G10A00089	R50133	PROTEZIONE COMPL. CARDANO B05 L=710
8	MF0A00063	R50012	"PULSANTE COMPLETO 1""3/8"
9	MH0A00022	R50119	CATENELLA PROTEZ.CARDANO L=550
10	M72A00070	R50134	"FORCELLA 5 1"" 3/8 Z6 ATT.PULSANTE"
#	M70A00065	M06950	"CARDANO B05-071-1""3/8+1""3/8"
#	M25A00054		"COLLARE ATTACCO RAPIDO ACCIAIO 1"" 3/8"

GB	FR	D	E
FORK	MACHOIRE	GABEL	HORQUILLA
FORK	MACHOIRE	GABEL	HORQUILLA
CRUISE	CROISIÈRE	CRUISE	CRUISE
FORK	MACHOIRE	GABEL	HORQUILLA
TUBE	TUBE	ROHR	TUBO
TUBE	TUBE	ROHR	TUBO
FORK	MACHOIRE	GABEL	HORQUILLA
PROTECTION	PROTECTION	SCHUTZ	PROTECCIÓN
BUTTON	BOUTON	BUTTON	BOTÓN
CHAIN	CHAÎNE	KETTE	CADENA
FORK	MACHOIRE	GABEL	HORQUILLA
UNIVERSAL JOINT	CARDAN	GELLENKWELLE	CARDAN
METAL RING	COLLARE	METALLRING	COLLAR