

Skat

K2



ALPEGO s.p.a.

Sede Amministrativa:

Via Torri di Confine, 6 36053 GAMBELLARA (VICENZA) - ITALY

Sede Legale:

Via Giovanni e Giuseppe Cenzato, 9 36045 LONIGO (VICENZA) - ITALY

Capitale sociale €2.000.000 i.v.

Cod. Fisc. / Part. IVA IT02009840246

R.E.A. 199795/VI/1996

Reg. Imp.VI N°22374/VI/1996

N. Mecc. VI 011754

www.alpego.com

Tel +39 0444/64.61.00

Fax +39 0444/64.61.99

e-mail: info@alpego.com

Copyright © 2009 Alpego s.p.a. ®

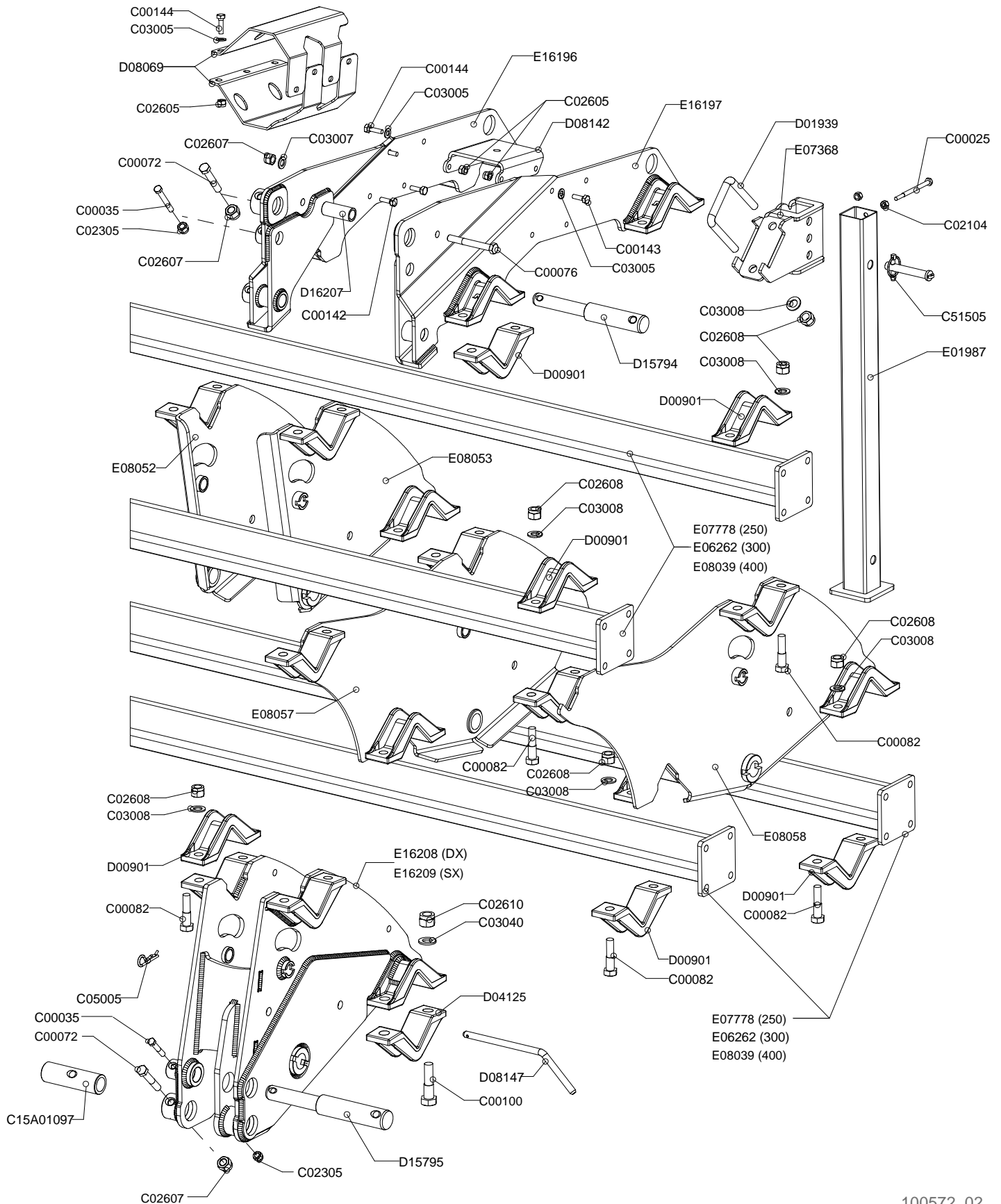
Tutti i diritti sono riservati. È vietata espressamente la ristampa o l'uso non autorizzato senza permesso scritto dalla Alpego s.p.a.

Tous droits réservés. Toute réimpression ou utilisation non autorisée sans la permission écrite de la Alpego s.p.a. est formellement interdite.

Alle Rechte vorbehalten. Nachdruck, Vervielfältigung und Verbreitung, auch auszugsweise, ist ohne schriftliche Genehmigung der Alpego s.p.a.

All rights reserved. Any reprinting or unauthorized use without the written permission of Alpego s.p.a. is expressly prohibited.

Todos los derechos reservados. Toda reproducción o uso no autorizado sin el consentimiento escrito de Alpego s.p.a. quedan expresamente prohibidos.



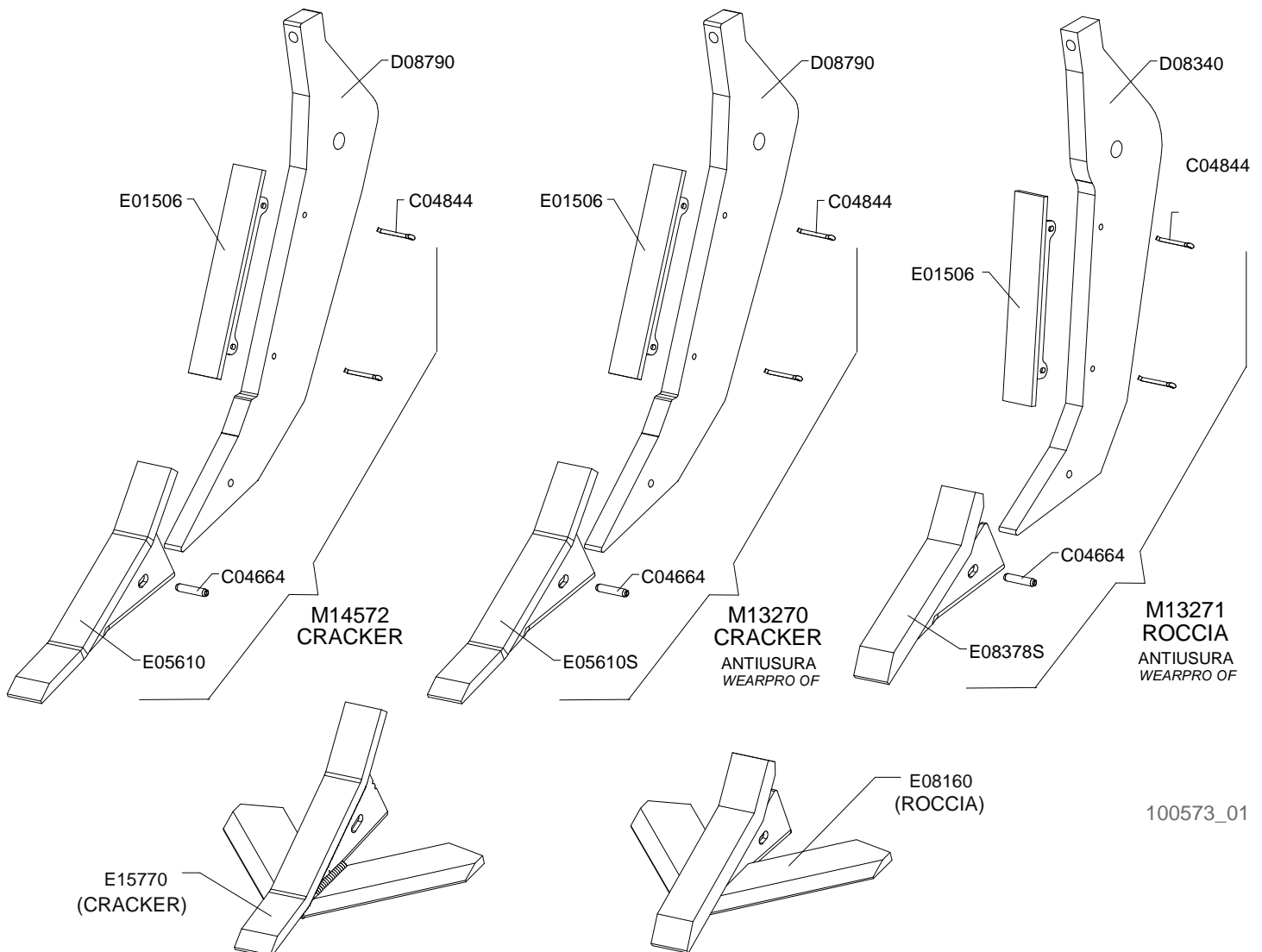
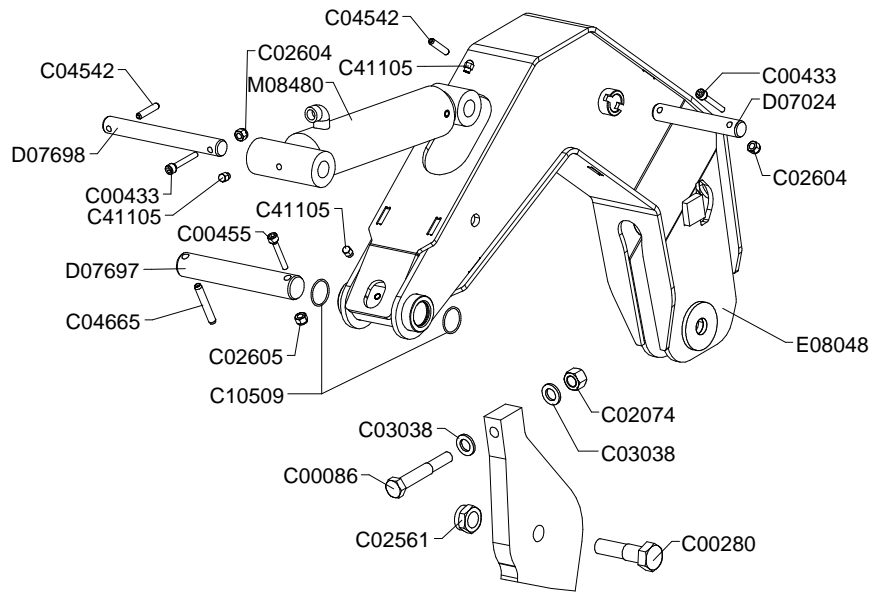


Telaio
Frame
Chassis
Rahmen

Drawing Code: **100572_2**

Accessories:

N°	Code	Old.	Descrizione / Description	GB	FR	D	E
#	M80A00022	C00025	VITE TE 88 PG FP M10X140 ZINC UNI 5737	SCREW	VIS	SCHRAUBE	TORNILLO
#	M80A00032	C00035	VITE TE 88 PG FP M12X70 ZINC UNI 5737	SCREW	VIS	SCHRAUBE	TORNILLO
#	M80A00065	C00072	VITE TE 88 PG FP M16x90 ZINC UNI 5737	SCREW	VIS	SCHRAUBE	TORNILLO
#	M80A00069	C00076	VITE TE 88 PG FP M16x130 ZINC UNI 5737	SCREW	VIS	SCHRAUBE	TORNILLO
#	M80A00075	C00082	VITE TE 88 PG FP M20X80 ZINC UNI 5737	SCREW	VIS	SCHRAUBE	TORNILLO
#	M80A00087	C00100	VITE TE 88 PG FP M24X90 ZINC UNI 5737	SCREW	VIS	SCHRAUBE	TORNILLO
#	M80A00129	C00142	VITE TE 88 PG FT M12X30 ZINC UNI 5739	SCREW	VIS	SCHRAUBE	TORNILLO
#	M80A00130	C00143	VITE TE 88 PG FT M12X35 ZINC UNI 5739	SCREW	VIS	SCHRAUBE	TORNILLO
#	M80A00131	C00144	VITE TE 88 PG FT M12X40 ZINC UNI 5739	SCREW	VIS	SCHRAUBE	TORNILLO
#	M85A00027	C02104	DADO NORMALE 8 PG M10 UNI 5588 ZINC	NUT	BOULONS	NUT	DADO
#	M85A00050	C02305	DADO METALBLOC M12 X 1.75	NUT	BOULONS	NUT	DADO
#	M85A00078	C02605	DADO AUTOBLOC ALTO 8 M12 H=14 UNI 7473	NUT	BOULONS	NUT	DADO
#	M85A00080	C02607	DADO AUTOBLOC ALTO 8 M16 H=18 UNI 7473	NUT	BOULONS	NUT	DADO
#	M85A00081	C02608	DADO AUTOBLOC ALTO 8 M20 H=22 UNI 7473	NUT	BOULONS	NUT	DADO
#	M85A00083	C02610	DADO AUTOBLOC ALTO 10 M24 H=28 UNI 7473	NUT	BOULONS	NUT	DADO
#	M90A00008	C03005	RONDELLA PIANA D.13 DIN125-A ZINC.	WASHER	RONDELLE	UNTERLEGSCHIEBE	ARANDELLA
#	M90A00010	C03007	RONDELLA PIANA D.17 DIN125-A ZINC.	WASHER	RONDELLE	UNTERLEGSCHIEBE	ARANDELLA
#	M90A00011	C03008	RONDELLA PIANA D.21 DIN125-A ZINC.	WASHER	RONDELLE	UNTERLEGSCHIEBE	ARANDELLA
#	M90A00023	C03040	ROND. PIANA D.25 DIN 6916 ALTA RES. ZINCATA DEIDROGENA1	WASHER	RONDELLE	UNTERLEGSCHIEBE	ARANDELLA
#	MB0A00088	C05005	SPINA A MOLLA D.5	SOCKET	GOUPILLE	STECKER	PASADOR
#	C15A01097		BUSSOLA D.37X50 L=120 FORO D.13 ATT.TRATT. K2	BUSHING	ENTRETOISE	BUCHSE	BRUJULA
#	M15A00004	C51505	PERNO 3P. D.19 CON CAT.	PIN	PIVOT	STIFT	PIN
#	B65A00014	D00901	MORSETTO PER TUBO 100X100 D.22***	TERMINAL	TERMINAL	TERMINAL	TERMINALES
#	MD5A00005	D01939	CAVALLOTTO QUADRO M20X100X145	PIN	CAVALLIER	STIFT	CAVALLOTTI
#	B65A00022	D04125	MORSETTO PER TUBO 100X100 D.26 ***	TERMINAL	TERMINAL	TERMINAL	TERMINALES
#	C10A02080	D08069	PIEG. SUPP. ACCUMULATORE -170	BENT	PLIE	GEBOGEN	PLEGADO
#	C10A02102	D08142	PIEG. COLLEGAMENTO 3? PUNTO K2 sp8mm	BENT	PLIE	GEBOGEN	PLEGADO
#	M15A00096	D08147	PERNO D.16X215 UTILE PIEGATO ***	PIN	PIVOT	STIFT	PIN
#	M15A00208	D15794	PERNO D.45/ 31.75 X125 UT.FOROD.13/17 BON+ZINC***	PIN	PIVOT	STIFT	PIN
#	M15A00209	D15795	PERNO D.50X167 UT.FOROD.17 BON+ZINC***	PIN	PIVOT	STIFT	PIN
#	C00A00919	D16207	DIST. D.33,7 D.23,7 L.82 K2 ZINC.	SPACER	ENTRETOISE	ABSTANDSTUECK	ESPACIADORES
#	C20A00344	E01987	GAMBA KD-KE-SKAT	LEG	BEQUILLE	BEIN	PATA
#	C20A01145	E06262	TUBO INF KF-7/3000 100X100X2972 STRUT***	TUBE	TUBE	ROHR	TUBO
#	C20A01321	E07368	SUPPORTO GAMBA 2?VERS. KD-KE-KF	SUPPORT	SUPPORT	STUTZE	APOYO
#	C20A01380	E07778	TUBO INF. KF5-250 100X100X2416 STRUTT***	TUBE	TUBE	ROHR	TUBO
#	C20A01422	E08039	TUBO INF K2-9/400 100X100X3906 STRUTT***	TUBE	TUBE	ROHR	TUBO
#	C20A01424	E08052	FIANCATA CORTA DESTRA K2	SIDE	LONG	NEBEN	JUNTO
#	C20A01425	E08053	FIANCATA CORTA SINISTRA K2	SIDE	LONG	NEBEN	JUNTO
#	C20A01426	E08057	FIANCATA LUNGA DESTRA K2	SIDE	LONG	NEBEN	JUNTO
#	C20A01427	E08058	FIANCATA LUNGA SINISTRA K2	SIDE	LONG	NEBEN	JUNTO
#	C20A02874	E16196	ATTACCO 3ZO PUNTO DESTRO K2 CAT.4N	CONNECTION	ATTELAGE	ANSCHLUSS	ATAQUE
#	C20A02875	E16197	ATTACCO 3ZO PUNTO SINISTRO K2 CAT.4N	CONNECTION	ATTELAGE	ANSCHLUSS	ATAQUE
#	C20A02876	E16208	ATTACCO TRATTORE DESTRO K2 CAT.4N	CONNECTION	ATTELAGE	ANSCHLUSS	ATAQUE
#	C20A02877	E16209	ATTACCO TRATTORE SINISTRO K2 CAT.4N	CONNECTION	ATTELAGE	ANSCHLUSS	ATAQUE





Ancora

Shank

Ancre

Anker

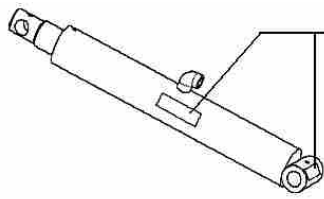
Drawing Code:

100573_1

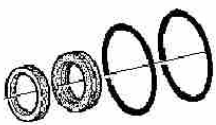
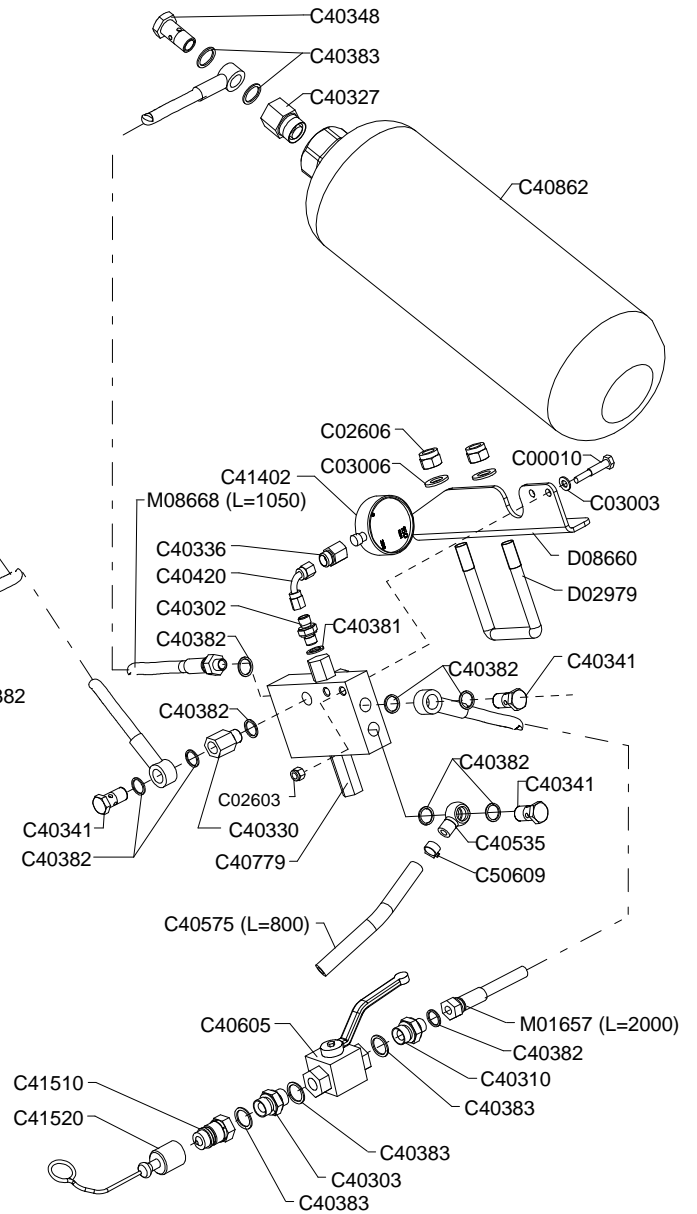
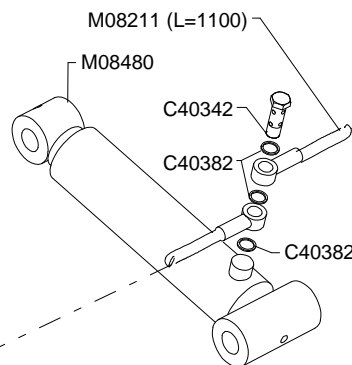
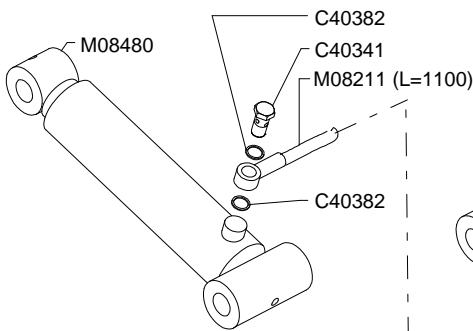
Accessories:

N°	Code	Old.	Descrizione / Description
#	M80A00079	C00086	VITE TE 88 PG FP M20X130 UNI 5737
#	M80A00212	C00280	VITE TE 88 PF FP M27X2X100 UNI 5738
#	M80A00246	C00433	VITE TCEI PG M10x60 ZINC UNI 5931
#	M80A00255	C00455	VITE TCEI PG M12X90 ZINC UNI 5931
#	M85A00019	C02074	DADO ALTO 10 PG M20 5587
#	M85A00069	C02561	DADO AUTOBLOC BASSO 8 PF M27X2 H=22.5 UNI 7474
#	M85A00077	C02604	DADO AUTOBLOC ALTO 8 M10 H=11.5 UNI 7473
#	M85A00078	C02605	DADO AUTOBLOC ALTO 8 M12 H=14 UNI 7473
#	M90A00021	C03038	RONDELLA PIANA D.21 DIN 6916 ALTA RESIS.
#	MB0A00030	C04542	"SPINA ELASTICA D.10X50 TRATTATA "" GEOMET ""
#	MB0A00075	C04664	SPINA SPIROL D.12X60
#	MB0A00076	C04665	"SPINA SPIROL D.12X80 TRATTATA "" GEOMET ""
#	MB5A00022	C04844	COPPIGLIA D.6,3X60
#	H05A00012	C10509	ANELLO OR 3156(129) D.INT.39.34x2,62
#	MJ5A00005	C41105	INGRASSATORE M10X1 DIRITTO
#	M15A00079	D07024	PERNO D.28X139 UT. 2 FORI D.10 ZINC
#	M15A00090	D07697	PERNO D.40X206 UT. 2 FORI D.12 TEMPR.IND+ZINC
#	M15A00091	D07698	PERNO D.28X206 UT. 2 FORI D.10 BON+ZINC
#	C15A00491	D08340	ANCORA SKAT K2 TIPO ROCCIA
#	C15A00510	D08790	ANCORA SKAT K2 TIPO CRAKER (D=21)***
#	C20A00209	E01506	PROTEZIONE ANCORA KFR-K2
#	MK0A00165	E05610	VOMERE CRAKER RAPIDO PER KFR
#	MK0A00167	E05610S	VOMERE CRAKER RAPIDO PER KFR ANTIUSURA
#	C20A01423	E08048	SUPPORTO SALDATO ANCORA K2
#	MK0A00172	E08160	VOMERE DEK ROCCIA K2
#	MK0A00176	E08378S	VOMERE ROCCIA RAPIDO SKAT K2 + ANTIUSURA
#	MK0A00273	E15770	VOMERE DEK CRAKER KFR / K2
#	H80A00033	M08480	CILINDRO TUFFANTE D.65 C.185 (K2) 2VERS
#	M79A00189	M13270	"ANCORA K2 ANTIUSURA TIPO ""CRACKER""
#	M79A00190	M13271	"ANCORA K2 ANTIUSURA TIPO ""ROCCIA""
#	M79A00220	M14572	"ANCORA K2 TIPO ""CRACKER""

GB	FR	D	E
SCREW	VIS	SCHRAUBE	TORNILLO
SCREW	VIS	SCHRAUBE	TORNILLO
SCREW	VIS	SCHRAUBE	TORNILLO
SCREW	VIS	SCHRAUBE	TORNILLO
NUT	BOULONS	NUT	DADO
NUT	BOULONS	NUT	DADO
NUT	BOULONS	NUT	DADO
NUT	BOULONS	NUT	DADO
WASHER	RONDELLE	UNTERLEGSCHIEBE	ARANDELLA
SOCKET	GOUPILLE	STECKER	PASADOR
SOCKET	GOUPILLE	STECKER	PASADOR
SOCKET	GOUPILLE	STECKER	PASADOR
COTTER PIN	GOUPILLE	SPLINT	COPPIGLIA
RING	AMORTISSEUR	RING	ANILLO
GREASE NIPPLE	GRAISSOR	FETTBUECHSE	ENGRASADOR
PIN	PIVOT	STIFT	PIN
PIN	PIVOT	STIFT	PIN
PIN	PIVOT	STIFT	PIN
TYNE	DENT	SCHAR	ANCLA
TYNE	DENT	SCHAR	ANCLA
PROTECTION	PROTECTION	SCHUTZ	PROTECCIÓN
PLOUGHSHARE	SOC	PFLUGSCHAR	REJA
PLOUGHSHARE	SOC	PFLUGSCHAR	REJA
SUPPORT	SUPPORT	STUTZE	APOYO
PLOUGHSHARE	SOC	PFLUGSCHAR	REJA
PLOUGHSHARE	SOC	PFLUGSCHAR	REJA
PLOUGHSHARE	SOC	PFLUGSCHAR	REJA
CYLINDER	CYLINDRE	ZYLINDER	CILÍNDRICA
TYNE	DENT	SCHAR	ANCLA
TYNE	DENT	SCHAR	ANCLA
TYNE	DENT	SCHAR	ANCLA



M08480	+ 190	CF3074
	+M.G.M	

100570_05



Impianto idraulico

Hydraulic system

Circuit hydraulique

Hydraulik anlage

Drawing Code:

100570_5

Accessories:

N°	Code	Old.	Descrizione / Description	GB	FR	D	E
#	M80A00007	C00010	VITE TE 88 PG FP M8X50 ZINC UNI 5737	SCREW	VIS	SCHRAUBE	TORNILLO
#	M85A00075	C02603	DADO AUTOBLOC ALTO 8 M8 H=10.6 UNI 7473	NUT	BOULONS	NUT	DADO
#	M85A00079	C02606	DADO AUTOBLOC ALTO 8 M14 H=16 UNI 7473	NUT	BOULONS	NUT	DADO
#	M90A00005	C03003	RONDELLA PIANA D.8,4 DIN125-A ZINC.	WASHER	RONDELLE	UNTERLEGSCHIEBE	ARANDELLA
#	M90A00009	C03006	RONDELLA PIANA D.15 DIN125-A ZINC.	WASHER	RONDELLE	UNTERLEGSCHIEBE	ARANDELLA
#	H35A00002	C40302	NIPLES 1/4 1/4	NIPLES	NIPLES	NIPLES	NIPLES
#	H35A00003	C40303	NIPLES 3/8 3/8	NIPLES	NIPLES	NIPLES	NIPLES
#	H35A00010	C40310	NIPLES RIDUZ.1/2 3/8	NIPLES	NIPLES	NIPLES	NIPLES
#	H35A00027	C40327	"RIDUZIONE M 1"1/4 F1/2 LEGGERA L=32"	REDUCTION	REDUCTION	UNTERSETZUNG	REDUCCIÓN
#	H35A00029	C40330	PROLUNGA MF 3/8 3/8 X H=25	EXTENSION	EXTENSION	VERLAENGERUNG	EXTENSIÓN
#	H35A00035	C40336	NIPLES DI CONGIUNZIONE MF 1/4 GIR. CON OR	NIPLES	NIPLES	NIPLES	NIPLES
#	H40A00002	C40341	VITE FORATA 3/8X31	SCREW	VIS	SCHRAUBE	TORNILLO
#	H40A00003	C40342	VITE FORATA DOPPIA 3/8X49	SCREW	VIS	SCHRAUBE	TORNILLO
#	H40A00008	C40348	VITE FORATA 1/2X40	SCREW	VIS	SCHRAUBE	TORNILLO
#	H35A00041	C40381	RONDELLA RAME 1/4 D.13.5	WASHER	RONDELLE	UNTERLEGSCHIEBE	ARANDELLA
#	H35A00042	C40382	RONDELLA RAME 3/8 D.17	WASHER	RONDELLE	UNTERLEGSCHIEBE	ARANDELLA
#	H35A00043	C40383	RONDELLA RAME 1/2 D.21	WASHER	RONDELLE	UNTERLEGSCHIEBE	ARANDELLA
#	H35A00074	C40420	CURVA 90°FF 1/4 GIRELLO	CURVE	COURBE	BOGEN	CURVO
#	H35A00104	C40535	"OCCHIO PER BASSA PRESSIONE 3/8""	EYE	ŒIL	AUGE	OJOS
#	P00A00001	C40575	TUBO PVC D.INT.10 TRASPARENTE -20°C+50°C	TUBE	TUBE	ROHR	TUBO
#	H55A00002	C40605	RUBINETTO A SFERA 3/8 400 BAR	TAP	ROBINET	HAHN	GRIFOS
#	H70A00064	C40779	VALVOLA SINGOLA MAX PRESSIONE SKAT	VALVE	SOUPAPE	VENTIL	VALVULA
#	H85A00005	C40862	ACCUMULATORE AZOTO 6.5 LT.	ACCUMULATOR	ACCUMULATEUR	AKKUMULATOR	ACUMULADORES
#	HA5A00002	C41402	"MANOMETRO GLIC. SCALA 0-250 P.R. 1/4"" GAS +PROLUNGA"	GAUGE	JAUGE	DRUCKANZEIGER	MANOMETRO
#	H50A00005	C41510	INNESTO RAPIDO MASCHIO ATT.1/2 F NV	COUPLING	ACCOUPLMENT	KUPPLUNG	COMPROMISO
#	G10A00002	C41520	TAPPO PROT.INNESTO RAPIDO 1/2 MASCHIO BLU	PLUG	BOUCHON	STOEPSSEL	ENCHUFE
#	MH5A00019	C50609	FASCETTA STRINGITUBO D 10-16X9 ZINC.	CLIP	RIVELSAN	BAND	BANDAS
#	SCOA00079	CF3074	SERIE GUARNIZIONI CIL. M08480 D.65 D.65	SERIES	SÉRIE	SERIE	SERIE
#	MD5A00010	D02979	CAVALLOTTO QUADRO M14 T100X100X135	PIN	CAVALLIER	STIFT	CAVALLOTTI
#	C10A02236	D08660	STAFFA SUPPORTO VALVOLA SKAT	BRACKET	SUPPORT	BUEGEL	SOPORTE
#	H75A00002	M01657	"TUBO IDR OH3/8""-R1AT 1/4""X2000-FD3/8""	TUBE	TUBE	ROHR	TUBO
#	H75A00066	M08211	"TUBO IDR OH3/8""-R2AT 3/8""X1100-OH3/8""	TUBE	TUBE	ROHR	TUBO
#	H80A00033	M08480	CILINDRO TUFFANTE D.65 C.185 (K2) 2VERS	CYLINDER	CYLINDRE	ZYLINDER	CILÍNDRICA
#	H75A00076	M08668	"TUBO IDR OH1/2""-R2AT 1/2""X1050-MD3/8""	TUBE	TUBE	ROHR	TUBO

Componenti coppia ruote posteriori KE-KF

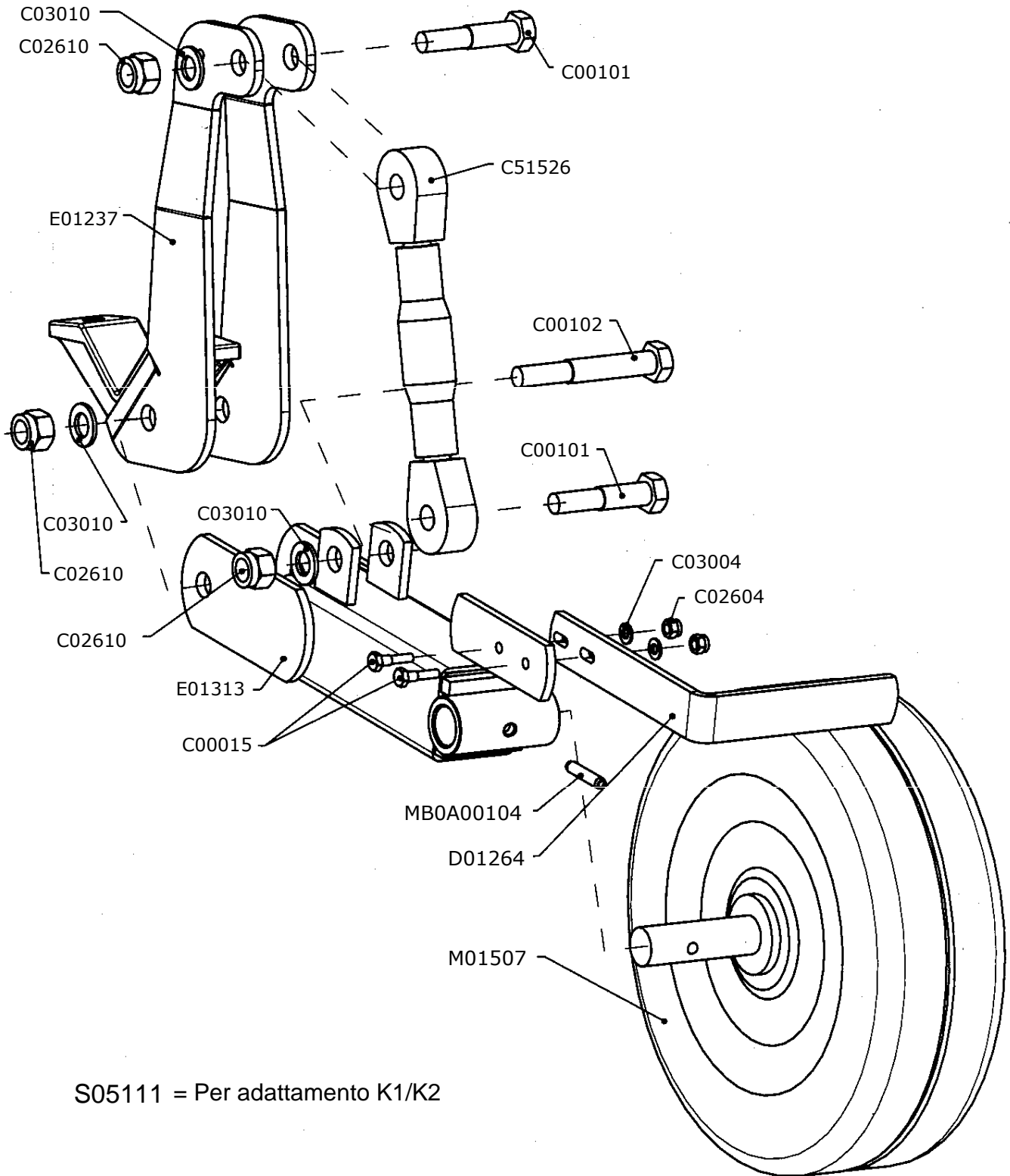
Components posterior couple of wheels KE-KF

Elements couple roues posterieures KE-KF

Bestandteile kupeln hintere Rader KE-KF

Drawing Code: **100418_0_f1**

Accessories: S75A00011



S05111 = Per adattamento K1/K2

100418_00_f1



Componenti coppia ruote posteriori KE-KF

Components posterior couple of wheels KE-KF

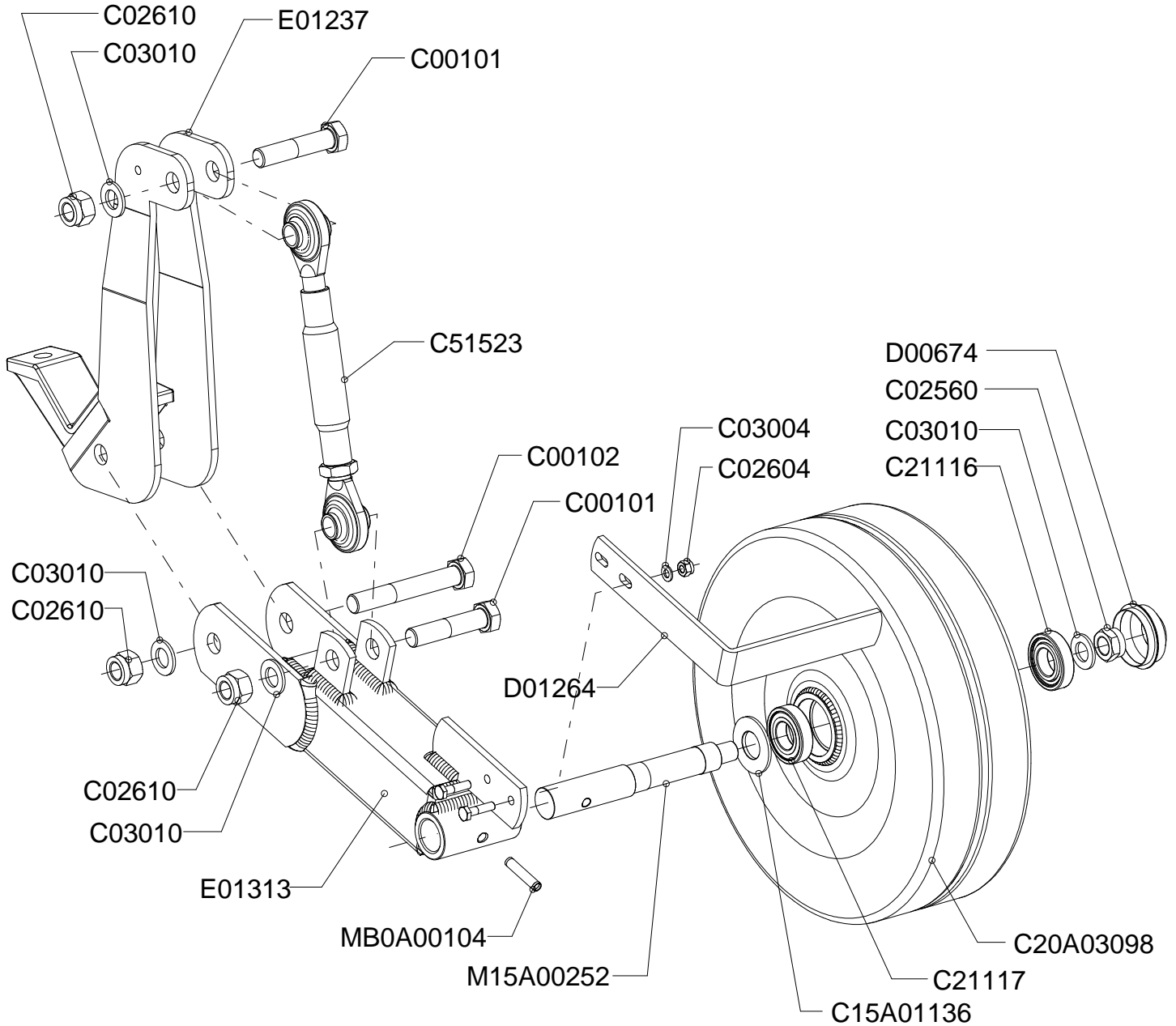
Elements couple roues posterieures KE-KF

Bestandteile kupeln hintere Rader KE-KF

Drawing Code: **100418_0_f1**

Accessories: S75A00011

N°	Code	Old.	Descrizione / Description	GB	FR	D	E
#	M80A00012	C00015	VITE TE 88 PG FP M10X40 ZINC UNI 5737	SCREW	VIS	SCHRAUBE	TORNILLO
#	M80A00088	C00101	VITE TE 88 PG FP M24x110 ZINC UNI 5737	SCREW	VIS	SCHRAUBE	TORNILLO
#	M80A00089	C00102	VITE TE 88 PG FP M24X160 ZINC UNI 5737	SCREW	VIS	SCHRAUBE	TORNILLO
#	M85A00077	C02604	DADO AUTOBLOC ALTO 8 M10 H=11.5 UNI 7473	NUT	BOULONS	NUT	DADO
#	M85A00083	C02610	DADO AUTOBLOC ALTO 10 M24 H=28 UNI 7473	NUT	BOULONS	NUT	DADO
#	M90A00007	C03004	RONDELLA PIANA D.10,5 DIN125-A ZINC.	WASHER	RONDELLE	UNTERLEGSCHLEIBE	ARANDELLA
#	M90A00013	C03010	RONDELLA PIANA D.25 DIN125-A ZINC.	WASHER	RONDELLE	UNTERLEGSCHLEIBE	ARANDELLA
#	ME0A00008	C51526	TIRANTE D.25,4 M27X3 L=340/460	TIE ROD	TIRANT	ZUGSTANGE	TIRANTE
#	C10A01106	D01264	PULIRUOTA	WHEEL SCRAPER	DECROTTEUR ROUE	RAADABSTREIFER	POLIRUEDA
#	C20A00142	E01237	SUPPORTO MANOVELLA E RUOTE KE	SUPPORT	SUPPORT	STUTZE	APOYO
#	C20A00158	E01313	BRACCIO PORTA RUOTA KE	ARM	BRAS	ARM	BRAZO
#	M79A00012	M01507	RUOTA COMPLETA CON MOZZO KE	WHEEL	ROUE	RAD	RUEDA
#	MB0A00104		"SPINA SPIROL D.12X60 TRATTATA "" GEOMET ""	SOCKET	GOUPILLE	STECKER	PASADOR
#	S45A00040	S05111	KIT ADATTAMENTO S00003B SU K1-K2	KIT	KIT	KIT	KIT



100418_01_f1



Componenti coppia ruote posteriori KE-KF 2014

Components posterior couple of wheels KE-KF 2014

Elements couple roues posterieures KE-KF 2014

Bestandteile kupeln hintere Rader KE-KF 2014

Drawing Code: **100418_1_f1**

Accessories: S75A00011

N°	Code	Old.	Descrizione / Description	GB	FR	D	E
#	M80A00088	C00101	VITE TE 88 PG FP M24x110 ZINC UNI 5737	SCREW	VIS	SCHRAUBE	TORNILLO
#	M80A00089	C00102	VITE TE 88 PG FP M24X160 ZINC UNI 5737	SCREW	VIS	SCHRAUBE	TORNILLO
#	M85A00068	C02560	DADO AUTOBLOC BASSO 8 PF M24X2 H=21 UNI 7474	NUT	BOULONS	NUT	DADO
#	M85A00077	C02604	DADO AUTOBLOC ALTO 8 M10 H=11.5 UNI 7473	NUT	BOULONS	NUT	DADO
#	M85A00083	C02610	DADO AUTOBLOC ALTO 10 M24 H=28 UNI 7473	NUT	BOULONS	NUT	DADO
#	M90A00007	C03004	RONDELLA PIANA D.10,5 DIN125-A ZINC.	WASHER	RONDELLE	UNTERLEGSCHLEIBE	ARANDELLA
#	M90A00013	C03010	RONDELLA PIANA D.25 DIN125-A ZINC.	WASHER	RONDELLE	UNTERLEGSCHLEIBE	ARANDELLA
#	C15A01136		RONDELLA PERNO RUOTA KE-KF	WASHER	RONDELLE	UNTERLEGSCHLEIBE	ARANDELLA
#	C20A03098		RUOTA FERRO Ø500X150 CON MOZZO Ø72-22/31 (SFERA)	WHEEL	ROUE	RAD	RUEDA
#	M20A00024	C21116	CUSCINETTO 6207 35x72x17	BEARING	ROULEMENT	KUGELLAGER	COJINETE
#	M20A00025	C21117	CUSCINETTO 6207 ZC3 35X72X17	BEARING	ROULEMENT	KUGELLAGER	COJINETE
#	ME0A00006	C51523	TIRANTE D.25,4 M27X3 L=460/680	TIE ROD	TIRANT	ZUGSTANGE	TIRANTE
#	C10A01076	D00674	CAPPELLOTTO MOZZO RUOTA D.72 (KE)	PLASTIC GUARD	BACHE	KUNSTSTOFF-DECKEL	SOMBRERETE
#	C10A01106	D01264	PULIRUOTA	WHEEL SCRAPER	DECROTTEUR ROUE	RAADABSTREIFER	POLIRUEDA
#	C20A00142	E01237	SUPPORTO MANOVELLA E RUOTE KE	SUPPORT	SUPPORT	STUTZE	APOYO
#	C20A00158	E01313	BRACCIO PORTA RUOTA KE	ARM	BRAS	ARM	BRAZO
#	M15A00252		PERNO RUOTA KE-KF D.40	PIN	PIVOT	STIFT	PIN
#	MB0A00104		"SPINA SPIROL D.12X60 TRATTATA "" GEOMET ""	SOCKET	GOUPILLE	STECKER	PASADOR

Montaggio coppia ruote posteriori KE-KF

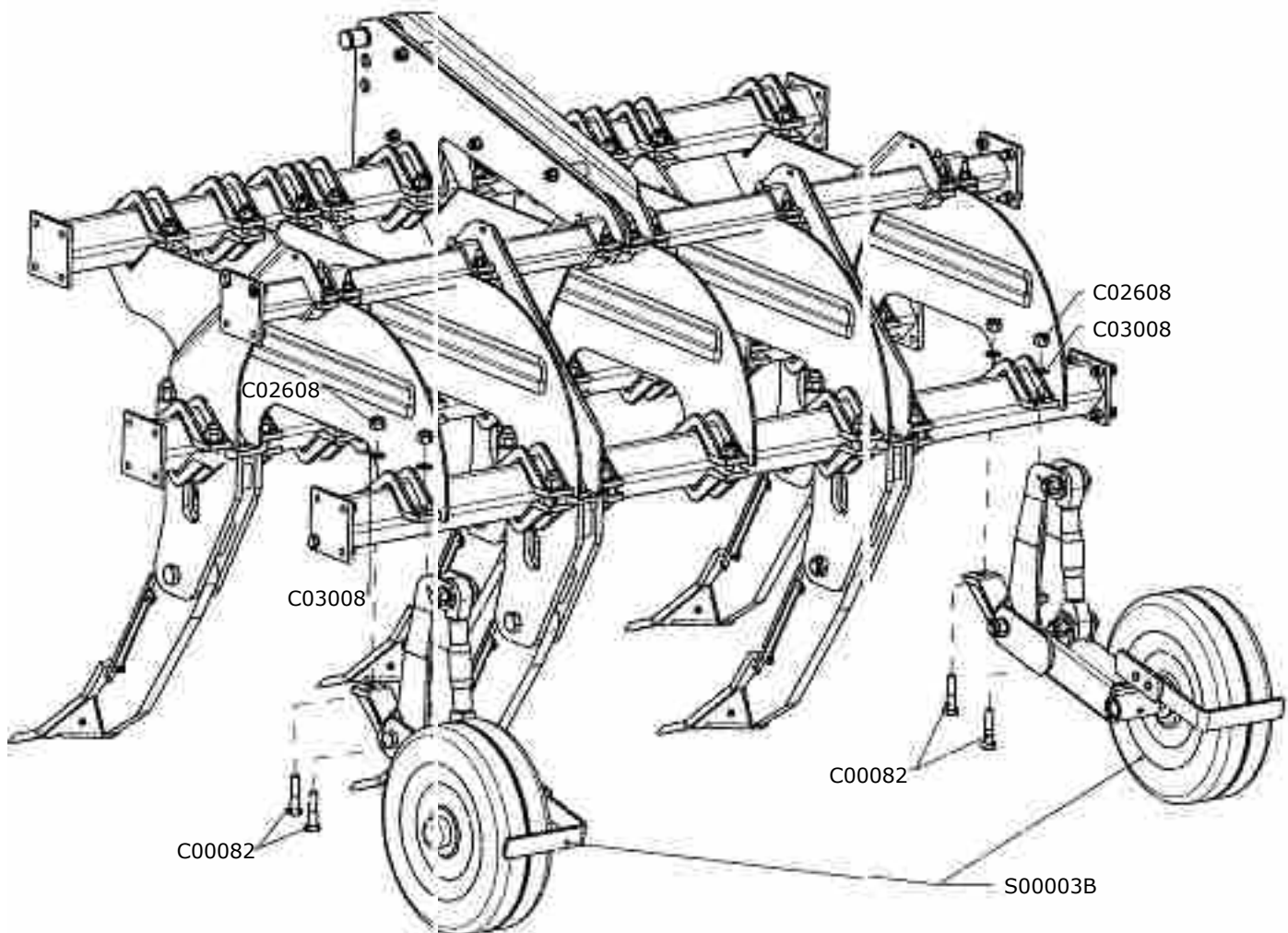
Assembly posterior couple of wheels KE-KF

Montage couple roues posterieures KE-KF

Versammlung kupeln hintere Rader KE-KF

Drawing Code: **100418_0_f2**

Accessories: S75A00011



100418_00_f2



Montaggio coppia ruote posteriori KE-KF

Assembly posterior couple of wheels KE-KF

Montage couple roues posterieures KE-KF

Versammlung kupeln hintere Rader KE-KF

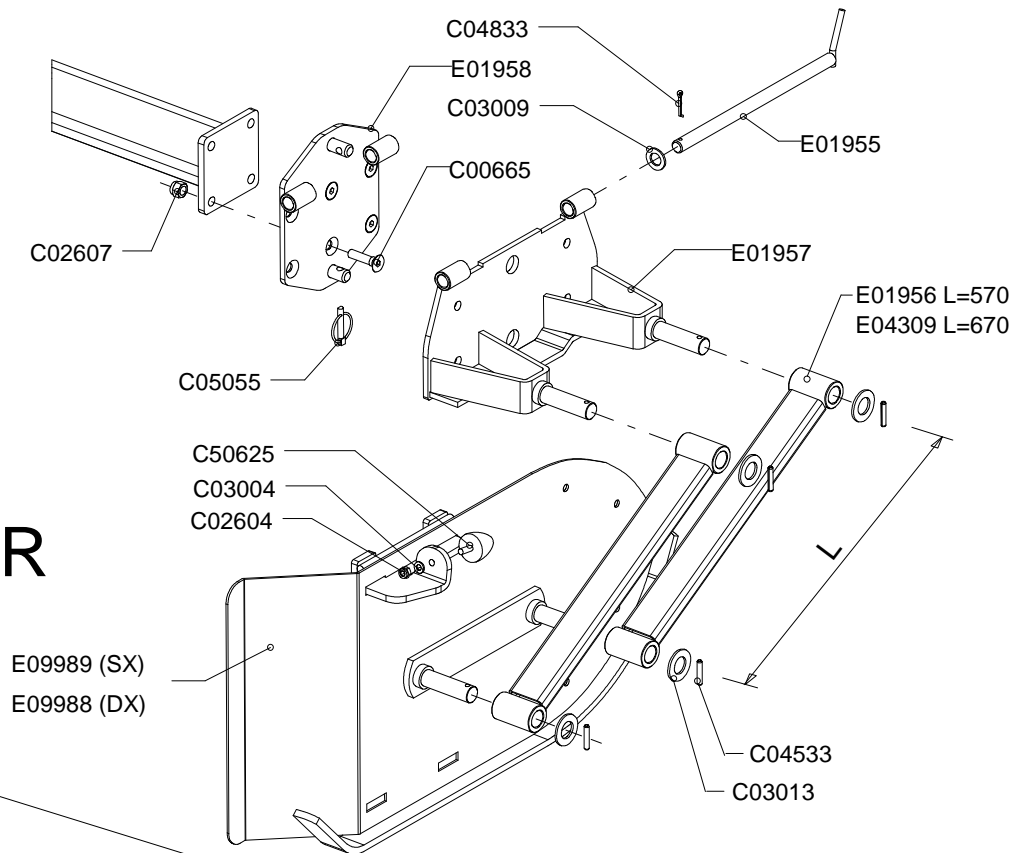
Drawing Code: **100418_0_f2**

Accessories: S75A00011

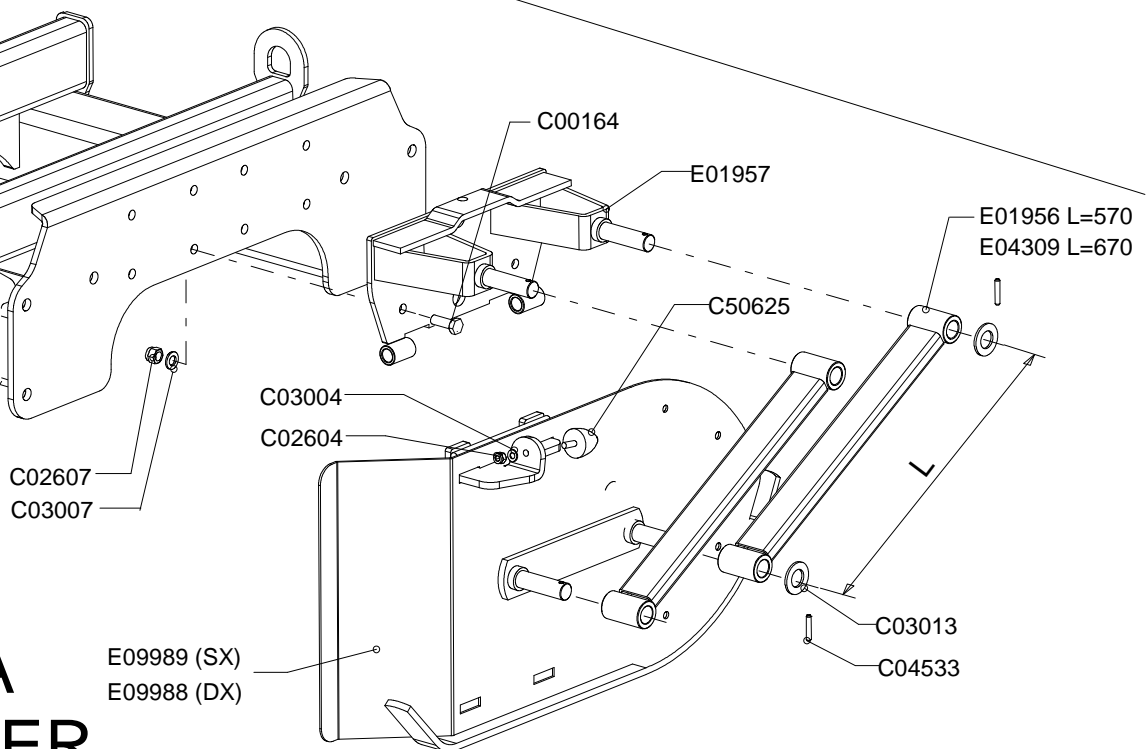
N°	Code	Old.	Descrizione / Description
#	M80A00075	C00082	VITE TE 88 PG FP M20X80 ZINC UNI 5737
#	M85A00081	C02608	DADO AUTOBLOC ALTO 8 M20 H=22 UNI 7473
#	M90A00011	C03008	RONDELLA PIANA D.21 DIN125-A ZINC.
#	S75A00011	S00003B	COPPIA RUOTE POSTERIORI KE-KF

GB	FR	D	E
SCREW	VIS	SCHRAUBE	TORNILLO
NUT	BOULONS	NUT	DADO
WASHER	RONDELLE	UNTERLEGSCHIEBE	ARANDELLA
PAIR	PAIRE	PAAR	PAREJA/PAR

CRAKER SKAT



MEGA CRAKER



100066_03



Kit contenimento zolle

Side plate kit

Kit de maintien des mottes

Satz Einschränkung Erdschollen

Drawing Code:

100066_3

Accessories:

S85A00003

N°	Code	Old.	Descrizione / Description	GB	FR	D	E
#	M80A00150	C00164	VITE TE 88 PG FT M16X45 ZINC UNI 5739	SCREW	VIS	SCHRAUBE	TORNILLO
#	M80A00309	C00665	VITE TSPEI 10.9 PG M16X60 ZINC UNI 5933	SCREW	VIS	SCHRAUBE	TORNILLO
#	M85A00077	C02604	DADO AUTOBLOC ALTO 8 M10 H=11.5 UNI 7473	NUT	BOULONS	NUT	DADO
#	M85A00080	C02607	DADO AUTOBLOC ALTO 8 M16 H=18 UNI 7473	NUT	BOULONS	NUT	DADO
#	M90A00007	C03004	RONDELLA PIANA D.10.5 DIN125-A ZINC.	WASHER	RONDELLE	UNTERLEGSCHLEIBE	ARANDELLA
#	M90A00010	C03007	RONDELLA PIANA D.17 DIN125-A ZINC.	WASHER	RONDELLE	UNTERLEGSCHLEIBE	ARANDELLA
#	M90A00012	C03009	RONDELLA PIANA D.23 DIN125-A ZINC	WASHER	RONDELLE	UNTERLEGSCHLEIBE	ARANDELLA
#	M90A00016	C03013	RONDELLA PIANA D.31 DIN 125-A ZINC.	WASHER	RONDELLE	UNTERLEGSCHLEIBE	ARANDELLA
#	MB0A00022	C04533	SPINA ELASTICA D.8X45	SOCKET	GOUPILLE	STECKER	PASADOR
#	MB5A00016	C04833	COPPIGLIA D.5X40	COTTER PIN	GOUPILLE	SPLINT	COPPIGLIA
#	MB0A00096	C05055	SPINA A SCATTO D.10 CON TIRANTE IN GOMMA	SOCKET	GOUPILLE	STECKER	PASADOR
#	MG5A00007	C50625	ANTIVIBRANTE A PARABOLA D.50X50 M10	VIBRATION-PROOF	ANTI-VIBRATION	SCHWINGUNGSFREIE-	Soportes
#	C20A00328	E01955	PERNO D.22x407 UT.FORO D.6 SALD zinc***	PIN	PIVOT	STIFT	PIN
#	C20A00329	E01956	BRACCIO MOBILE CONT.ZOLLE***	ARM	BRAS	ARM	BRAZO
#	C20A00330	E01957	PIASTRA ESTERNA CON PERNI CONT.ZOLLE***	PLATE	PLAQUE	PLATTE	PLACA
#	C20A00331	E01958	PIASTRA INTERNA CONT.ZOLLE***	PLATE	PLAQUE	PLATTE	PLACA
#	C20A00807	E04309	BRACCIO CONTENIMENTO ZOLLE KF+100 L=670	ARM	BRAS	ARM	BRAZO
#	C20A01706	E09988	FIANCATA DESTRA CONT. ZOLLE 2°vers	SIDE	LONG	NEBEN	JUNTO
#	C20A01707	E09989	FIANCATA SINISTRA CONT. ZOLLE 2°vers	SIDE	LONG	NEBEN	JUNTO

Coppia rulli franter idraulici H20

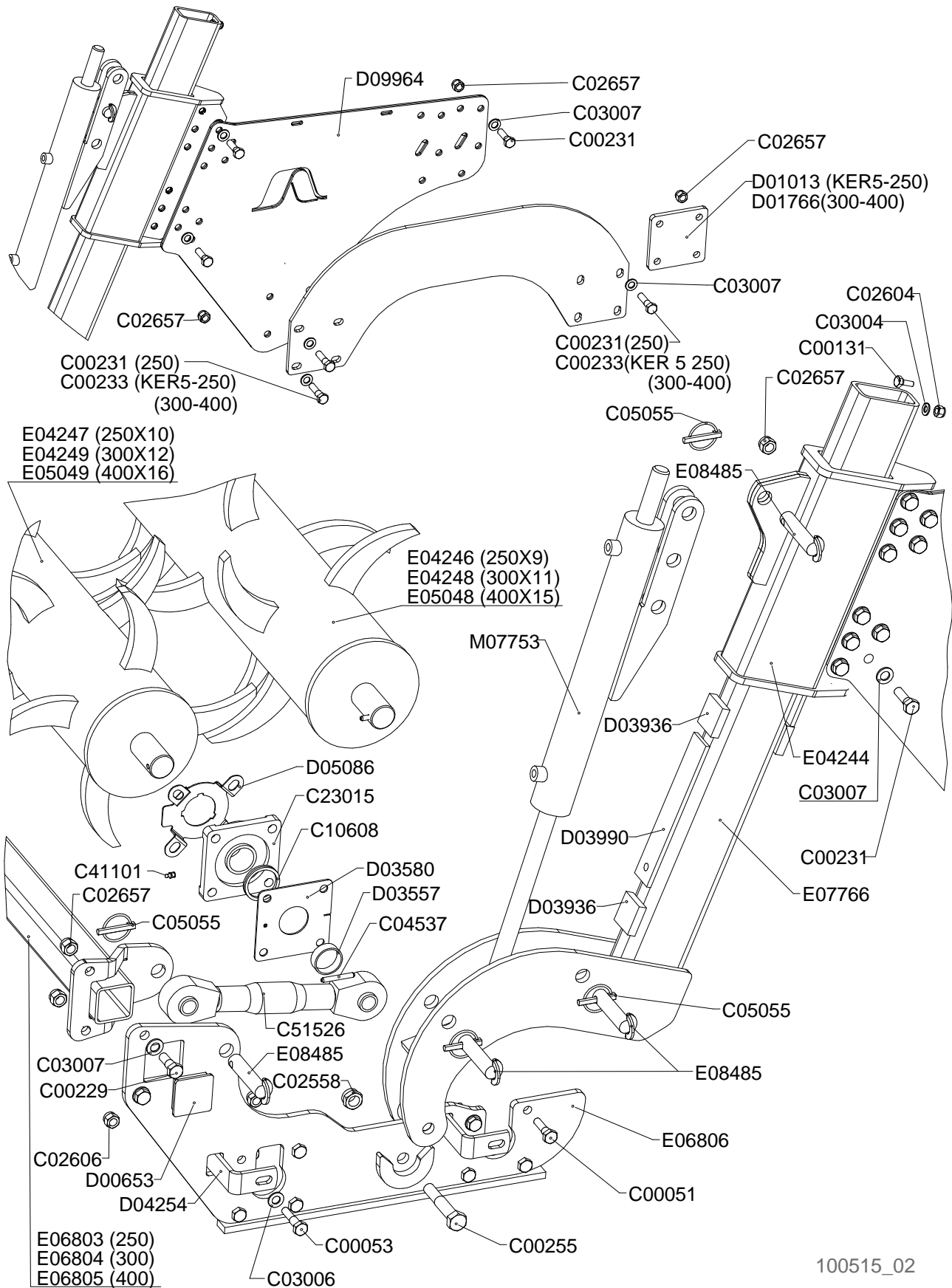
Franter hidraulic roller H20

Rouleau franter hydrauliques H20

Hydraulik franter walze H20

Drawing Code: **100515_2**

Accessories: S30A00013 - S30A00014 - S30A00015



100515_02



Coppia rulli franter idraulici H20

Franter hidraulic roller H20

Rouleau franter hydrauliques H20

Hydraulik franter walze H20

Drawing Code:

100515_2

Accessories:

S30A00013 - S30A00014 - S30A00015

N°	Code	Old.	Descrizione / Description	GB	FR	D	E
#	M80A00044	C00051	VITE TE 88 PG FP M14X50 ZINC UNI 5737	SCREW	VIS	SCHRAUBE	TORNILLO
#	M80A00046	C00053	VITE TE 88 PG FP M14X60 ZINC UNI 5737	SCREW	VIS	SCHRAUBE	TORNILLO
#	M80A00118	C00131	VITE TE 88 PG FT M10X25 ZINC UNI 5739	SCREW	VIS	SCHRAUBE	TORNILLO
#	M80A00179	C00229	VITE TE 10.9 M16X1,5X45 ZINC F25	SCREW	VIS	SCHRAUBE	TORNILLO
#	M80A00180	C00231	VITE TE 88 PF FP M16X1,5X50 ZINC UNI 5738	SCREW	VIS	SCHRAUBE	TORNILLO
#	M80A00182	C00233	VITE TE 88 PF FP M16X1,5X60 ZINC UNI 573	SCREW	VIS	SCHRAUBE	TORNILLO
#	M80A00200	C00255	VITE TE 88 PF FP M20X1,5X110 ZINC UNI 57	SCREW	VIS	SCHRAUBE	TORNILLO
#	M85A00066	C02558	DADO AUTOBLOC BASSO 8 PF M20X1,5 H=20 UNI 7474	NUT	BOULONS	NUT	DADO
#	M85A00077	C02604	DADO AUTOBLOC ALTO 8 M10 H=11.5 UNI 7473	NUT	BOULONS	NUT	DADO
#	M85A00079	C02606	DADO AUTOBLOC ALTO 8 M14 H=16 UNI 7473	NUT	BOULONS	NUT	DADO
#	M85A00089	C02657	DADO AUTOBLOC ALTO 8 M16X1,5 H=18 UNI 7473	NUT	BOULONS	NUT	DADO
#	M90A00007	C03004	RONDELLA PIANA D.10,5 DIN125-A ZINC.	WASHER	RONDELLE	UNTERLEGSCHLEIBE	ARANDELLA
#	M90A00009	C03006	RONDELLA PIANA D.15 DIN125-A ZINC.	WASHER	RONDELLE	UNTERLEGSCHLEIBE	ARANDELLA
#	M90A00010	C03007	RONDELLA PIANA D.17 DIN125-A ZINC.	WASHER	RONDELLE	UNTERLEGSCHLEIBE	ARANDELLA
#	MB0A00025	C04537	SPINA ELASTICA D.8X60	SOCKET	GOUPILLE	STECKER	PASADOR
#	MB0A00096	C05055	SPINA A SCATTO D.10 CON TIRANTE IN GOMMA	SOCKET	GOUPILLE	STECKER	PASADOR
#	H10A00002	C10608	ANELLO V-RING D.INT.54X9 (CR400600)	RING	AMORTISSEUR	RING	ANILLO
#	M30A00007	C23015	SUPPORTO UCF 209	SUPPORT	SUPPORT	STUTZE	APOYO
#	MJ5A00001	C41101	INGRASSATORE M6X1 DIRITTO	GREASE NIPPLE	GRAISSOR	FETTBUECHSE	ENGRASADOR
#	ME0A00008	C51526	TIRANTE D.25,4 M27X3 L=340/460	TIE ROD	TIRANT	ZUGSTANGE	TIRANTE
#	G00A00005	D00653	TAPPO IN GOMMA PER TUBO Q.70X70	PLUG	BOUCHON	STOEPSSEL	ENCHUFE
#	C05A03916	D01013	PIASTRA FORATA 145X145X8MM	PLATE	PLAQUE	PLATTE	PLACA
#	C05A04022	D01766	PIASTRA FORATA 145X145X12MM	PLATE	PLAQUE	PLATTE	PLACA
#	C00A00126	D03557	DIST. D.50 d.46 L.17	SPACER	ENTRETOISE	ABSTANDSTUECK	ESPACIADORES
#	C05A04324	D03580	SCHERMO PIANO UCF-209 3MM	SCREEN	ECRAN	SCHIRM	PANTALLA
#	G10A00042	D03936	PATTINO IN NYLON 55X15X55	SKID	PATINS	KUFE	PATIN
#	C05A04377	D03990	PIATTO FERMO PATTINI NYLON	METAL STRAP	METAL DEPLOYE	BANDEISEN	PLATILLO
#	C10A01427	D04254	PULIRULLO FRANTER IDR.	ROLLER SCRAPER	DECROTTEUR ROULEAU	WALZENABSTREIFER	POLIRULO
#	C10A01556	D05086	SCHERMO STAMP. UCF 209 SP2MM	SCREEN	ECRAN	SCHIRM	PANTALLA
#	C05A06367	D09964	FIANCATA FRANTER IDR. ACCIAIO SPECIALE 10MM	SIDE	LONG	NEBEN	JUNTO
#	C20A00787	E04244	GUIDA BRACCIO FRANTER H20	RAIL	GUIDE	SCHIENE	GUÍA
#	C20A00789	E04246	RULLO FRANTER H20-250 9 FILE	ROLLER	ROULEAU	WALZE	RODILLO
#	C20A00790	E04247	RULLO FRANTER H20-250 10 FILE	ROLLER	ROULEAU	WALZE	RODILLO
#	C20A00791	E04248	RULLO FRANTER H20-300 11 FILE	ROLLER	ROULEAU	WALZE	RODILLO
#	C20A00792	E04249	RULLO FRANTER H20-300 12 FILE	ROLLER	ROULEAU	WALZE	RODILLO
#	C20A00954	E05048	RULLO FRANTER H20-400 15 FILE	ROLLER	ROULEAU	WALZE	RODILLO
#	C20A00955	E05049	RULLO FRANTER H20-400 16 FILE	ROLLER	ROULEAU	WALZE	RODILLO
#	C20A01237	E06803	TELAIO POST. RINFORZATO FRANTER H20-250	FRAME	CHASSIS	RAHMEN	MARCO
#	C20A01238	E06804	TELAIO POST. RINFORZATO FRANTER H20-300	FRAME	CHASSIS	RAHMEN	MARCO
#	C20A01239	E06805	TELAIO POST. RINFORZATO FRANTER H20-400	FRAME	CHASSIS	RAHMEN	MARCO
#	C20A01240	E06806	FIANCO FRANTER IDR. RINFORZATO	SIDE	LONG	NEBEN	JUNTO
#	C20A01377	E07766	BRACCIO LUNGO FRANTER IDRAULICO H20	ARM	BRAS	ARM	BRAZO
#	M15A00178	E08485	PERNO ROND.25X85 UT.FORO D.12 ZINC***	PIN	PIVOT	STIFT	PIN
#	H80A00027	M07753	CILINDRO D.60 C.400 S.30 PASSANTE	CYLINDER	CYLINDRE	ZYLINDER	CILÍNDRICA

Coppia rulli franter idraulici H20 (vers. 2010)

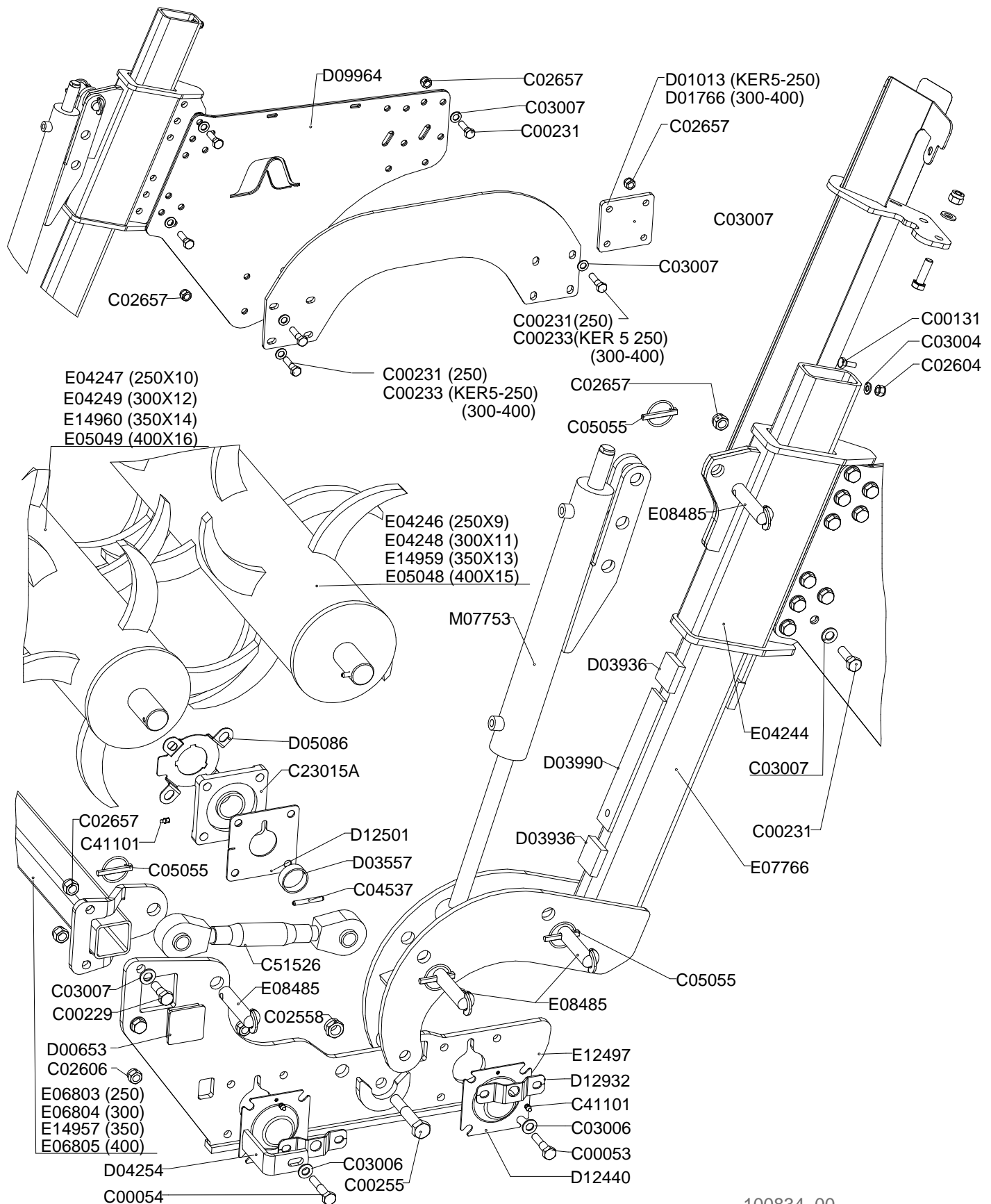
Franter hidraulic roller H20 (vers. 2010)

Rouleau franter hydrauliques H20 (vers. 2010)

Hydraulik franter walze H20 (vers. 2010)

Drawing Code: **100834_0**

Accessories: S30A00013 - S30A00014 - S30A00015 - S30A00016



100834_00



Coppia rulli franter idraulici H20 (vers. 2010)

Franter hidraulic roller H20 (vers. 2010)

Rouleau franter hydrauliques H20 (vers. 2010)

Hydraulik franter walze H20 (vers. 2010)

Drawing Code: **100834_0**

Accessories: S30A00013 - S30A00014 - S30A00015 - S30A00016

N°	Code	Old.	Descrizione / Description	GB	FR	D	E
#	M80A00046	C00053	VITE TE 88 PG FP M14X60 ZINC UNI 5737	SCREW	VIS	SCHRAUBE	TORNILLO
#	M80A00047	C00054	VITE TE 88 PG FP M14X70 ZINC UNI 5737	SCREW	VIS	SCHRAUBE	TORNILLO
#	M80A00118	C00131	VITE TE 88 PG FT M10X25 ZINC UNI 5739	SCREW	VIS	SCHRAUBE	TORNILLO
#	M80A00179	C00229	VITE TE 10.9 M16X1,5X45 ZINC F25	SCREW	VIS	SCHRAUBE	TORNILLO
#	M80A00180	C00231	VITE TE 88 PF FP M16X1,5X50 ZINC UNI 5738	SCREW	VIS	SCHRAUBE	TORNILLO
#	M80A00182	C00233	VITE TE 88 PF FP M16X1,5X60 ZINC UNI 573	SCREW	VIS	SCHRAUBE	TORNILLO
#	M80A00200	C00255	VITE TE 88 PF FP M20X1,5X110 ZINC UNI 57	SCREW	VIS	SCHRAUBE	TORNILLO
#	M85A00066	C02558	DADO AUTOBLOC BASSO 8 PF M20X1,5 H=20 UNI 7474	NUT	BOULONS	NUT	DADO
#	M85A00077	C02604	DADO AUTOBLOC ALTO 8 M10 H=11.5 UNI 7473	NUT	BOULONS	NUT	DADO
#	M85A00079	C02606	DADO AUTOBLOC ALTO 8 M14 H=16 UNI 7473	NUT	BOULONS	NUT	DADO
#	M85A00089	C02657	DADO AUTOBLOC ALTO 8 M16X1,5 H=18 UNI 7473	NUT	BOULONS	NUT	DADO
#	M90A00007	C03004	RONDELLA PIANA D.10,5 DIN125-A ZINC.	WASHER	RONDELLE	UNTERLEGSCHLEIBE	ARANDELLA
#	M90A00009	C03006	RONDELLA PIANA D.15 DIN125-A ZINC.	WASHER	RONDELLE	UNTERLEGSCHLEIBE	ARANDELLA
#	M90A00010	C03007	RONDELLA PIANA D.17 DIN125-A ZINC.	WASHER	RONDELLE	UNTERLEGSCHLEIBE	ARANDELLA
#	MB0A00025	C04537	SPINA ELASTICA D.8X60	SOCKET	GOUPILLE	STECKER	PASADOR
#	MB0A00096	C05055	SPINA A SCATTO D.10 CON TIRANTE IN GOMMA	SOCKET	GOUPILLE	STECKER	PASADOR
#	M30A00008	C23015A	SUPPORTO UCF 209 CLASSE A	SUPPORT	SUPPORT	STUTZE	APOYO
#	MJ5A00001	C41101	INGRASSATORE M6X1 DIRITTO	GREASE NIPPLE	GRAISSOR	FETTBUCHSE	ENGRASADOR
#	ME0A00008	C51526	TIRANTE D.25,4 M27X3 L=340/460	TIE ROD	TIRANT	ZUGSTANGE	TIRANTE
#	G00A00005	D00653	TAPPO IN GOMMA PER TUBO Q.70X70	PLUG	BOUCHON	STOEPSSEL	ENCHUFE
#	C05A03916	D01013	PIASTRA FORATA 145X145X8MM	PLATE	PLAQUE	PLATTE	PLACA
#	C05A04022	D01766	PIASTRA FORATA 145X145X12MM	PLATE	PLAQUE	PLATTE	PLACA
#	C00A00126	D03557	DIST. D.50 d.46 L.17	SPACER	ENTRETOISE	ABSTANDSTUECK	ESPACIADORES
#	G10A00042	D03936	PATTINO IN NYLON 55X15X55	SKID	PATINS	KUFE	PATIN
#	C05A04377	D03990	PIATTO FERMO PATTINI NYLON	METAL STRAP	METAL DEPLOYE	BANDEISEN	PLATILLO
#	C10A01427	D04254	PULIRULLO FRANter IDR.	ROLLER SCRAPER	DECROTTEUR ROULEAU	WALZENABSTREIFER	POLIRULO
#	C10A01556	D05086	SCHERMO STAMP. UCF 209 SP2MM	SCREEN	ECRAN	SCHIRM	PANTALLA
#	C05A06367	D09964	FIANCATA FRANter IDR. ACCIAIO SPECIALE 10MM	SIDE	LONG	NEBEN	JUNTO
#	C10A02869	D12440	COPERCHIO STAMPATO PROTEZ. UCF-209	LID	COUVERCLE	DECKEL	TAPA
#	C05A07052	D12501	SCHERMO PIANO UCF-209 INGRASS. MAGG. SP 3MM	SCREEN	ECRAN	SCHIRM	PANTALLA
#	C10A02960	D12932	PIASTRA PROTEZ. INGRASS. H20	PLATE	PLAQUE	PLATTE	PLACA
#	C20A00787	E04244	GUIDA BRACCIO FRANter H20	RAIL	GUIDE	SCHIENE	GUÍA
#	C20A00789	E04246	RULLO FRANter H20-250 9 FILE	ROLLER	ROULEAU	WALZE	RODILLO
#	C20A00790	E04247	RULLO FRANter H20-250 10 FILE	ROLLER	ROULEAU	WALZE	RODILLO
#	C20A00791	E04248	RULLO FRANter H20-300 11 FILE	ROLLER	ROULEAU	WALZE	RODILLO
#	C20A00792	E04249	RULLO FRANter H20-300 12 FILE	ROLLER	ROULEAU	WALZE	RODILLO
#	C20A00954	E05048	RULLO FRANter H20-400 15 FILE	ROLLER	ROULEAU	WALZE	RODILLO
#	C20A00955	E05049	RULLO FRANter H20-400 16 FILE	ROLLER	ROULEAU	WALZE	RODILLO
#	C20A01237	E06803	TELAIO POST. RINFORZATO FRANter H20-250	FRAME	CHASSIS	RAHMEN	MARCO
#	C20A01238	E06804	TELAIO POST. RINFORZATO FRANter H20-300	FRAME	CHASSIS	RAHMEN	MARCO
#	C20A01239	E06805	TELAIO POST. RINFORZATO FRANter H20-400	FRAME	CHASSIS	RAHMEN	MARCO
#	C20A01377	E07766	BRACCIO LUNGO FRANter IDRAULICO H20	ARM	BRAS	ARM	BRAZO
#	M15A00178	E08485	PERNO ROND.25X85 UT.FORO D.12 ZINC***	PIN	PIVOT	STIFT	PIN
#	C20A01977	E12497	FIANCO FRANter H20 RINF. PROTETTO	SIDE	LONG	NEBEN	JUNTO
#	C20A02321	E14957	TELAIO POST. RINFORZATO FRANter H20-350	FRAME	CHASSIS	RAHMEN	MARCO
#	C20A02322	E14959	RULLO FRANter H20-350 13 FILE	ROLLER	ROULEAU	WALZE	RODILLO
#	C20A02323	E14960	RULLO FRANter H20-350 14 FILE	ROLLER	ROULEAU	WALZE	RODILLO
#	H80A00027	M07753	CILINDRO D.60 C.400 S.30 PASSANTE	CYLINDER	CYLINDRE	ZYLINDER	CILÍNDRICA

Copyright © 2009 Alpego s.p.a. ®

Tutti i diritti sono riservati. È vietata espressamente la ristampa o l'uso non autorizzato senza permesso scritto dalla Alpego s.p.a.

Tous droits réservés. Toute réimpression ou utilisation non autorisée sans la permission écrite de la Alpego s.p.a. est formellement interdite

Alle Rechte vorbehalten. Nachdruck, Vervielfältigung und Verbreitung, auch auszugsweise, ist ohne schriftliche Genehmigung der Alpego s.p.a.

Al rights reserved. Any reprinting or unauthorized use without the written permission of Alpego s.p.a. is expressly prohibited

Todos los derechos reservados. Toda reproducción o uso no autorizado sin el consentimiento escrito de Alpego s.p.a. quedan expresamente prohibidos

18/12/2014

Impianto idraulico rulli franter H20

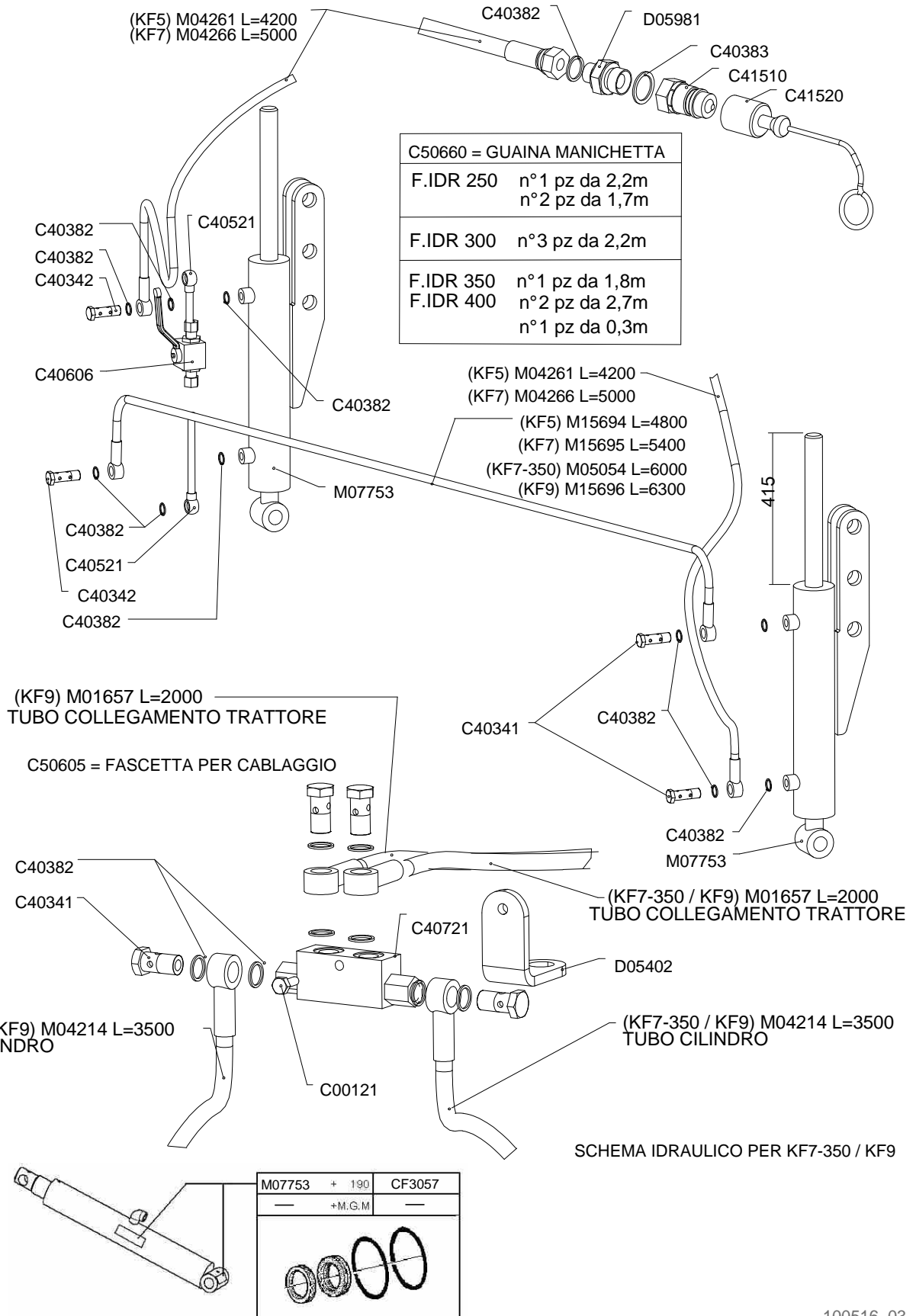
Hydraulic system franter roller H20

Circuit hydraulique rouleau franter H20

Hydraulik anlage franter walze H20

Drawing Code: **100516_3**

Accessories: S30A00013 - S30A00014 - S30A00015



100516_03



Impianto idraulico rulli franter H20

Hydraulic system franter roller H20

Circuit hydraulique rouleau franter H20

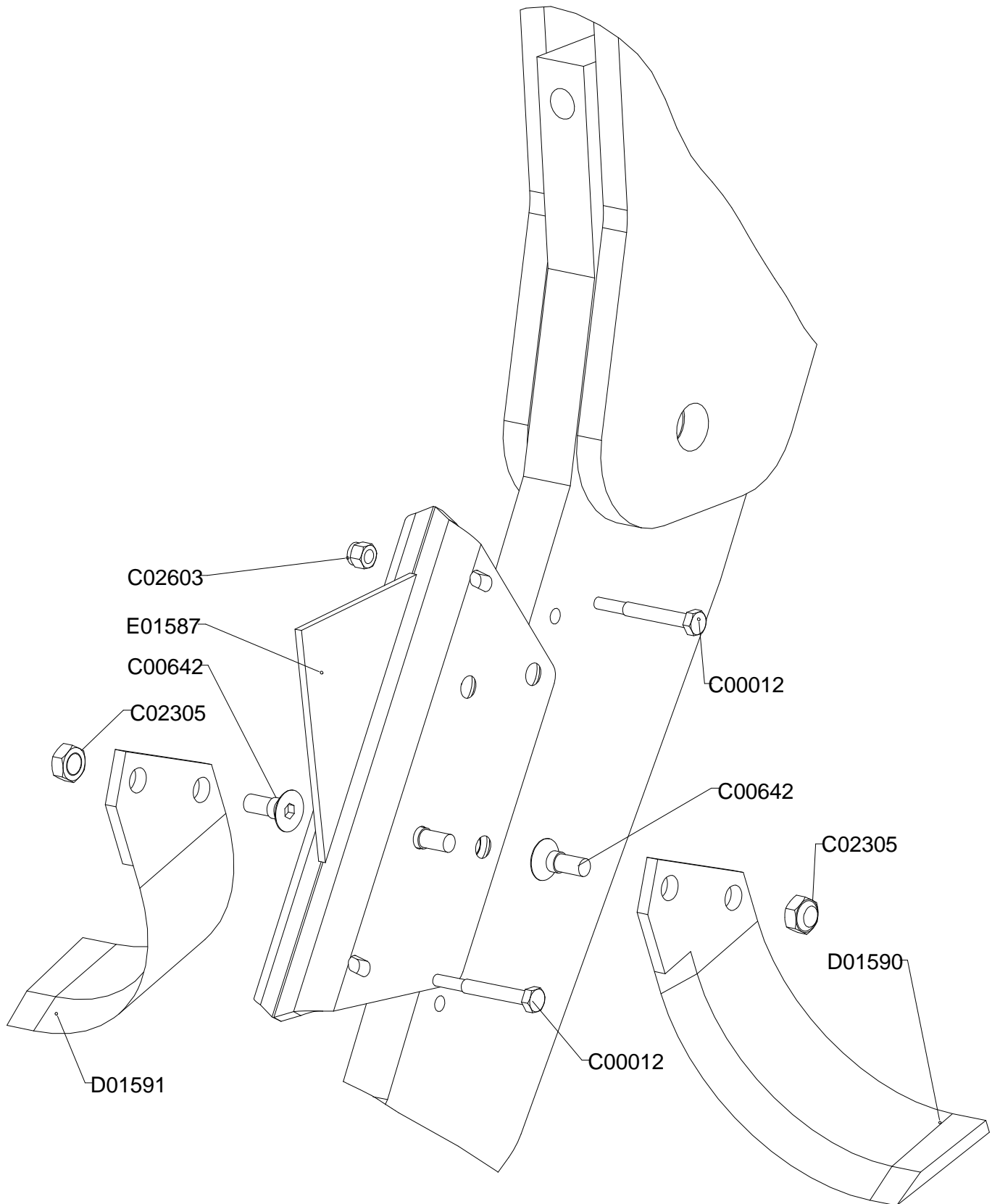
Hydraulik anlage franter walze H20

Drawing Code: **100516_3**

Accessories: S30A00013 - S30A00014 - S30A00015

N°	Code	Old.	Descrizione / Description
#	M80A00110	C00121	VITE TE 88 PG FT M8X20 ZINC UNI 5739
#	H40A00002	C40341	VITE FORATA 3/8X31
#	H40A00003	C40342	VITE FORATA DOPPIA 3/8X49
#	H35A00042	C40382	RONDELLA RAME 3/8 D.17
#	H35A00043	C40383	RONDELLA RAME 1/2 D.21
#	H35A00099	C40521	OCCHIO 3/8 CON TUBETTO D.12X200 ZINC.
#	H55A00003	C40606	RUBINETTO A SFERA 3/8 OGIVA 12 400 BAR
#	H70A00013	C40721	VALVOLA BLOCCO 3/8 VBPDE L=126 CORTA
#	H50A00005	C41510	INNESTO RAPIDO MASCHIO ATT.1/2 F NV
#	G10A00002	C41520	TAPPO PROT.INNESTO RAPIDO 1/2 MASCHIO BLU
#	MH5A00015	C50605	FASCETTA CABLAGGIO 7.6 X 240 NERE
#	G10A00031	C50660	GUAINA MANICHETTA L 80 NERA TESSILE
#	SCOA00062	CF3057	SERIE GUARNIZ. CIL.M04202/M07753 60-30 PASSANTE
#	C10A01605	D05402	STAFFA VALVOLA DI BLOCCO
#	H35A00115	D05981	NIPLES RIDUZIONE 1/2 3/8 CON FORO D.1,6
#	H75A00002	M01657	"TUBO IDR OH3/8"-R1AT 1/4""X2000-FD3/8""
#	H75A00015	M04214	"TUBO IDR OH3/8"-R1AT 1/4""X3500-OH3/8""
#	H75A00024	M04261	"TUBO IDR OH3/8"-R1AT 1/4""X4200-FD3/8""
#	H75A00026	M04266	"TUBO IDR OH3/8"-R1AT 1/4""X5000-FD 3/8""
#	H75A00030	M05054	"TUBO IDR OH3/8"-R1AT 1/4""X6000-OH3/8""
#	H80A00027	M07753	CILINDRO D.60 C.400 S.30 PASSANTE
#	H75A00105	M15694	"TUBO IDR OH3/8"-R1AT 1/4""X4800-OH3/8""
#	H75A00106	M15695	"TUBO IDR OH3/8"-R1AT 1/4""X5400-OH3/8""
#	H75A00107	M15696	"TUBO IDR OH3/8"-R1AT 1/4""X6300-OH3/8""

GB	FR	D	E
SCREW	VIS	SCHRAUBE	TORNILLO
SCREW	VIS	SCHRAUBE	TORNILLO
SCREW	VIS	SCHRAUBE	TORNILLO
WASHER	RONDELLE	UNTERLEGSCHIEBE	ARANDELLA
WASHER	RONDELLE	UNTERLEGSCHIEBE	ARANDELLA
EYE	ŒIL	AUGE	OJOS
TAP	ROBINET	HAHN	GRIFOS
VALVE	SOUPAPE	VENTIL	VALVULA
COUPLING	ACCOUPLMENT	KUPPLUNG	COMPROMISO
PLUG	BOUCHON	STOEPSSEL	ENCHUFE
CLIP	RIVELSAN	BAND	BANDAS
SHEATH	GAINÉ	MANTEL	VAINA
SERIES	SÉRIE	SERIE	SERIE
BRACKET	SUPPORT	BUEGEL	SOPORTE
NIPLES	NIPLES	NIPLES	NIPLES
TUBE	TUBE	ROHR	TUBO
TUBE	TUBE	ROHR	TUBO
TUBE	TUBE	ROHR	TUBO
TUBE	TUBE	ROHR	TUBO
TUBE	TUBE	ROHR	TUBO
TUBE	TUBE	ROHR	TUBO
TUBE	TUBE	ROHR	TUBO
CYLINDER	CYLINDRE	ZYLINDER	CILÍNDRICA
TUBE	TUBE	ROHR	TUBO
TUBE	TUBE	ROHR	TUBO
TUBE	TUBE	ROHR	TUBO



100071_01



Esplosore ad alette Craker

Soil sweep Craker

Exploseur a ailerons Craker

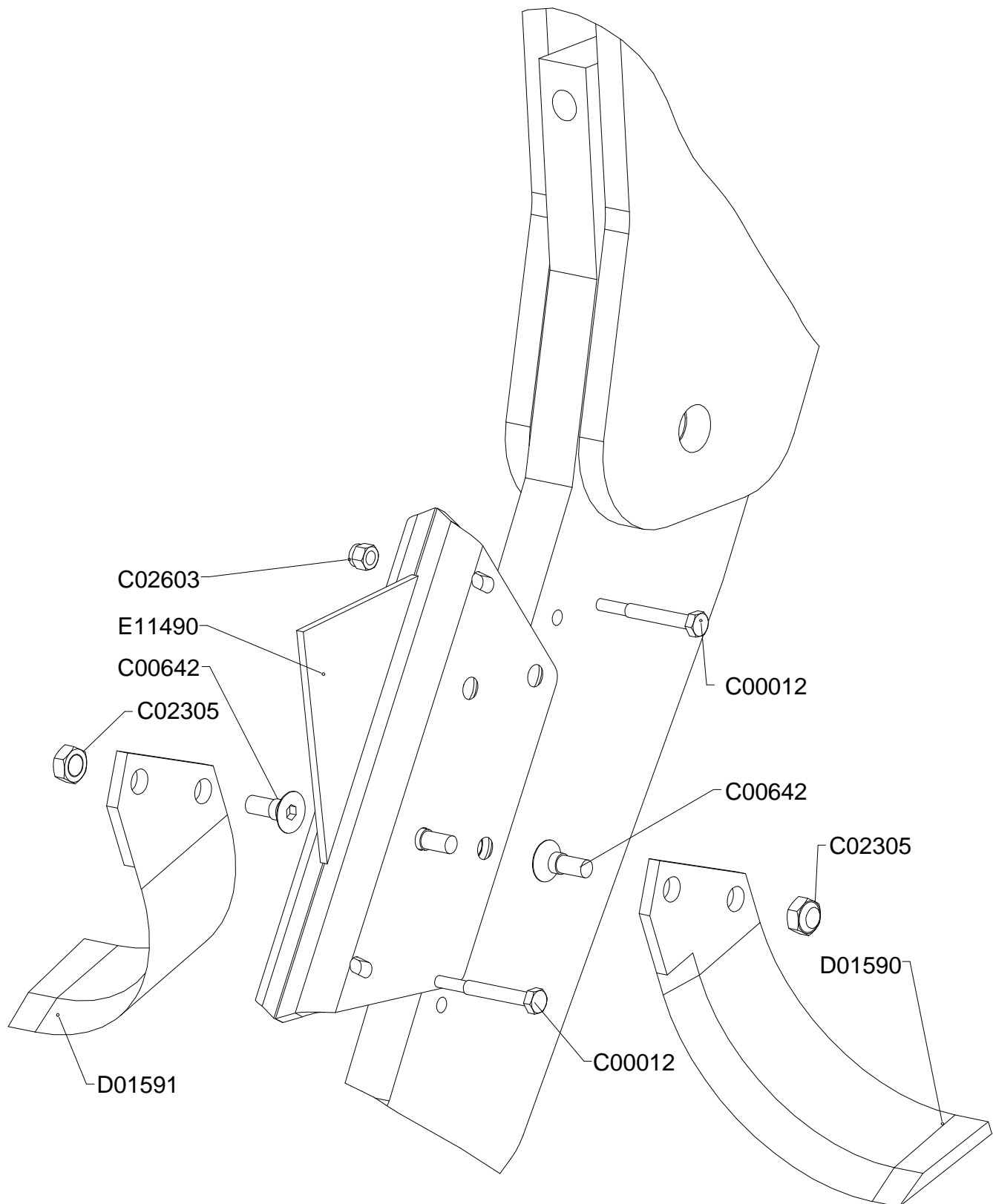
Spezialmesser zum Craker

Drawing Code: **100071_1**

Accessories: S85A00021

N°	Code	Old.	Descrizione / Description
#	M80A00009	C00012	VITE TE 88 PG FP M8X70 ZINC UNI 5737
#	M80A00290	C00642	VITE TSPEI 10.9 PG M12X30 UNI 5933
#	M85A00050	C02305	DADO METALBLOC M12 X 1.75
#	M85A00075	C02603	DADO AUTOBLOC ALTO 8 M8 H=10.6 UNI 7473
#	MK0A00036	D01590	ZAPPETTA ELICOID.DESTRA- (80X8)
#	MK0A00037	D01591	ZAPPETTA ELICOID.SINISTRA (80X8)
#	C20A00233	E01587	SUPPORTO ALETTE KFR (VERNICIATI GIALLO ALPEGO)

GB	FR	D	E
SCREW	VIS	SCHRAUBE	TORNILLO
SCREW	VIS	SCHRAUBE	TORNILLO
NUT	BOULONS	NUT	DADO
NUT	BOULONS	NUT	DADO
HOE	LAME	HACKE	CUCHILLA
HOE	LAME	HACKE	CUCHILLA
SUPPORT	SUPPORT	STUTZE	APOYO



100716_00



Esplosore ad alette Roccia

Soil sweep Roccia

Exploseur a ailerons Roccia

Spezialmesser zum Roccia

Drawing Code: **100716_0**

Accessories: S85A00027

N°	Code	Old.	Descrizione / Description
#	M80A00009	C00012	VITE TE 88 PG FP M8X70 ZINC UNI 5737
#	M80A00290	C00642	VITE TSPEI 10.9 PG M12X30 UNI 5933
#	M85A00050	C02305	DADO METALBLOC M12 X 1.75
#	M85A00075	C02603	DADO AUTOBLOC ALTO 8 M8 H=10.6 UNI 7473
#	MK0A00036	D01590	ZAPPETTA ELICOID.DESTRA- (80X8)
#	MK0A00037	D01591	ZAPPETTA ELICOID.SINISTRA (80X8)
#	C20A01898	E11490	SUPPORTO ESPLORE ALETTE K2 (VERNICIATI GIALLO ALPE

GB	FR	D	E
SCREW	VIS	SCHRAUBE	TORNILLO
SCREW	VIS	SCHRAUBE	TORNILLO
NUT	BOULONS	NUT	DADO
NUT	BOULONS	NUT	DADO
HOE	LAME	HACKE	CUCHILLA
HOE	LAME	HACKE	CUCHILLA
SUPPORT	SUPPORT	STUTZE	APOYO