

Fresatrice

FZ



www.alpego.com

Tel +39 0444/64.61.00

Fax +39 0444/64.61.99

e-mail: info@alpego.com

ALPEGO s.p.a.

Sede Amministrativa:

Via Torri di Confine, 6 36053 GAMBELLARA (VICENZA) - ITALY

Sede Legale:

Via Giovanni e Giuseppe Cenzato, 9 36045 LONIGO (VICENZA) - ITALY

Capitale sociale €2.000.000 i.v.

Cod. Fisc. / Part. IVA IT02009840246

R.E.A. 199795/VI/1996

Reg. Imp.VI N° 22374/VI/1996

N. Mecc. VI 011754

Copyright © 2009 Alpego s.p.a. ®

Tutti i diritti sono riservati. È vietata espressamente la ristampa o l'uso non autorizzato senza permesso scritto dalla Alpego s.p.a.

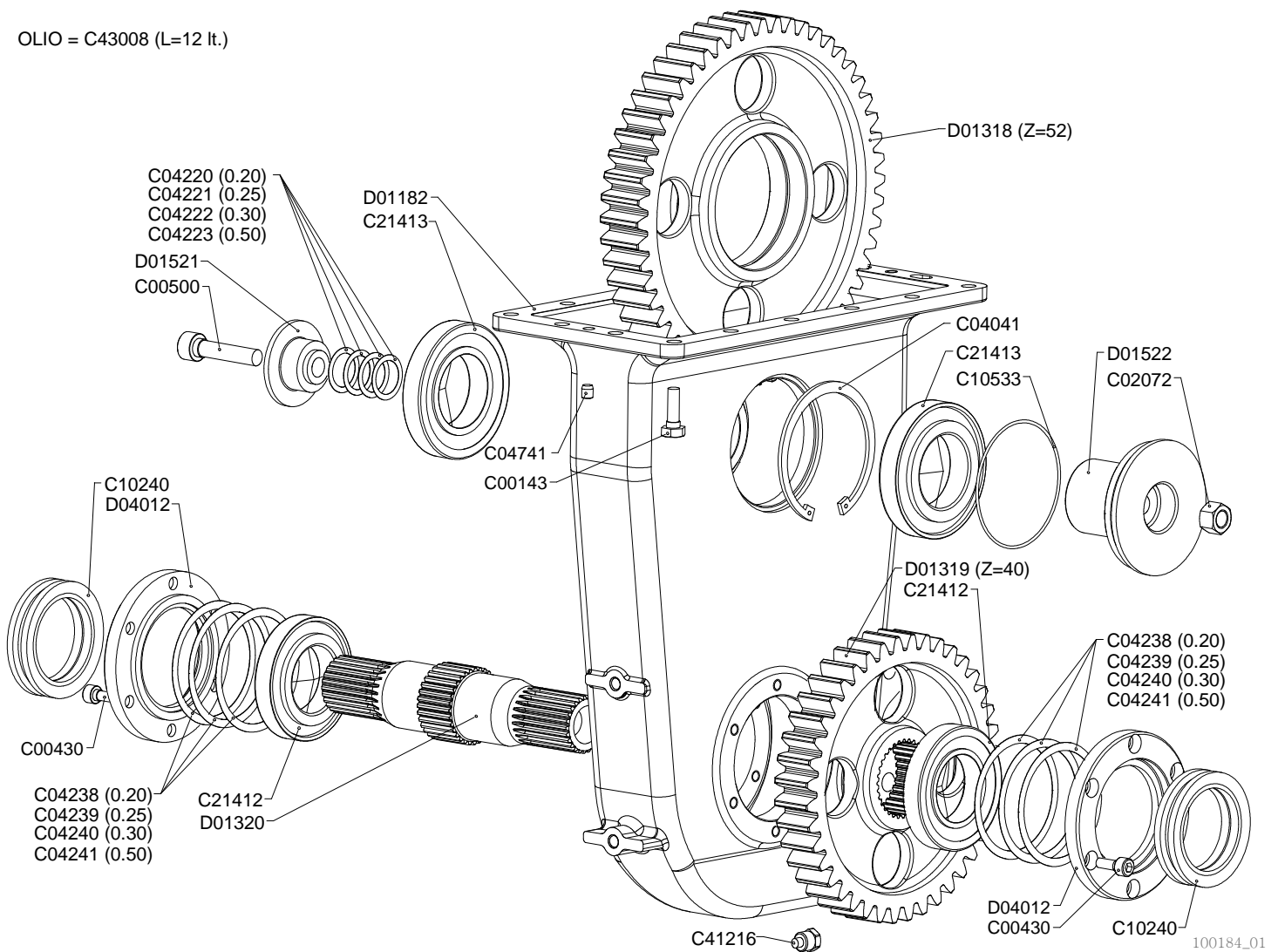
Tous droits réservés. Toute réimpression ou utilisation non autorisée sans la permission écrite de la Alpego s.p.a. est formellement interdite.

Alle Rechte vorbehalten. Nachdruck, Vervielfältigung und Verbreitung, auch auszugsweise, ist ohne schriftliche Genehmigung der Alpego s.p.a.

All rights reserved. Any reprinting or unauthorized use without the written permission of Alpego s.p.a. is expressly prohibited.

Todos los derechos reservados. Toda reproducción o uso no autorizado sin el consentimiento escrito de Alpego s.p.a. quedan expresamente prohibidos.

OLIO = C43008 (L=12 lt.)



100184_01



Cascata

Lower transmission

Transmission inferieur

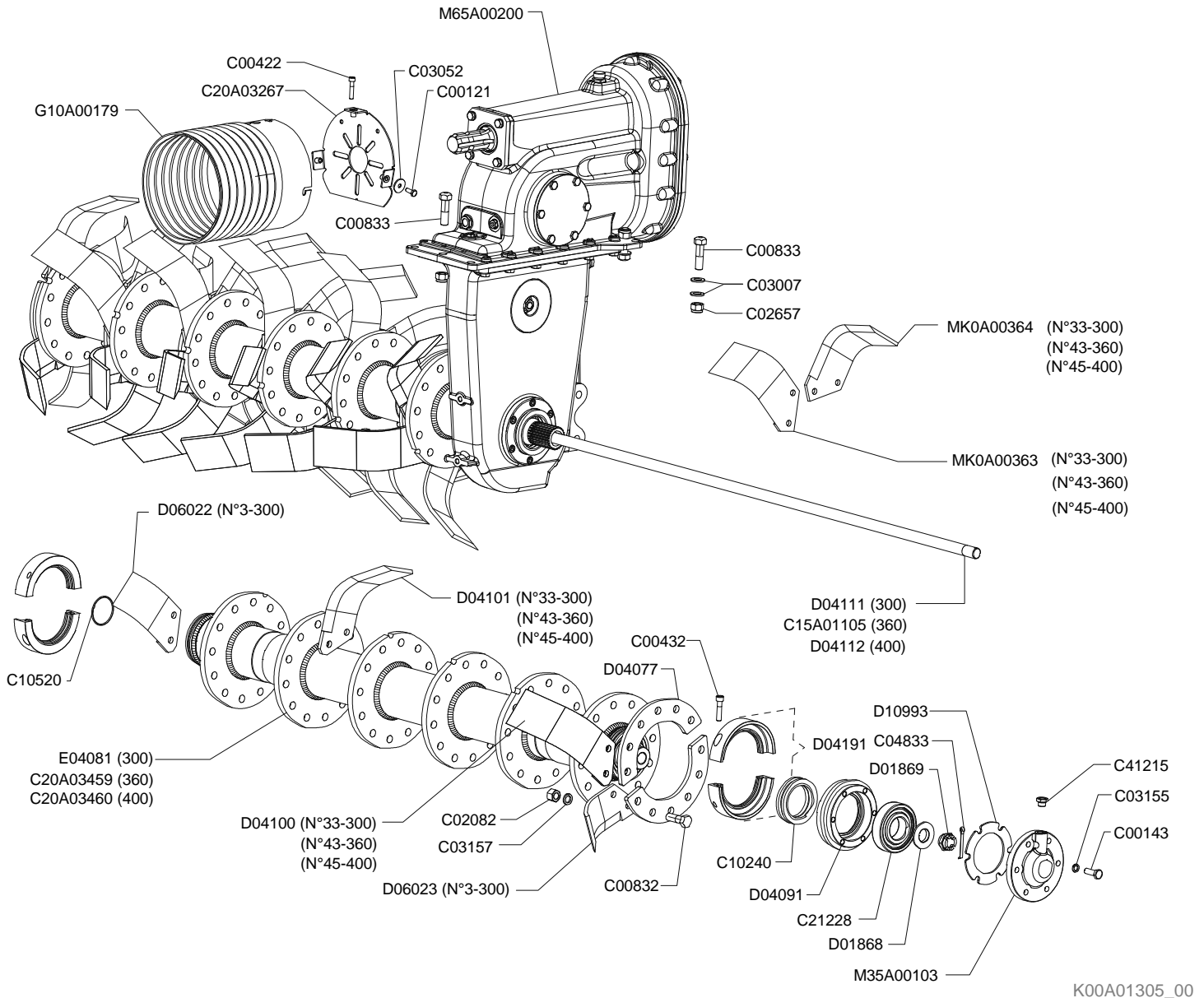
Unter getriebe

Drawing Code:

100184_1

Accessories:

N°	Code	Old.	Descrizione / Description	GB	FR	D	E
#	M80A00130	C00143	VITE TE 88 PG FT M12X35 ZINC UNI 5739	SCREW	VIS	SCHRAUBE	TORNILLO
#	M80A00243	C00430	VITE TCEI PG M10X25 ZINC UNI 5931	SCREW	VIS	SCHRAUBE	TORNILLO
#	M80A00257	C00500	VITE TCEI PG M16X70 UNI 5931	SCREW	VIS	SCHRAUBE	TORNILLO
#	M85A00018	C02072	DADO ALTO 10 PG M16 5587	NUT	BOULONS	NUT	DADO
#	MA0A00016	C04041	SEEGER FORO D.120 UNI 7437	SEEGER	SEEGER	SEEGER	SEEGER
#	MA5A00020	C04220	SPESSORE REG. 30X40X0,2	THICKNESS	CALES	DICKE	ESPESOR
#	MA5A00021	C04221	SPESSORE REG. 30X40X0,25	THICKNESS	CALES	DICKE	ESPESOR
#	MA5A00022	C04222	SPESSORE REG. 30X40X0,3	THICKNESS	CALES	DICKE	ESPESOR
#	MA5A00023	C04223	SPESSORE REG. 30X40X0,5	THICKNESS	CALES	DICKE	ESPESOR
#	MA5A00038	C04238	SPESSORE REG. 95.2X109.7X0,2	THICKNESS	CALES	DICKE	ESPESOR
#	MA5A00039	C04239	SPESSORE REG. 95.2X109.7X0,25	THICKNESS	CALES	DICKE	ESPESOR
#	MA5A00040	C04240	SPESSORE REG. 95.2X109.7X0,3	THICKNESS	CALES	DICKE	ESPESOR
#	MA5A00041	C04241	SPESSORE REG. 95.2X109.7X0,5	THICKNESS	CALES	DICKE	ESPESOR
#	MB0A00079	C04741	SPINA CILINDRICA D.10X16 DIN 6325	SOCKET	GOUPILLE	STECKER	PASADOR
#	H25A00002	C10240	TENUTA MECCANICA D.102.2 D.73.8X23	SEAL	GARNITURE	DICHTUNG	SELLO
#	H05A00035	C10533	ANELLO OR 3425 D.INT.107,62x2,62	RING	AMORTISSEUR	RING	ANILLO
#	M20A00064	C21412	CUSCINETTO 30212 60X110X23,75	BEARING	ROULEMENT	KUGELLAGER	COJINETE
#	M20A00065	C21413	CUSCINETTO 30213 65X120X24,75	BEARING	ROULEMENT	KUGELLAGER	COJINETE
#	H45A00009	C41216	TAPPO CONICO M16X1,5 MAGNET.8X18 CH-17	PLUG	BOUCHON	STOEPSSEL	ENCHUFE
#	L20A00004	C43008	OLIO CAMBIO SINT. GLOBAL MULTIGEAR CBS-A	OIL	HUILE	OEL	ACEITE
#	C15A00044	D01182	SCATOLA CASCATA LE	BOX	BOITE	SCHACTEL	RECUADRO
#	M40A00010	D01318	INGRANAGGIO Z=52 LE-LH-FH	GEAR	ENGRENAGES	ZAHNRAEDER	ENGRANAJE
#	M40A00011	D01319	INGRANAGGIO Z=40 LE-LH-FH	GEAR	ENGRENAGES	ZAHNRAEDER	ENGRANAJE
#	M45A00010	D01320	ALBERO USCITA LE	SHAFT	ARBRE	WELLE	EJE
#	C15A00069	D01521	BOTTONE PERNO INTERMEDIO LE (CEMENTATO)	PUSH-BOTTON	BOUTONS	DRUCK-KNOPF	BOTON
#	C15A00070	D01522	PERNO INTERMEDIO 65X64 UT.(CEMENTATO)	PIN	PIVOT	STIFT	PIN
#	C15A00321	D04012	COPERCHIO ALBERO USCITA LE4 (GNL)	LID	COUVERCLE	DECKEL	TAPA



K00A01305_00



Trasmissione

Transmission

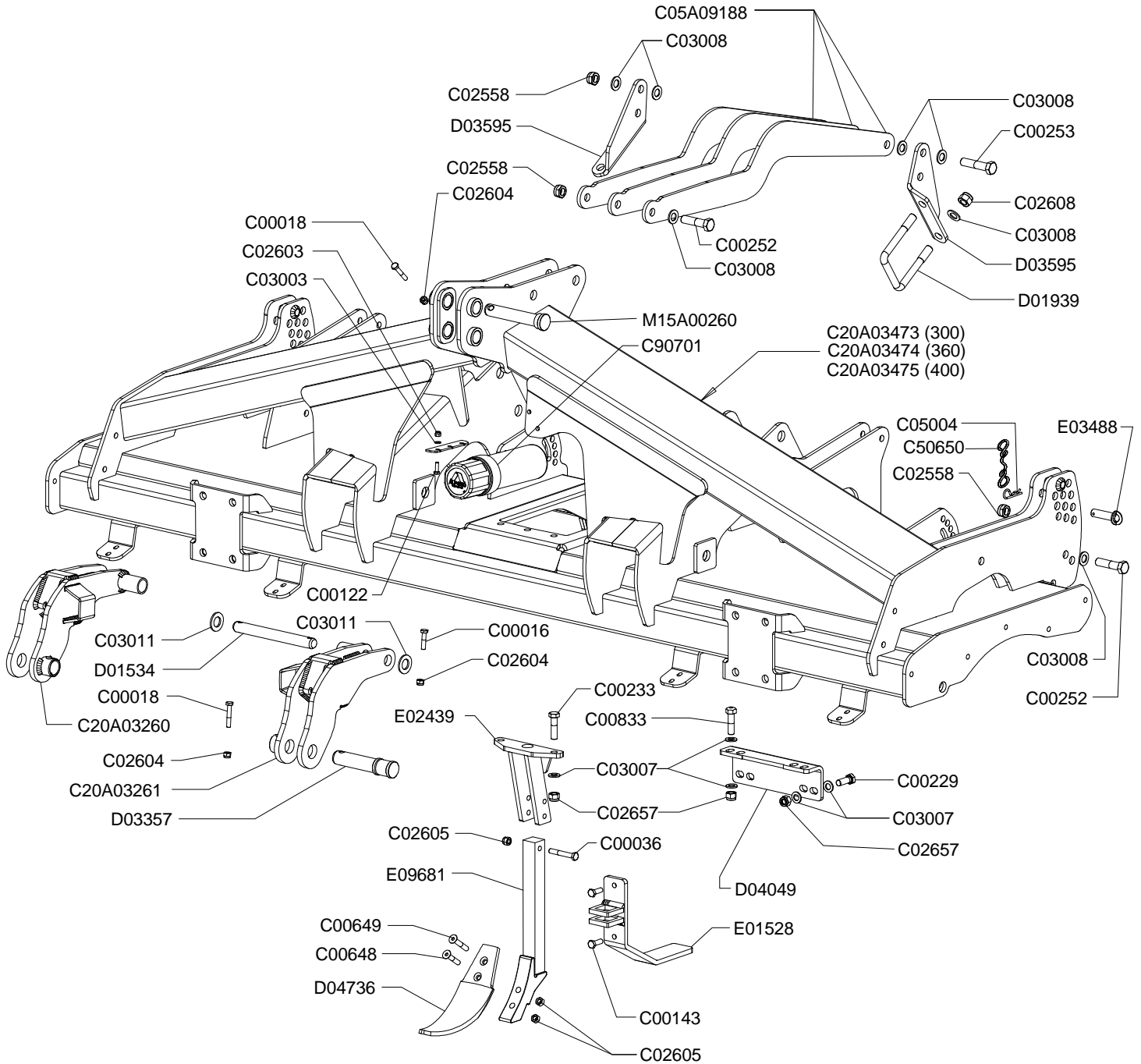
Transmission

Getriebe

Drawing Code: **K00A01305_0**

Accessories:

N°	Code	Old.	Descrizione / Description	GB	FR	D	E
#	M80A00110	C00121	VITE TE 88 PG FT M8X20 ZINC UNI 5739	SCREW	VIS	SCHRAUBE	TORNILLO
#	M80A00130	C00143	VITE TE 88 PG FT M12X35 ZINC UNI 5739	SCREW	VIS	SCHRAUBE	TORNILLO
#	M80A00237	C00422	VITE TCEI PG M8X40 ZINC UNI 5931	SCREW	VIS	SCHRAUBE	TORNILLO
#	M80A00245	C00432	VITE TCEI PG M10X45 ZINC UNI 5931	SCREW	VIS	SCHRAUBE	TORNILLO
#	M80A00325	C00832	VITE TE 12.9 M16X1,5X50 F25/28 (T.TONDA) ZINCO-LAMELLARE	SCREW	VIS	SCHRAUBE	TORNILLO
#	M80A00326	C00833	VITE TE 12.9 M16X1,5X57 F28/32 (T.TONDA) ZINCO-LAMELLARE	SCREW	VIS	SCHRAUBE	TORNILLO
#	M85A00022	C02082	DADO ALTO 10 PF M16X1,5 5587 ZINCO-LAMELLARE	NUT	BOULONS	NUT	DADO
#	M85A00089	C02657	DADO AUTOBLOC ALTO 8 M16X1,5 H=18 UNI 7473	NUT	BOULONS	NUT	DADO
#	M90A00010	C03007	RONDELLA PIANA D.17 DIN125-A ZINC.	WASHER	RONDELLE	UNTERLEGSSCHEIBE	ARANDELLA
#	M90A00027	C03052	RONDELLA PIANA d9xD32x2.5 UNI 6593 ZINC.	WASHER	RONDELLE	UNTERLEGSSCHEIBE	ARANDELLA
#	M90A00044	C03155	RONDELLA GROWER RINF. D.12 ASA B27	WASHER	RONDELLE	UNTERLEGSSCHEIBE	ARANDELLA
#	M90A00048	C03157	RONDELLA GROWER RINF. D.16 ASA B27 ZINCO-LAMELLARE	WASHER	RONDELLE	UNTERLEGSSCHEIBE	ARANDELLA
#	MB5A00016	C04833	COPPIGLIA D.5X40 UNI 1336	COTTER PIN	GOUPILLE	SPLINT	COPPIGLIA
#	H25A00002	C10240	TENUTA MECCANICA D.102.2 D.73.8X23	SEAL	GARNITURE	DICHTUNG	SELLO
#	H05A00023	C10520	ANELLO OR 3237 D.INT.60x2.62	RING	AMORTISSEUR	RING	ANILLO
#	C15A01105		TIRANTE ROTORE FH/LH-360 24X3680	TIE ROD	TIRANT	ZUGSTANGE	TIRANTE
#	C20A03267		FONDELLO PROTEZ. D.INT 230	BOTTOM	FOND	BODEN	FONDO
#	C20A03459		"ROTORE FZ-360 (ELIC ""S"") 7 F."	ROTOR	ROTOR	ROTOR	ROTOR
#	C20A03460		"ROTORE FZ-400 (ELIC ""S"") 8 F."	ROTOR	ROTOR	ROTOR	ROTOR
#	M20A00048	C21228	CUSCINETTO 6310 C3-CLASSE A 50X110X27	BEARING	ROULEMENT	KUGELLAGER	COJINETE
#	H45A00008	C41215	TAPPO CONICO M16X1,5 8X18 CH17 (11/C)	PLUG	BOUCHON	STOEPSSEL	ENCHUFE
#	C15A00109	D01868	RONDELLA SPEC.LE3 CON BATTUTA D.50***	WASHER	RONDELLE	UNTERLEGSSCHEIBE	ARANDELLA
#	M85A00105	D01869	DADO CORONA SPECIALE M24X2	NUT	BOULONS	NUT	DADO
#	C05A04394	D04077	"CONTRO FLANGIA D.260 FZ (""S"")"	-	-	-	-
#	M35A00010	D04091	SUPPORTO ESTERNO LE4 (SP.8)	SUPPORT	SUPPORT	STUTZE	APOYO
#	MK0A00069	D04100	"ZAPPA ELICOIDALE DESTRA FZ ""S"""	HOE	LAME	HACKE	CUCHILLA
#	MK0A00070	D04101	"ZAPPA ELICOIDALE SINISTRA FZ ""S"""	HOE	LAME	HACKE	CUCHILLA
#	C15A00329	D04111	TIRANTE ROTORE FE4 / LE4 300 24X2975	TIE ROD	TIRANT	ZUGSTANGE	TIRANTE
#	C15A00330	D04112	TIRANTE ROTORE FE4 / LE4 400 24X4065	TIE ROD	TIRANT	ZUGSTANGE	TIRANTE
#	C15A00335	D04191	PROT. SMONTABILE ROTORE LH/FH ***	PROTECTION	PROTECTION	SCHUTZ	PROTECCIÓN
#	MK0A00103	D06022	"ZAPPA CORTA ELIC. DESTRA FZ ""S"""	HOE	LAME	HACKE	CUCHILLA
#	MK0A00104	D06023	"ZAPPA CORTA ELIC. SINISTRA FZ ""S"""	HOE	LAME	HACKE	CUCHILLA
#	C05A06632	D10993	SPESSORE REG. 92X139.5X4 FINACATA FH/LH	THICKNESS	CALES	DICKE	ESPEJOR
#	C20A00742	E04081	"ROTORE FZ-300 (ELIC.""S"") 6 F."	ROTOR	ROTOR	ROTOR	ROTOR
#	G10A00179		PROT.CARDANO D.INT 234X H281 PE-HD 3 ASOLE	-	-	-	-
#	M35A00103		COPERCHIO SUPPORTO EST.-LE- TM DA STM	LID	COUVERCLE	DECKEL	TAPA
#	M65A00200		CAMBIO T+C 190 Z=25/29 (1000=232/313) FZ (NO PDF POST)	GEAR SHIFT	BOITE DE VITESSE	WECHSELGETRIEBE	CAMBIO
#	MK0A00363		"ZAPPA A SQUADRA DESTRA FZ ""S"""	HOE	LAME	HACKE	CUCHILLA
#	MK0A00364		"ZAPPA A SQUADRA SINISTRA FZ ""S"""	HOE	LAME	HACKE	CUCHILLA



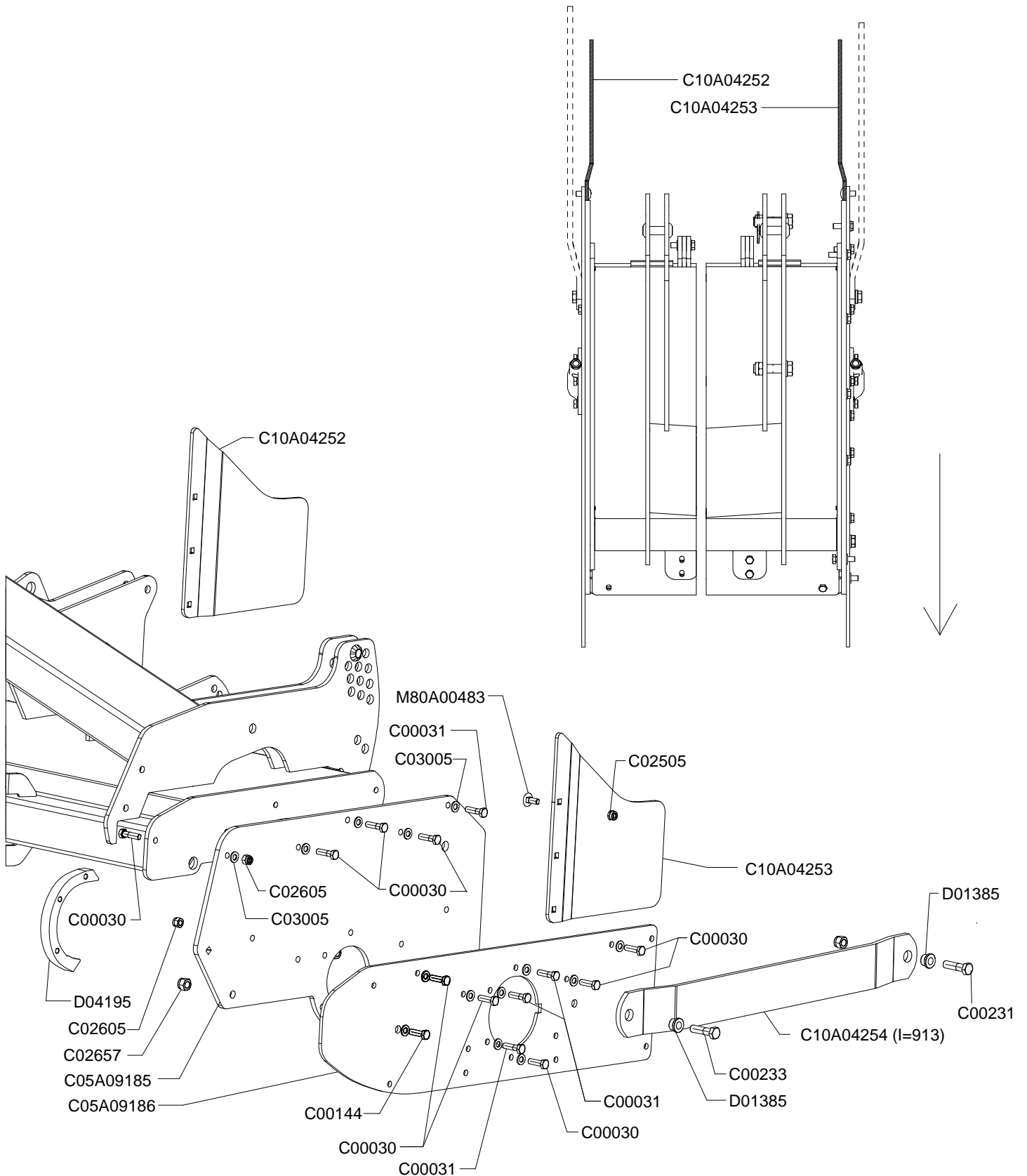


Telaio
Frame
Chassis
Rahmen

Drawing Code: **K00A01303_0**

Accessories:

N°	Code	Old.	Descrizione / Description	GB	FR	D	E
#	M80A00013	C00016	VITE TE 88 PG FP M10X45 ZINC UNI 5737	SCREW	VIS	SCHRAUBE	TORNILLO
#	M80A00015	C00018	VITE TE 88 PG FP M10X60 ZINC UNI 5737	SCREW	VIS	SCHRAUBE	TORNILLO
#	M80A00033	C00036	VITE TE 88 PG FP M12X80 ZINC UNI 5737	SCREW	VIS	SCHRAUBE	TORNILLO
#	M80A00111	C00122	VITE TE 88 PG FT M8X25 ZINC UNI 5739	SCREW	VIS	SCHRAUBE	TORNILLO
#	M80A00130	C00143	VITE TE 88 PG FT M12X35 ZINC UNI 5739	SCREW	VIS	SCHRAUBE	TORNILLO
#	M80A00179	C00229	VITE TE 10.9 M16X1,5X45 ZINC F25	SCREW	VIS	SCHRAUBE	TORNILLO
#	M80A00182	C00233	VITE TE 88 PF FP M16X1,5X60 ZINC UNI 573	SCREW	VIS	SCHRAUBE	TORNILLO
#	M80A00197	C00252	VITE TE 88 PF FP M20X1,5X80 ZINC UNI 573	SCREW	VIS	SCHRAUBE	TORNILLO
#	M80A00198	C00253	VITE TE 88 PF FP M20X1,5X90 ZINC UNI 573	SCREW	VIS	SCHRAUBE	TORNILLO
#	M80A00296	C00648	VITE TSPEI 10.9 PG M12X60 UNI 5933	SCREW	VIS	SCHRAUBE	TORNILLO
#	M80A00297	C00649	VITE TSPEI 10.9 PG M12X70 UNI 5933	SCREW	VIS	SCHRAUBE	TORNILLO
#	M80A00326	C00833	VITE TE 12.9 M16X1,5X57 F28/32 (T.TONDA) ZINCO-LAMELLARE	SCREW	VIS	SCHRAUBE	TORNILLO
#	M85A00066	C02558	DADO AUTOBLOC BASSO 8 PF M20X1,5 H=20 UNI 7474	NUT	BOULONS	NUT	DADO
#	M85A00075	C02603	DADO AUTOBLOC ALTO 8 M8 H=10.6 UNI 7473	NUT	BOULONS	NUT	DADO
#	M85A00077	C02604	DADO AUTOBLOC ALTO 8 M10 H=11.5 UNI 7473	NUT	BOULONS	NUT	DADO
#	M85A00078	C02605	DADO AUTOBLOC ALTO 8 M12 H=14 UNI 7473	NUT	BOULONS	NUT	DADO
#	M85A00081	C02608	DADO AUTOBLOC ALTO 8 M20 H=22 UNI 7473	NUT	BOULONS	NUT	DADO
#	M85A00089	C02657	DADO AUTOBLOC ALTO 8 M16X1,5 H=18 UNI 7473	NUT	BOULONS	NUT	DADO
#	M90A00005	C03003	RONDELLA PIANA D.8,4 DIN125-A ZINC.	WASHER	RONDELLE	UNTERLEGSCHLEIBE	ARANDELLA
#	M90A00010	C03007	RONDELLA PIANA D.17 DIN125-A ZINC.	WASHER	RONDELLE	UNTERLEGSCHLEIBE	ARANDELLA
#	M90A00011	C03008	RONDELLA PIANA D.21 DIN125-A ZINC.	WASHER	RONDELLE	UNTERLEGSCHLEIBE	ARANDELLA
#	M90A00014	C03011	RONDELLA PIANA D.28 DIN125-A ZINC.	WASHER	RONDELLE	UNTERLEGSCHLEIBE	ARANDELLA
#	MB0A00087	C05004	SPINA A MOLLA D.4	SOCKET	GOUPILLE	STECKER	PASADOR
#	C05A09188		LAMA RULLO SUPERIORE FZ I=975 2XD21	METAL PLATE	LAME	METALL-PLATTE	CUCHILLA
#	C20A03260		ATTACCO TRATT.DESTRO RMAX	CONNECTION	ATTELAGE	ANSCHLUSS	ATAQUE
#	C20A03261		ATTACCO TRATT.SINISTRO RMAX	CONNECTION	ATTELAGE	ANSCHLUSS	ATAQUE
#	C20A03473		TELAIO FZ/LZ/KZ - 300	FRAME	CHASSIS	RAHMEN	MARCO
#	C20A03474		TELAIO FZ/LZ/KZ - 360	FRAME	CHASSIS	RAHMEN	MARCO
#	C20A03475		TELAIO FZ/LZ/KZ - 400	FRAME	CHASSIS	RAHMEN	MARCO
#	M79A00002	C50650	GOMMINO CON ANELLI L.240 MM.	RUBBER	CAOUTCHOUC	BELAG	GOMAS
#	Q25A00118	C90701	TUBO PORTADOCUMENTI BLU D.100 L=320	TUBE	TUBE	ROHR	TUBO
#	M15A00017	D01534	PERNO D.28X224 UT.2 FORI D.11ZINC	PIN	PIVOT	STIFT	PIN
#	MD5A00005	D01939	CAVALLOTTO QUADRO M20X100X145	PIN	CAVALLIER	STIFT	CAVALLOTTI
#	M15A00044	D03357	PERNO D.36,5X113.5 UT.FORO D.13 BON+ZINC	PIN	PIVOT	STIFT	PIN
#	C10A01354	D03595	STAFFA ATTACCO RULLO SERIE 3-4 10MM	BRACKET	SUPPORT	BUEGEL	SOPORTE
#	C10A01394	D04049	ANGOLO RINFORZO CAMBIO FE4	ANGLE	ANGULAIRE	WINKEL	Ángulo
#	MK0A00074	D04736	VOMERE A PUNTA 110X10X270	PLOUGHSHARE	SOC	PFLUGSCHAR	REJA
#	C20A00210	E01528	PROTEZIONE INFERIORE GRUPPO LE-FE	PROTECTION	PROTECTION	SCHUTZ	PROTECCIÓN
#	C20A00433	E02439	ATTACCO BRACCIO VOMERE CENTR.LE-FE-LH-FH	CONNECTION	ATTELAGE	ANSCHLUSS	ATAQUE
#	M15A00174	E03488	PERNO ROND D.20X63 UT. FORO D.6 ZINC***	PIN	PIVOT	STIFT	PIN
#	C20A01662	E09681	BRACCIO VOMERE CENTRALE FH/LH D.15X45***	ARM	BRAS	ARM	BRAZO
#	M15A00260		PERNO D.31,7X147 UT. FORO D.13 BON+ZINC***	PIN	PIVOT	STIFT	PIN





Fiancata frese FZ

Flank FZ

Flanc FZ

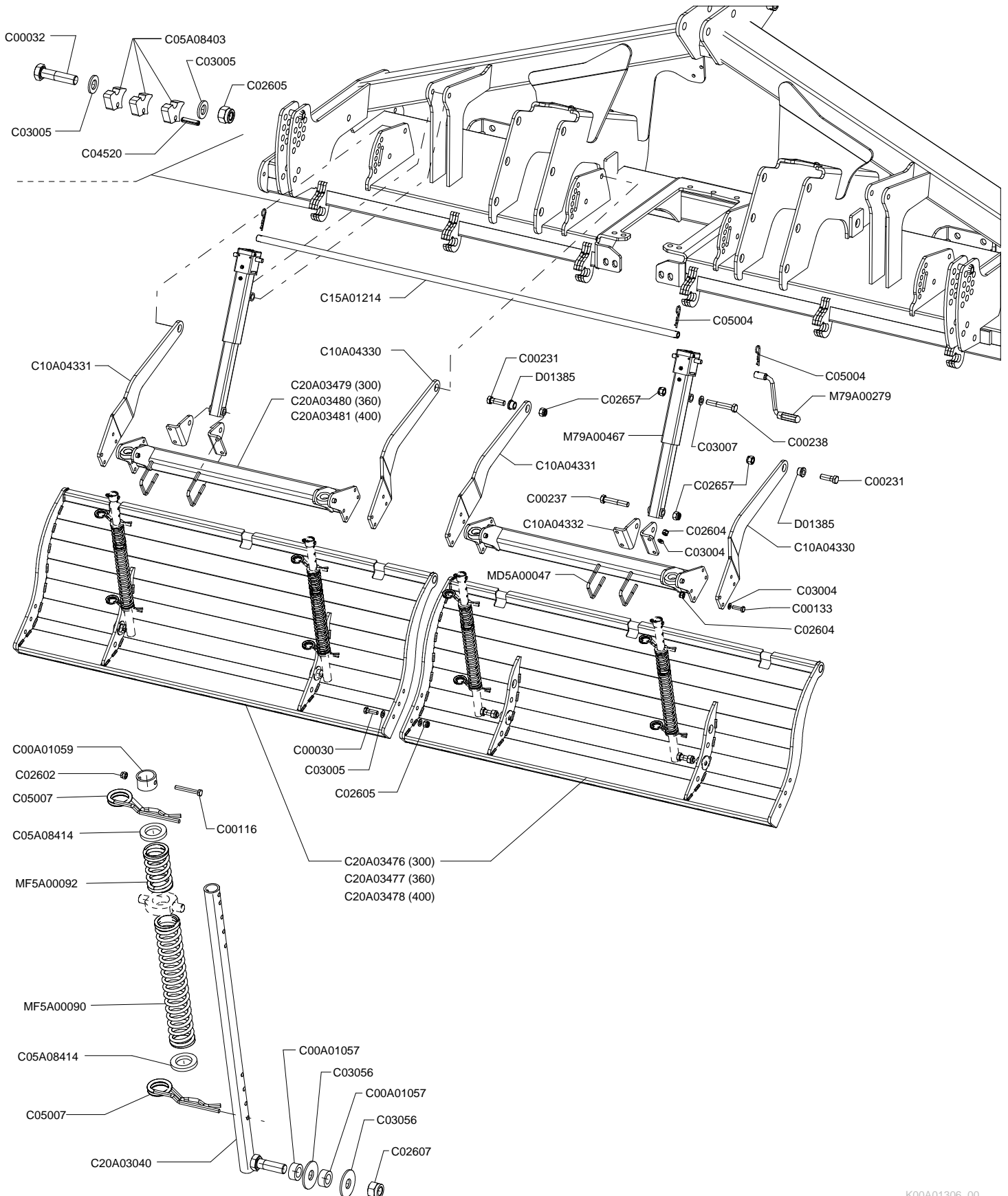
Flanke FZ

Drawing Code: **K00A01304_0**

Accessories:

N°	Code	Old.	Descrizione / Description
#	M80A00027	C00030	VITE TE 88 PG FP M12X40 ZINC UNI 5737
#	M80A00028	C00031	VITE TE 88 PG FP M12X45 ZINC UNI 5737
#	M80A00131	C00144	VITE TE 88 PG FT M12X40 ZINC UNI 5739
#	M80A00180	C00231	VITE TE 88 PF FP M16X1,5X50 ZINC UNI 5738
#	M80A00182	C00233	VITE TE 88 PF FP M16X1,5X60 ZINC UNI 573
#	M85A00058	C02505	DADO AUTOBLOC BASSO 8 PG M12 H=12 UNI 7474
#	M85A00078	C02605	DADO AUTOBLOC ALTO 8 M12 H=14 UNI 7473
#	M85A00089	C02657	DADO AUTOBLOC ALTO 8 M16X1,5 H=18 UNI 7473
#	M90A00008	C03005	RONDELLA PIANA D.13 DIN125-A ZINC.
#	C05A09185		FIANCATA ESTERNA FZ 12MM
#	C05A09186		FIANCATINA CONTENIMENTO EST. FZ/LZ/KZ 8MM
#	C10A04252		BANDELLA CONTENIMENTO DES FZ
#	C10A04253		BANDELLA CONTENIMENTO SIN FZ
#	C10A04254		LAMA RULLO INF. FZ I=913 2XD26 PIEGA 22/22
#	C15A00062	D01385	BUSSOLA D25/32 D.16,5 L.18,5 CARBON+ZINC
#	C15A00336	D04195	PROTEZ. SUPP. EST. FH LH (SP.25 MM)
#	M80A00483		BULLONE TTQST M12X30 UNI 5732 ZINC.

GB	FR	D	E
SCREW	VIS	SCHRAUBE	TORNILLO
SCREW	VIS	SCHRAUBE	TORNILLO
SCREW	VIS	SCHRAUBE	TORNILLO
SCREW	VIS	SCHRAUBE	TORNILLO
SCREW	VIS	SCHRAUBE	TORNILLO
NUT	BOULONS	NUT	DADO
NUT	BOULONS	NUT	DADO
NUT	BOULONS	NUT	DADO
WASHER	RONDELLE	UNTERLEGSCHIEBE	ARANDELLA
SIDE	LONG	NEBEN	JUNTO
SIDE	LONG	NEBEN	JUNTO
PLATE	BANDEAU	BLECH	BANDERA
PLATE	BANDEAU	BLECH	BANDERA
METAL PLATE	LAME	METALL-PLATTE	CUCHILLA
BUSHING	ENTRETOISE	BUCHSE	BRUJULA
PROTECTION	PROTECTION	SCHUTZ	PROTECCIÓN
BOLT	BOULON	FLANSCH	BRIDA



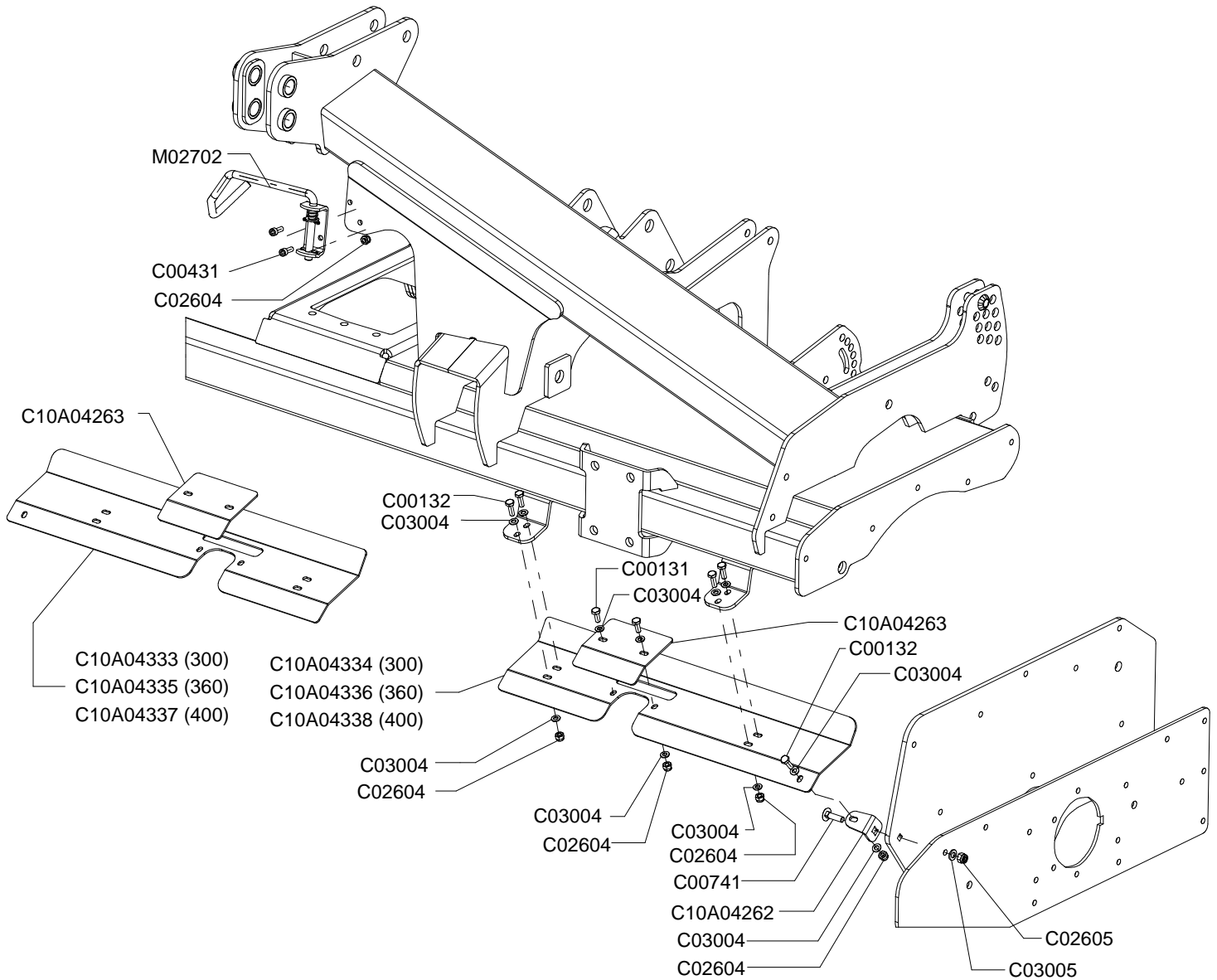


Cofani
 Bonnets
 Capots
 Abdeckhauben

Drawing Code: **K00A01306_0**

Accessories:

N°	Code	Old.	Descrizione / Description	GB	FR	D	E
#	M80A00027	C00030	VITE TE 88 PG FP M12X40 ZINC UNI 5737	SCREW	VIS	SCHRAUBE	TORNILLO
#	M80A00029	C00032	VITE TE 88 PG FP M12X50 ZINC UNI 5737	SCREW	VIS	SCHRAUBE	TORNILLO
#	M80A00106	C00116	VITE TE 88 PG FT M6X45 ZINC UNI 5739	SCREW	VIS	SCHRAUBE	TORNILLO
#	M80A00121	C00133	VITE TE 88 PG FT M10X35 ZINC UNI 5739	SCREW	VIS	SCHRAUBE	TORNILLO
#	M80A00180	C00231	VITE TE 88 PF FP M16X1,5X50 ZINC UNI 5738	SCREW	VIS	SCHRAUBE	TORNILLO
#	M80A00186	C00237	VITE TE 88 PF FP M16X1,5X90 ZINC UNI 573	SCREW	VIS	SCHRAUBE	TORNILLO
#	M80A00187	C00238	VITE TE 88 PF FP M16X1,5X100 ZINC UNI 57	SCREW	VIS	SCHRAUBE	TORNILLO
#	C00A01057		BUSSOLA D.28XD.16,5 L=12	BUSHING	ENTRETOISE	BUCHSE	BRUJULA
#	C00A01059		BUSSOLA D.38 XD28 L=20 CON FORO D.7 MOLLA COFANO FMC	BUSHING	ENTRETOISE	BUCHSE	BRUJULA
#	M85A00073	C02602	DADO AUTOBLOC ALTO 8 M6 H=7.8 UNI 7473	NUT	BOULONS	NUT	DADO
#	M85A00077	C02604	DADO AUTOBLOC ALTO 8 M10 H=11.5 UNI 7473	NUT	BOULONS	NUT	DADO
#	M85A00078	C02605	DADO AUTOBLOC ALTO 8 M12 H=14 UNI 7473	NUT	BOULONS	NUT	DADO
#	M85A00080	C02607	DADO AUTOBLOC ALTO 8 M16 H=18 UNI 7473	NUT	BOULONS	NUT	DADO
#	M85A00089	C02657	DADO AUTOBLOC ALTO 8 M16X1,5 H=18 UNI 7473	NUT	BOULONS	NUT	DADO
#	M90A00007	C03004	RONDELLA PIANA D.10,5 DIN125-A ZINC.	WASHER	RONDELLE	UNTERLEGSCHIEBE	ARANDELLA
#	M90A00008	C03005	RONDELLA PIANA D.13 DIN125-A ZINC.	WASHER	RONDELLE	UNTERLEGSCHIEBE	ARANDELLA
#	M90A00010	C03007	RONDELLA PIANA D.17 DIN125-A ZINC.	WASHER	RONDELLE	UNTERLEGSCHIEBE	ARANDELLA
#	M90A00031	C03056	RONDELLA PIANA D18XD48X3 UNI 6593 ZINC	WASHER	RONDELLE	UNTERLEGSCHIEBE	ARANDELLA
#	MB0A00012	C04520	SPINA ELASTICA D.6X25	SOCKET	GOUPILLE	STECKER	PASADOR
#	MB0A00087	C05004	SPINA A MOLLA D.4	SOCKET	GOUPILLE	STECKER	PASADOR
#	MB0A00090	C05007	SPINA A MOLLA D.6 DOPPIA SPIRA	SOCKET	GOUPILLE	STECKER	PASADOR
#	C05A08403		FERMO GANCIO COFANI FMC/FPC 10MM ZINC.	MECH. STOP	FERMETURE	MECH. SPERRUNG	PARADO
#	C05A08414		RONDELLA D.28 D.45 SP 6MM MOLLA COFANO FMC/FPC ZINC.	WASHER	RONDELLE	UNTERLEGSCHIEBE	ARANDELLA
#	C10A04330		LAMA DES. TELAIO REG.COFANI FZ	METAL PLATE	LAME	METALL-PLATTE	CUCHILLA
#	C10A04331		LAMA SIN. TELAIO REG.COFANI FZ	METAL PLATE	LAME	METALL-PLATTE	CUCHILLA
#	C10A04332		STAFFA MANOV.SU TUBO REG.COFANO FZ	BRACKET	SUPPORT	BUEGEL	SOPORTE
#	C15A01214		ASTA MANOVELLE CENTRALIZZATA FZ ZINC.	ROD	POLE	STIFT	POLOS
#	C20A03040		ASTA SALDATA PREMICOFANO FMC/FPC	ROD	POLE	STIFT	POLOS
#	C20A03476		COFANO FZ-300	BONNET	CAPOT	MOTORHAUBE	CAPÓ
#	C20A03477		COFANO FZ-360	BONNET	CAPOT	MOTORHAUBE	CAPÓ
#	C20A03478		COFANO FZ-400	BONNET	CAPOT	MOTORHAUBE	CAPÓ
#	C20A03479		TUBO SALDATO REGOLAZIONE COFANO FZ -300	TUBE	TUBE	ROHR	TUBO
#	C20A03480		TUBO SALDATO REGOLAZIONE COFANO FZ -360	TUBE	TUBE	ROHR	TUBO
#	C20A03481		TUBO SALDATO REGOLAZIONE COFANO FZ -400	TUBE	TUBE	ROHR	TUBO
#	C15A00062	D01385	BUSSOLA D25/32 D.16,5 L.18,5 CARBON+ZINC	BUSHING	ENTRETOISE	BUCHSE	BRUJULA
#	M79A00279		MANIGLIA PER MANOVELLA M79A00280 ZINC.BIANCA	HANDLE	MANILLE	GRIFF	MANGO
#	M79A00467		MANOVELLA SENZA MANIGLIA C.180 (400-580) ZINC.BIANCA	CRANK	MANIVELLE	SPINDEL	MANIVELA
#	MD5A00047		CAVALLOTTO QUADRO M10 T60X60X88	PIN	CAVALLIER	STIFT	CAVALLOTTI
#	MF5A00090		MOLLA COMPRESS. D.EST 43 D.F5.5 L=250	SPRING	RESSORT	FEDER	MUELLE
#	MF5A00092		MOLLA COMPRESS. D.EST 43 D.F5.5 L=75	SPRING	RESSORT	FEDER	MUELLE



K00A01307_01



KIT C.E.
KIT C.E.
KIT C.E.
KIT C.E.

Drawing Code: **K00A01307_1**

Accessories:

N°	Code	Old.	Descrizione / Description
#	M80A00118	C00131	VITE TE 88 PG FT M10X25 ZINC UNI 5739
#	M80A00120	C00132	VITE TE 88 PG FT M10X30 ZINC UNI 5739
#	M80A00244	C00431	VITE TCEI PG M10X30 ZINC UNI 5931
#	M80A00419	C00741	BULLONE TTQST M12X45 UNI 5732 ZINC
#	M85A00077	C02604	DADO AUTOBLOC ALTO 8 M10 H=11.5 UNI 7473
#	M85A00078	C02605	DADO AUTOBLOC ALTO 8 M12 H=14 UNI 7473
#	M90A00007	C03004	RONDELLA PIANA D.10,5 DIN125-A ZINC.
#	M90A00008	C03005	RONDELLA PIANA D.13 DIN125-A ZINC.
#	C10A04262		STAFFA LAT SUPP PROTEZ ANT FZ
#	C10A04263		PROTEZ. ANTER ROMPIRACCIA FZ
#	C10A04333		PROTEZIONE ANT.DES. FZ/LZ/KZ-300
#	C10A04334		PROTEZIONE ANT.SIN. FZ/LZ/KZ-300
#	C10A04335		PROTEZIONE ANT.DES. FZ/LZ/KZ-360
#	C10A04336		PROTEZIONE ANT.SIN. FZ/LZ/KZ-360
#	C10A04337		PROTEZIONE ANT.DES. FZ/LZ/KZ-400
#	C10A04338		PROTEZIONE ANT.SIN. FZ/LZ/KZ-400
#	M79A00013	M02702	GANCIO SUPP. CARDANO COMPL.***

GB	FR	D	E
SCREW	VIS	SCHRAUBE	TORNILLO
SCREW	VIS	SCHRAUBE	TORNILLO
SCREW	VIS	SCHRAUBE	TORNILLO
BOLT	BOULON	FLANSCH	BRIDA
NUT	BOULONS	NUT	DADO
NUT	BOULONS	NUT	DADO
WASHER	RONDELLE	UNTERLEGSCHLEIBE	ARANDELLA
WASHER	RONDELLE	UNTERLEGSCHLEIBE	ARANDELLA
BRACKET	SUPPORT	BUEGEL	SOPORTE
PROTECTION	PROTECTION	SCHUTZ	PROTECCIÓN
PROTECTION	PROTECTION	SCHUTZ	PROTECCIÓN
PROTECTION	PROTECTION	SCHUTZ	PROTECCIÓN
PROTECTION	PROTECTION	SCHUTZ	PROTECCIÓN
PROTECTION	PROTECTION	SCHUTZ	PROTECCIÓN
PROTECTION	PROTECTION	SCHUTZ	PROTECCIÓN
PROTECTION	PROTECTION	SCHUTZ	PROTECCIÓN
HOOK	ATTACHE	HAKEN	ENGANCHE

Cardano centrale

Central pto shaft

Arbre de transmission centrale

Zentralgelenkwelle

Drawing Code: **100622_1**

Accessories:

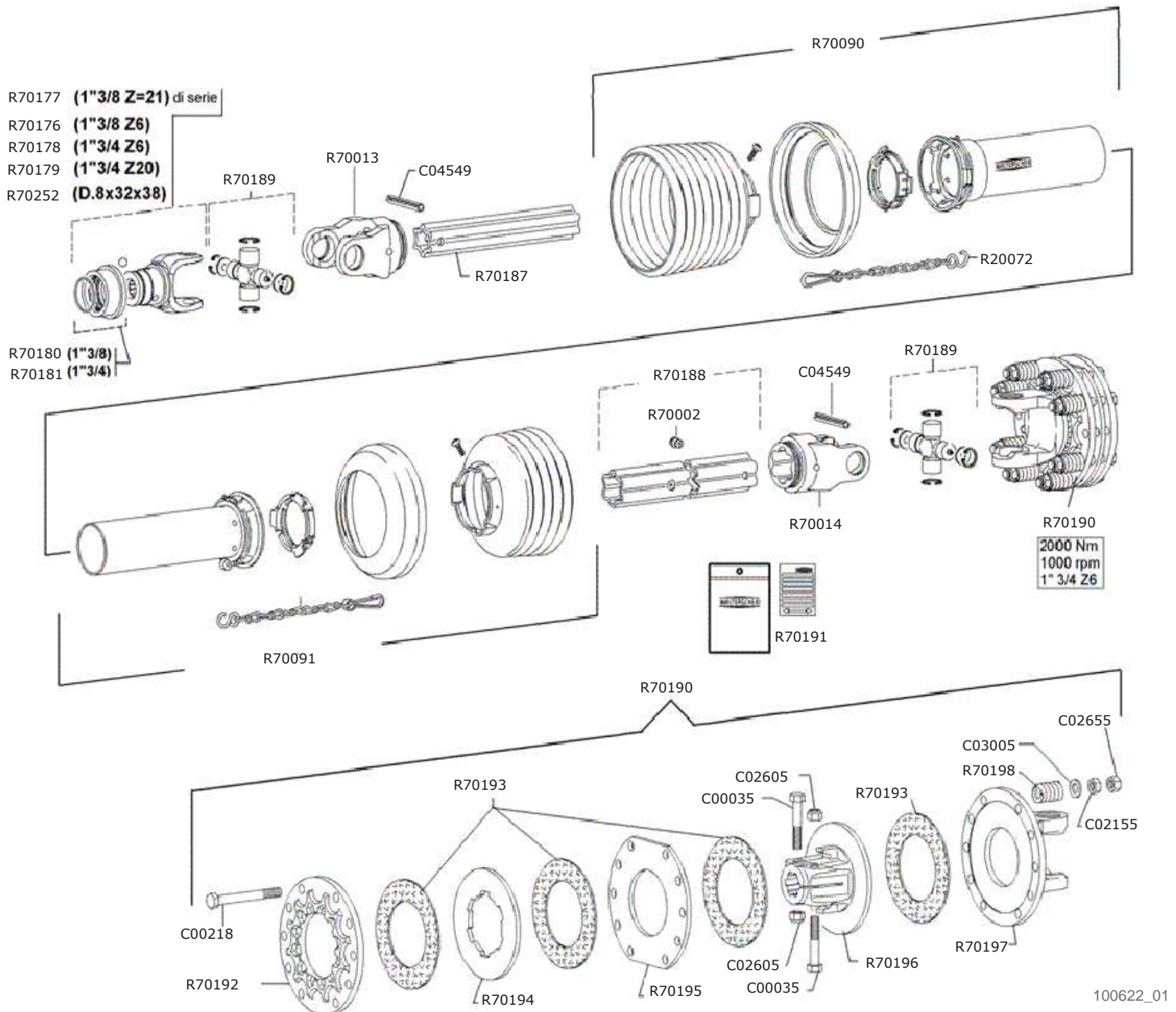
Codice cardano

Code pto shaft

Code de arbre de transmission

Code gelenkwelle

M01751W



100622_01



Cardano centrale

Central pto shaft

Arbre de transmission centrale

Zentralgelenkwelle

Drawing Code:

100622_1

Accessories:

N°	Code	Old.	Descrizione / Description
#	M80A00032	C00035	VITE TE 88 PG FP M12X70 ZINC UNI 5737
#	M80A00173	C00218	VITE TE 8.8 PF FP M12X1.25X120 UNI 5738
#	M85A00035	C02155	DADO NORMALE 8 PF M12X1,25 UNI 5588
#	M85A00078	C02605	DADO AUTOBLOC ALTO 8 M12 H=14 UNI 7473
#	M85A00087	C02655	DADO AUTOBLOC ALTO 8 M12X1,25 H=14 UNI 7473
#	M90A00008	C03005	RONDELLA PIANA D.13 DIN125-A ZINC.
#	MB0A00037	C04549	SPINA ELASTICA D.10X90
#	M70A00008	M01751W	"CARD. W2500-710 K90/4 1""3/4Z6 1""3/8Z21"
#	MH0A00021	R20072	CATENELLA FERMA PROTEZIONE CARDANO
#	MJ5A00012	R70002	INGRASSATORE A PRESSIONE D.4.6 WALTER.
#	M72A00086	R70013	FORCELLA RG2500 S4 WALTERSCHEID 097133
#	M72A00087	R70014	FORCELLA RG2500 S5 WAL. 097140 EST.STELL
#	G10A00099	R70090	PROT. CARD. ESTERNA SDH25-A550 375621
#	G10A00100	R70091	PROT. CARD. INTERNA SDH25-J550 375620
#	M72A00107	R70176	"FORCELLA RAPIDO ASG2500-1""3/8 Z=6"
#	M72A00108	R70177	"FORCELLA RAPIDO ASG2500-1""3/8 Z=21"
#	M72A00109	R70178	"FORCELLA RAPIDO ASG2500-1""3/4 Z=6"
#	M72A00110	R70179	"FORCELLA RAPIDO ASG2500-1""3/4 Z=20"
#	M25A00028	R70180	"COLLARE RAPIDO ""118 AS"" 1""3/8 AGRAS"
#	M25A00029	R70181	"COLLARE RAPIDO ""119 AS"" 1""3/4 AGRAS"
#	M73A00068	R70187	TUBO S4LH-560 TEMPRATO WALTERSCHEID 198835
#	M73A00069	R70188	TUBO S5-545 STANDARD 119647
#	M71A00014	R70189	"CROCIERA COMPL WALT.2500 ""LONG LIFE 250H"""
#	M75A00108	R70190	"FRIZIONE COMPL K90/4-2000- 1""3/4 Z6"
#	Q15A00472	R70191	ADESIVO ISTRUZIONI WALTERSCHEID 120777
#	C15A00948	R70192	DISCO DI PRESSIONE K90/4
#	G15A00009	R70193	DISCO ATTRITO 150X91X3 K90/4
#	C15A00949	R70194	DISCO INTERNO D.151.5X80.5X7 K90/4
#	C15A00950	R70195	DISCO INTERNO D.189X91X7 K90/4
#	M75A00109	R70196	"MOZZO K90/4 1""3/4 Z6"
#	M72A00115	R70197	FORCELLA A FLANGIA KG-K90-2500
#	MF5A00063	R70198	MOLLA DI COMPRESSIONE K90/4
#	M72A00124	R70252	FORCELLA ASG2500 D8X32X38 (RUSSIA)

GB	FR	D	E
SCREW	VIS	SCHRAUBE	TORNILLO
SCREW	VIS	SCHRAUBE	TORNILLO
NUT	BOULONS	NUT	DADO
NUT	BOULONS	NUT	DADO
NUT	BOULONS	NUT	DADO
WASHER	RONDELLE	UNTERLEGSSCHEIBE	ARANDELLA
SOCKET	GOUPILLE	STECKER	PASADOR
UNIVERSAL JOINT	CARDAN	GELLENKWELLE	CARDAN
CHAIN	CHAINE	KETTE	CADENA
GREASE NIPPLE	GRAISSOR	FETTBUCHSE	ENGRASADOR
FORK	MACHOIRE	GABEL	HORQUILLA
FORK	MACHOIRE	GABEL	HORQUILLA
PROTECTION	PROTECTION	SCHUTZ	PROTECCIÓN
PROTECTION	PROTECTION	SCHUTZ	PROTECCIÓN
FORK	MACHOIRE	GABEL	HORQUILLA
FORK	MACHOIRE	GABEL	HORQUILLA
FORK	MACHOIRE	GABEL	HORQUILLA
FORK	MACHOIRE	GABEL	HORQUILLA
METAL RING	COLLARE	METALLRING	COLLAR
METAL RING	COLLARE	METALLRING	COLLAR
TUBE	TUBE	ROHR	TUBO
TUBE	TUBE	ROHR	TUBO
CRUISE	CROISIÈRE	CRUISE	CRUISE
CLUTCH	EMBAYAGE	KUPPLUNG	EMBRAGUE
STICKER	ADHESIF	AUFKLEBER	ADHESIVOS
DISC	DISQUE	SCHEIBE	DISCO
DISC	DISQUE	SCHEIBE	DISCO
DISC	DISQUE	SCHEIBE	DISCO
DISC	DISQUE	SCHEIBE	DISCO
HUB	ESSIEU	NABE	MAZO
FORK	MACHOIRE	GABEL	HORQUILLA
SPRING	RESSORT	FEDER	MUELLE
FORK	MACHOIRE	GABEL	HORQUILLA

Rullo spiral SP5N (2015)

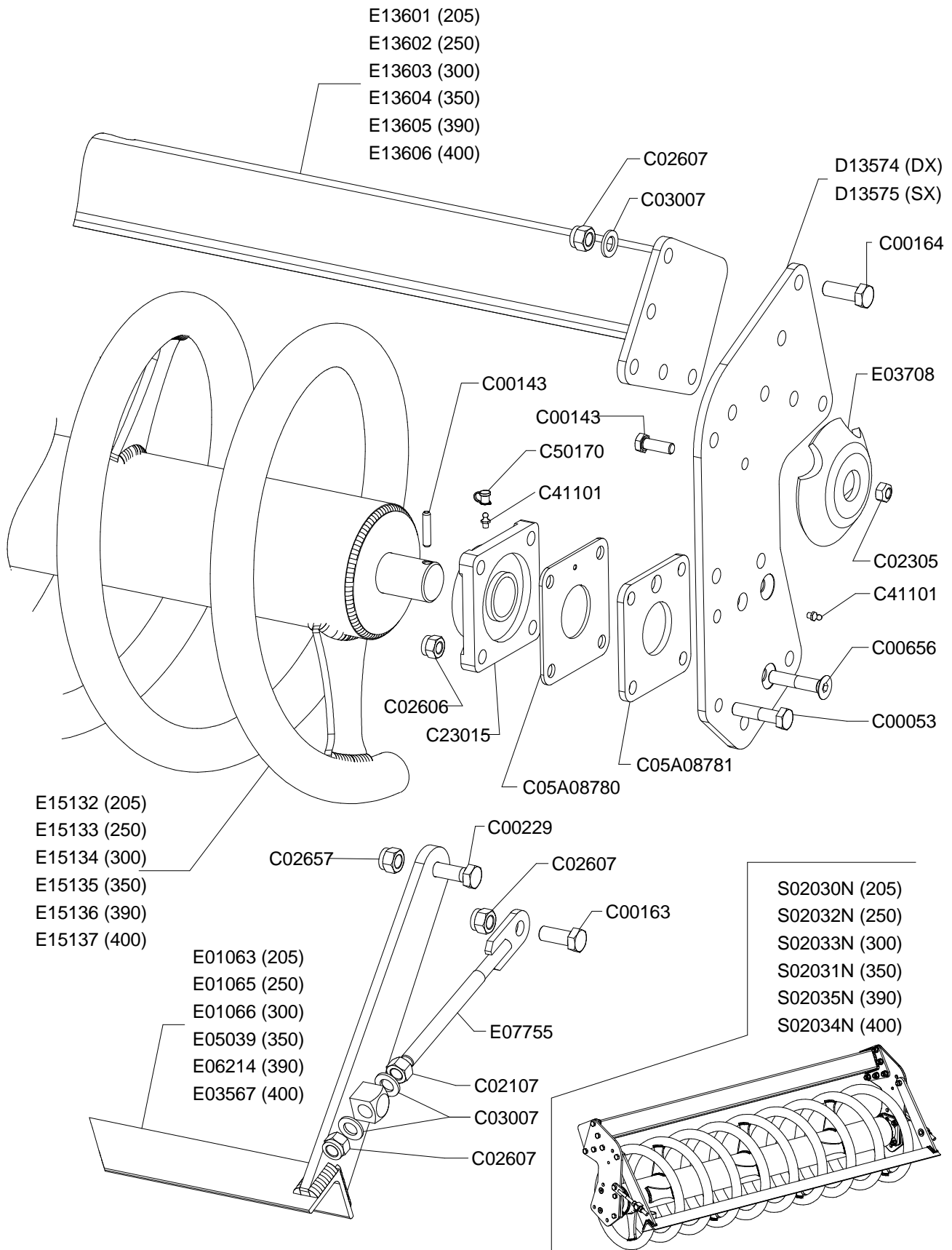
Spiral roller SP5N (2015)

Rouleau spiral SP5N (2015)

Spiral walze SP5N (2015)

Drawing Code: **100874_1**

Accessories: S00A00021 - S00A00023 - S00A00025 - S00A00028 - S00A00030 - S00A00032



100874_01



Rullo spiral SP5N (2015)

Spiral roller SP5N (2015)

Rouleau spiral SP5N (2015)

Spiral walze SP5N (2015)

Drawing Code: **100874_1**

Accessories: S00A00021 - S00A00023 - S00A00025 - S00A00028 - S00A00030 - S00A00032

N°	Code	Old.	Descrizione / Description	GB	FR	D	E
#	M80A00046	C00053	VITE TE 88 PG FP M14X60 ZINC UNI 5737	SCREW	VIS	SCHRAUBE	TORNILLO
#	M80A00130	C00143	VITE TE 88 PG FT M12X35 ZINC UNI 5739	SCREW	VIS	SCHRAUBE	TORNILLO
#	M80A00149	C00163	VITE TE 88 PG FT M16X40 ZINC UNI 5739	SCREW	VIS	SCHRAUBE	TORNILLO
#	M80A00150	C00164	VITE TE 88 PG FT M16X45 ZINC UNI 5739	SCREW	VIS	SCHRAUBE	TORNILLO
#	M80A00179	C00229	VITE TE 10.9 M16X1,5X45 ZINC F25	SCREW	VIS	SCHRAUBE	TORNILLO
#	M80A00300	C00656	VITE TSPEI 10.9 PG M14X60 ZINC UNI 5933	SCREW	VIS	SCHRAUBE	TORNILLO
#	M85A00030	C02107	DADO NORMALE 8 PG M16 UNI 5588 ZINC	NUT	BOULONS	NUT	DADO
#	M85A00050	C02305	DADO METALBLOC M12 X 1.75	NUT	BOULONS	NUT	DADO
#	M85A00079	C02606	DADO AUTOBLOC ALTO 8 M14 H=16 UNI 7473	NUT	BOULONS	NUT	DADO
#	M85A00080	C02607	DADO AUTOBLOC ALTO 8 M16 H=18 UNI 7473	NUT	BOULONS	NUT	DADO
#	M85A00089	C02657	DADO AUTOBLOC ALTO 8 M16X1,5 H=18 UNI 7473	NUT	BOULONS	NUT	DADO
#	M90A00010	C03007	RONDELLA PIANA D.17 DIN125-A ZINC.	WASHER	RONDELLE	UNTERLEGSCHLEIBE	ARANDELLA
#	C05A08780		SCHERMO PIANO UCF-209 4MM	SCREEN	ECRAN	SCHIRM	PANTALLA
#	C05A08781		DISTANZIALE PIANO UCF 209 SP.8MM INGRAS.MAGG.	SPACER	ENTRETOISE	ABSTANDSTUECK	ESPACIADORES
#	M30A00007	C23015	SUPPORTO UCF 209	SUPPORT	SUPPORT	STUTZE	APOYO
#	MJ5A00001	C41101	INGRASSATORE M6X1 DIRITTO	GREASE NIPPLE	GRAISSOR	FETTBUCHSE	ENGRASADOR
#	G00A00001	C50170	PROTEZIONE INGRASSATORE D.6MM ROSSO	PROTECTION	PROTECTION	SCHUTZ	PROTECCIÓN
#	C15A00711	D13574	FIANCATA IMBULLONATA DESTRA RULLO SERIE 5	SIDE	LONG	NEBEN	JUNTO
#	C15A00712	D13575	FIANCATA IMBULLONATA SINISTRA RULLO SERIE 5	SIDE	LONG	NEBEN	JUNTO
#	C20A00087	E01063	TELAIO RASCHIATORE 205	FRAME	CHASSIS	RAHMEN	MARCO
#	C20A00089	E01065	TELAIO RASCHIATORE 250	FRAME	CHASSIS	RAHMEN	MARCO
#	C20A00090	E01066	TELAIO RASCHIATORE 300	FRAME	CHASSIS	RAHMEN	MARCO
#	C20A00652	E03567	TELAIO RASCHIATORE 400	FRAME	CHASSIS	RAHMEN	MARCO
#	C20A00698	E03708	TAMPONE CENTRALE RULLI DOPPI D.145X30	BUFFER	PRESSE	STOPFEN	TAMPON
#	C20A00950	E05039	TELAIO RASCHIATORE 350	FRAME	CHASSIS	RAHMEN	MARCO
#	C20A01139	E06214	TELAIO RASCHIATORE SP-390 (DX-800)	FRAME	CHASSIS	RAHMEN	MARCO
#	C20A01375	E07755	TIRANTE RASCHIATORE M16 CON PIASTRINA	TIE ROD	TIRANT	ZUGSTANGE	TIRANTE
#	C20A02117	E13601	TELAIO RULLO IMBULLONATO 200 SERIE 5	FRAME	CHASSIS	RAHMEN	MARCO
#	C20A02118	E13602	TELAIO RULLO IMBULLONATO 250 SERIE 5	FRAME	CHASSIS	RAHMEN	MARCO
#	C20A02119	E13603	TELAIO RULLO IMBULLONATO 300 SERIE 5	FRAME	CHASSIS	RAHMEN	MARCO
#	C20A02120	E13604	TELAIO RULLO IMBULLONATO 350 SERIE 5	FRAME	CHASSIS	RAHMEN	MARCO
#	C20A02121	E13605	TELAIO RULLO IMBULLONATO 390 SERIE 5	FRAME	CHASSIS	RAHMEN	MARCO
#	C20A02122	E13606	TELAIO RULLO IMBULLONATO 400 SERIE 5	FRAME	CHASSIS	RAHMEN	MARCO
#	C20A02356	E15132	RULLO SPIRAL SP5N-205	ROLLER	ROULEAU	WALZE	RODILLO
#	C20A02357	E15133	RULLO SPIRAL SP5N-250	ROLLER	ROULEAU	WALZE	RODILLO
#	C20A02358	E15134	RULLO SPIRAL SP5N-300	ROLLER	ROULEAU	WALZE	RODILLO
#	C20A02359	E15135	RULLO SPIRAL SP5N-350	ROLLER	ROULEAU	WALZE	RODILLO
#	C20A02360	E15136	RULLO SPIRAL SP5N-390 (DX-800)	ROLLER	ROULEAU	WALZE	RODILLO
#	C20A02361	E15137	RULLO SPIRAL SP5N-400	ROLLER	ROULEAU	WALZE	RODILLO
#	S00A00021	S02030N	RULLO SPIRAL SP5N 205 D.520 COMPLETO	ROLLER	ROULEAU	WALZE	RODILLO
#	S00A00023	S02031N	RULLO SPIRAL SP5N 350 D.520 COMPLETO	ROLLER	ROULEAU	WALZE	RODILLO
#	S00A00025	S02032N	RULLO SPIRAL SP5N 250 D.520 COMPLETO	ROLLER	ROULEAU	WALZE	RODILLO
#	S00A00028	S02033N	RULLO SPIRAL SP5N 300 D.520 COMPLETO	ROLLER	ROULEAU	WALZE	RODILLO
#	S00A00030	S02034N	RULLO SPIRAL SP5N 400 D.520 COMPLETO	ROLLER	ROULEAU	WALZE	RODILLO
#	S00A00032	S02035N	RULLO SPIRAL SP5N 390 DX D.520 COMPLETO	ROLLER	ROULEAU	WALZE	RODILLO

Rullo packer PK5N (2015)

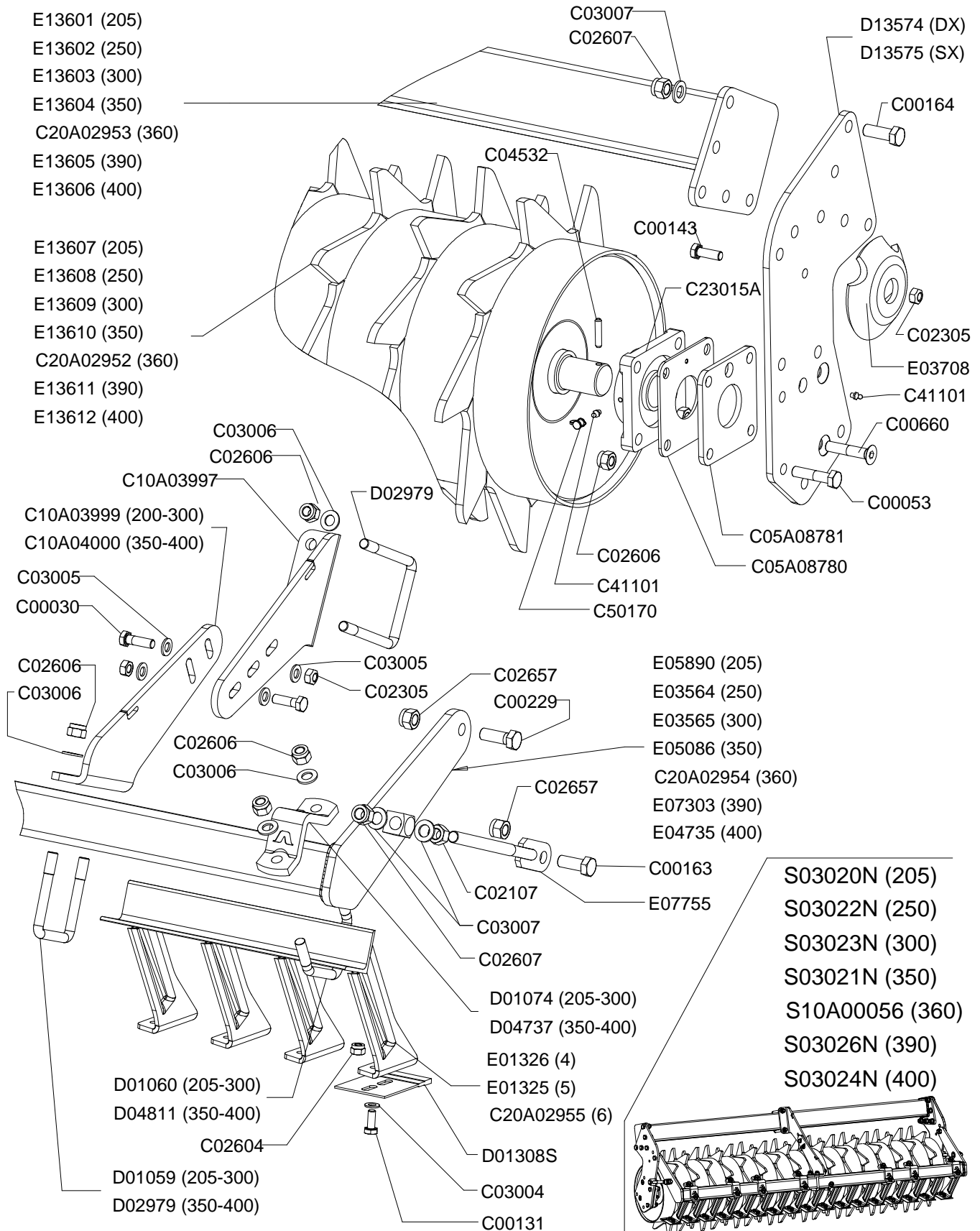
Packer roller PK5N (2015)

Rouleau packer PK5N (2015)

Packer walze PK5N (2015)

Drawing Code: **K00A01166_1**

Accessories: S10A00024 - S10A00028 - S10A00032 - S10A00036 - S10A00040 - S10A00045 - S10A00056



K00A01166_01



Rullo packer PK5N (2015)

Packer roller PK5N (2015)

Rouleau packer PK5N (2015)

Packer walze PK5N (2015)

Drawing Code: **K00A01166_1**

Accessories: S10A00024 - S10A00028 - S10A00032 - S10A00036 - S10A00040 - S10A00045 - S10A00056

N°	Code	Old.	Descrizione / Description	GB	FR	D	E
#	M80A00027	C00030	VITE TE 88 PG FP M12X40 ZINC UNI 5737	SCREW	VIS	SCHRAUBE	TORNILLO
#	M80A00046	C00053	VITE TE 88 PG FP M14X60 ZINC UNI 5737	SCREW	VIS	SCHRAUBE	TORNILLO
#	M80A00118	C00131	VITE TE 88 PG FT M10X25 ZINC UNI 5739	SCREW	VIS	SCHRAUBE	TORNILLO
#	M80A00130	C00143	VITE TE 88 PG FT M12X35 ZINC UNI 5739	SCREW	VIS	SCHRAUBE	TORNILLO
#	M80A00149	C00163	VITE TE 88 PG FT M16X40 ZINC UNI 5739	SCREW	VIS	SCHRAUBE	TORNILLO
#	M80A00150	C00164	VITE TE 88 PG FT M16X45 ZINC UNI 5739	SCREW	VIS	SCHRAUBE	TORNILLO
#	M80A00179	C00229	VITE TE 10.9 M16X1,5X45 ZINC F25	SCREW	VIS	SCHRAUBE	TORNILLO
#	M80A00304	C00660	VITE TSPEI 10.9 PG M14X70 UNI 5933	SCREW	VIS	SCHRAUBE	TORNILLO
#	M85A00030	C02107	DADO NORMALE 8 PG M16 UNI 5588 ZINC	NUT	BOULONS	NUT	DADO
#	M85A00050	C02305	DADO METALBLOC M12 X 1.75	NUT	BOULONS	NUT	DADO
#	M85A00077	C02604	DADO AUTOBLOC ALTO 8 M10 H=11.5 UNI 7473	NUT	BOULONS	NUT	DADO
#	M85A00079	C02606	DADO AUTOBLOC ALTO 8 M14 H=16 UNI 7473	NUT	BOULONS	NUT	DADO
#	M85A00080	C02607	DADO AUTOBLOC ALTO 8 M16 H=18 UNI 7473	NUT	BOULONS	NUT	DADO
#	M85A00089	C02657	DADO AUTOBLOC ALTO 8 M16X1,5 H=18 UNI 7473	NUT	BOULONS	NUT	DADO
#	M90A00007	C03004	RONDELLA PIANA D.10,5 DIN125-A ZINC.	WASHER	RONDELLE	UNTERLEGSCHIEBE	ARANDELLA
#	M90A00008	C03005	RONDELLA PIANA D.13 DIN125-A ZINC.	WASHER	RONDELLE	UNTERLEGSCHIEBE	ARANDELLA
#	M90A00009	C03006	RONDELLA PIANA D.15 DIN125-A ZINC.	WASHER	RONDELLE	UNTERLEGSCHIEBE	ARANDELLA
#	M90A00010	C03007	RONDELLA PIANA D.17 DIN125-A ZINC.	WASHER	RONDELLE	UNTERLEGSCHIEBE	ARANDELLA
#	MB0A00021	C04532	SPINA ELASTICA D.8X40	SOCKET	GOUPILLE	STECKER	PASADOR
#	C05A08780		SCHERMO PIANO UCF-209 4MM	SCREEN	ECRAN	SCHIRM	PANTALLA
#	C05A08781		DISTANZIALE PIANO UCF 209 SP.8MM INGRAS.MAGG.	SPACER	ENTRETOISE	ABSTANDSTUECK	ESPACIADORES
#	C10A03997		RINFORZO ANT. PULIRULLO P5/P51/PK5/PK6	REINFORCEMENT	RENFORT	VERSTAERKUNG	REFUERZO
#	C10A03999		RINFORZO POST. PULIRULLO P51/PK5 TUBO 70X70	REINFORCEMENT	RENFORT	VERSTAERKUNG	REFUERZO
#	C10A04000		RINFORZO POST. PULIRULLO P51/PK TUBO 100X100	REINFORCEMENT	RENFORT	VERSTAERKUNG	REFUERZO
#	C20A02952		RULLO PAKER IMBULLONATO PK5-360	ROLLER	ROULEAU	WALZE	RODILLO
#	C20A02953		TELAIO RULLO IMBULLONATO 360 SERIE 5	FRAME	CHASSIS	RAHMEN	MARCO
#	C20A02954		TELAIO PORTA SPATOLE PK5-360	FRAME	CHASSIS	RAHMEN	MARCO
#	C20A02955		PETTINE DA 6 ***	COMB	HERSE	KAMM	PEINE
#	M30A00008	C23015A	SUPPORTO UCF 209 CLASSE A	SUPPORT	SUPPORT	STUTZE	APOYO
#	MJ5A00001	C41101	INGRASSATORE M6X1 DIRITTO	GREASE NIPPLE	GRAISSOR	FETTBUCHSE	ENGRASADOR
#	G00A00001	C50170	PROTEZIONE INGRASSATORE D.6MM ROSSO	PROTECTION	PROTECTION	SCHUTZ	PROTECCIÓN
#	MD5A00002	D01059	CAVALLOTTO QUADRO M14 T70X70X105	PIN	CAVALLIER	STIFT	CAVALLOTTI
#	MD5A00003	D01060	CAVALLOTTO DIAGONALE M14 70X70	PIN	CAVALLIER	STIFT	CAVALLOTTI
#	C10A01096	D01074	MORSETTO DIAGONALE 70X70***	TERMINAL	TERMINAL	TERMINAL	TERMINALES
#	MK0A00028	D01308S	SPATOLA PULIRULLO PK ANTIUSURA	SPATULA	Spatules	SPACHTEL	ESPÁTULASS
#	MD5A00010	D02979	CAVALLOTTO QUADRO M14 T100X100X135	PIN	CAVALLIER	STIFT	CAVALLOTTI
#	C10A01502	D04737	MORSETTO DIAGONALE TUBO 100 l=150 ***	TERMINAL	TERMINAL	TERMINAL	TERMINALES
#	MD5A00015	D04811	CAVALLOTTO DIAGONALE M14 100X100	PIN	CAVALLIER	STIFT	CAVALLOTTI
#	C15A00711	D13574	FIANCATA IMBULLONATA DESTRA RULLO SERIE 5	SIDE	LONG	NEBEN	JUNTO
#	C15A00712	D13575	FIANCATA IMBULLONATA SINISTRA RULLO SERIE 5	SIDE	LONG	NEBEN	JUNTO
#	C20A00159	E01325	PETTINE DA 5 ***	COMB	HERSE	KAMM	PEINE
#	C20A00161	E01326	PETTINE DA 4 ***	COMB	HERSE	KAMM	PEINE
#	C20A00649	E03564	TELAIO PORTA SPATOLE PK4-250	FRAME	CHASSIS	RAHMEN	MARCO
#	C20A00650	E03565	TELAIO PORTA SPATOLE PK4-300 ***	FRAME	CHASSIS	RAHMEN	MARCO
#	C20A00698	E03708	TAMPONE CENTRALE RULLI DOPPI D.145X30	BUFFER	PRESSE	STOPFEN	TAMPON
#	C20A00894	E04735	TELAIO PORTA SPATOLE PK4-400 100X100	FRAME	CHASSIS	RAHMEN	MARCO
#	C20A01079	E05890	TELAIO PORTA SPATOLE PK4-205	FRAME	CHASSIS	RAHMEN	MARCO
#	C20A01320	E07303	TELAIO PORTA SPATOLE PK4-390 100X100	FRAME	CHASSIS	RAHMEN	MARCO
#	C20A01375	E07755	TIRANTE RASCHIATORE M16 CON PIASTRINA	TIE ROD	TIRANT	ZUGSTANGE	TIRANTE

Copyright © 2009 Alpego s.p.a. ®

Tutti i diritti sono riservati. È vietata espressamente la ristampa o l'uso non autorizzato senza permesso scritto dalla Alpego s.p.a.

Tous droits réservés. Toute réimpression ou utilisation non autorisée sans la permission écrite de la Alpego s.p.a. est formellement interdite

Alle Rechte vorbehalten. Nachdruck, Vervielfältigung und Verbreitung, auch auszugsweise, ist ohne schriftliche Genehmigung der Alpego s.p.a.

Al rights reserved. Any reprinting or unauthorized use without the written permission of Alpego s.p.a. is expressly prohibited

Todos los derechos reservados. Toda reproducción o uso no autorizado sin el consentimiento escrito de Alpego s.p.a. quedan expresamente prohibidos

04/07/2016

Rullo packer PK5N (2015)

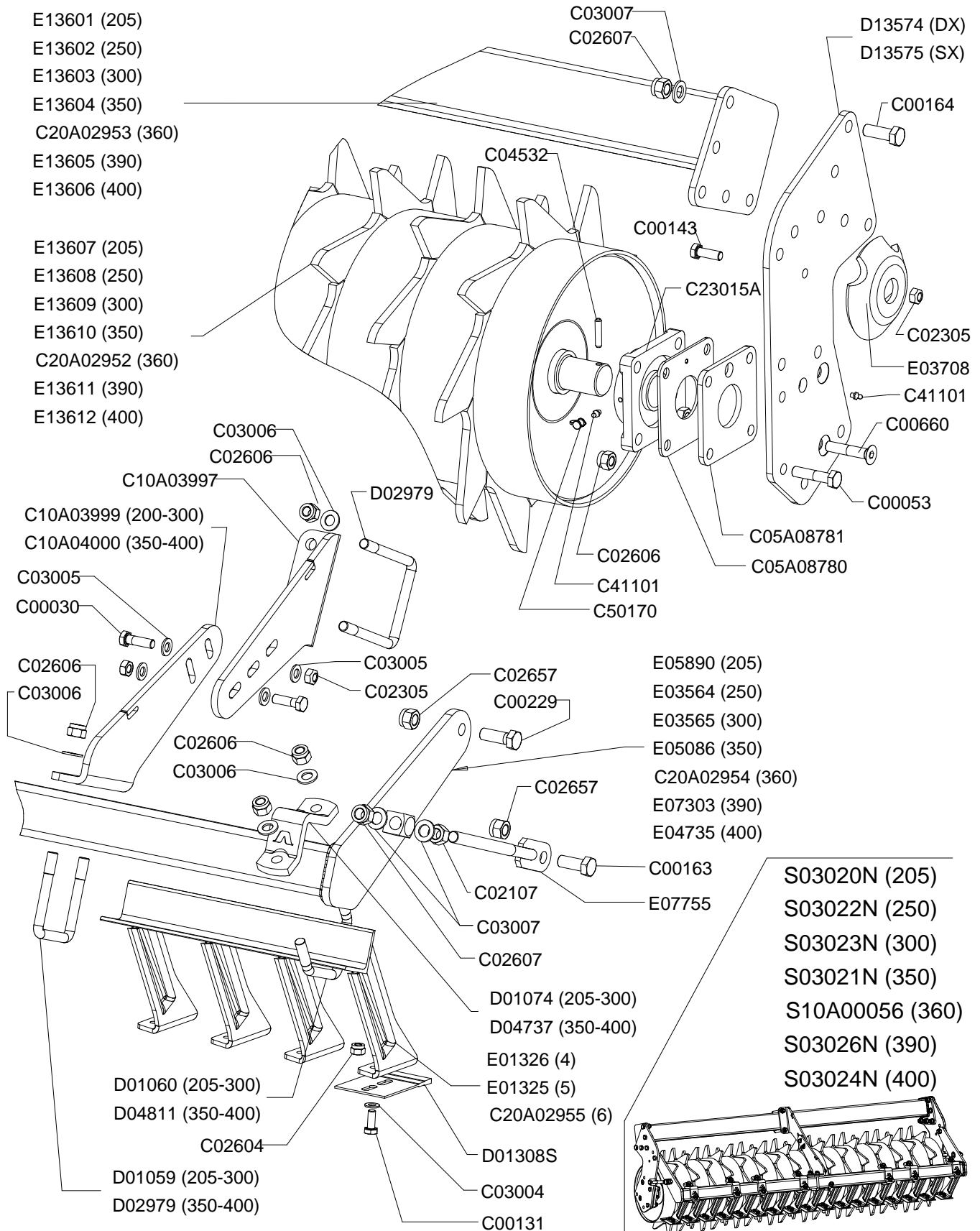
Packer roller PK5N (2015)

Rouleau packer PK5N (2015)

Packer walze PK5N (2015)

Drawing Code: **K00A01166_1**

Accessories: S10A00024 - S10A00028 - S10A00032 - S10A00036 - S10A00040 - S10A00045 - S10A00056



K00A01166_01



Rullo packer PK5N (2015)

Packer roller PK5N (2015)

Rouleau packer PK5N (2015)

Packer walze PK5N (2015)

Drawing Code: **K00A01166_1**

Accessories: S10A00024 - S10A00028 - S10A00032 - S10A00036 - S10A00040 - S10A00045 - S10A00056

N°	Code	Old.	Descrizione / Description	GB	FR	D	E
#	C20A02117	E13601	TELAIO RULLO IMBULLONATO 200 SERIE 5	FRAME	CHASSIS	RAHMEN	MARCO
#	C20A02118	E13602	TELAIO RULLO IMBULLONATO 250 SERIE 5	FRAME	CHASSIS	RAHMEN	MARCO
#	C20A02119	E13603	TELAIO RULLO IMBULLONATO 300 SERIE 5	FRAME	CHASSIS	RAHMEN	MARCO
#	C20A02120	E13604	TELAIO RULLO IMBULLONATO 350 SERIE 5	FRAME	CHASSIS	RAHMEN	MARCO
#	C20A02121	E13605	TELAIO RULLO IMBULLONATO 390 SERIE 5	FRAME	CHASSIS	RAHMEN	MARCO
#	C20A02122	E13606	TELAIO RULLO IMBULLONATO 400 SERIE 5	FRAME	CHASSIS	RAHMEN	MARCO
#	C20A02123	E13607	RULLO PAKER IMBULLONATO PK5-205	ROLLER	ROULEAU	WALZE	RODILLO
#	C20A02124	E13608	RULLO PAKER IMBULLONATO PK5-250	ROLLER	ROULEAU	WALZE	RODILLO
#	C20A02125	E13609	RULLO PAKER IMBULLONATO PK5-300	ROLLER	ROULEAU	WALZE	RODILLO
#	C20A02126	E13610	RULLO PAKER IMBULLONATO PK4-350	ROLLER	ROULEAU	WALZE	RODILLO
#	C20A02127	E13611	RULLO PAKER IMBULLONATO PK4-390	ROLLER	ROULEAU	WALZE	RODILLO
#	C20A02128	E13612	RULLO PAKER IMBULLONATO PK4-400	ROLLER	ROULEAU	WALZE	RODILLO
#	S10A00024	S03020N	RULLO PACKER PK5-205 D.520	ROLLER	ROULEAU	WALZE	RODILLO
#	S10A00028	S03021N	RULLO PACKER PK5-350 D.520	ROLLER	ROULEAU	WALZE	RODILLO
#	S10A00032	S03022N	RULLO PACKER PK5-250 D.520	ROLLER	ROULEAU	WALZE	RODILLO
#	S10A00036	S03023N	RULLO PACKER PK5-300 D.520	ROLLER	ROULEAU	WALZE	RODILLO
#	S10A00040	S03024N	RULLO PACKER PK5-400 D.520	ROLLER	ROULEAU	WALZE	RODILLO
#	S10A00045	S03026N	RULLO PACKER PK5-390 D.520 - DX800	ROLLER	ROULEAU	WALZE	RODILLO
#	S10A00056		RULLO PACKER PK5-360 D.520	ROLLER	ROULEAU	WALZE	RODILLO

Rullo packer PK6N (2015)

Packer roller PK6N (2015)

Rouleau packer PK6N (2015)

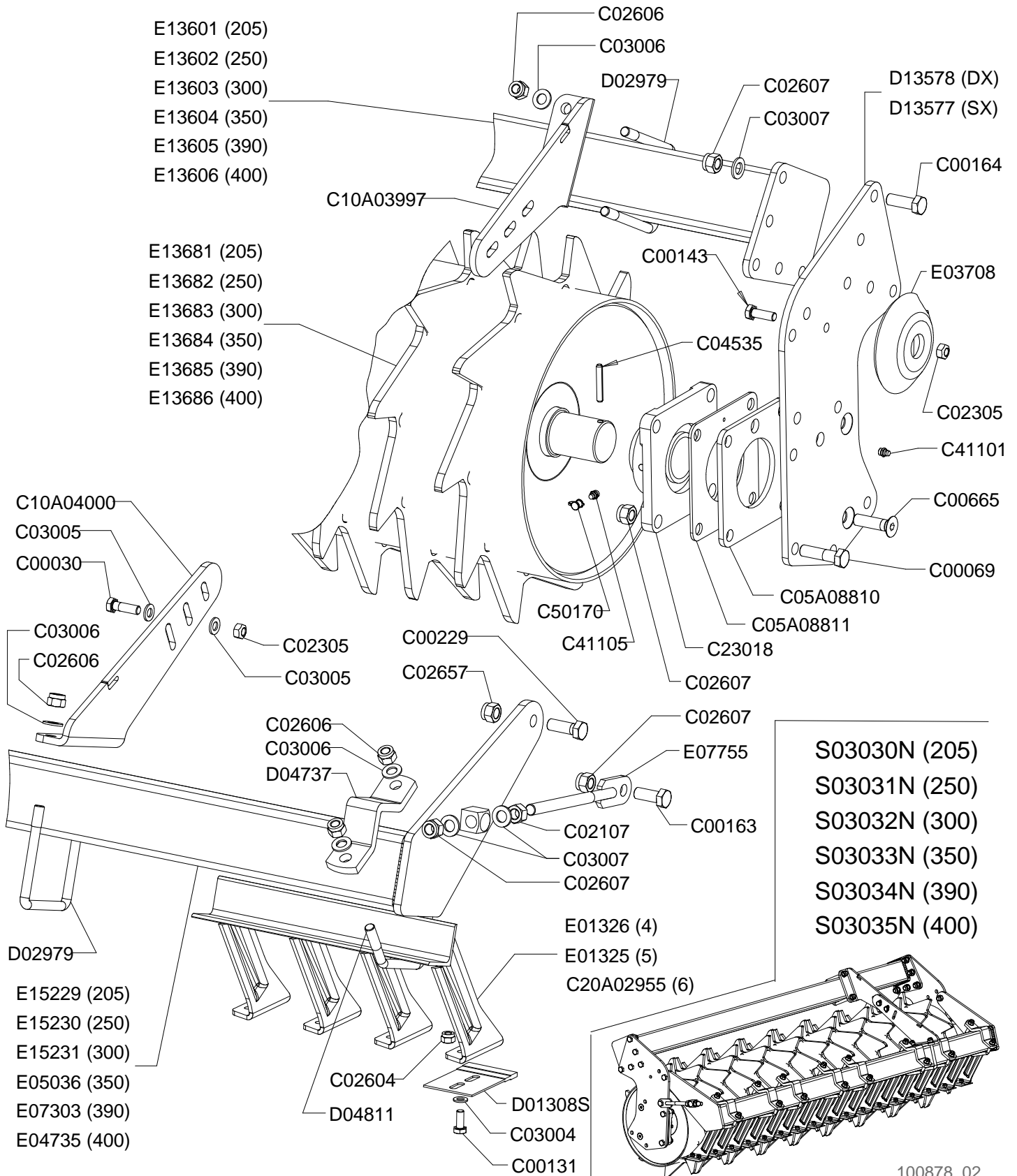
Packer walze PK6N (2015)

Drawing Code:

100878_2

Accessories:

S10A00048 - S10A00050 - S10A00052 - S10A00053 - S10A00054 - S10A00055



100878_02



Rullo packer PK6N (2015)

Packer roller PK6N (2015)

Rouleau packer PK6N (2015)

Packer walze PK6N (2015)

Drawing Code: **100878_2**

Accessories: S10A00048 - S10A00050 - S10A00052 - S10A00053 - S10A00054 - S10A00055

N°	Code	Old.	Descrizione / Description	GB	FR	D	E
#	M80A00027	C00030	VITE TE 88 PG FP M12X40 ZINC UNI 5737	SCREW	VIS	SCHRAUBE	TORNILLO
#	M80A00062	C00069	VITE TE 88 PG FP M16x60 ZINC UNI 5737	SCREW	VIS	SCHRAUBE	TORNILLO
#	M80A00118	C00131	VITE TE 88 PG FT M10X25 ZINC UNI 5739	SCREW	VIS	SCHRAUBE	TORNILLO
#	M80A00130	C00143	VITE TE 88 PG FT M12X35 ZINC UNI 5739	SCREW	VIS	SCHRAUBE	TORNILLO
#	M80A00149	C00163	VITE TE 88 PG FT M16X40 ZINC UNI 5739	SCREW	VIS	SCHRAUBE	TORNILLO
#	M80A00150	C00164	VITE TE 88 PG FT M16X45 ZINC UNI 5739	SCREW	VIS	SCHRAUBE	TORNILLO
#	M80A00179	C00229	VITE TE 10.9 M16X1,5X45 ZINC F25	SCREW	VIS	SCHRAUBE	TORNILLO
#	M80A00309	C00665	VITE TSPEI 10.9 PG M16X60 ZINC UNI 5933	SCREW	VIS	SCHRAUBE	TORNILLO
#	M85A00030	C02107	DADO NORMALE 8 PG M16 UNI 5588 ZINC	NUT	BOULONS	NUT	DADO
#	M85A00050	C02305	DADO METALBLOC M12 X 1.75	NUT	BOULONS	NUT	DADO
#	M85A00077	C02604	DADO AUTOBLOC ALTO 8 M10 H=11.5 UNI 7473	NUT	BOULONS	NUT	DADO
#	M85A00079	C02606	DADO AUTOBLOC ALTO 8 M14 H=16 UNI 7473	NUT	BOULONS	NUT	DADO
#	M85A00080	C02607	DADO AUTOBLOC ALTO 8 M16 H=18 UNI 7473	NUT	BOULONS	NUT	DADO
#	M85A00089	C02657	DADO AUTOBLOC ALTO 8 M16X1,5 H=18 UNI 7473	NUT	BOULONS	NUT	DADO
#	M90A00007	C03004	RONDELLA PIANA D.10,5 DIN125-A ZINC.	WASHER	RONDELLE	UNTERLEGSCHIEBE	ARANDELLA
#	M90A00008	C03005	RONDELLA PIANA D.13 DIN125-A ZINC.	WASHER	RONDELLE	UNTERLEGSCHIEBE	ARANDELLA
#	M90A00009	C03006	RONDELLA PIANA D.15 DIN125-A ZINC.	WASHER	RONDELLE	UNTERLEGSCHIEBE	ARANDELLA
#	M90A00010	C03007	RONDELLA PIANA D.17 DIN125-A ZINC.	WASHER	RONDELLE	UNTERLEGSCHIEBE	ARANDELLA
#	MB0A00024	C04535	SPINA ELASTICA D.8X55	SOCKET	GOUPILLE	STECKER	PASADOR
#	C05A08810		DISTANZIALE PIANO UCF 212 SP 8MM	SPACER	ENTRETOISE	ABSTANDSTUECK	ESPACIADORES
#	C05A08811		SCHERMO PIANO UCF-212 4MM	SCREEN	ECRAN	SCHIRM	PANTALLA
#	C10A03997		RINFORZO ANT. PULIRULLO P5/P51/PK5/PK6	REINFORCEMENT	RENFORT	VERSTAERKUNG	REFUERZO
#	C10A04000		RINFORZO POST. PULIRULLO P51/PK TUBO 100X100	REINFORCEMENT	RENFORT	VERSTAERKUNG	REFUERZO
#	C20A02955		PETTINE DA 6 ***	COMB	HERSE	KAMM	PEINE
#	M30A00011	C23018	SUPPORTO UCF 212 CLASSE A	SUPPORT	SUPPORT	STUTZE	APOYO
#	MJ5A00001	C41101	INGRASSATORE M6X1 DIRITTO	GREASE NIPPLE	GRAISSOR	FETTBUECHSE	ENGRASADOR
#	MJ5A00005	C41105	INGRASSATORE M10X1 DIRITTO	GREASE NIPPLE	GRAISSOR	FETTBUECHSE	ENGRASADOR
#	G00A00001	C50170	PROTEZIONE INGRASSATORE D.6MM ROSSO	PROTECTION	PROTECTION	SCHUTZ	PROTECCIÓN
#	MK0A00028	D01308S	SPATOLA PULIRULLO PK ANTIUSURA	SPATULA	Spatules	SPACHTEL	ESPÁTULASS
#	MD5A00010	D02979	CAVALLOTTO QUADRO M14 T100X100X135	PIN	CAVALLIER	STIFT	CAVALLOTTI
#	C10A01502	D04737	MORSETTO DIAGONALE TUBO 100 l=150 ***	TERMINAL	TERMINAL	TERMINAL	TERMINALES
#	MD5A00015	D04811	CAVALLOTTO DIAGONALE M14 100X100	PIN	CAVALLIER	STIFT	CAVALLOTTI
#	C15A00713	D13577	FIANCATA IMBULLONATA SINISTRA RULLO PK6	SIDE	LONG	NEBEN	JUNTO
#	C15A00714	D13578	FIANCATA IMBULLONATA DESTRA RULLO PK6	SIDE	LONG	NEBEN	JUNTO
#	C20A00159	E01325	PETTINE DA 5 ***	COMB	HERSE	KAMM	PEINE
#	C20A00161	E01326	PETTINE DA 4 ***	COMB	HERSE	KAMM	PEINE
#	C20A00698	E03708	TAMPONE CENTRALE RULLI DOPPI D.145X30	BUFFER	PRESSE	STOPFEN	TAMPON
#	C20A00894	E04735	TELAIO PORTA SPATOLE PK4-400 100X100	FRAME	CHASSIS	RAHMEN	MARCO
#	C20A00948	E05036	TELAIO PORTA SPATOLE PK4-350 100X100	FRAME	CHASSIS	RAHMEN	MARCO
#	C20A01320	E07303	TELAIO PORTA SPATOLE PK4-390 100X100	FRAME	CHASSIS	RAHMEN	MARCO
#	C20A01375	E07755	TIRANTE RASCHIATORE M16 CON PIASTRINA	TIE ROD	TIRANT	ZUGSTANGE	TIRANTE
#	C20A02117	E13601	TELAIO RULLO IMBULLONATO 200 SERIE 5	FRAME	CHASSIS	RAHMEN	MARCO
#	C20A02118	E13602	TELAIO RULLO IMBULLONATO 250 SERIE 5	FRAME	CHASSIS	RAHMEN	MARCO
#	C20A02119	E13603	TELAIO RULLO IMBULLONATO 300 SERIE 5	FRAME	CHASSIS	RAHMEN	MARCO
#	C20A02120	E13604	TELAIO RULLO IMBULLONATO 350 SERIE 5	FRAME	CHASSIS	RAHMEN	MARCO
#	C20A02121	E13605	TELAIO RULLO IMBULLONATO 390 SERIE 5	FRAME	CHASSIS	RAHMEN	MARCO
#	C20A02122	E13606	TELAIO RULLO IMBULLONATO 400 SERIE 5	FRAME	CHASSIS	RAHMEN	MARCO
#	C20A02139	E13681	RULLO PAKER IMBULLONATO PK6-205	ROLLER	ROULEAU	WALZE	RODILLO
#	C20A02140	E13682	RULLO PAKER IMBULLONATO PK6-250	ROLLER	ROULEAU	WALZE	RODILLO

Copyright © 2009 Alpego s.p.a. ®

Tutti i diritti sono riservati. È vietata espressamente la ristampa o l'uso non autorizzato senza permesso scritto dalla Alpego s.p.a.

Tous droits réservés. Toute réimpression ou utilisation non autorisée sans la permission écrite de la Alpego s.p.a. est formellement interdite

Alle Rechte vorbehalten. Nachdruck, Vervielfältigung und Verbreitung, auch auszugsweise, ist ohne schriftliche Genehmigung der Alpego s.p.a.

Al rights reserved. Any reprinting or unauthorized use without the written permission of Alpego s.p.a. is expressly prohibited

Todos los derechos reservados. Toda reproducción o uso no autorizado sin el consentimiento escrito de Alpego s.p.a. quedan expresamente prohibidos

04/07/2016

Rullo packer PK6N (2015)

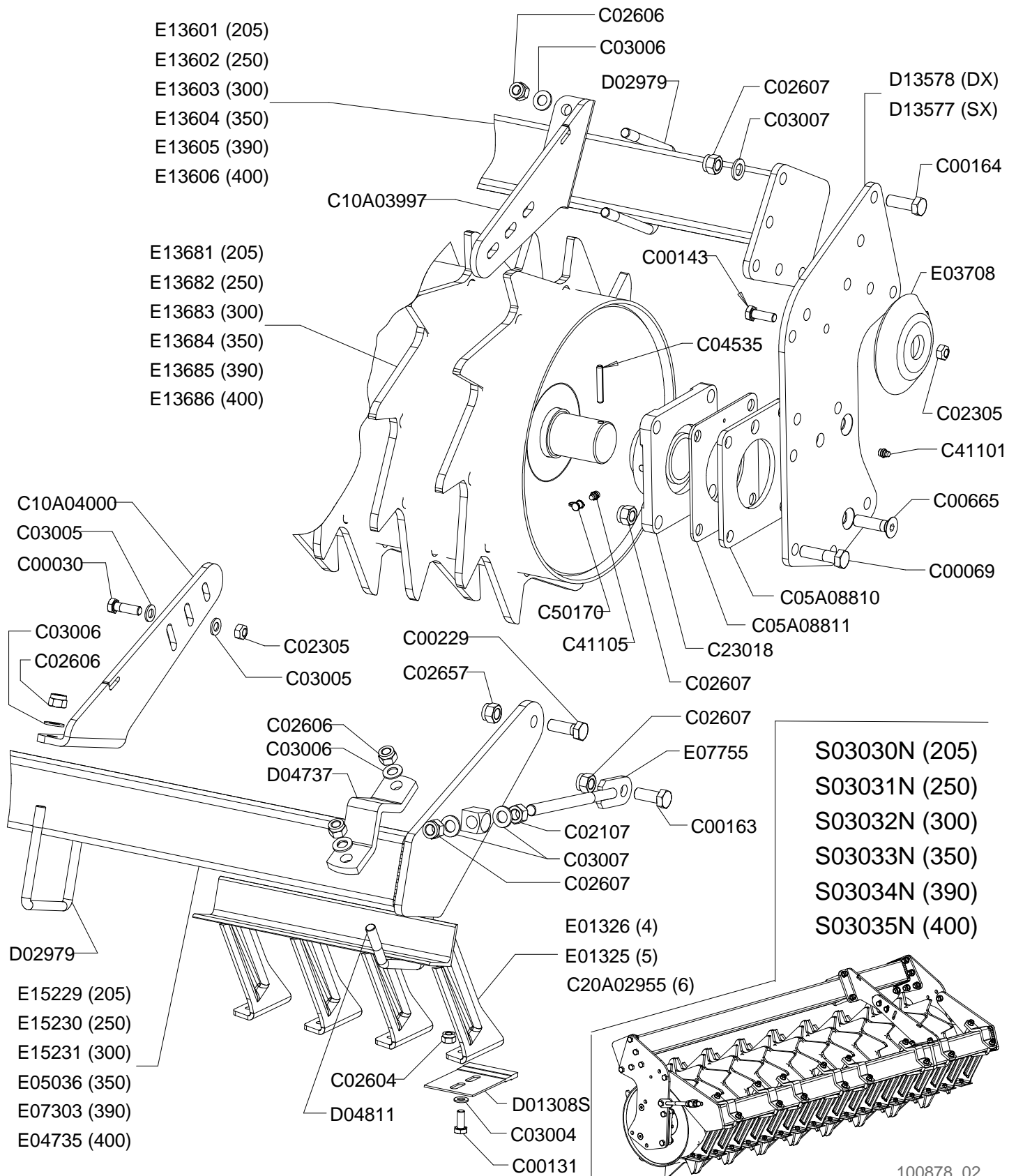
Packer roller PK6N (2015)

Rouleau packer PK6N (2015)

Packer walze PK6N (2015)

Drawing Code: **100878_2**

Accessories: S10A00048 - S10A00050 - S10A00052 - S10A00053 - S10A00054 - S10A00055



100878_02



Rullo packer PK6N (2015)

Packer roller PK6N (2015)

Rouleau packer PK6N (2015)

Packer walze PK6N (2015)

Drawing Code: **100878_2**

Accessories: S10A00048 - S10A00050 - S10A00052 - S10A00053 - S10A00054 - S10A00055

N°	Code	Old.	Descrizione / Description	GB	FR	D	E
#	C20A02141	E13683	RULLO PAKER IMBULLONATO PK6-300	ROLLER	ROULEAU	WALZE	RODILLO
#	C20A02142	E13684	RULLO PAKER IMBULLONATO PK6-350	ROLLER	ROULEAU	WALZE	RODILLO
#	C20A02143	E13685	RULLO PAKER IMBULLONATO PK6-390	ROLLER	ROULEAU	WALZE	RODILLO
#	C20A02144	E13686	RULLO PAKER IMBULLONATO PK6-400	ROLLER	ROULEAU	WALZE	RODILLO
#	C20A02373	E15229	TELAIO PORTA SPATOLE PK6N-205 100x100	FRAME	CHASSIS	RAHMEN	MARCO
#	C20A02374	E15230	TELAIO PORTA SPATOLE PK6N-250 100x100	FRAME	CHASSIS	RAHMEN	MARCO
#	C20A02375	E15231	TELAIO PORTA SPATOLE PK6N-300 100x100	FRAME	CHASSIS	RAHMEN	MARCO
#	S10A00048	S03030N	RULLO PACKER PK6 205	ROLLER	ROULEAU	WALZE	RODILLO
#	S10A00050	S03031N	RULLO PACKER PK6 250	ROLLER	ROULEAU	WALZE	RODILLO
#	S10A00052	S03032N	RULLO PACKER PK6 300	ROLLER	ROULEAU	WALZE	RODILLO
#	S10A00053	S03033N	RULLO PACKER PK6 350	ROLLER	ROULEAU	WALZE	RODILLO
#	S10A00054	S03034N	RULLO PACKER PK6 390	ROLLER	ROULEAU	WALZE	RODILLO
#	S10A00055	S03035N	RULLO PACKER PK6 400	ROLLER	ROULEAU	WALZE	RODILLO

Rullo spuntoni P5N (2015)

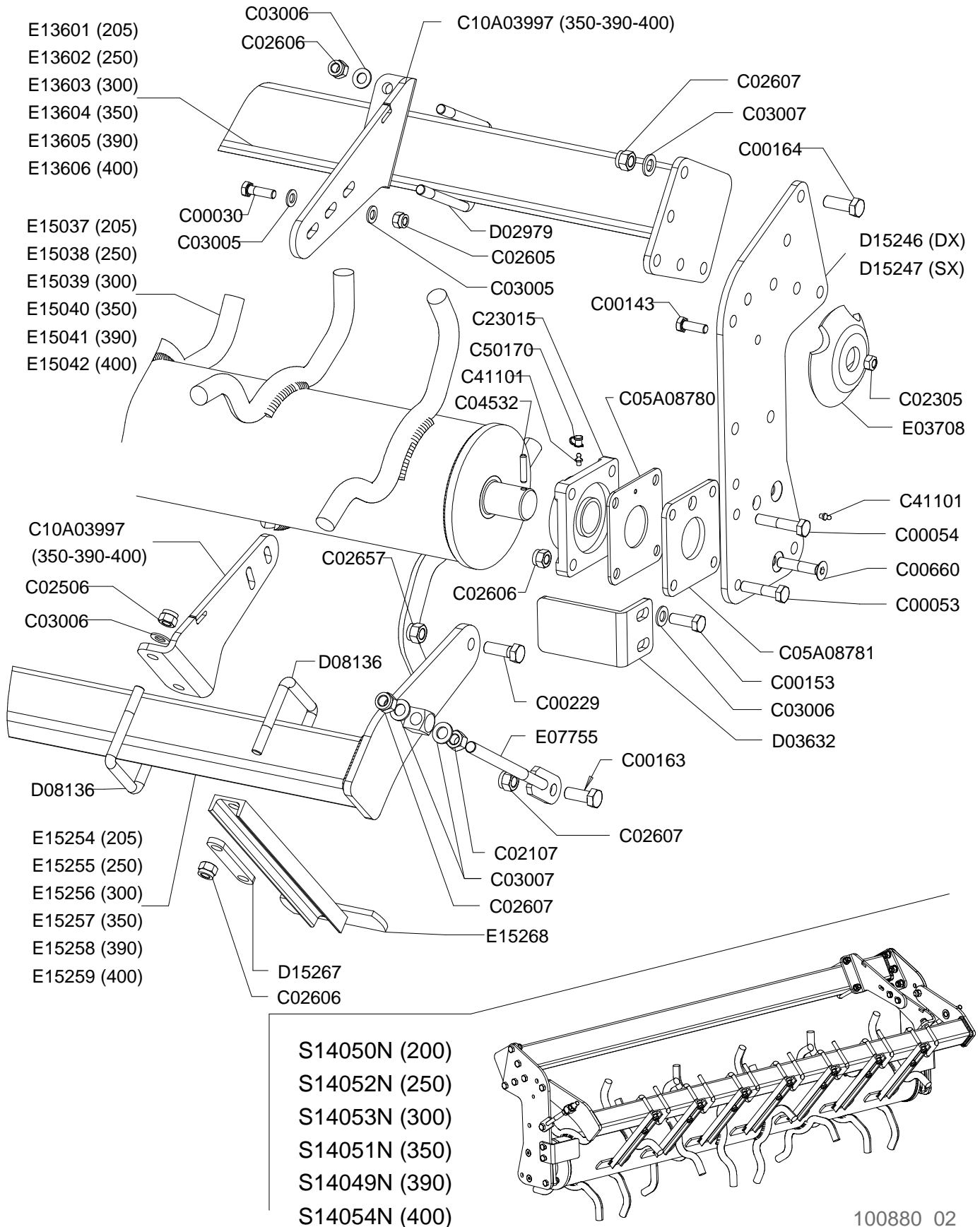
Spike roller P5N (2015)

Rouleau a pointes P5N (2015)

Zinken walze P5N (2015)

Drawing Code: **100880_2**

Accessories: S15A00038 - S15A00040 - S15A00042 - S15A00044 - S15A00046 - S15A00048



100880_02



Rullo spuntoni P5N (2015)

Spike roller P5N (2015)

Rouleau a pointes P5N (2015)

Zinken walze P5N (2015)

Drawing Code: **100880_2**

Accessories: S15A00038 - S15A00040 - S15A00042 - S15A00044 - S15A00046 - S15A00048

N°	Code	Old.	Descrizione / Description	GB	FR	D	E
#	M80A00027	C00030	VITE TE 88 PG FP M12X40 ZINC UNI 5737	SCREW	VIS	SCHRAUBE	TORNILLO
#	M80A00046	C00053	VITE TE 88 PG FP M14X60 ZINC UNI 5737	SCREW	VIS	SCHRAUBE	TORNILLO
#	M80A00047	C00054	VITE TE 88 PG FP M14X70 ZINC UNI 5737	SCREW	VIS	SCHRAUBE	TORNILLO
#	M80A00130	C00143	VITE TE 88 PG FT M12X35 ZINC UNI 5739	SCREW	VIS	SCHRAUBE	TORNILLO
#	M80A00138	C00153	VITE TE 88 PG FT M14X40 ZINC UNI 5739	SCREW	VIS	SCHRAUBE	TORNILLO
#	M80A00149	C00163	VITE TE 88 PG FT M16X40 ZINC UNI 5739	SCREW	VIS	SCHRAUBE	TORNILLO
#	M80A00150	C00164	VITE TE 88 PG FT M16X45 ZINC UNI 5739	SCREW	VIS	SCHRAUBE	TORNILLO
#	M80A00179	C00229	VITE TE 10.9 M16X1.5X45 ZINC F25	SCREW	VIS	SCHRAUBE	TORNILLO
#	M80A00304	C00660	VITE TSPEI 10.9 PG M14X70 UNI 5933	SCREW	VIS	SCHRAUBE	TORNILLO
#	M85A00030	C02107	DADO NORMALE 8 PG M16 UNI 5588 ZINC	NUT	BOULONS	NUT	DADO
#	M85A00050	C02305	DADO METALBLOC M12 X 1.75	NUT	BOULONS	NUT	DADO
#	M85A00059	C02506	DADO AUTOBLOC BASSO 8 PG M14 H=14 UNI 7474	NUT	BOULONS	NUT	DADO
#	M85A00078	C02605	DADO AUTOBLOC ALTO 8 M12 H=14 UNI 7473	NUT	BOULONS	NUT	DADO
#	M85A00079	C02606	DADO AUTOBLOC ALTO 8 M14 H=16 UNI 7473	NUT	BOULONS	NUT	DADO
#	M85A00080	C02607	DADO AUTOBLOC ALTO 8 M16 H=18 UNI 7473	NUT	BOULONS	NUT	DADO
#	M85A00089	C02657	DADO AUTOBLOC ALTO 8 M16X1.5 H=18 UNI 7473	NUT	BOULONS	NUT	DADO
#	M90A00008	C03005	RONDELLA PIANA D.13 DIN125-A ZINC.	WASHER	RONDELLE	UNTERLEGSCHIEBE	ARANDELLA
#	M90A00009	C03006	RONDELLA PIANA D.15 DIN125-A ZINC.	WASHER	RONDELLE	UNTERLEGSCHIEBE	ARANDELLA
#	M90A00010	C03007	RONDELLA PIANA D.17 DIN125-A ZINC.	WASHER	RONDELLE	UNTERLEGSCHIEBE	ARANDELLA
#	MB0A00021	C04532	SPINA ELASTICA D.8X40	SOCKET	GOUPILLE	STECKER	PASADOR
#	C05A08780		SCHERMO PIANO UCF-209 4MM	SCREEN	ECRAN	SCHIRM	PANTALLA
#	C05A08781		DISTANZIALE PIANO UCF 209 SP.8MM INGRAS.MAGG.	SPACER	ENTRETOISE	ABSTANDSTUECK	ESPACIADORES
#	C10A03997		RINFORZO ANT. PULIRULLO P5/P51/PK5/PK6	REINFORCEMENT	RENFORT	VERSTAERKUNG	REFUERZO
#	M30A00007	C23015	SUPPORTO UCF 209	SUPPORT	SUPPORT	STUTZE	APOYO
#	MJ5A00001	C41101	INGRASSATORE M6X1 DIRITTO	GREASE NIPPLE	GRAISSOR	FETTBUECHSE	ENGRASADOR
#	G00A00001	C50170	PROTEZIONE INGRASSATORE D.6MM ROSSO	PROTECTION	PROTECTION	SCHUTZ	PROTECCIÓN
#	MD5A00010	D02979	CAVALLOTTO QUADRO M14 T100X100X135	PIN	CAVALLIER	STIFT	CAVALLOTTI
#	C10A01360	D03632	PULIRULLO SPUNTONI ESTERNO P2/P-5/P-41	ROLLER SCRAPER	DECROTTEUR ROULEAU	WALZENABSTREIFER	POLIRULO
#	MD5A00019	D08136	CAVALLOTTO QUADRO M14 T80X80X110	PIN	CAVALLIER	STIFT	CAVALLOTTI
#	C15A00772	D15246	FIANCATA SMONTABILE DESTRA RULLO P5N	SIDE	LONG	NEBEN	JUNTO
#	C05A07826	D15267	PIATTO RINF. PULIRULLO P5N 10MM	METAL STRAP	METAL DEPLOYE	BANDEISEN	PLATILLO
#	C20A00698	E03708	TAMPONE CENTRALE RULLI DOPPI D.145X30	BUFFER	PRESSE	STOPFEN	TAMPON
#	C20A01375	E07755	TIRANTE RASCHIATORE M16 CON PIASTRINA	TIE ROD	TIRANT	ZUGSTANGE	TIRANTE
#	C20A02117	E13601	TELAIO RULLO IMBULLONATO 200 SERIE 5	FRAME	CHASSIS	RAHMEN	MARCO
#	C20A02118	E13602	TELAIO RULLO IMBULLONATO 250 SERIE 5	FRAME	CHASSIS	RAHMEN	MARCO
#	C20A02119	E13603	TELAIO RULLO IMBULLONATO 300 SERIE 5	FRAME	CHASSIS	RAHMEN	MARCO
#	C20A02120	E13604	TELAIO RULLO IMBULLONATO 350 SERIE 5	FRAME	CHASSIS	RAHMEN	MARCO
#	C20A02121	E13605	TELAIO RULLO IMBULLONATO 390 SERIE 5	FRAME	CHASSIS	RAHMEN	MARCO
#	C20A02122	E13606	TELAIO RULLO IMBULLONATO 400 SERIE 5	FRAME	CHASSIS	RAHMEN	MARCO
#	C20A02326	E15037	RULLO SPUNTONI P5N-205	ROLLER	ROULEAU	WALZE	RODILLO
#	C20A02327	E15038	RULLO SPUNTONI P5N-250	ROLLER	ROULEAU	WALZE	RODILLO
#	C20A02328	E15039	RULLO SPUNTONI P5N-300	ROLLER	ROULEAU	WALZE	RODILLO
#	C20A02329	E15040	RULLO SPUNTONI P5N-350	ROLLER	ROULEAU	WALZE	RODILLO
#	C20A02330	E15041	RULLO SPUNTONI P5N-390	ROLLER	ROULEAU	WALZE	RODILLO
#	C20A02331	E15042	RULLO SPUNTONI P5N-400	ROLLER	ROULEAU	WALZE	RODILLO
#	C20A02381	E15254	TELAIO PULIRULLO P5N-205	FRAME	CHASSIS	RAHMEN	MARCO
#	C20A02382	E15255	TELAIO PULIRULLO P5N-250	FRAME	CHASSIS	RAHMEN	MARCO
#	C20A02383	E15256	TELAIO PULIRULLO P5N-300	FRAME	CHASSIS	RAHMEN	MARCO
#	C20A02384	E15257	TELAIO PULIRULLO P5N-350	FRAME	CHASSIS	RAHMEN	MARCO

Copyright © 2009 Alpego s.p.a. ®

Tutti i diritti sono riservati. È vietata espressamente la ristampa o l'uso non autorizzato senza permesso scritto dalla Alpego s.p.a.

Tous droits réservés. Toute réimpression ou utilisation non autorisée sans la permission écrite de la Alpego s.p.a. est formellement interdite

Alle Rechte vorbehalten. Nachdruck, Vervielfältigung und Verbreitung, auch auszugsweise, ist ohne schriftliche Genehmigung der Alpego s.p.a.

Al rights reserved. Any reprinting or unauthorized use without the written permission of Alpego s.p.a. is expressly prohibited

Todos los derechos reservados. Toda reproducción o uso no autorizado sin el consentimiento escrito de Alpego s.p.a. quedan expresamente prohibidos

04/07/2016

Rullo spuntoni P5N (2015)

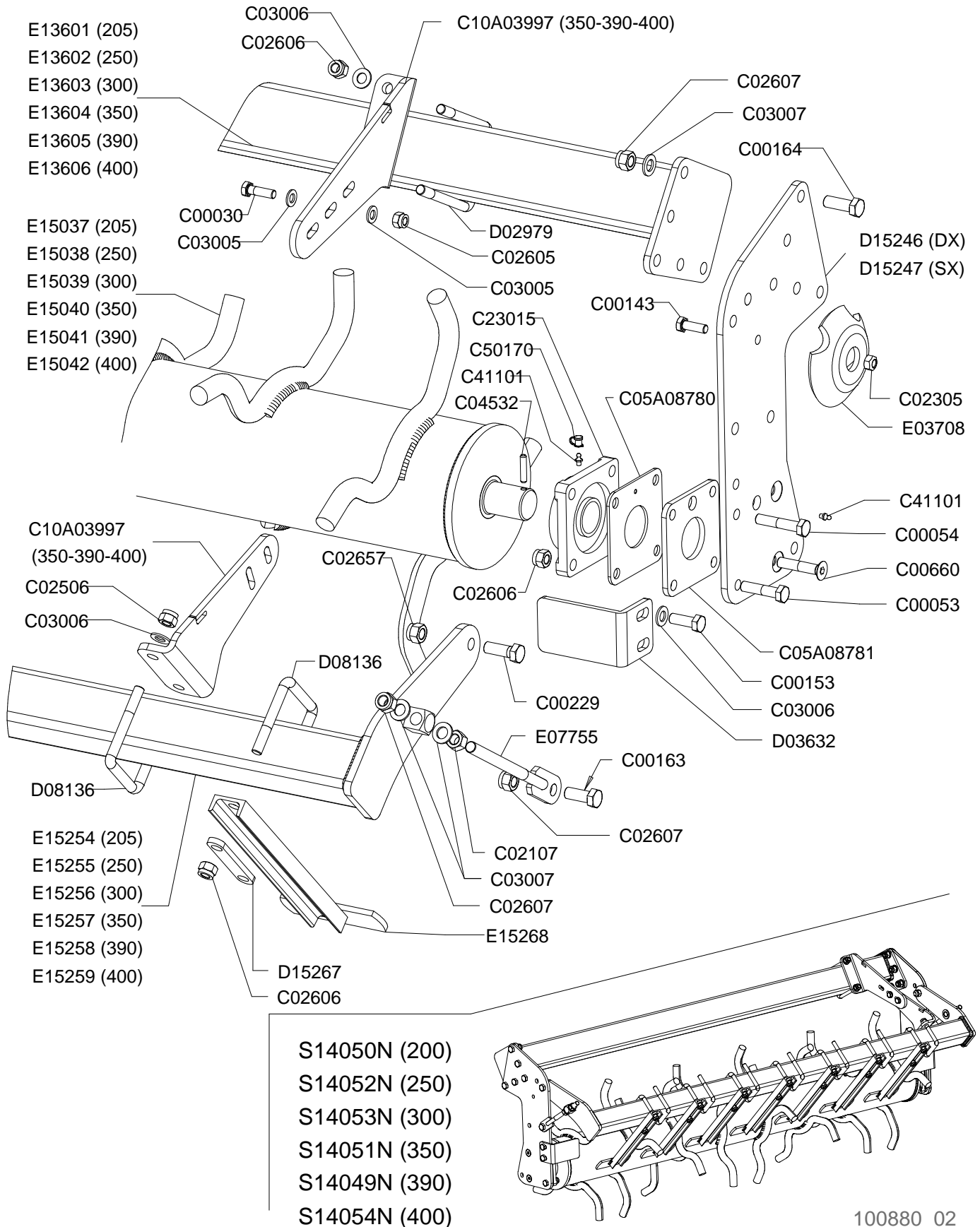
Spike roller P5N (2015)

Rouleau a pointes P5N (2015)

Zinken walze P5N (2015)

Drawing Code: **100880_2**

Accessories: S15A00038 - S15A00040 - S15A00042 - S15A00044 - S15A00046 - S15A00048



100880_02



Rullo spuntoni P5N (2015)

Spike roller P5N (2015)

Rouleau a pointes P5N (2015)

Zinken walze P5N (2015)

Drawing Code: **100880_2**

Accessories: S15A00038 - S15A00040 - S15A00042 - S15A00044 - S15A00046 - S15A00048

N°	Code	Old.	Descrizione / Description
#	C20A02385	E15258	TELAIO PULIRULLO P5N-390
#	C20A02386	E15259	TELAIO PULIRULLO P5N-400
#	C20A02387	E15268	PULIRULLO P5N
#	S15A00038	S14049N	RULLO SPUNTONI P5N-390 SMONT.COMPLETO
#	S15A00040	S14050N	RULLO SPUNTONI P5N-205 SMONT.COMPLETO
#	S15A00042	S14051N	RULLO SPUNTONI P5N-350 SMONT.COMPLETO
#	S15A00044	S14052N	RULLO SPUNTONI P5N-250 SMONT.COMPLETO
#	S15A00046	S14053N	RULLO SPUNTONI P5N-300 SMONT.COMPLETO
#	S15A00048	S14054N	RULLO SPUNTONI P5N-400 SMONT.COMPLETO

GB	FR	D	E
FRAME	CHASSIS	RAHMEN	MARCO
FRAME	CHASSIS	RAHMEN	MARCO
ROLLER SCRAPER	DECROTTEUR ROULEAU	WALZENABSTREIFER	POLIRULO
ROLLER	ROULEAU	WALZE	RODILLO
ROLLER	ROULEAU	WALZE	RODILLO
ROLLER	ROULEAU	WALZE	RODILLO
ROLLER	ROULEAU	WALZE	RODILLO
ROLLER	ROULEAU	WALZE	RODILLO
ROLLER	ROULEAU	WALZE	RODILLO

Rullo gabbia G5N (2015)

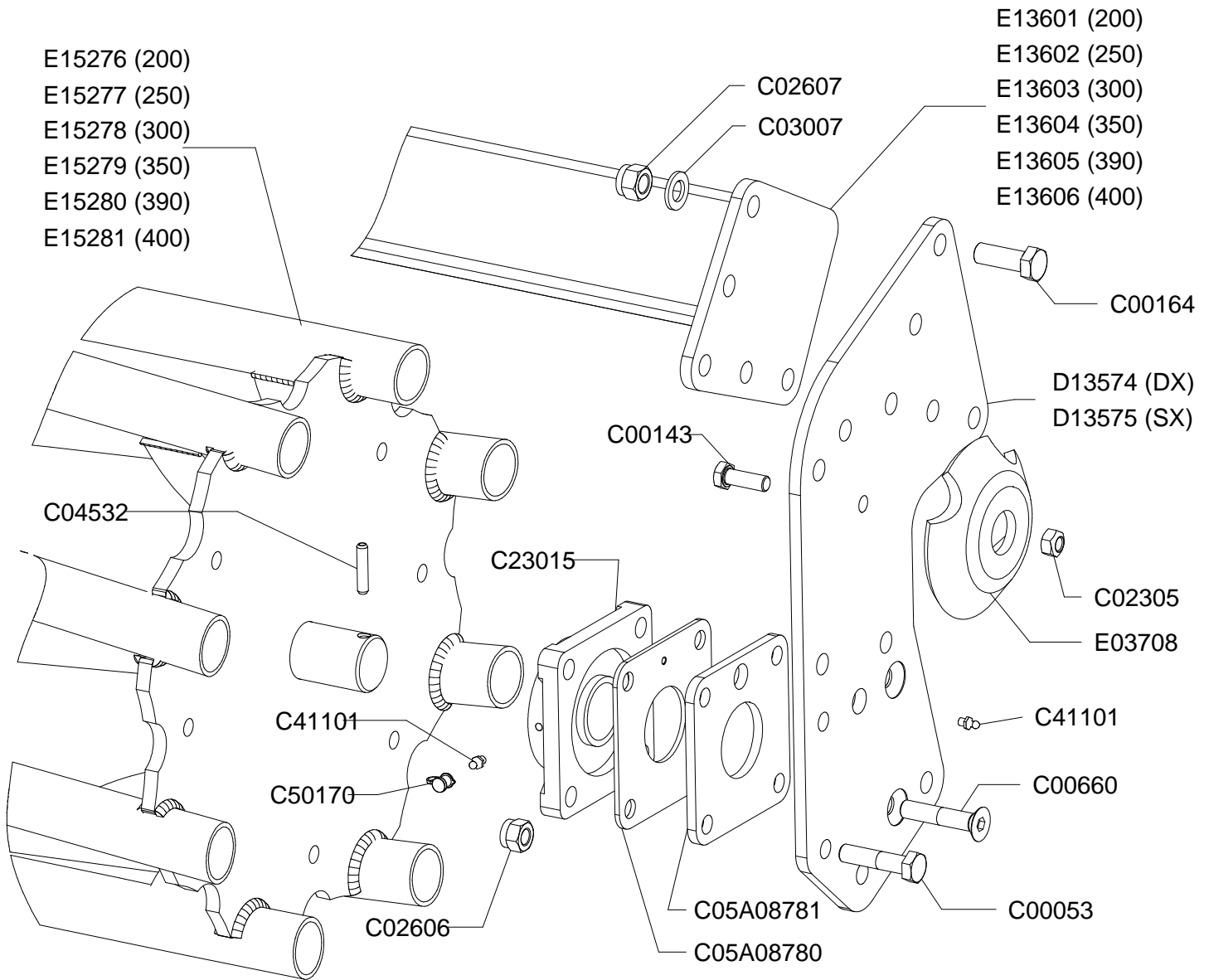
Cage roller G5N (2015)

Rouleau cage G5N (2015)

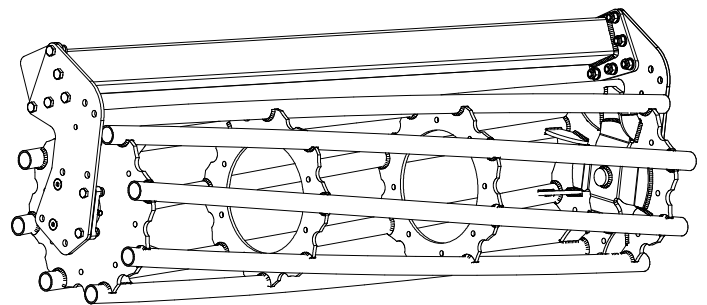
Stab walze G5N (2015)

Drawing Code: **100881_1**

Accessories: S05A00019 - S05A00021 - S05A00023 - S05A00025 - S05A00027 - S05A00029



- S10008N (200)
- S10010N (250)
- S10011N (300)
- S10009N (350)
- S10013N (390)
- S10012N (400)



100881_01



Rullo gabbia G5N (2015)

Cage roller G5N (2015)

Rouleau cage G5N (2015)

Stab walze G5N (2015)

Drawing Code: **100881_1**

Accessories: S05A00019 - S05A00021 - S05A00023 - S05A00025 - S05A00027 - S05A00029

N°	Code	Old.	Descrizione / Description	GB	FR	D	E
#	M80A00046	C00053	VITE TE 88 PG FP M14X60 ZINC UNI 5737	SCREW	VIS	SCHRAUBE	TORNILLO
#	M80A00130	C00143	VITE TE 88 PG FT M12X35 ZINC UNI 5739	SCREW	VIS	SCHRAUBE	TORNILLO
#	M80A00150	C00164	VITE TE 88 PG FT M16X45 ZINC UNI 5739	SCREW	VIS	SCHRAUBE	TORNILLO
#	M80A00304	C00660	VITE TSPEI 10.9 PG M14X70 UNI 5933	SCREW	VIS	SCHRAUBE	TORNILLO
#	M85A00050	C02305	DADO METALBLOC M12 X 1.75	NUT	BOULONS	NUT	DADO
#	M85A00079	C02606	DADO AUTOBLOC ALTO 8 M14 H=16 UNI 7473	NUT	BOULONS	NUT	DADO
#	M85A00080	C02607	DADO AUTOBLOC ALTO 8 M16 H=18 UNI 7473	NUT	BOULONS	NUT	DADO
#	M90A00010	C03007	RONDELLA PIANA D.17 DIN125-A ZINC.	WASHER	RONDELLE	UNTERLEGSCHIEBE	ARANDELLA
#	MB0A00021	C04532	SPINA ELASTICA D.8X40	SOCKET	GOUPILLE	STECKER	PASADOR
#	C05A08780		SCHERMO PIANO UCF-209 4MM	SCREEN	ECRAN	SCHIRM	PANTALLA
#	C05A08781		DISTANZIALE PIANO UCF 209 SP.8MM INGRAS.MAGG.	SPACER	ENTRETOISE	ABSTANDSTUECK	ESPACIADORES
#	M30A00007	C23015	SUPPORTO UCF 209	SUPPORT	SUPPORT	STUTZE	APOYO
#	MJ5A00001	C41101	INGRASSATORE M6X1 DIRITTO	GREASE NIPPLE	GRAISSOR	FETTBUECHSE	ENGRASADOR
#	G00A00001	C50170	PROTEZIONE INGRASSATORE D.6MM ROSSO	PROTECTION	PROTECTION	SCHUTZ	PROTECCIÓN
#	C15A00711	D13574	FIANCATA IMBULLONATA DESTRA RULLO SERIE 5	SIDE	LONG	NEBEN	JUNTO
#	C15A00712	D13575	FIANCATA IMBULLONATA SINISTRA RULLO SERIE 5	SIDE	LONG	NEBEN	JUNTO
#	C20A00698	E03708	TAMPONE CENTRALE RULLI DOPPI D.145X30	BUFFER	PRESSE	STOPFEN	TAMPON
#	C20A02117	E13601	TELAIO RULLO IMBULLONATO 200 SERIE 5	FRAME	CHASSIS	RAHMEN	MARCO
#	C20A02118	E13602	TELAIO RULLO IMBULLONATO 250 SERIE 5	FRAME	CHASSIS	RAHMEN	MARCO
#	C20A02119	E13603	TELAIO RULLO IMBULLONATO 300 SERIE 5	FRAME	CHASSIS	RAHMEN	MARCO
#	C20A02120	E13604	TELAIO RULLO IMBULLONATO 350 SERIE 5	FRAME	CHASSIS	RAHMEN	MARCO
#	C20A02121	E13605	TELAIO RULLO IMBULLONATO 390 SERIE 5	FRAME	CHASSIS	RAHMEN	MARCO
#	C20A02122	E13606	TELAIO RULLO IMBULLONATO 400 SERIE 5	FRAME	CHASSIS	RAHMEN	MARCO
#	C20A02388	E15276	RULLO GABBIA G5N-205	ROLLER	ROULEAU	WALZE	RODILLO
#	C20A02389	E15277	RULLO GABBIA G5N-250	ROLLER	ROULEAU	WALZE	RODILLO
#	C20A02390	E15278	RULLO GABBIA G5N-300	ROLLER	ROULEAU	WALZE	RODILLO
#	C20A02391	E15279	RULLO GABBIA G5N-350	ROLLER	ROULEAU	WALZE	RODILLO
#	C20A02392	E15280	RULLO GABBIA G5N-390	ROLLER	ROULEAU	WALZE	RODILLO
#	C20A02393	E15281	RULLO GABBIA G5N-400	ROLLER	ROULEAU	WALZE	RODILLO
#	S05A00019	S10008N	RULLO GABBIA G5N-205 COMPLETO	ROLLER	ROULEAU	WALZE	RODILLO
#	S05A00021	S10009N	RULLO GABBIA G5N-350 COMPLETO	ROLLER	ROULEAU	WALZE	RODILLO
#	S05A00023	S10010N	RULLO GABBIA G5N-250 COMPLETO	ROLLER	ROULEAU	WALZE	RODILLO
#	S05A00025	S10011N	RULLO GABBIA G5N-300 COMPLETO	ROLLER	ROULEAU	WALZE	RODILLO
#	S05A00027	S10012N	RULLO GABBIA G5N-400 COMPLETO	ROLLER	ROULEAU	WALZE	RODILLO
#	S05A00029	S10013N	RULLO GABBIA G5N-390 COMPLETO	ROLLER	ROULEAU	WALZE	RODILLO

Kit 8 bacchette rullo gabbia G5

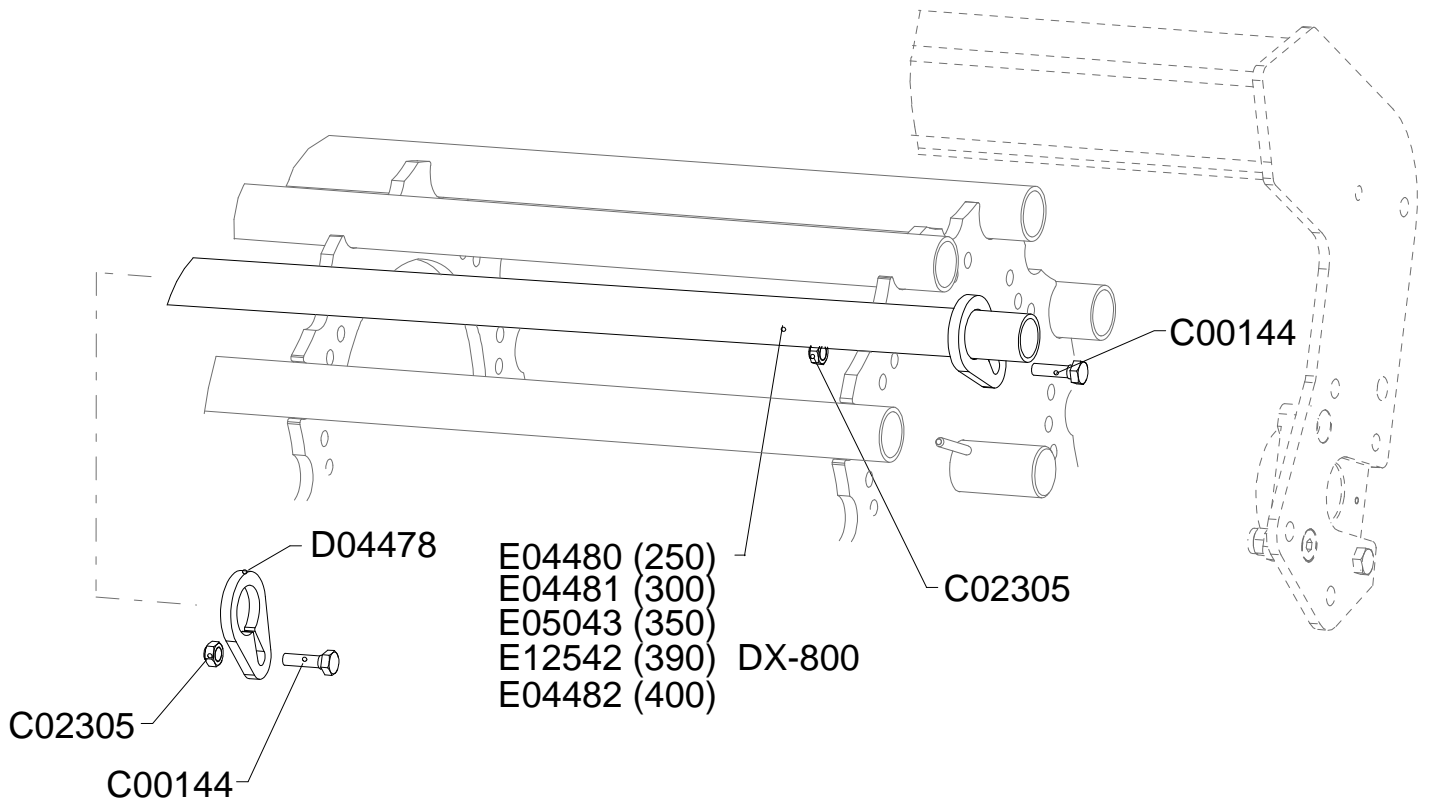
8-rod kit for roller cage G5

Kit 8 baguettes rouleau cage G5

Walzenstabe Gehäuse G5

Drawing Code: **100790_0**

Accessories:



100790_00



Kit 8 bacchette rullo gabbia G5

8-rod kit for roller cage G5

Kit 8 baguettes rouleau cage G5

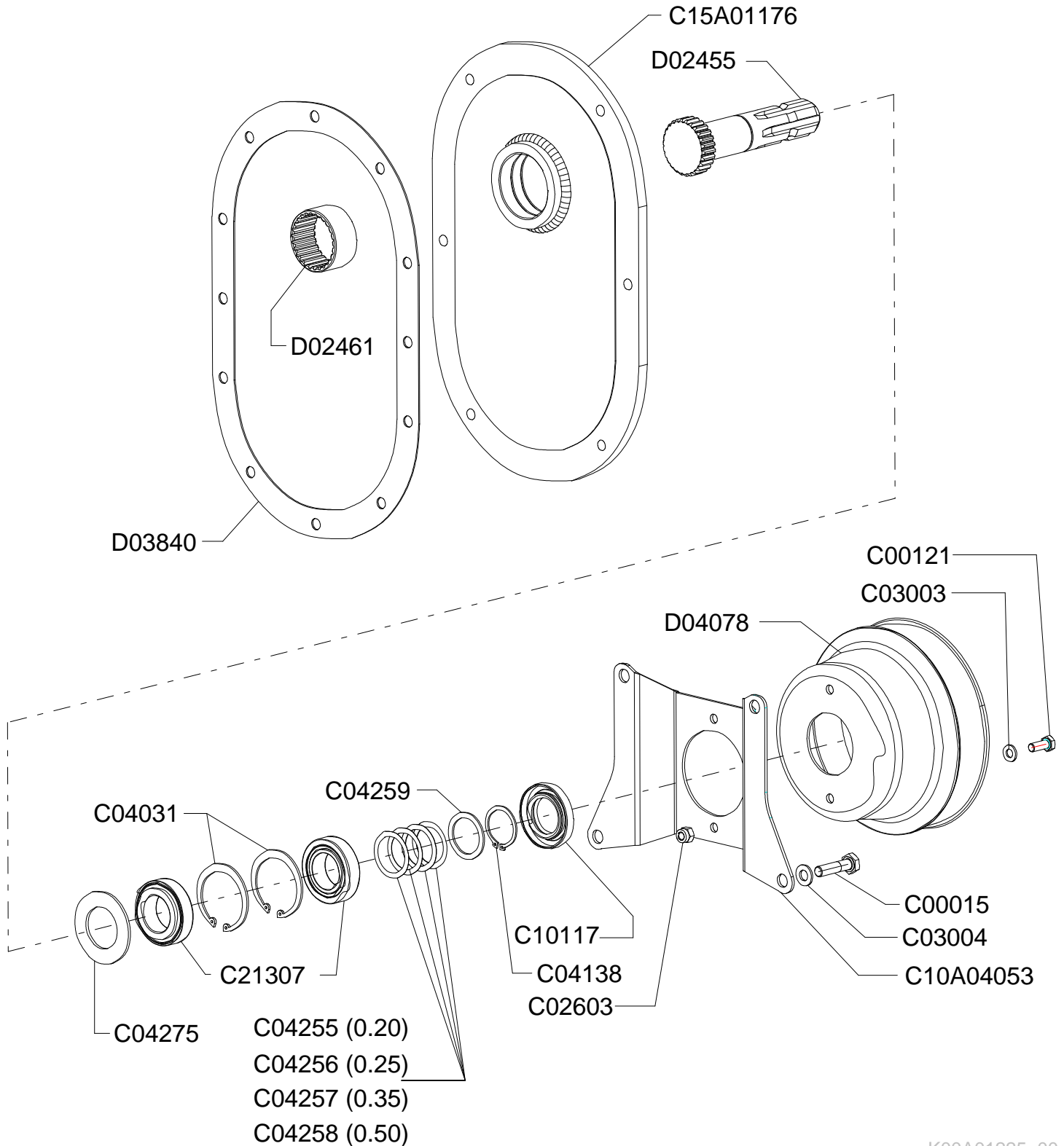
Walzenstabe Gehäuse G5

Drawing Code: **100790_0**

Accessories:

N°	Code	Old.	Descrizione / Description
#	M80A00131	C00144	VITE TE 88 PG FT M12X40 ZINC UNI 5739
#	M85A00050	C02305	DADO METALBLOC M12 X 1.75
#	C05A04499	D04478	PIASTRINA FERMO BACCHETTA G5 SP10MM
#	C20A00840	E04480	BACCHETTA SMONTABILE G5-250
#	C20A00841	E04481	BACCHETTA SMONTABILE G5-300
#	C20A00842	E04482	BACCHETTA SMONTABILE G5-400
#	C20A00953	E05043	BACCHETTA SMONTABILE G5-350
#	C20A01981	E12542	BACCHETTA SMONTABILE G5-390

GB	FR	D	E
SCREW	VIS	SCHRAUBE	TORNILLO
NUT	BOULONS	NUT	DADO
METAL STRAP	METAL DEPLOYE	BANDEISEN	PLATILLO
ROD	TUBE	STIFT	BAQUETAS
ROD	TUBE	STIFT	BAQUETAS
ROD	TUBE	STIFT	BAQUETAS
ROD	TUBE	STIFT	BAQUETAS
ROD	TUBE	STIFT	BAQUETAS



K00A01225_00



P.d.F. posteriore

Rear power take off

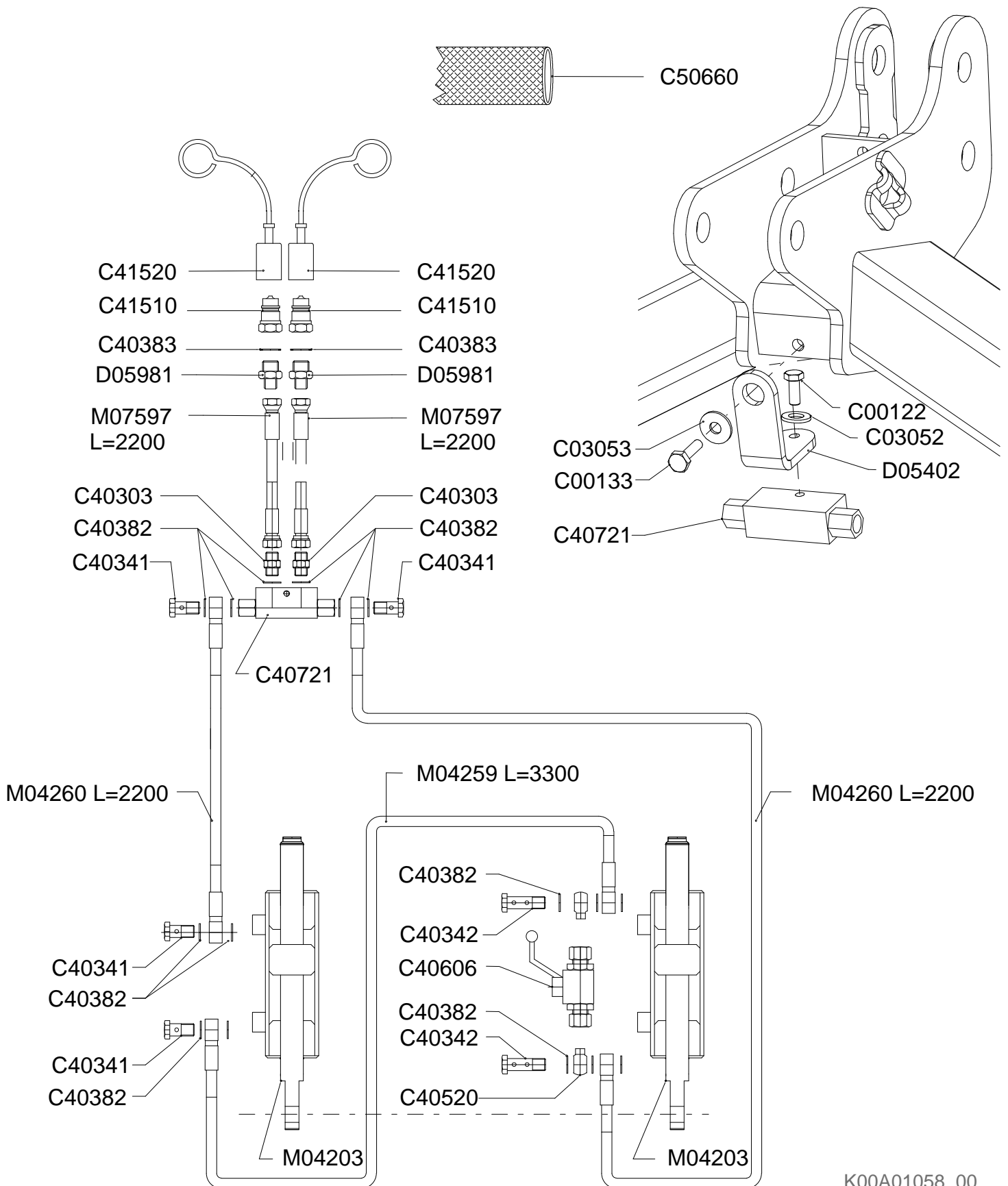
Prise de force arriere

Hinrere Zapfwelle

Drawing Code: **K00A01225_0**

Accessories: SA1A00010

N°	Code	Old.	Descrizione / Description	GB	FR	D	E
#	M80A00012	C00015	VITE TE 88 PG FP M10X40 ZINC UNI 5737	SCREW	VIS	SCHRAUBE	TORNILLO
#	M80A00110	C00121	VITE TE 88 PG FT M8X20 ZINC UNI 5739	SCREW	VIS	SCHRAUBE	TORNILLO
#	M85A00075	C02603	DADO AUTOBLOC ALTO 8 M8 H=10.6 UNI 7473	NUT	BOULONS	NUT	DADO
#	M90A00005	C03003	RONDELLA PIANA D.8,4 DIN125-A ZINC.	WASHER	RONDELLE	UNTERLEGSCHLEIBE	ARANDELLA
#	M90A00007	C03004	RONDELLA PIANA D.10,5 DIN125-A ZINC.	WASHER	RONDELLE	UNTERLEGSCHLEIBE	ARANDELLA
#	MA0A00006	C04031	SEEGER FORO D.62 UNI 7437	SEEGER	SEEGER	SEEGER	SEEGER
#	MA0A00036	C04138	SEEGER ALBERO D.35 UNI 7435	SEEGER	SEEGER	SEEGER	SEEGER
#	MA5A00053	C04255	SPESSORE REG. 35X45X0,20	THICKNESS	CALES	DICKE	ESPESOR
#	MA5A00054	C04256	SPESSORE REG. 35X45X0,25	THICKNESS	CALES	DICKE	ESPESOR
#	MA5A00055	C04257	SPESSORE REG. 35X45X0,35	THICKNESS	CALES	DICKE	ESPESOR
#	MA5A00056	C04258	SPESSORE REG. 35X45X0,50	THICKNESS	CALES	DICKE	ESPESOR
#	MA5A00057	C04259	SPESSORE REG. 35.2X45X2	THICKNESS	CALES	DICKE	ESPESOR
#	MA5A00074	C04275	SPESSORE REG. 40,5X69,5X3	THICKNESS	CALES	DICKE	ESPESOR
#	H00A00043	C10117	PARAOLIO BASL D.35X62X10 (POLIACR.)	SEALING RING	JOINT SPI	OELABDICHTUNG	PARAOLIO
#	C10A04053		SUPPORTO PROTEZIONE PDF POSTERIORE CS190	SUPPORT	SUPPORT	STUTZE	APOYO
#	C15A01176		COPERCHIO P.D.F POST.CS190 (LAVORATO)	LID	COUVERCLE	DECKEL	TAPA
#	M20A00053	C21307	CUSCINETTO 32007 35X62X18	BEARING	ROULEMENT	KUGELLAGER	COJINETE
#	M45A00023	D02455	ALBERO P.D.F. POSTERIORE LE DF	SHAFT	ARBRE	WELLE	EJE
#	M75A00028	D02461	GIUNTO SCAN. 55X50 P.D.F. POST. LE DF	JOINT	JOINT	KUPPLUNG	MIXTO
#	H30A00017	D03840	GUARNIZ. COPERCHIO CAMBIO CS/CL	GASKET	GARNITURE	DICHTUNG	GUARNICION
#	G10A00044	D04078	PROT. DE200X110 2 FORI D.9X105	PROTECTION	PROTECTION	SCHUTZ	PROTECCIÓN



K00A01058_00



Impianto registro idraulico rullo

Hydraulic connection register hydr. roller

Connexion hydraulique enregistrer hydr. de rouleau

Hydraulische Verbindung zu registrieren Abdrückrollen

Drawing Code: **K00A01058_0**

Accessories: SA5A00035

N°	Code	Old.	Descrizione / Description	GB	FR	D	E
#	M80A00111	C00122	VITE TE 88 PG FT M8X25 ZINC UNI 5739	SCREW	VIS	SCHRAUBE	TORNILLO
#	M80A00121	C00133	VITE TE 88 PG FT M10X35 ZINC UNI 5739	SCREW	VIS	SCHRAUBE	TORNILLO
#	M90A00027	C03052	RONDELLA PIANA d9xD32x2.5 UNI 6593 ZINC.	WASHER	RONDELLE	UNTERLEGSCHIEBE	ARANDELLA
#	M90A00029	C03053	RONDELLA PIANA D11XD30X2.5 UNI 6593 ZINC	WASHER	RONDELLE	UNTERLEGSCHIEBE	ARANDELLA
#	H35A00003	C40303	NIPLES 3/8 3/8	NIPLES	NIPLES	NIPLES	NIPLES
#	H40A00002	C40341	VITE FORATA 3/8X31	SCREW	VIS	SCHRAUBE	TORNILLO
#	H40A00003	C40342	VITE FORATA DOPPIA 3/8X49	SCREW	VIS	SCHRAUBE	TORNILLO
#	H35A00042	C40382	RONDELLA RAME 3/8 D.17	WASHER	RONDELLE	UNTERLEGSCHIEBE	ARANDELLA
#	H35A00043	C40383	RONDELLA RAME 1/2 D.21	WASHER	RONDELLE	UNTERLEGSCHIEBE	ARANDELLA
#	H35A00098	C40520	OCCHIO 3/8 CON TUBETTO D.12X40 ZINC.	EYE	ŒIL	AUGE	OJOS
#	H55A00003	C40606	RUBINETTO A SFERA 3/8 OGIVA 12 400 BAR	TAP	ROBINET	HAHN	GRIFOS
#	H70A00013	C40721	VALVOLA BLOCCO 3/8 VBPDE L=126 CORTA	VALVE	SOUPAPE	VENTIL	VALVULA
#	H50A00005	C41510	INNESTO RAPIDO MASCHIO ATT. 1/2 F NV	COUPLING	ACCOUPEMENT	KUPPLUNG	COMPROMISO
#	G10A00002	C41520	TAPPO PROT.INNESTO RAPIDO 1/2 MASCHIO BLU	PLUG	BOUCHON	STOEPSSEL	ENCHUFE
#	G10A00031	C50660	GUAINA MANICHETTA L 80 NERA TESSILE	SHEATH	GAINÉ	MANTEL	VAINA
#	C10A01605	D05402	STAFFA VALVOLA DI BLOCCO	BRACKET	SUPPORT	BUEGEL	SOPORTE
#	H35A00115	D05981	NIPLES RIDUZIONE 1/2 3/8 CON FORO D.1,6	NIPLES	NIPLES	NIPLES	NIPLES
#	H80A00016	M04203	CILINDRO D.60 C.100 S.30 PASSANTE	CYLINDER	CYLINDRE	ZYLINDER	CILÍNDRICA
#	H75A00022	M04259	"TUBO IDR OH3/8"-R1AT 1/4""X3300-OH3/8""	TUBE	TUBE	ROHR	TUBO
#	H75A00023	M04260	"TUBO IDR OH3/8"-R1AT 1/4""X2200-OH3/8""	TUBE	TUBE	ROHR	TUBO
#	H75A00060	M07597	"TUBO IDR FD3/8"-R1AT 1/4""X2200-FD3/8""	TUBE	TUBE	ROHR	TUBO

Coppia rompitraccia FZ/FL/KZ

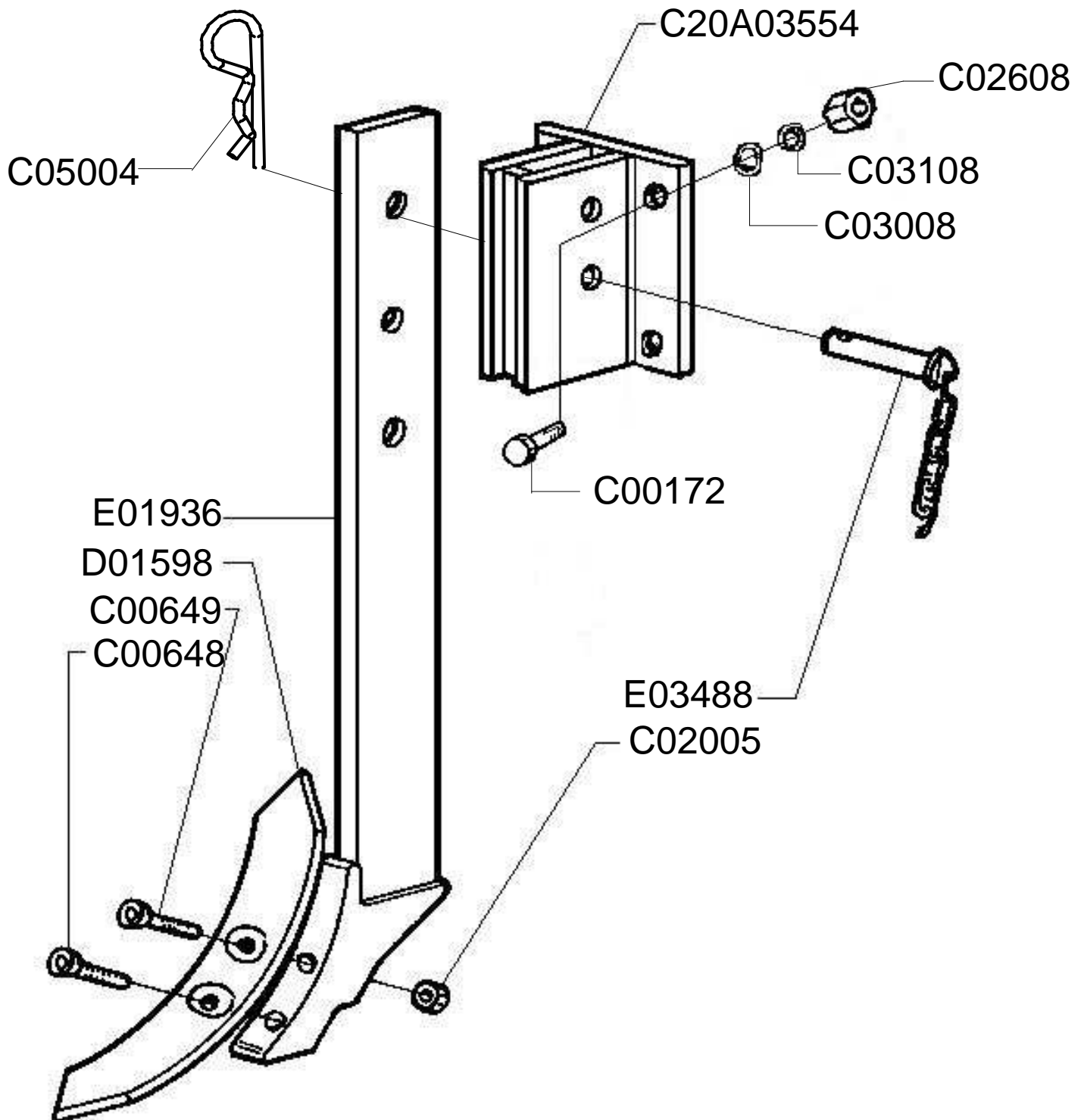
Pair subsoilers FZ/FL/KZ

Paire efface traces FZ/FL/KZ

Spurlockererpaar FZ/FL/KZ

Drawing Code: **K00A01312_0**

Accessories: S91A00020



K00A01312_00



Coppia rompitraccia FZ/FL/KZ

Pair subsoilers FZ/FL/KZ

Paire efface traces FZ/FL/KZ

Spurlockererpaar FZ/FL/KZ

Drawing Code: **K00A01312_0**

Accessories: S91A00020

N°	Code	Old.	Descrizione / Description
#	M80A00158	C00172	VITE TE 88 PG FT M20X50 ZINC UNI 5739
#	M80A00296	C00648	VITE TSPEI 10.9 PG M12X60 UNI 5933
#	M80A00297	C00649	VITE TSPEI 10.9 PG M12X70 UNI 5933
#	M85A00004	C02005	DADO ALTO 8 PG M12 UNI 5587
#	M85A00081	C02608	DADO AUTOBLOC ALTO 8 M20 H=22 UNI 7473
#	M90A00011	C03008	RONDELLA PIANA D.21 DIN125-A ZINC.
#	M90A00038	C03108	RONDELLA GROWER D.20 DIN 127
#	MB0A00087	C05004	SPINA A MOLLA D.4
#	C20A03554		STAFFA GUIDA ROMPITRACCIA FZ-LZ-KZ
#	MK0A00038	D01598	VOMERE ROMPITRACCIA 60X12X300
#	C20A00322	E01936	BRACCIO ROMPITRACCIA 80X25 DF ***
#	M15A00174	E03488	PERNO ROND D.20X63 UT. FORO D.6 ZINC***

GB	FR	D	E
SCREW	VIS	SCHRAUBE	TORNILLO
SCREW	VIS	SCHRAUBE	TORNILLO
SCREW	VIS	SCHRAUBE	TORNILLO
NUT	BOULONS	NUT	DADO
NUT	BOULONS	NUT	DADO
WASHER	RONDELLE	UNTERLEGSCHIEBE	ARANDELLA
WASHER	RONDELLE	UNTERLEGSCHIEBE	ARANDELLA
SOCKET	GOUPILLE	STECKER	PASADOR
BRACKET	SUPPORT	BUEGEL	SOPORTE
PLOUGHSHARE	SOC	PFLUGSCHAR	REJA
ARM	BRAS	ARM	BRAZO
PIN	PIVOT	STIFT	PIN

Coppia rompitraccia NO-STOP 2 molle

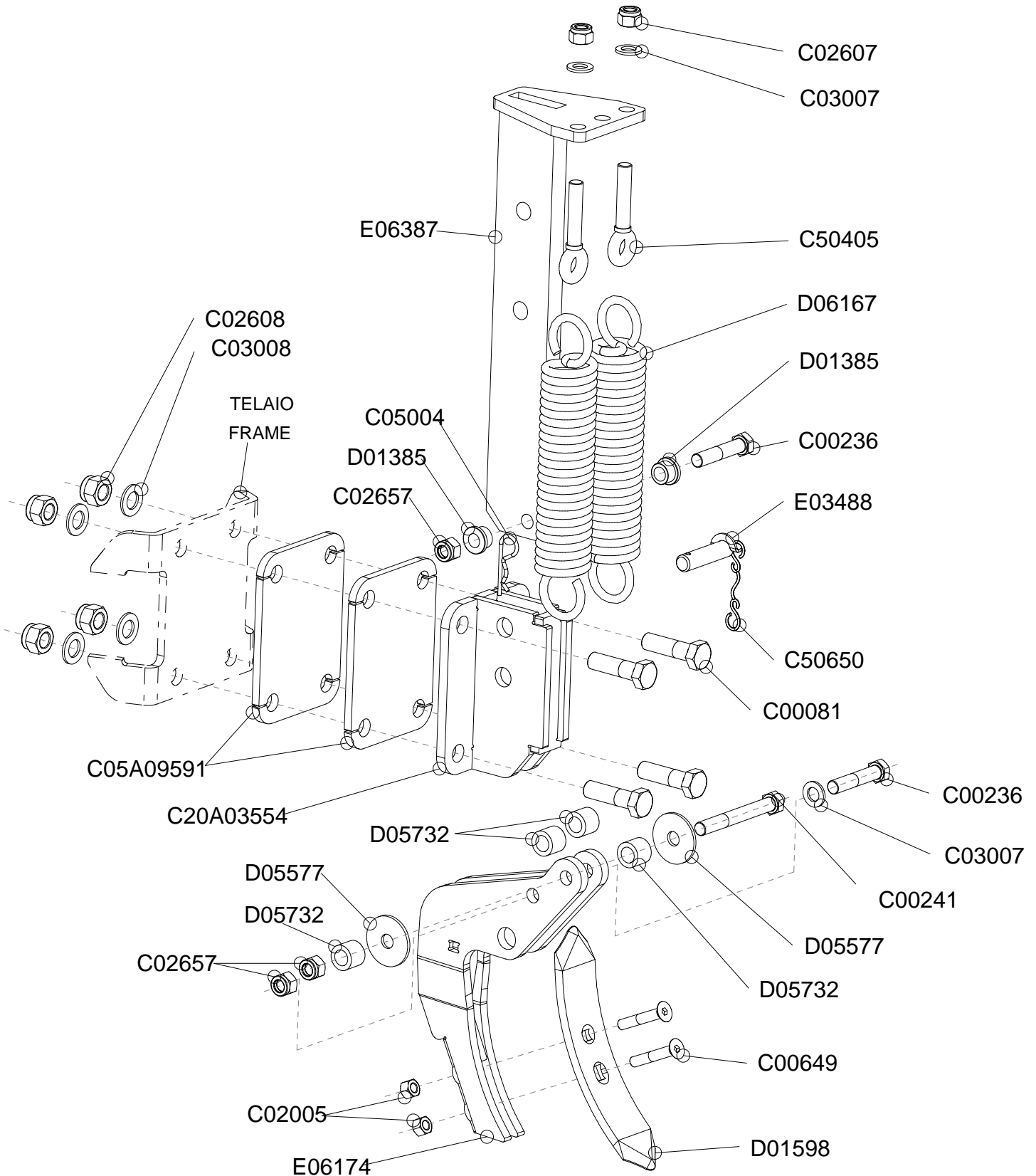
Pair subsoilers NO-STOP 2 springs

Paire efface traces NO-STOP 2 ressorts

Spurlockererpaar NO STOP 2 feder

Drawing Code: **K00A01319_0**

Accessories: S29A00021



K00A01319_00



Coppia rompitraccia NO-STOP 2 molle

Pair subsoilers NO-STOP 2 springs

Paire efface traces NO-STOP 2 ressorts

Spurlockererpaar NO STOP 2 feder

Drawing Code: **K00A01319_0**

Accessories: S29A00021

N°	Code	Old.	Descrizione / Description	GB	FR	D	E
#	M80A00074	C00081	VITE TE 88 PG FP M20X70 ZINC UNI 5737	SCREW	VIS	SCHRAUBE	TORNILLO
#	M80A00185	C00236	VITE TE 88 PF FP M16X1,5X80 ZINC UNI 573	SCREW	VIS	SCHRAUBE	TORNILLO
#	M80A00190	C00241	VITE TE 88 PF FP M16X1,5X130 ZINC UNI 57	SCREW	VIS	SCHRAUBE	TORNILLO
#	M80A00297	C00649	VITE TSPEI 10.9 PG M12X70 UNI 5933	SCREW	VIS	SCHRAUBE	TORNILLO
#	M85A00004	C02005	DADO ALTO 8 PG M12 UNI 5587	NUT	BOULONS	NUT	DADO
#	M85A00080	C02607	DADO AUTOBLOC ALTO 8 M16 H=18 UNI 7473	NUT	BOULONS	NUT	DADO
#	M85A00081	C02608	DADO AUTOBLOC ALTO 8 M20 H=22 UNI 7473	NUT	BOULONS	NUT	DADO
#	M85A00089	C02657	DADO AUTOBLOC ALTO 8 M16X1,5 H=18 UNI 7473	NUT	BOULONS	NUT	DADO
#	M90A00010	C03007	RONDELLA PIANA D.17 DIN125-A ZINC.	WASHER	RONDELLE	UNTERLEGSCHIEBE	ARANDELLA
#	M90A00011	C03008	RONDELLA PIANA D.21 DIN125-A ZINC.	WASHER	RONDELLE	UNTERLEGSCHIEBE	ARANDELLA
#	MB0A00087	C05004	SPINA A MOLLA D.4	SOCKET	GOUPILLE	STECKER	PASADOR
#	C05A09591		SPESSORE ROMPITRACCIA NO STOP FZ/LZ/KZ 10MM	THICKNESS	CALES	DICKE	ESPESOR
#	C20A03554		STAFFA GUIDA ROMPITRACCIA FZ-LZ-KZ	BRACKET	SUPPORT	BUEGEL	SOPORTE
#	ME0A00003	C50405	TIRANTE AD OCCHIO DESTRO M16X75 FORO D.18	TIE ROD	TIRANT	ZUGSTANGE	TIRANTE
#	M79A00002	C50650	GOMMINO CON ANELLI L.240 MM.	RUBBER	CAOUTCHOUC	BELAG	GOMAS
#	C15A00062	D01385	BUSSOLA D25/32 D.16,5 L.18,5 CARBON+ZINC	BUSHING	ENTRETOISE	BUCHSE	BRUJULA
#	MK0A00038	D01598	VOMERE ROMPITRACCIA 60X12X300	PLOUGHSHARE	SOC	PFLUGSCHAR	REJA
#	C05A04920	D05577	RONDELLA D.60X17X4 ZINC.	WASHER	RONDELLE	UNTERLEGSCHIEBE	ARANDELLA
#	C00A00215	D05732	DIST. D.26,9 d.16,9 L.25 ZINC.	SPACER	ENTRETOISE	ABSTANDSTUECK	ESPACIADORES
#	MF5A00025	D06167	MOLLA TRAZIONE D=10 DE=55 L=350	SPRING	RESSORT	FEDER	MUELLE
#	M15A00174	E03488	PERNO ROND D.20X63 UT. FORO D.6 ZINC***	PIN	PIVOT	STIFT	PIN
#	C20A01124	E06174	SUPPORTO VOMERE ROMPITRACCIA NO-STOP	SUPPORT	SUPPORT	STUTZE	APOYO
#	C20A01161	E06387	BRACCIO ROMPITRACCIA NO-STOP	ARM	BRAS	ARM	BRAZO