

# Seminatrice

# AS4



[www.alpego.com](http://www.alpego.com)

Tel +39 0444/64.61.00

Fax +39 0444/64.61.99

e-mail: [info@alpego.com](mailto:info@alpego.com)

## **ALPEGO s.p.a.**

*Sede Amministrativa:*

**Via Torri di Confine, 6 36053 GAMBELLARA (VICENZA) - ITALY**

*Sede Legale:*

**Via Giovanni e Giuseppe Cenzato, 9 36045 LONIGO (VICENZA) - ITALY**

Capitale sociale €2.000.000 i.v.

Cod. Fisc. / Part. IVA IT02009840246

R.E.A. 199795/VI/1996

Reg. Imp.VI N°22374/VI/1996

N. Mecc. VI 011754

**Copyright © 2009 Alpego s.p.a. ®**

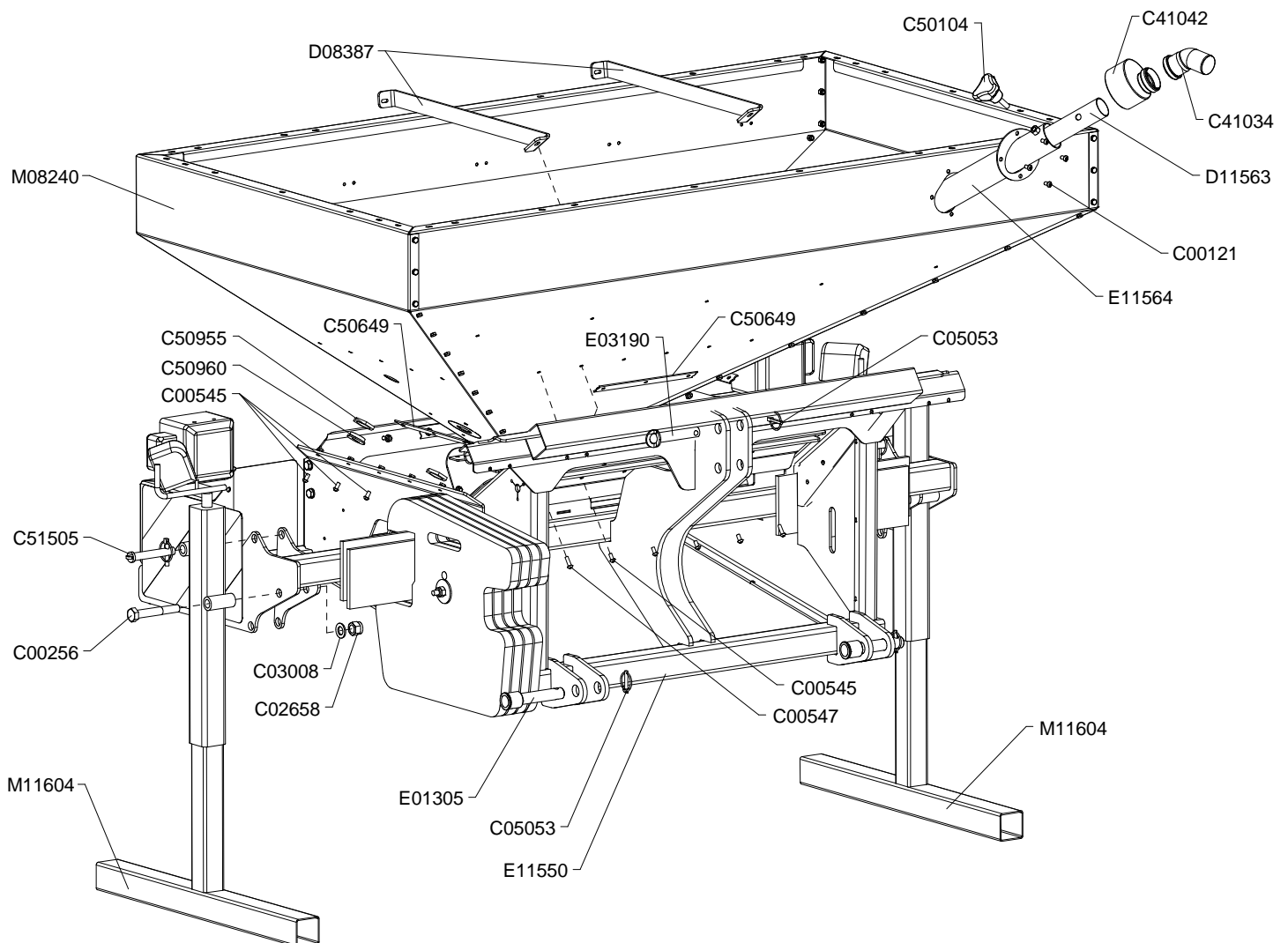
Tutti i diritti sono riservati. È vietata espressamente la ristampa o l'uso non autorizzato senza permesso scritto dalla Alpego s.p.a.

Tous droits réservés. Toute réimpression ou utilisation non autorisée sans la permission écrite de la Alpego s.p.a. est formellement interdite.

Alle Rechte vorbehalten. Nachdruck, Vervielfältigung und Verbreitung, auch auszugsweise, ist ohne schriftliche Genehmigung der Alpego s.p.a.

All rights reserved. Any reprinting or unauthorized use without the written permission of Alpego s.p.a. is expressly prohibited.

Todos los derechos reservados. Toda reproducción o uso no autorizado sin el consentimiento escrito de Alpego s.p.a. quedan expresamente prohibidos.



100721\_01\_f1



## Telaio anteriore

Frame

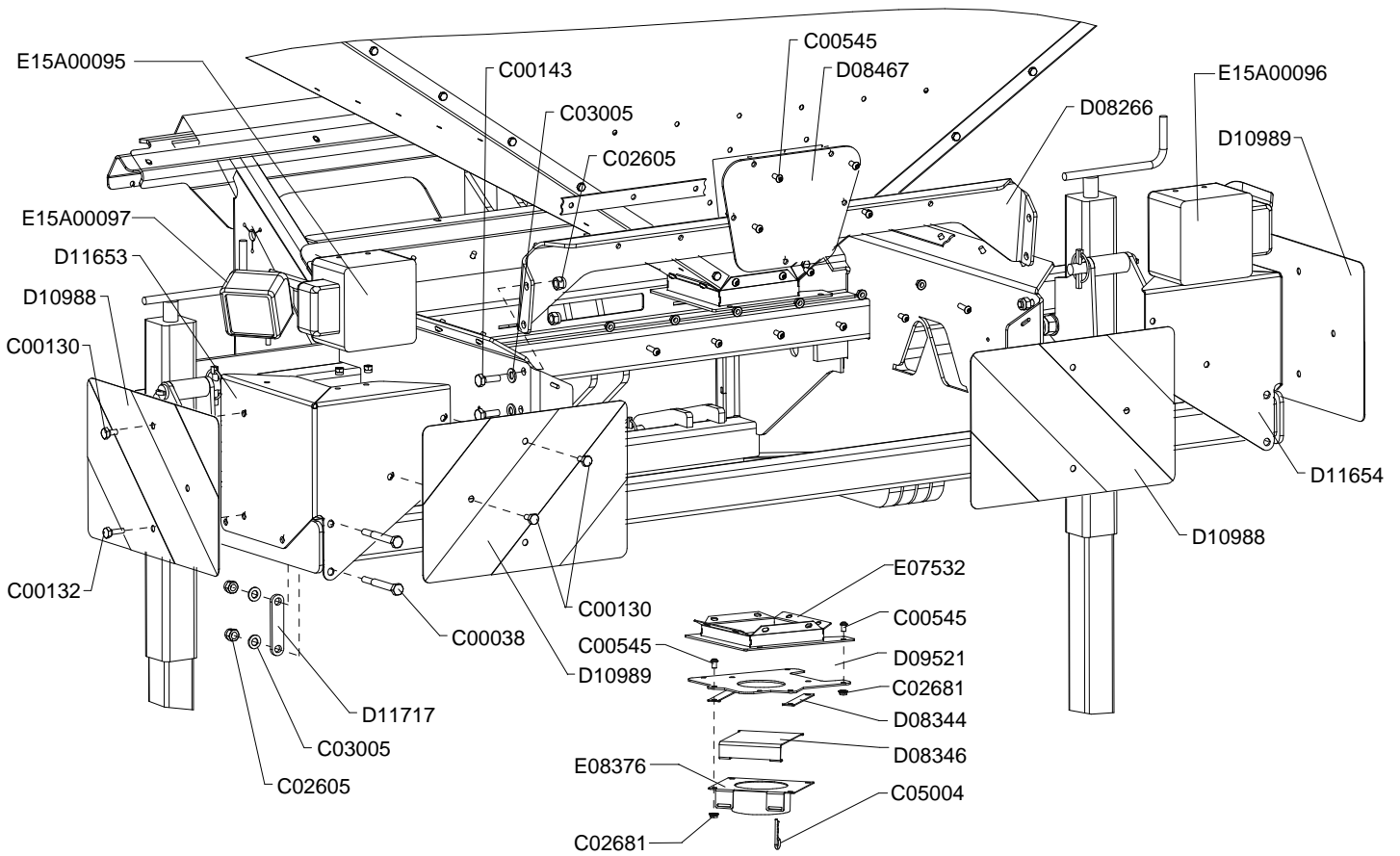
Chassis

Rahmen

Drawing Code: **100721\_1\_f1**

Accessories:

N°	Code	Old.	Descrizione / Description	GB	FR	D	E
#	M80A00110	C00121	VITE TE 88 PG FT M8X20 ZINC UNI 5739	SCREW	VIS	SCHRAUBE	TORNILLO
#	M80A00201	C00256	VITE TE 88 PF FP M20X1,5X130 ZINC UNI 57	SCREW	VIS	SCHRAUBE	TORNILLO
#	M80A00267	C00545	VITE TBEI 8.8 M8X16 ISO 7380 ZINC TESTA BOMBATA	SCREW	VIS	SCHRAUBE	TORNILLO
#	M80A00268	C00547	VITE TBEI 8.8 M8X25 ISO 7380 ZINC TESTA BOMB	SCREW	VIS	SCHRAUBE	TORNILLO
#	M85A00090	C02658	DADO AUTOBLOC ALTO 8 M20X1,5 H=22 UNI 7473	NUT	BOULONS	NUT	DADO
#	M90A00011	C03008	RONDELLA PIANA D.21 DIN125-A ZINC.	WASHER	RONDELLE	UNTERLEGSCHIEBE	ARANDELLA
#	MB0A00094	C05053	SPINA A SCATTO D.10	SOCKET	GOUPILLE	STECKER	PASADOR
#	P15A00005	C41034	CURVA D.50 POLIPROPILENE GRIGIO RIGIDO D.30°	CURVE	COURBE	BOGEN	CURVO
#	P15A00007	C41042	RIDUZIONE NIPREN INCASSATA PVC GRIGIO 110/50	REDUCTION	REDUCTION	UNTERSETZUNG	REDUCCIÓN
#	MF0A00023	C50104	VOLANTINO 6 LOBI VP/75 M12X60 MASCHIO	HAND WHEEL	VOLANT	HANDRAD	PERILLA
#	G10A00030	C50649	PIATTINA UN LATO ADESIVO 30 X 3 POLIETIE	METAL STRAP	METAL DEPLOYE	BANDEISEN	PLATILLO
#	E00A00026	C50955	CONTRODADO M40X1.5 PA6.6	COUNTERNUT	CONTREBOULONS	GEGENNUT	CONTRA EL DADO
#	E00A00027	C50960	TAPPO M40X1.5 PA6	PLUG	BOUCHON	STOEPSSEL	ENCHUFE
#	M15A00004	C51505	PERNO 3P. D.19 CON CAT.	PIN	PIVOT	STIFT	PIN
#	C10A02179	D08387	RINFORZO PIEG INTERNO TRAMOGGIA AS1-AS3	REINFORCEMENT	RENFORT	VERSTAERKUNG	REFUERZO
#	C15A00633	D11563	TUBO D.50x2 ASPIRAZIONE AS3	TUBE	TUBE	ROHR	TUBO
#	M15A00169	E01305	PERNO D.28X106 UT.FORO D.12 SALD ZINC***	PIN	PIVOT	STIFT	PIN
#	M15A00172	E03190	PERNO ROND.25X109 UT.FORO D.12 ZINC***	PIN	PIVOT	STIFT	PIN
#	C20A01905	E11550	TELAIO TRAMOGGIA FRONTALE AS3	FRAME	CHASSIS	RAHMEN	MARCO
#	C20A01906	E11564	SUPP. ASPIRAZIONE TRAM. FRONTALE AS3	SUPPORT	SUPPORT	STUTZE	APOYO
#	M79A00077	M08240	TRAMOGGIA 1400 LITRI AS1	HOPPER	TREMIE	TRICHTER	TOLVA
#	M79A00147	M11604	MANOVELLA REGOL. GAMBE TRAM. ANTER. AS3	CRANK	MANIVELLE	SPINDEL	MANIVELA



100721\_01\_f2





## Barra Fanali Anteriore

Front lights

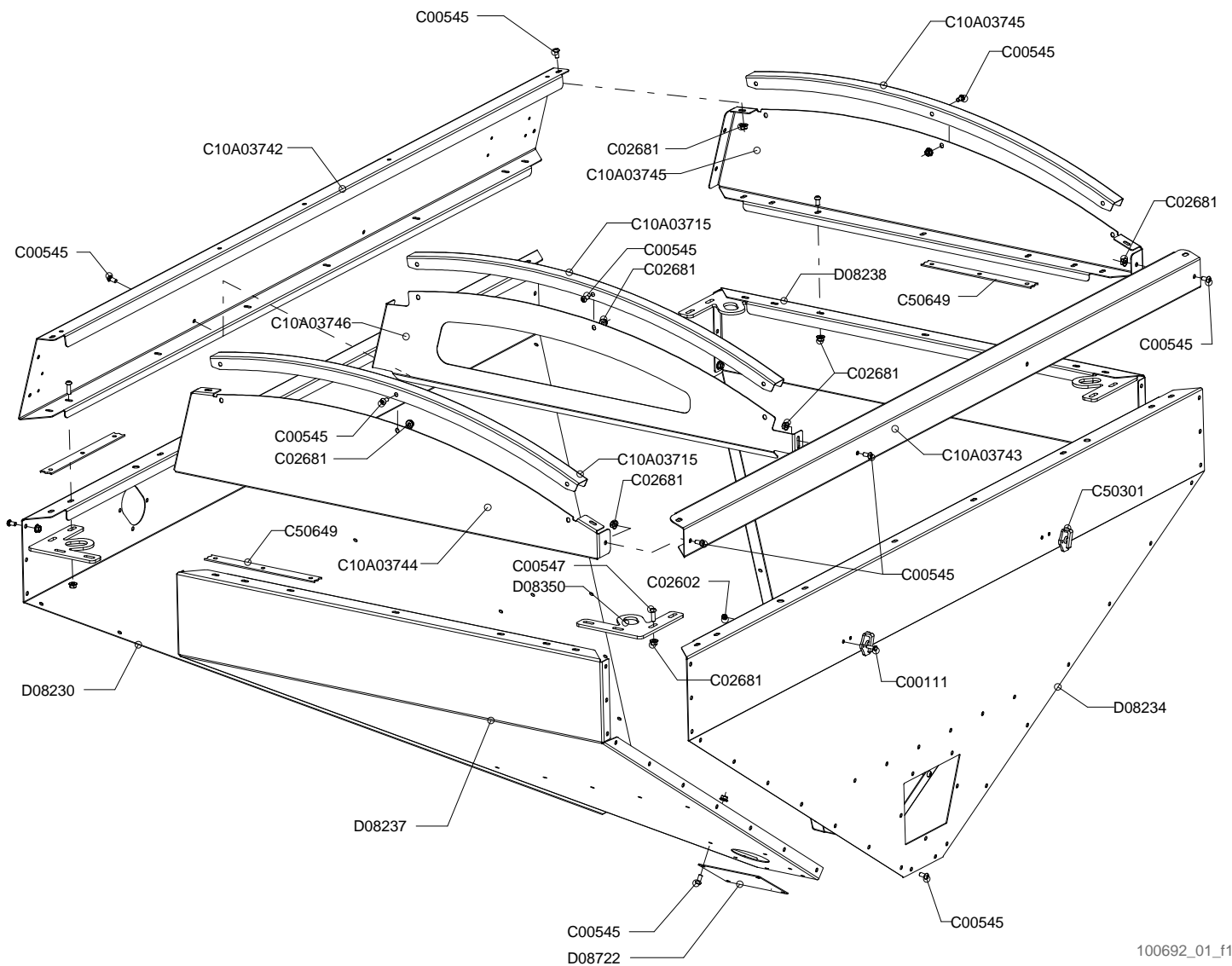
Lumieres anterieur

Hinterbeleuchtung

Drawing Code: **100721\_1\_f2**

Accessories:

N°	Code	Old.	Descrizione / Description	GB	FR	D	E
#	M80A00035	C00038	VITE TE 88 PG FP M12X100 ZINC UNI 5737	SCREW	VIS	SCHRAUBE	TORNILLO
#	M80A00117	C00130	VITE TE 88 PG FT M10X20 ZINC UNI 5739	SCREW	VIS	SCHRAUBE	TORNILLO
#	M80A00120	C00132	VITE TE 88 PG FT M10X30 ZINC UNI 5739	SCREW	VIS	SCHRAUBE	TORNILLO
#	M80A00130	C00143	VITE TE 88 PG FT M12X35 ZINC UNI 5739	SCREW	VIS	SCHRAUBE	TORNILLO
#	M80A00267	C00545	VITE TBEI 8.8 M8X16 ISO 7380 ZINC TESTA BOMBATA	SCREW	VIS	SCHRAUBE	TORNILLO
#	M85A00078	C02605	DADO AUTOBLOC ALTO 8 M12 H=14 UNI 7473	NUT	BOULONS	NUT	DADO
#	M85A00096	C02681	DADO FLANGIATO ZIGRINATO 8 M8 DIN-6923	NUT	BOULONS	NUT	DADO
#	M90A00008	C03005	RONDELLA PIANA D.13 DIN125-A ZINC.	WASHER	RONDELLE	UNTERLEGSCHLEIBE	ARANDELLA
#	MB0A00087	C05004	SPINA A MOLLA D.4	SOCKET	GOUPILLE	STECKER	PASADOR
#	C10A02138	D08266	PIEG. TRAVERSO POST TELAIO AS1 - AS3	BENT	PLIE	GEBOGEN	PLEGADO
#	C05A05894	D08344	SPESSORE SCORRIMENTO SP3MM	THICKNESS	CALES	DICKE	ESPEJOR
#	C10A02169	D08346	SERRANDA SCARICO RAPIDO S1	ROLLER SHUTTER	AMORTISSEUR	DÄMPFER	PERSIANA
#	C05A05938	D08467	FLANGIA CHIUSURA RECUPERO SEME sp4mm	FLANGE	FLANC	FLANSCH	FLANGE
#	C05A06241	D09521	TAPPO TRAMOGGIA FRONTALE AS3 sp.4mm	PLUG	BOUCHON	STOEPSSEL	ENCHUFE
#	E15A00067	D10988	"TABELLA ""F"" TIPO B1 423X282 TPESC 3117"	TABLE	TABLE	TAFFEL	CUADRO
#	E15A00068	D10989	"TABELLA ""F"" TIPO B2 423X282 TPESC 3117"	TABLE	TABLE	TAFFEL	CUADRO
#	C10A02745	D11653	SUPPORTO FARO ANT. DESTRO TRAM. AS3	SUPPORT	SUPPORT	STUTZE	APOYO
#	C10A02746	D11654	SUPPORTO FARO ANT. SINISTRO TRAM. AS3	SUPPORT	SUPPORT	STUTZE	APOYO
#	C05A06863	D11717	BISCOTTO 2FORI D.13 PASSO 85 SP.6	PLATE	LAME	PLATTE	GALLETA
#	C20A01342	E07532	COLLETTORE TRAMOGGIA-DOSATORE	MANIFOLD	COLLECTEUR	SAMMELROHR	COLECCIONISMO
#	C20A01455	E08376	PIASTRA SCARICO RAPIDO S1	PLATE	PLAQUE	PLATTE	PLACA
#	E15A00095		GRUPPO PROIETTORE ANTERIORE DESTRO	ASSEMBLY OVERVIEW	GROUPE	EINHEIT-UEBERBLICK	GRUPO
#	E15A00096		GRUPPO PROIETTORE ANTERIORE SINISTRO	ASSEMBLY OVERVIEW	GROUPE	EINHEIT-UEBERBLICK	GRUPO
#	E15A00097		FARETTO CABINA H3	LIGHT	LUMIERE	LICHT	LÁMPARAS



100692\_01\_f1



## Tramoggia anteriore

Front seed hopper

Tremie

Saatkasten

Drawing Code: **100692\_1\_f1**

Accessories:

N°	Code	Old.	Descrizione / Description	GB	FR	D	E
#	M80A00098	C00111	VITE TE 88 PG FT M6X20 ZINC UNI 5739	SCREW	VIS	SCHRAUBE	TORNILLO
#	M80A00267	C00545	VITE TBEI 8.8 M8X16 ISO 7380 ZINC TESTA BOMBATA	SCREW	VIS	SCHRAUBE	TORNILLO
#	M80A00268	C00547	VITE TBEI 8.8 M8X25 ISO 7380 ZINC TESTA BOMB	SCREW	VIS	SCHRAUBE	TORNILLO
#	M85A00073	C02602	DADO AUTOBLOC ALTO 8 M6 H=7.8 UNI 7473	NUT	BOULONS	NUT	DADO
#	M85A00096	C02681	DADO FLANGIATO ZIGRINATO 8 M8 DIN-6923	NUT	BOULONS	NUT	DADO
#	C10A03715		SLITTA AD U COPERCHIO TRAMOGGIA INOX	SKID	PATTINS	SLED	TRINEO
#	C10A03742		SPONDA ANT.COPERCHIO CURVO TRAM.	SIDE	COTE	SEITENKLAPPE	ESPONJA
#	C10A03743		SPONDA POST.COPERCHIO CURVO TRAM.	SIDE	COTE	SEITENKLAPPE	ESPONJA
#	C10A03744		SPONDA SIN COPERCHIO CURVO TRAM	SIDE	COTE	SEITENKLAPPE	ESPONJA
#	C10A03745		SPONDA DES. COPERCHIO CURVO TRAM.	SIDE	COTE	SEITENKLAPPE	ESPONJA
#	C10A03746		PARETE CENTRALE COPERCHIO CURVO TRAM	WALL	MUR	WAND	PARED
#	MH5A00002	C50301	GANCIO COBRA GRIGIO GRANDE 2fori i=30 M6	HOOK	ATTACHE	HAKEN	ENGANCHE
#	G10A00030	C50649	PIATTINA UN LATO ADESIVO 30 X 3 POLIETIE	METAL STRAP	METAL DEPLOYE	BANDEISEN	PLATILLO
#	C10A02119	D08230	SPONDA ANTERIORE TRAMOGGIA AS1	SIDE	COTE	SEITENKLAPPE	ESPONJA
#	C10A02121	D08234	SPONDA POSTERIORE TRAMOGGIA AS1	SIDE	COTE	SEITENKLAPPE	ESPONJA
#	C10A02123	D08237	SPONDA SINISTRA TRAMOGGIA AS1	SIDE	COTE	SEITENKLAPPE	ESPONJA
#	C10A02124	D08238	SPONDA DESTRA TRAMOGGIA AS1	SIDE	COTE	SEITENKLAPPE	ESPONJA
#	C05A05898	D08350	SQUADRA RINFORZO sp6mm	RIGHT-ANGLE JUNCTION	TEAM	RECHTWINKIGE VERBINDUNG	EQUIPO
#	C05A06030	D08722	TAPPO FORO SCARICO TRAM. AS sp2mm	PLUG	BOUCHON	STOEPSSEL	ENCHUFE

## Coperchio tramoggia

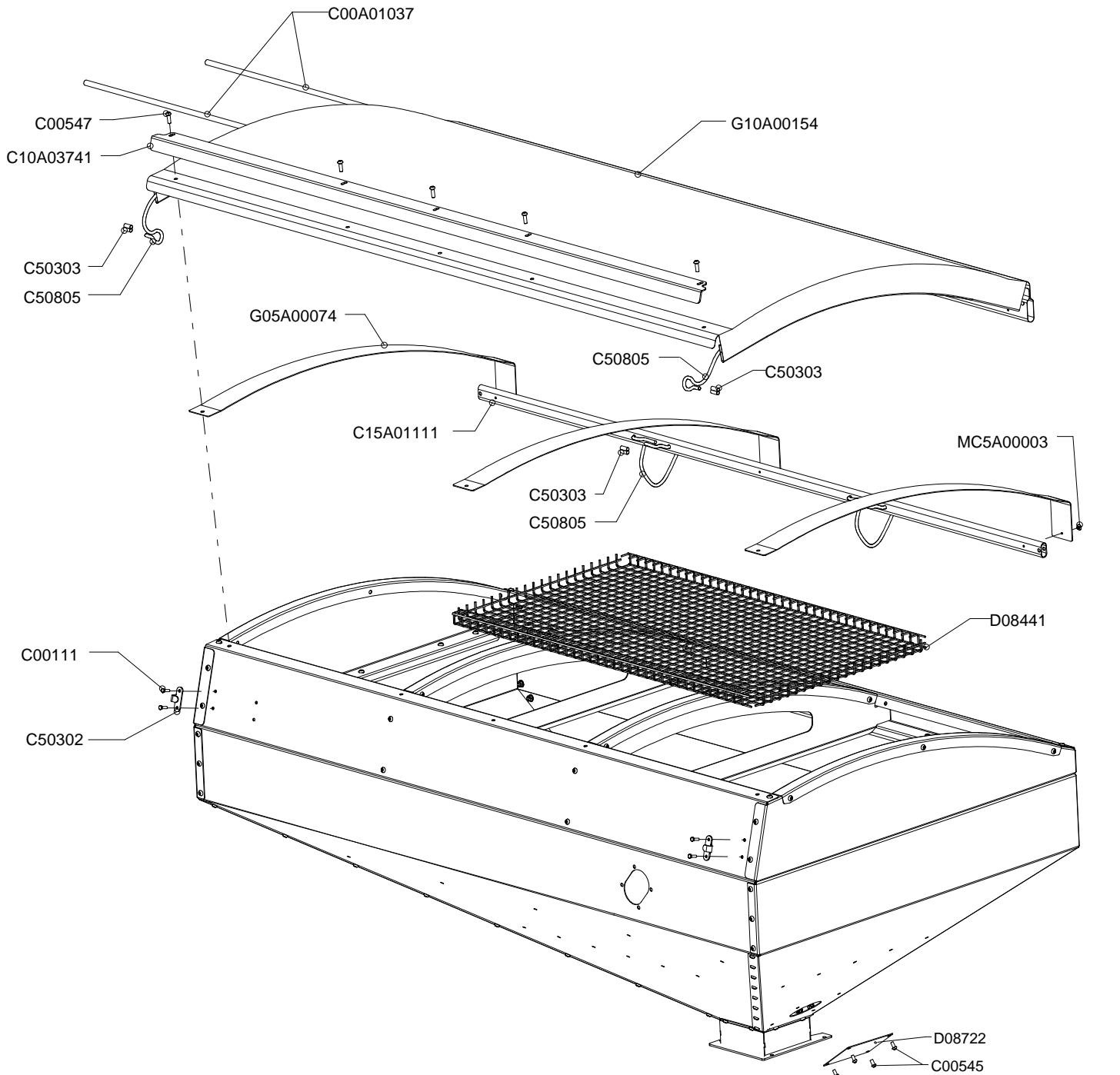
Seed hopper cover

Le couvercle du tremie

Saatkasten

Drawing Code: **100692\_1\_f2**

Accessories:



100692\_01\_f2



## Coperchio tramoggia

Seed hopper cover

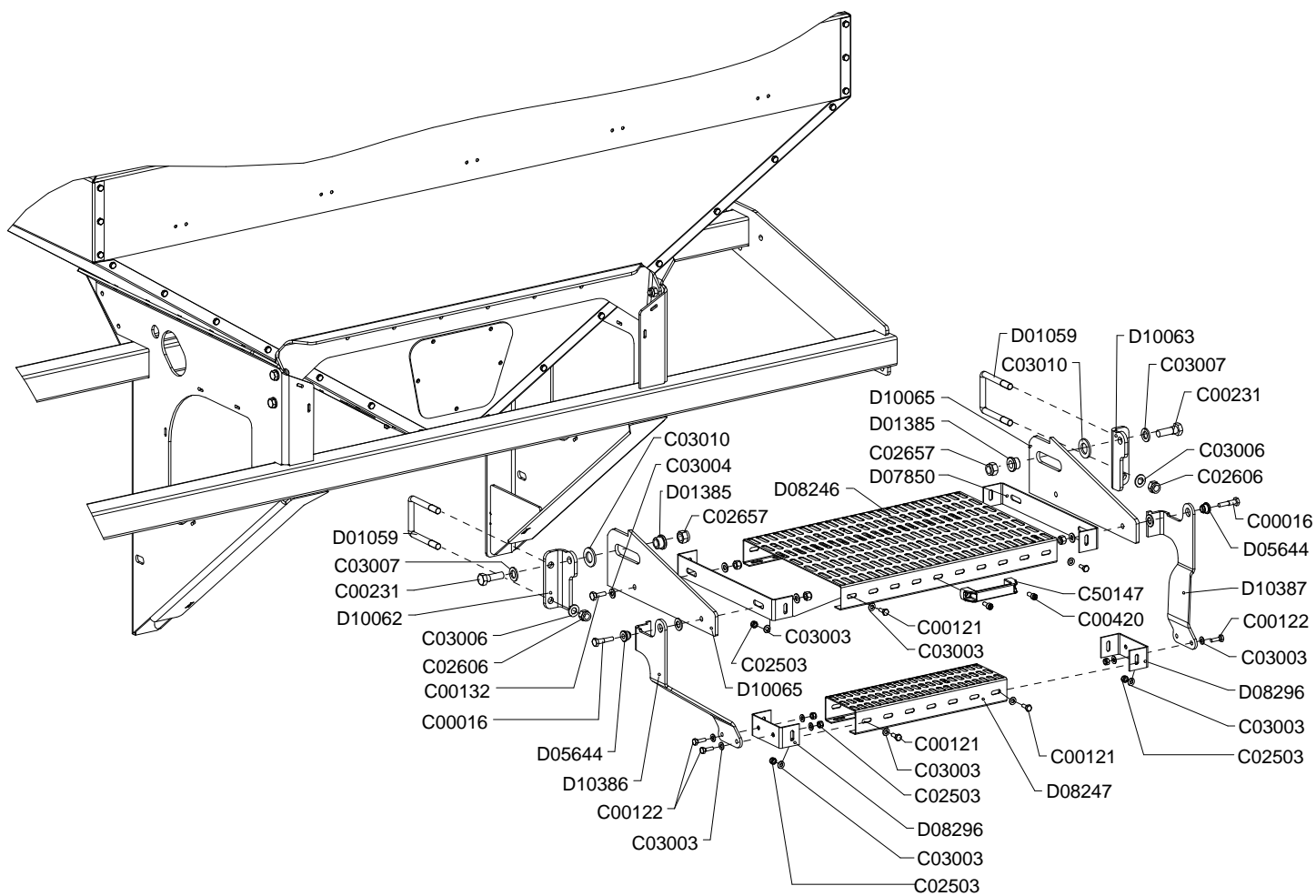
Le couvercle du tremie

Saatkasten

Drawing Code: **100692\_1\_f2**

Accessories:

N°	Code	Old.	Descrizione / Description	GB	FR	D	E
#	M80A00098	C00111	VITE TE 88 PG FT M6X20 ZINC UNI 5739	SCREW	VIS	SCHRAUBE	TORNILLO
#	M80A00267	C00545	VITE TBEI 8.8 M8X16 ISO 7380 ZINC TESTA BOMBATA	SCREW	VIS	SCHRAUBE	TORNILLO
#	M80A00268	C00547	VITE TBEI 8.8 M8X25 ISO 7380 ZINC TESTA BOMB	SCREW	VIS	SCHRAUBE	TORNILLO
#	C00A01037		TUBO ALLUMINIO D.14XD.10 L=2100	TUBE	TUBE	ROHR	TUBO
#	C10A03741		ANGOLO FERMO COPERCHIO CURVO 3MM	ANGLE	ANGULAIRE	WINKEL	Ángulo
#	C15A01111		TUBO OVALE 40X20X2 L=2140 TELO AS	TUBE	TUBE	ROHR	TUBO
#	MH5A00003	C50302	GANCIO BECCO D'ACQUILA 2fori i=45mm M6g	HOOK	ATTACHE	HAKEN	ENGANCHE
#	MH5A00004	C50303	FERMO CORDA ELASTICA D.8mm	MECH. STOP	FERMETURE	MECH. SPERRUNG	PARADO
#	MJ0A00003	C50805	CORDA ELASTICA D.8 GRIGIO TELO	ROPE	CORDE	SEIL	CUERDA
#	C10A02193	D08441	RETE TRAMOGGIA 640x1144	NETWORK	FILET	NETZ	RED
#	C05A06030	D08722	TAPPO FORO SCARICO TRAM. AS sp2mm	PLUG	BOUCHON	STOEPSSEL	ENCHUFE
#	G05A00074		FASCIA POLIETILENE TELO CURVO TRAMOGGIA AS	CLIP	FASCIA	BAND	BANDA
#	G10A00154		TELO TRAMOGGIA CURVA PVC BLU (RAL 5005)	CLOTH	TOILE	BAHN	PIEZA DE TELA
#	MC5A00003		RIVETTO STRAPPO ALL. T.LARGA D.4.8X10X14	RIVETS	RIVETS	NIETEN	REMACHES



100693\_00



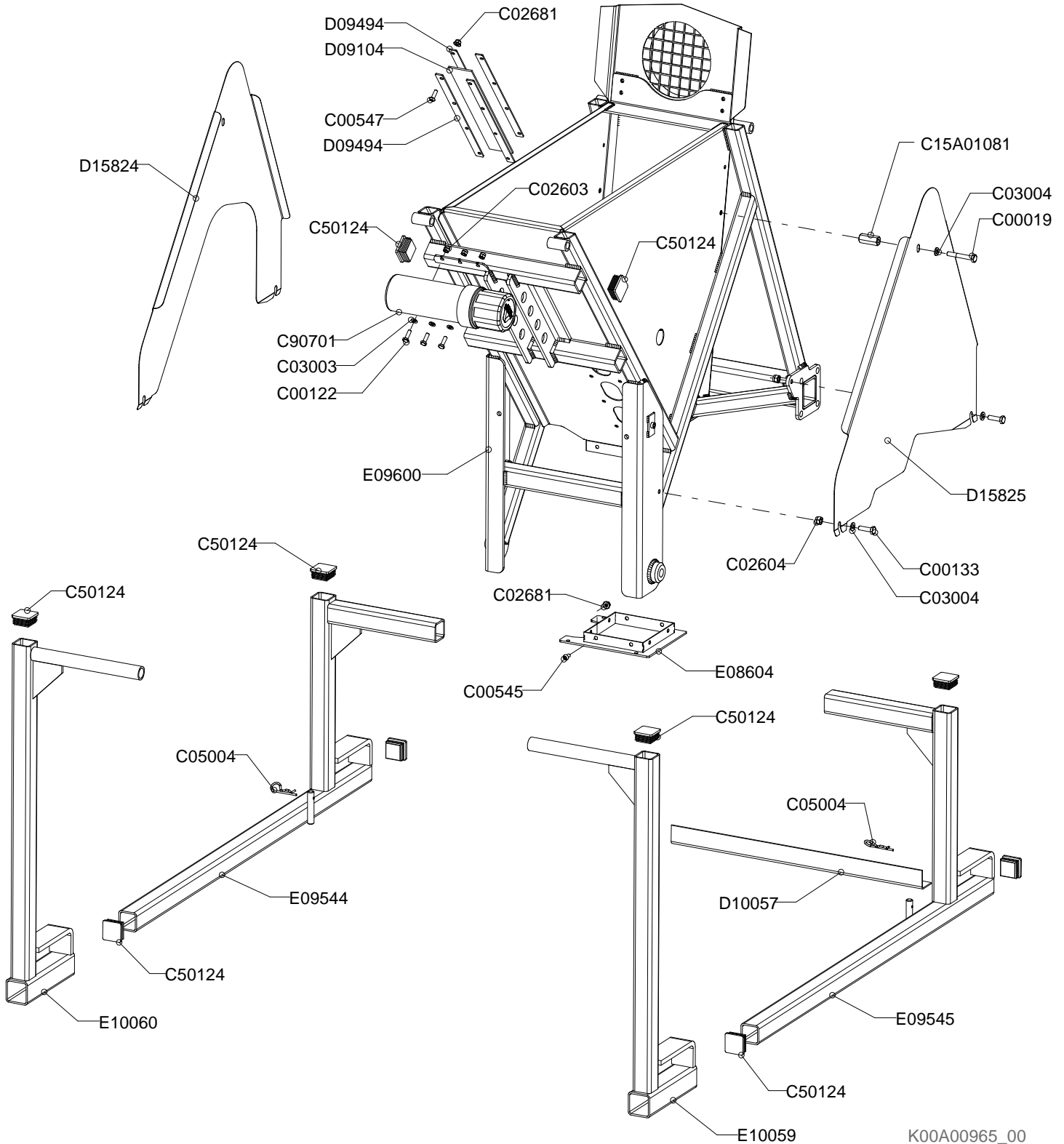
**Pedana**  
Footboardz  
Plateforme  
Arbeitsbuhne

Drawing Code: **100693\_0**

Accessories:

N°	Code	Old.	Descrizione / Description	GB	FR	D	E
#	M80A00013	C00016	VITE TE 88 PG FP M10X45 ZINC UNI 5737	SCREW	VIS	SCHRAUBE	TORNILLO
#	M80A00110	C00121	VITE TE 88 PG FT M8X20 ZINC UNI 5739	SCREW	VIS	SCHRAUBE	TORNILLO
#	M80A00111	C00122	VITE TE 88 PG FT M8X25 ZINC UNI 5739	SCREW	VIS	SCHRAUBE	TORNILLO
#	M80A00120	C00132	VITE TE 88 PG FT M10X30 ZINC UNI 5739	SCREW	VIS	SCHRAUBE	TORNILLO
#	M80A00180	C00231	VITE TE 88 PF FP M16X1,5X50 ZINC UNI 5738	SCREW	VIS	SCHRAUBE	TORNILLO
#	M80A00235	C00420	VITE TCEI PG M8X20 ZINC UNI 5931	SCREW	VIS	SCHRAUBE	TORNILLO
#	M85A00056	C02503	DADO AUTOBLOC BASSO 8 PG M8 H=8 UNI 7474	NUT	BOULONS	NUT	DADO
#	M85A00079	C02606	DADO AUTOBLOC ALTO 8 M14 H=16 UNI 7473	NUT	BOULONS	NUT	DADO
#	M85A00089	C02657	DADO AUTOBLOC ALTO 8 M16X1,5 H=18 UNI 7473	NUT	BOULONS	NUT	DADO
#	M90A00005	C03003	RONDELLA PIANA D.8,4 DIN125-A ZINC.	WASHER	RONDELLE	UNTERLEGSCHIEBE	ARANDELLA
#	M90A00007	C03004	RONDELLA PIANA D.10,5 DIN125-A ZINC.	WASHER	RONDELLE	UNTERLEGSCHIEBE	ARANDELLA
#	M90A00009	C03006	RONDELLA PIANA D.15 DIN125-A ZINC.	WASHER	RONDELLE	UNTERLEGSCHIEBE	ARANDELLA
#	M90A00010	C03007	RONDELLA PIANA D.17 DIN125-A ZINC.	WASHER	RONDELLE	UNTERLEGSCHIEBE	ARANDELLA
#	M90A00013	C03010	RONDELLA PIANA D.25 DIN125-A ZINC.	WASHER	RONDELLE	UNTERLEGSCHIEBE	ARANDELLA
#	G10A00020	C50147	MANIGLIA PLASTICA NERA 2 FORI D.8 l=120	HANDLE	MANILLE	GRIFF	MANGO
#	MD5A00002	D01059	CAVALLOTTO QUADRO M14 T70X70X105	PIN	CAVALLIER	STIFT	CAVALLOTTI
#	C15A00062	D01385	BUSSOLA D25/32 D.16,5 L.18,5 CARBON+ZINC	BUSHING	ENTRETOISE	BUCHSE	BRUJULA
#	C15A00397	D05644	DIST. D.25-19-14 d.10,5 L.16,5 carb+zinc	SPACER	ENTRETOISE	ABSTANDSTUECK	ESPACIADORES
#	C10A02022	D07850	TERMINALE PEDANA DA 400 INTERNO ZINC.	TERMINAL	TERMINAL	TERMINAL	TERMINALES
#	C10A02128	D08246	PEDANA ANTISCIVOLO GE 400X600 SP.2MM	FOOTBOARD	REPOSE-PIED	TRITTBRETT	PLATAFORMA
#	C10A02129	D08247	PEDANA ANTISCIVOLO GE 125X420 SP.2MM	FOOTBOARD	REPOSE-PIED	TRITTBRETT	PLATAFORMA
#	C10A02149	D08296	TERMINALE PEDANA DA 125 INTERNO ZINC.	TERMINAL	TERMINAL	TERMINAL	TERMINALES
#	C10A02468	D10062	ANGOLO DESTRO PEDANA TRAM. ANT. AS3	ANGLE	ANGULAIRE	WINKEL	Ángulo
#	C10A02469	D10063	ANGOLO SINISTRO PEDANA TRAM. ANT. AS3	ANGLE	ANGULAIRE	WINKEL	Ángulo
#	C05A06401	D10065	FIANCO PEDANA TRAMOGGIA ANTER. AS3 8mm	SIDE	LONG	NEBEN	JUNTO
#	C10A02572	D10386	FIANCO DESTRO SCALINO PEDANA AS3	SIDE	LONG	NEBEN	JUNTO
#	C10A02573	D10387	FIANCO SINISTRO SCALINO PEDANA AS3	SIDE	LONG	NEBEN	JUNTO







## Telaio posteriore

Frame

Chassis

Rahmen

Drawing Code: **K00A00965\_0**

Accessories:

N°	Code	Old.	Descrizione / Description
#	M80A00016	C00019	VITE TE 88 PG FP M10X70 ZINC UNI 5737
#	M80A00111	C00122	VITE TE 88 PG FT M8X25 ZINC UNI 5739
#	M80A00121	C00133	VITE TE 88 PG FT M10X35 ZINC UNI 5739
#	M80A00267	C00545	VITE TBEI 8.8 M8X16 ISO 7380 ZINC TESTA BOMBATA
#	M80A00268	C00547	VITE TBEI 8.8 M8X25 ISO 7380 ZINC TESTA BOMB
#	M85A00075	C02603	DADO AUTOBLOC ALTO 8 M8 H=10.6 UNI 7473
#	M85A00077	C02604	DADO AUTOBLOC ALTO 8 M10 H=11.5 UNI 7473
#	M85A00096	C02681	DADO FLANGIATO ZIGRINATO 8 M8 DIN-6923
#	M90A00005	C03003	RONDELLA PIANA D.8,4 DIN125-A ZINC.
#	M90A00007	C03004	RONDELLA PIANA D.10,5 DIN125-A ZINC.
#	MB0A00087	C05004	SPINA A MOLLA D.4
#	C15A01081	D16540	DIST. ESAG CH 20 L=50MM M10 ZINC
#	G10A00010	C50124	TAPPO PLASTICA TUBO 50X50X5
#	Q25A00118	C90701	TUBO PORTADOCUMENTI BLU D.100 L=320
#	G05A00008	D09104	PANNELLO ACRILICO 360X65 sp 4mm ***
#	C05A06231	D09494	PIATTINO BLOCCAGGIO PLEXIGLASS 3MM
#	C15A00581	D10057	ANGOLO GAMBE AS2 - AS3 50X50X3X750 2 FORI
#	C10A03509	D15824	PIEG. CARTER DES AS4 POWER SP 2MM
#	C10A03510	D15825	PIEG. CARTER SIN AS4 POWER SP 2MM
#	C20A01486	E08604	COLLETTORE TRAMOGGIA-DOSATORE AS2 - AS3
#	C20A01643	E09544	GAMBA DESTRA AS2 - AS3
#	C20A01644	E09545	GAMBA SINISTRA AS2 - AS3
#	C20A01649	E09600	TELAIO TRAMOGGIA AS3
#	C20A01717	E10059	GAMBA SCORREVOLE SINISTRA AS2 - AS3
#	C20A01718	E10060	GAMBA SCORREVOLE DESTRA AS2 - AS3

GB	FR	D	E
SCREW	VIS	SCHRAUBE	TORNILLO
SCREW	VIS	SCHRAUBE	TORNILLO
SCREW	VIS	SCHRAUBE	TORNILLO
SCREW	VIS	SCHRAUBE	TORNILLO
SCREW	VIS	SCHRAUBE	TORNILLO
NUT	BOULONS	NUT	DADO
NUT	BOULONS	NUT	DADO
NUT	BOULONS	NUT	DADO
WASHER	RONDELLE	UNTERLEGSCHLEIBE	ARANDELLA
WASHER	RONDELLE	UNTERLEGSCHLEIBE	ARANDELLA
SOCKET	GOUPILLE	STECKER	PASADOR
SPACER	ENTRETOISE	ABSTANDSTUECK	ESPACIADORES
PLUG	BOUCHON	STOEPSSEL	ENCHUFE
TUBE	TUBE	ROHR	TUBO
PANEL	PANNEAU	BRETT	PANEL DE
METAL STRAP	METAL DEPLOYE	BANDEISEN	PLATILLO
ANGLE	ANGULAIRE	WINKEL	Ángulo
BENT	PLIE	GEBOGEN	PLEGADO
BENT	PLIE	GEBOGEN	PLEGADO
MANIFOLD	COLLECTEUR	SAMMELROHR	COLECCIONISMO
LEG	BEQUILLE	BEIN	PATA
LEG	BEQUILLE	BEIN	PATA
FRAME	CHASSIS	RAHMEN	MARCO
LEG	BEQUILLE	BEIN	PATA
LEG	BEQUILLE	BEIN	PATA

## Supporto fungo e catene

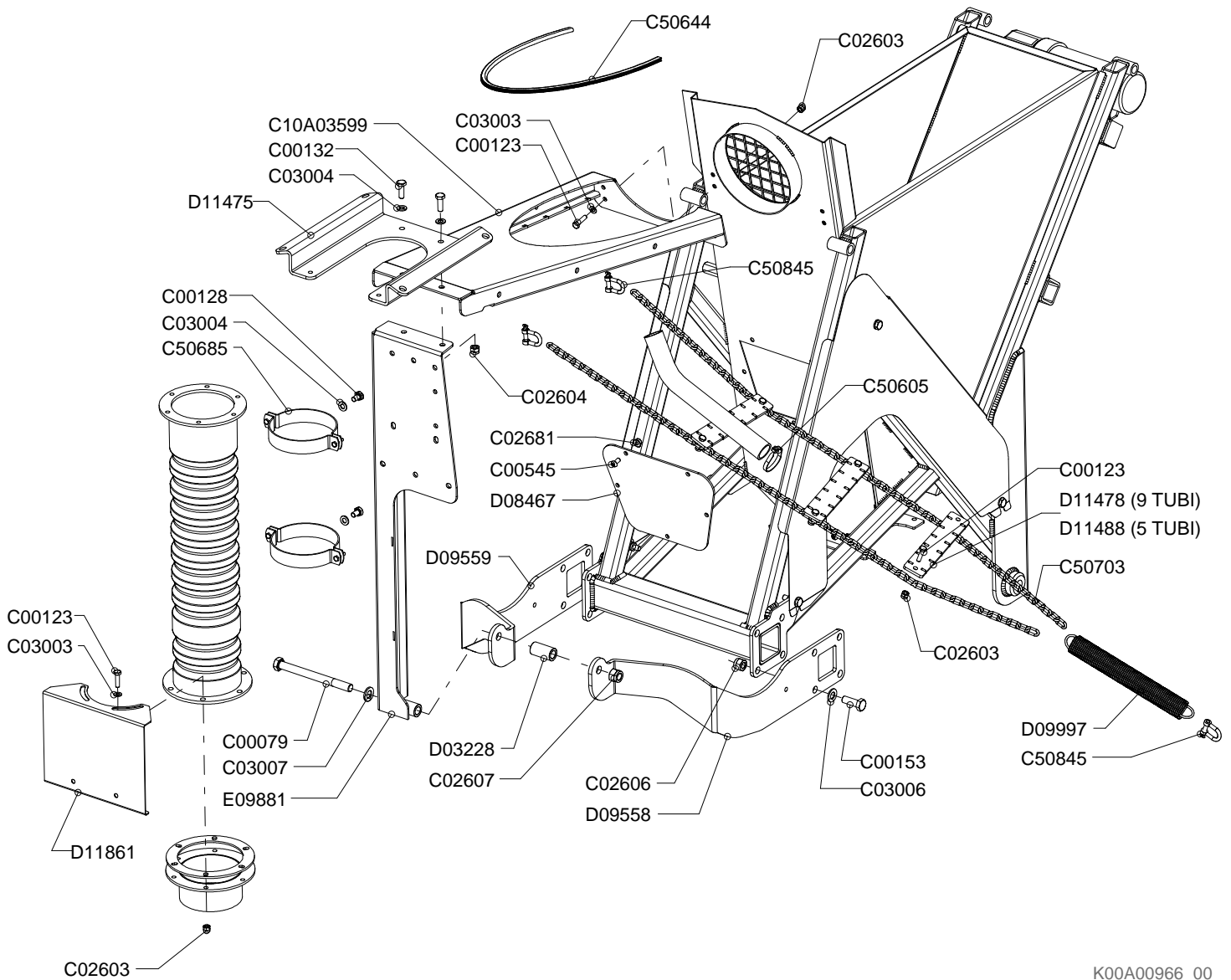
Support distributor and chains

Support de distribution et des chaînes

Unterstützung Verteiler und Ketten

Drawing Code: **K00A00966\_0**

Accessories:



K00A00966\_00



## Supporto fungo e catene

Support distributor and chains

Support de distribution et des chaînes

Unterstützung Verteiler und Ketten

Drawing Code: **K00A00966\_0**

Accessories:

N°	Code	Old.	Descrizione / Description	GB	FR	D	E
#	M80A00072	C00079	VITE TE 88 PG FP M16x180 ZINC UNI 5737	SCREW	VIS	SCHRAUBE	TORNILLO
#	M80A00112	C00123	VITE TE 88 PG FT M8X30 ZINC UNI 5739	SCREW	VIS	SCHRAUBE	TORNILLO
#	M80A00116	C00128	VITE TE 88 PG FT M10X16 ZINC UNI 5739	SCREW	VIS	SCHRAUBE	TORNILLO
#	M80A00120	C00132	VITE TE 88 PG FT M10X30 ZINC UNI 5739	SCREW	VIS	SCHRAUBE	TORNILLO
#	M80A00138	C00153	VITE TE 88 PG FT M14X40 ZINC UNI 5739	SCREW	VIS	SCHRAUBE	TORNILLO
#	M80A00267	C00545	VITE TBEI 8.8 M8X16 ISO 7380 ZINC TESTA BOMBATA	SCREW	VIS	SCHRAUBE	TORNILLO
#	M85A00075	C02603	DADO AUTOBLOC ALTO 8 M8 H=10.6 UNI 7473	NUT	BOULONS	NUT	DADO
#	M85A00077	C02604	DADO AUTOBLOC ALTO 8 M10 H=11.5 UNI 7473	NUT	BOULONS	NUT	DADO
#	M85A00079	C02606	DADO AUTOBLOC ALTO 8 M14 H=16 UNI 7473	NUT	BOULONS	NUT	DADO
#	M85A00080	C02607	DADO AUTOBLOC ALTO 8 M16 H=18 UNI 7473	NUT	BOULONS	NUT	DADO
#	M85A00096	C02681	DADO FLANGIATO ZIGRINATO 8 M8 DIN-6923	NUT	BOULONS	NUT	DADO
#	M90A00005	C03003	RONDELLA PIANA D.8,4 DIN125-A ZINC.	WASHER	RONDELLE	UNTERLEGSCHIEBE	ARANDELLA
#	M90A00007	C03004	RONDELLA PIANA D.10,5 DIN125-A ZINC.	WASHER	RONDELLE	UNTERLEGSCHIEBE	ARANDELLA
#	M90A00009	C03006	RONDELLA PIANA D.15 DIN125-A ZINC.	WASHER	RONDELLE	UNTERLEGSCHIEBE	ARANDELLA
#	M90A00010	C03007	RONDELLA PIANA D.17 DIN125-A ZINC.	WASHER	RONDELLE	UNTERLEGSCHIEBE	ARANDELLA
#	C10A03599	D16353	CARTER SUP FUNGO AS4	HOUSING	CARTER	GEHAUSE	CARTER
#	MH5A00015	C50605	FASCETTA CABLAGGIO 7.6 X 240 NERE	CLIP	RIVELSAN	BAND	BANDAS
#	G10A00027	C50644	GUARNIZ X SPIGOLI NERA LAM SP2MM 1010-10	GASKET	GARNITURE	DICHTUNG	GUARNICION
#	MH5A00037	C50685	"COLLARE SOSTEGNO D.140 (5") ZINCATO 1 PZ"	METAL RING	COLLARE	METALLRING	COLLAR
#	MH0A00002	C50703	CATENA GENOVESE 4,4X30X17,5 (NR.20) ZINC.	CHAIN	CHAINE	KETTE	CADENA
#	MH0A00010	C50845	GRILLO DIRITTO CON PERNO CIRCOLARE D.8MM	CLEVIS	GRILLO	FLUEGELSCHRAUBE	GRILLO
#	C15A00238	D03228	DIST. D.26,9 D.16,25 L.50 ZINC	SPACER	ENTRETOISE	ABSTANDSTUECK	ESPACIADORES
#	C05A05938	D08467	FLANGIA CHIUSURA RECUPERO SEME sp4mm	FLANGE	FLANC	FLANSCH	FLANGE
#	C10A02384	D09558	LAMA DESTRA SUPP. FUNGO AS2/AS3	METAL PLATE	LAME	METALL-PLATTE	CUCHILLA
#	C10A02385	D09559	LAMA SINISTRA SUPP. FUNGO AS2/AS3	METAL PLATE	LAME	METALL-PLATTE	CUCHILLA
#	MF5A00037	D09997	MOLLA TRAZ. DE=38 FILO=4 L.UT=270 ZINC	SPRING	RESSORT	FEDER	MUELLE
#	C10A02698	D11475	SUPPORTO CATENA PER TUBI SEMINA AS2/3	SUPPORT	SUPPORT	STUTZE	APOYO
#	C05A06785	D11478	SAG. SUPPORTO TUBI DI SEMINA AS (9+9) 6MM	SHAPED	FORME	VERFORMT	HUECAS
#	C05A06789	D11488	SAG. SUPPORTO TUBI DI SEMINA AS (5+5) 6MM	SHAPED	FORME	VERFORMT	HUECAS
#	C10A02780	D11861	PORTA ADESIVO SU FUNGO AS1/2/3 2MM	DOOR	PORTE	TUER	PUERTA
#	C20A01693	E09881	SUPP. SALD. FUNGO AS3	SUPPORT	SUPPORT	STUTZE	APOYO

## Coperchio posteriore

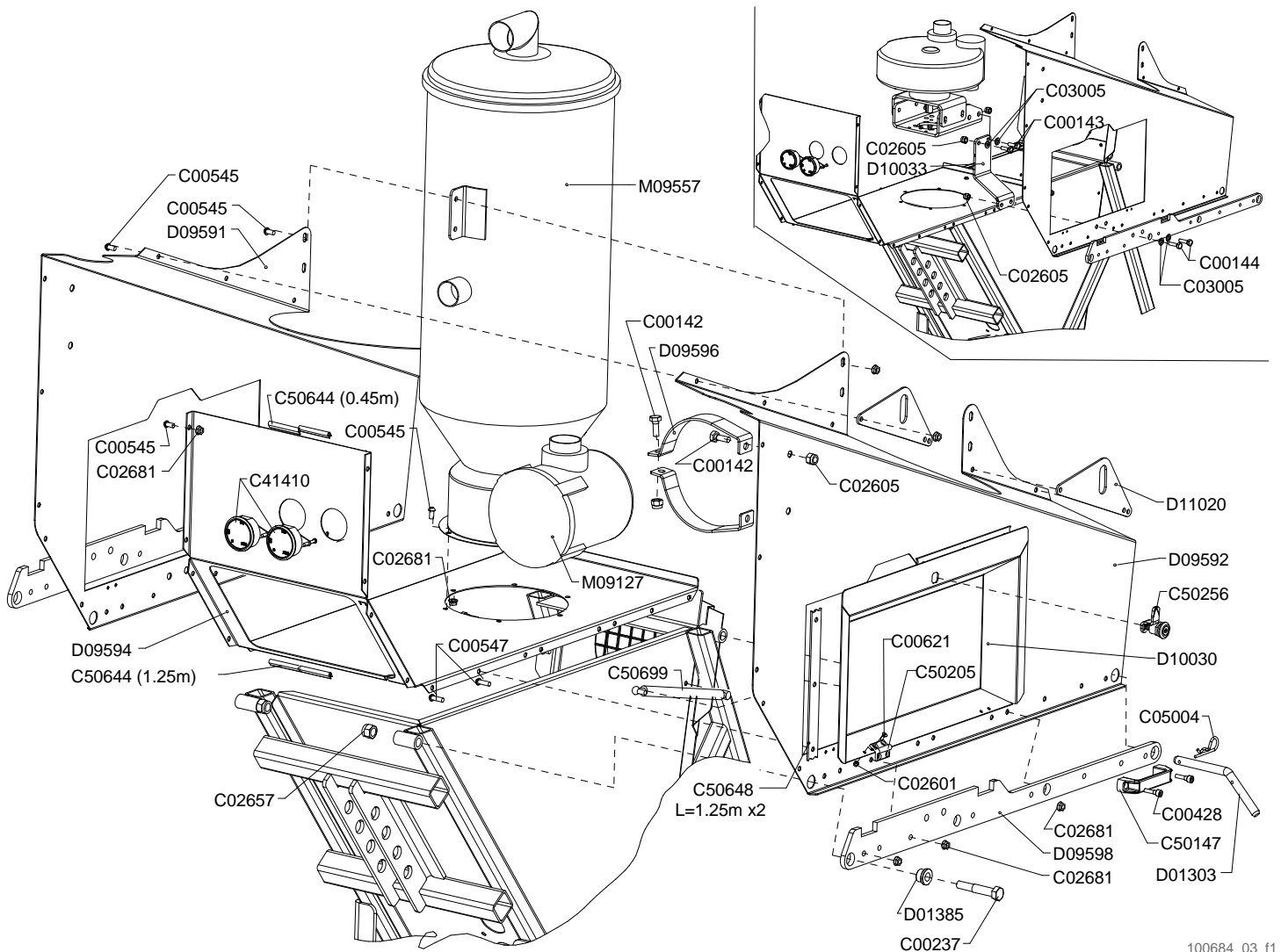
Cover

Couvercle

Abdeckung

Drawing Code: **100684\_3\_f1**

Accessories:



100684\_03\_f1



## Coperchio posteriore

Cover

Couvercle

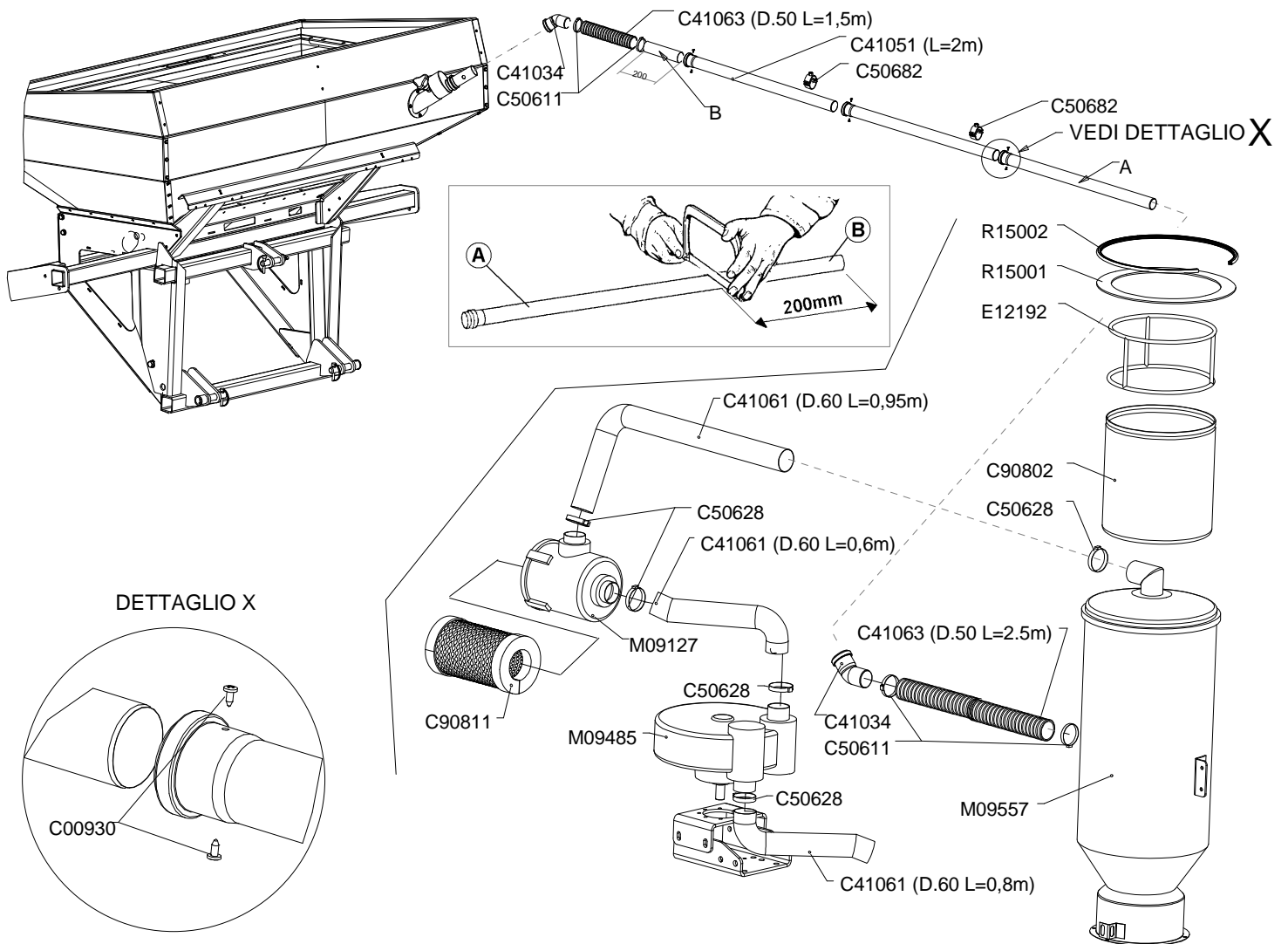
Abdeckung

Drawing Code: **100684\_3\_f1**

Accessories:

N°	Code	Old.	Descrizione / Description	GB	FR	D	E
#	M80A00129	C00142	VITE TE 88 PG FT M12X30 ZINC UNI 5739	SCREW	VIS	SCHRAUBE	TORNILLO
#	M80A00130	C00143	VITE TE 88 PG FT M12X35 ZINC UNI 5739	SCREW	VIS	SCHRAUBE	TORNILLO
#	M80A00131	C00144	VITE TE 88 PG FT M12X40 ZINC UNI 5739	SCREW	VIS	SCHRAUBE	TORNILLO
#	M80A00186	C00237	VITE TE 88 PF FP M16X1,5X90 ZINC UNI 573	SCREW	VIS	SCHRAUBE	TORNILLO
#	M80A00241	C00428	VITE TCEI PG M8X30 ZINC UNI 5931	SCREW	VIS	SCHRAUBE	TORNILLO
#	M80A00267	C00545	VITE TBEI 8.8 M8X16 ISO 7380 ZINC TESTA BOMBATA	SCREW	VIS	SCHRAUBE	TORNILLO
#	M80A00268	C00547	VITE TBEI 8.8 M8X25 ISO 7380 ZINC TESTA BOMB	SCREW	VIS	SCHRAUBE	TORNILLO
#	M80A00277	C00621	VITE TSPEI 10.9 PG M5X14 ZINC UNI 5933	SCREW	VIS	SCHRAUBE	TORNILLO
#	M85A00072	C02601	DADO AUTOBLOC ALTO 8 M5 H=6.7 UNI 7473	NUT	BOULONS	NUT	DADO
#	M85A00078	C02605	DADO AUTOBLOC ALTO 8 M12 H=14 UNI 7473	NUT	BOULONS	NUT	DADO
#	M85A00089	C02657	DADO AUTOBLOC ALTO 8 M16X1,5 H=18 UNI 7473	NUT	BOULONS	NUT	DADO
#	M85A00096	C02681	DADO FLANGIATO ZIGRINATO 8 M8 DIN-6923	NUT	BOULONS	NUT	DADO
#	M90A00008	C03005	RONDELLA PIANA D.13 DIN125-A ZINC.	WASHER	RONDELLE	UNTERLEGSCHLEIBE	ARANDELLA
#	MB0A00087	C05004	SPINA A MOLLA D.4	SOCKET	GOUPILLE	STECKER	PASADOR
#	HA5A00007	C41410	MANOMETRO GLIC. 0-250 D.63 TIPO G 1/4 M (DA PARETE)	GAUGE	JAUGE	DRUCKANZEIGER	MANOMETRO
#	G10A00020	C50147	MANIGLIA PLASTICA NERA 2 FORI D.8 l=120	HANDLE	MANILLE	GRIFF	MANGO
#	MF0A00032	C50205	CERNIERA NERA 40X40 4 FORI M5	HINGE	CHARNIERE	SCHARNIER	BISAGRA
#	MF0A00034	C50256	CHIUSURA COMPLETA ANTIVIBRAZIONE	GATE	FERMETURE	VERSCHLUSS	CIERRE
#	G10A00027	C50644	GUARNIZ X SPIGOLI NERA LAM SP2MM 1010-10	GASKET	GARNITURE	DICHTUNG	GUARNICION
#	G10A00029	C50648	PIATTINA UN LATO ADESIVO 15 X 3 POLIETIE	METAL STRAP	METAL DEPLOYE	BANDEISEN	PLATILLO
#	MF5A00005	C50699	MOLLA A GAS 305/500 F=350N M8X20	SPRING	RESSORT	FEDER	MUELLE
#	M15A00014	D01303	PERNO D.16X200 UT.100 PIEGATO ZINC. ***	PIN	PIVOT	STIFT	PIN
#	C15A00062	D01385	BUSSOLA D25/32 D.16,5 L.18,5 CARBON+ZINC	BUSHING	ENTRETOISE	BUCHSE	BRUJULA
#	C10A02395	D09591	PARETE DESTRA COPERCHIO AS3	WALL	MUR	WAND	PARED
#	C10A02396	D09592	PARETE SINISTRA COPERCHIO AS3	WALL	MUR	WAND	PARED
#	C10A02397	D09594	PARETE INFERIORE COPERCHIO AS3	WALL	MUR	WAND	PARED
#	C10A02398	D09596	STAFFA SUPP. FILTRO AS3	BRACKET	SUPPORT	BUEGEL	SOPORTE
#	C05A06264	D09598	SAG. RINF. COPERCHIO AS3 SP.10MM	SHAPED	FORME	VERFORMT	HUECAS
#	C10A02460	D10030	SALD. SPORTELLO APRIBILE COPERCHIO AS3	WELDED	PAYÉ	GESCHWEISST	PAGADO
#	C10A02461	D10033	STAFFA SUPP. MOTORE ASPIRATORE AS3	BRACKET	SUPPORT	BUEGEL	SOPORTE
#	C05A06644	D11020	SAG. GANCIO SOLL. AS3 SP.4MM	SHAPED	FORME	VERFORMT	HUECAS
#	P25A00001	M09127	FILTRO IN LINEA FV (TUBO D.60)	FILTER	FILTRE	FILTER	FILTRO
#	M79A00109	M09557	SERBATOIO HLV330 D.360X1027 PER AS3	TANK	RESERVOIR	TANK	TANQUE





100684\_03\_f2





## Gruppo di aspirazione + trasporto seme

Group aspiration + transport seed

Groupe de aspiration + transport des graines

Gruppe Absaugung + Transport seed

Drawing Code: **100684\_3\_f2**

Accessories:

N°	Code	Old.	Descrizione / Description	GB	FR	D	E
#	M80A00369	C00930	VITE AUTOFIL. M4x10 (testa a stella)	SCREW	VIS	SCHRAUBE	TORNILLO
#	P15A00005	C41034	CURVA D.50 POLIPROPILENE GRIGIO RIGIDO D.30°	CURVE	COURBE	BOGEN	CURVO
#	P00A00005	C41051	TUBO PVC GRIGIO RIGIDO D.50 L=2M 1 BICCHIERE	TUBE	TUBE	ROHR	TUBO
#	P00A00008	C41061	TUBO EOLO CON SPIRALE D.60 int.	TUBE	TUBE	ROHR	TUBO
#	P00A00009	C41063	TUBO PU SPIRALE D.50 INT. ANTISTATICO	TUBE	TUBE	ROHR	TUBO
#	MH5A00021	C50611	FASCETTA STRINGITUBO D 40-60X9	CLIP	RIVELSAN	BAND	BANDAS
#	MH5A00029	C50628	FASCETTA STRINGITUBO D.60-80X12	CLIP	RIVELSAN	BAND	BANDAS
#	MH5A00036	C50682	COLLARE SOSTEGNO D.50MM ZINCATO 1 PZ	METAL RING	COLLARE	METALLRING	COLLAR
#	P20A00003	C90802	FILTRO POLIESTERE TRAMOG. M09557 AS3	FILTER	FILTRE	FILTER	FILTRO
#	P20A00004	C90811	FILTRO CARTUCCIA SICUREZZA M09127 AS3	FILTER	FILTRE	FILTER	FILTRO
#	C20A01954	E12192	ANELLO FILTRO DOPPIO AS3 D.295X140	RING	AMORTISSEUR	RING	ANILLO
#	P25A00001	M09127	FILTRO IN LINEA FV (TUBO D.60)	FILTER	FILTRE	FILTER	FILTRO
#	P10A00002	M09485	"ASPIRATORE K 06 MS STS BOCCHIE 2""	SUCTION FAN	ASPIRATEUR	ABSAUG-GEBLAESE	EXTRACTOR FAN
#	M79A00109	M09557	SERBATOIO HLV330 D.360X1027 PER AS3	TANK	RESERVOIR	TANK	TANQUE
#	C05A07892	R15001	ANELLO SUPPORTO FILTRO IN TESSUTO (C90802)	RING	AMORTISSEUR	RING	ANILLO
#	H30A00035	R15002	GUARNIZIONE SPIGOLI ANELLO SUPP FILTRO	GASKET	GARNITURE	DICHTUNG	GUARNICION

**Serbatoio in alluminio**

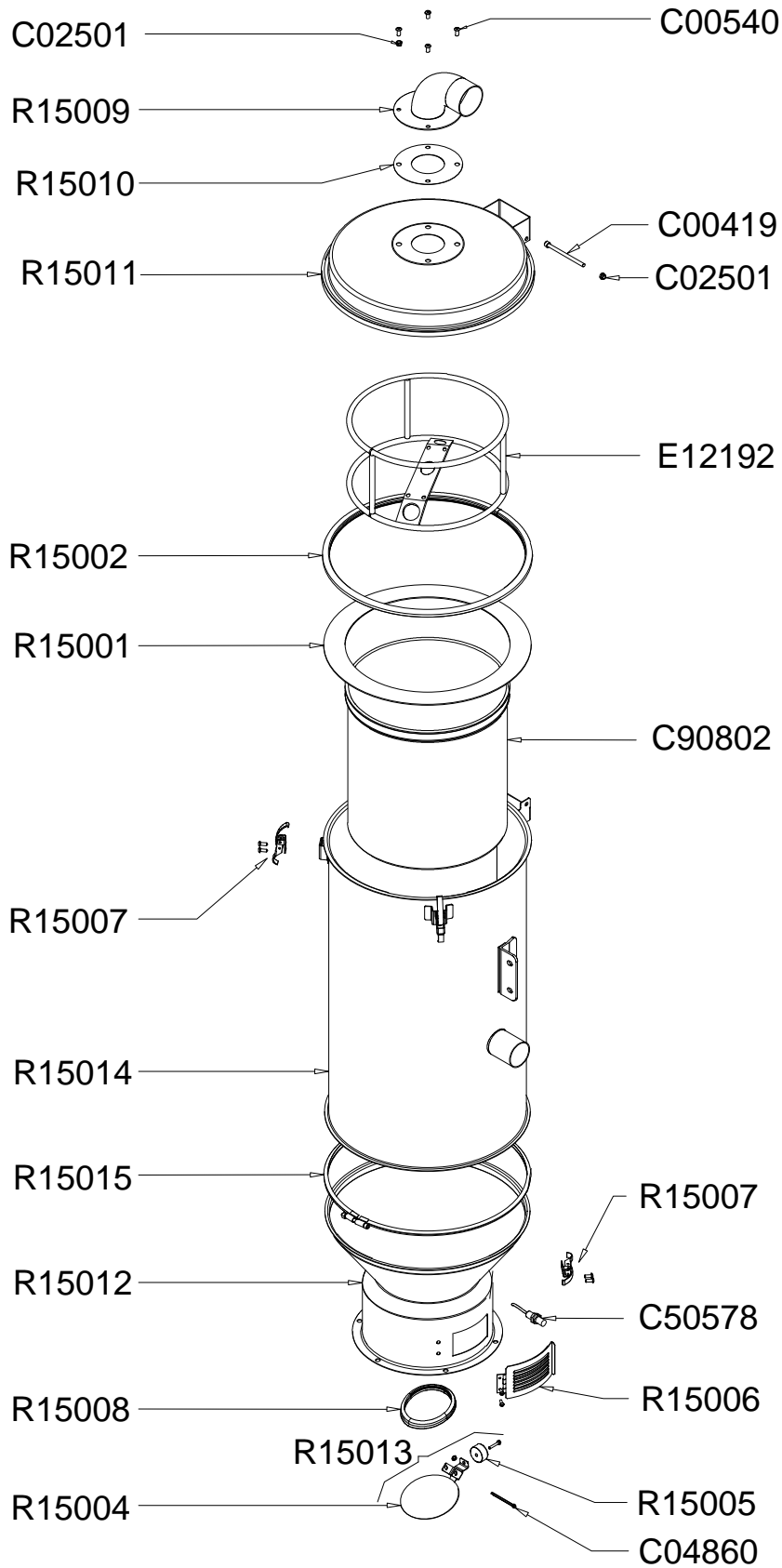
Aluminum tank

Réservoir en aluminium

Alu-Tank

Drawing Code: **100806\_0**

Accessories:



100806\_00



## Serbatoio in alluminio

Aluminum tank

Réservoir en aluminium

Alu-Tank

Drawing Code:

**100806\_0**

Accessories:

N°	Code	Old.	Descrizione / Description
#	M80A00234	C00419	VITE TCEI PG M6X90 ZINC UNI 5931
#	M80A00265	C00540	VITE TBEI 8.8 M6X16 ISO 7380 ZINC TESTA BOMB
#	M85A00055	C02501	DADO AUTOBLOC BASSO 8 PG M6 H=6 UNI 7474
#	MB5A00026	C04860	COPPIGLIA INOX 4X50 UNI 1336 DIN 94
#	E10A00026	C50578	SENSORE MAGN. CONNETTORE M12X50 NPN NA
#	P20A00003	C90802	FILTRO POLIESTERE TRAMOG. M09557 AS3
#	C20A01954	E12192	ANELLO FILTRO DOPPIO AS3 D.295X140
#	C05A07892	R15001	ANELLO SUPPORTO FILTRO IN TESSUTO (C90802)
#	H30A00035	R15002	GUARNIZIONE SPIGOLI ANELLO SUPP FILTRO
#	C20A02474	R15004	SPORTELLO INFERIORE CHIUSURA SERBATOIO
#	E15A00070	R15005	MAGNETE D.31X15
#	C15A00822	R15006	SPORTELLO ISPEZIONE TRAMOGGIA COMPL CERNIERA
#	MH5A00042	R15007	GANCIO CHIUSURA COMPLETO DI VITI
#	H30A00036	R15008	GUARNIZIONE DI TENUTA SPORTELLO INF TRAMOGGIA
#	C20A02475	R15009	RACCORDO COPERCHIO D.60 CON CURVA
#	H30A00037	R15010	GUARNIZIONE ADESIVA D.125/60 X4
#	C20A02476	R15011	COPERCHIO SERBATOIO MSM
#	C20A02477	R15012	BASE COMPLETA SERBATOIO MSM
#	E15A00071	R15013	PALETTA COMPLETA DI MAGNETE
#	C20A02478	R15014	CORPO SERBATOIO MSM
#	MH5A00043	R15015	ANELLO INOX D.360

GB	FR	D	E
SCREW	VIS	SCHRAUBE	TORNILLO
SCREW	VIS	SCHRAUBE	TORNILLO
NUT	BOULONS	NUT	DADO
COTTER PIN	GOUPILLE	SPLINT	COPPIGLIA
SENSOR	CAPTEUR	SENSOR	SENSOR
FILTER	FILTRE	FILTER	FILTRO
RING	AMORTISSEUR	RING	ANILLO
RING	AMORTISSEUR	RING	ANILLO
GASKET	GARNITURE	DICHTUNG	GUARNICION
DOOR	PORTE	TÜR	PUERTA
MAGNET	AIMANT	MAGNET	IMÁN
DOOR	PORTE	TÜR	PUERTA
HOOK	ATTACHE	HAKEN	ENGANCHE
GASKET	GARNITURE	DICHTUNG	GUARNICION
FITTING	RACCORD	ANSCHLUSS	RECONCILIACIÓN
GASKET	GARNITURE	DICHTUNG	GUARNICION
LID	COUVERCLE	DECKEL	TAPA
BASE	BASE	GRUNDFLAECHE	BASE
BLADE	PALETTE	SCHAUFEL	PALETA
BODY	CORPS	KOERPER	CUERPO
RING	AMORTISSEUR	RING	ANILLO

## Supporto aspiratore

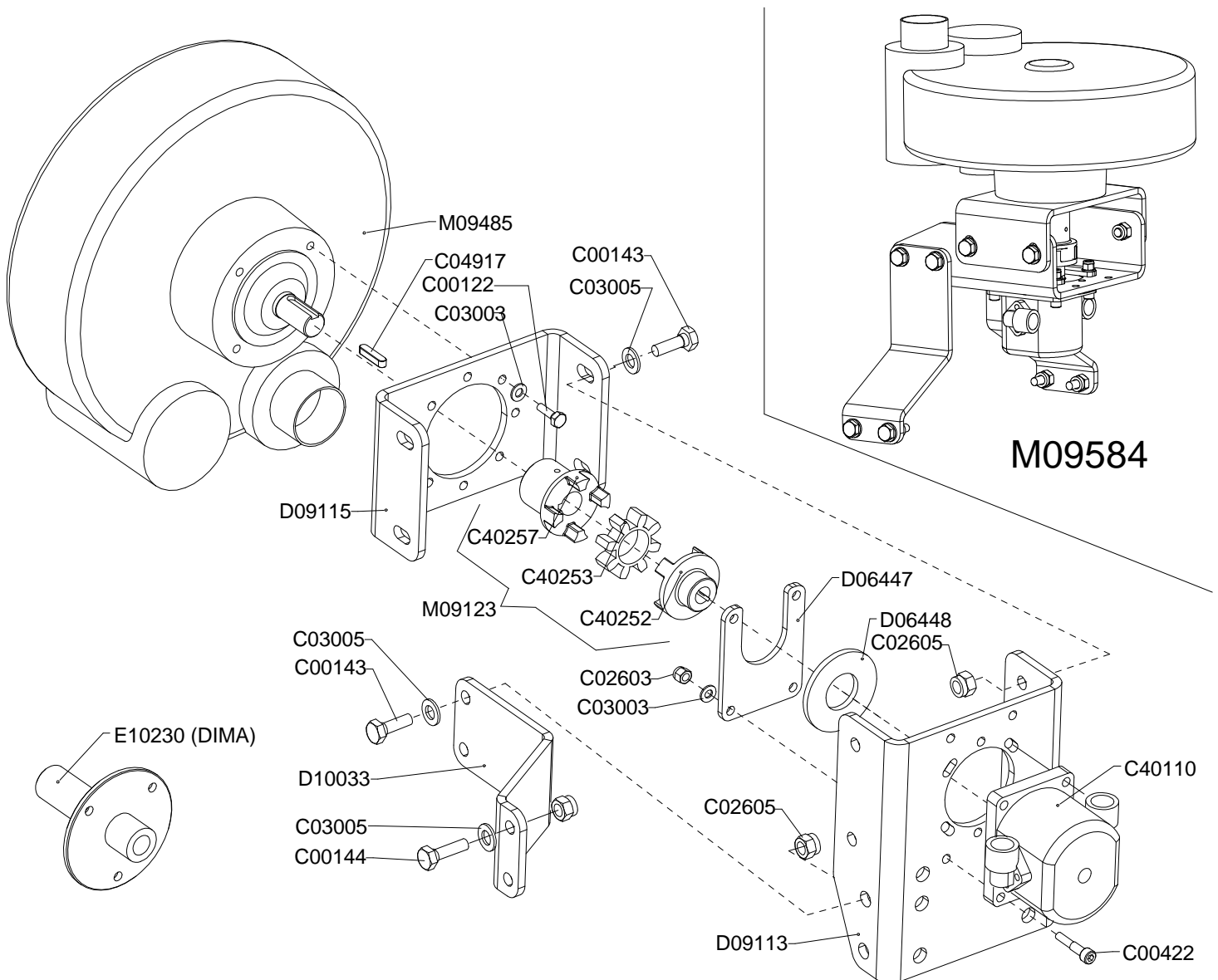
Aspirator support

Support Aspirateur

Support auf Absaugventilator

Drawing Code: **100685\_0**

Accessories:



100685\_00

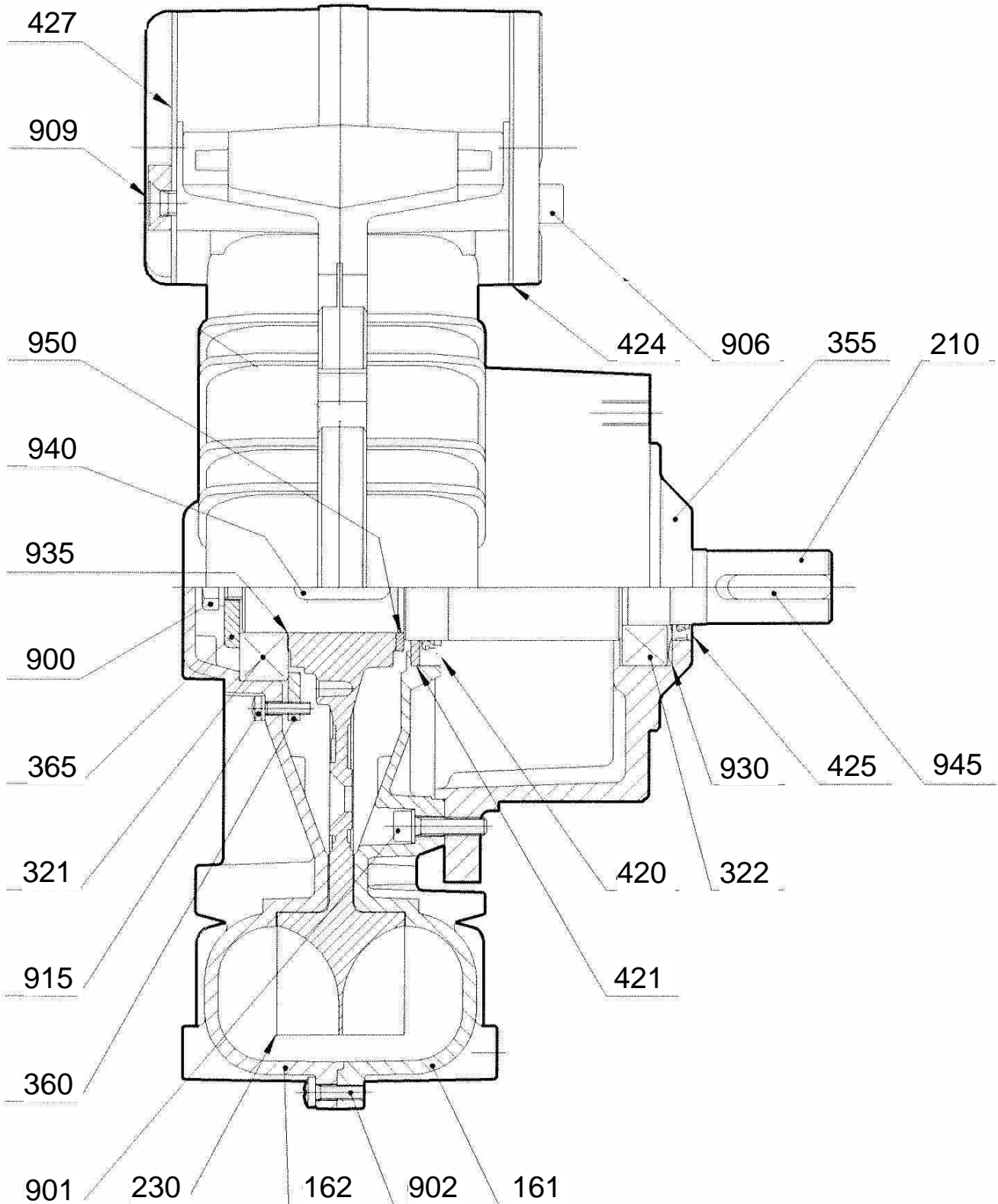


**Supporto aspiratore**  
 Aspirator support  
 Support Aspirateur  
 Support auf Absaugventilator

Drawing Code: **100685\_0**

Accessories:

N°	Code	Old.	Descrizione / Description	GB	FR	D	E
#	M80A00111	C00122	VITE TE 88 PG FT M8X25 ZINC UNI 5739	SCREW	VIS	SCHRAUBE	TORNILLO
#	M80A00130	C00143	VITE TE 88 PG FT M12X35 ZINC UNI 5739	SCREW	VIS	SCHRAUBE	TORNILLO
#	M80A00131	C00144	VITE TE 88 PG FT M12X40 ZINC UNI 5739	SCREW	VIS	SCHRAUBE	TORNILLO
#	M80A00237	C00422	VITE TCEI PG M8X40 ZINC UNI 5931	SCREW	VIS	SCHRAUBE	TORNILLO
#	M85A00075	C02603	DADO AUTOBLOC ALTO 8 M8 H=10.6 UNI 7473	NUT	BOULONS	NUT	DADO
#	M85A00078	C02605	DADO AUTOBLOC ALTO 8 M12 H=14 UNI 7473	NUT	BOULONS	NUT	DADO
#	M90A00005	C03003	RONDELLA PIANA D.8,4 DIN125-A ZINC.	WASHER	RONDELLE	UNTERLEGSCHLEIBE	ARANDELLA
#	M90A00008	C03005	RONDELLA PIANA D.13 DIN125-A ZINC.	WASHER	RONDELLE	UNTERLEGSCHLEIBE	ARANDELLA
#	MC0A00014	C04917	LINGUETTA 8X7X35 UNI6604A CEMENTATA	TONGUE	CLAVETTE	ZUNGE	LENGUA
#	H95A00006	C40110	MOTORE GR.2 6 CC BIDIREZ. DREN. STD. EU	ENGINE	MOTEUR	MOTOR	MOTOR
#	M75A00015	C40252	SEMIGIUNTO FORO CONICO (2U 2CA) ND65P2	AXLE SHAFT	DEMI JOINT	HALBKUPPLUNG	SEGUIAMIENTO
#	M75A00016	C40253	INSERTO ELASTICO R-62 (GR2)	INSERT	INSERT	INSERT	INSERT
#	M75A00020	C40257	SEMIGIUNTO FORO D.24 ND65H	AXLE SHAFT	DEMI JOINT	HALBKUPPLUNG	SEGUIAMIENTO
#	C05A05247	D06447	FLANGIA MOTORE. IDR.GR.2 VENT. SEMIN. SP5MM	FLANGE	FLANC	FLANSCH	FLANGE
#	C05A05248	D06448	DISCO D.79.8 D.36.6 MOTORE IDR. 5MM	DISC	DISQUE	SCHLEIBE	DISCO
#	C10A02332	D09113	SUPPORTO MOTORE IDR. TURBINA AS3	SUPPORT	SUPPORT	STUTZE	APOYO
#	C10A02333	D09115	SUPPORTO TURBINA ASPIRANTE AS3	SUPPORT	SUPPORT	STUTZE	APOYO
#	C10A02461	D10033	STAFFA SUPP. MOTORE ASPIRATORE AS3	BRACKET	SUPPORT	BUEGEL	SOPORTE
#	R05A00019	E10230	DIMA REGIST.SUPP.ASPIRAT. AS3 (K06)	DIE	GABARIT	SCHABLONE	DIMA
#	M75A00036	M09123	GIUNTO COMP. MOT. IDR.GR2 EURO D.24	JOINT	JOINT	KUPPLUNG	MIXTO
#	P10A00002	M09485	"ASPIRATORE K 06 MS STS BOCCHIE 2""	SUCTION FAN	ASPIRATEUR	ABSAUG-GEBLAESE	EXTRACTOR FAN
#	M79A00110	M09584	KIT TRASMISSIONE IDR. ASPIRATORE AS3	KIT	KIT	KIT	KIT





**Aspiratore**  
Aspirator  
Aspirateur  
Absaugventilator

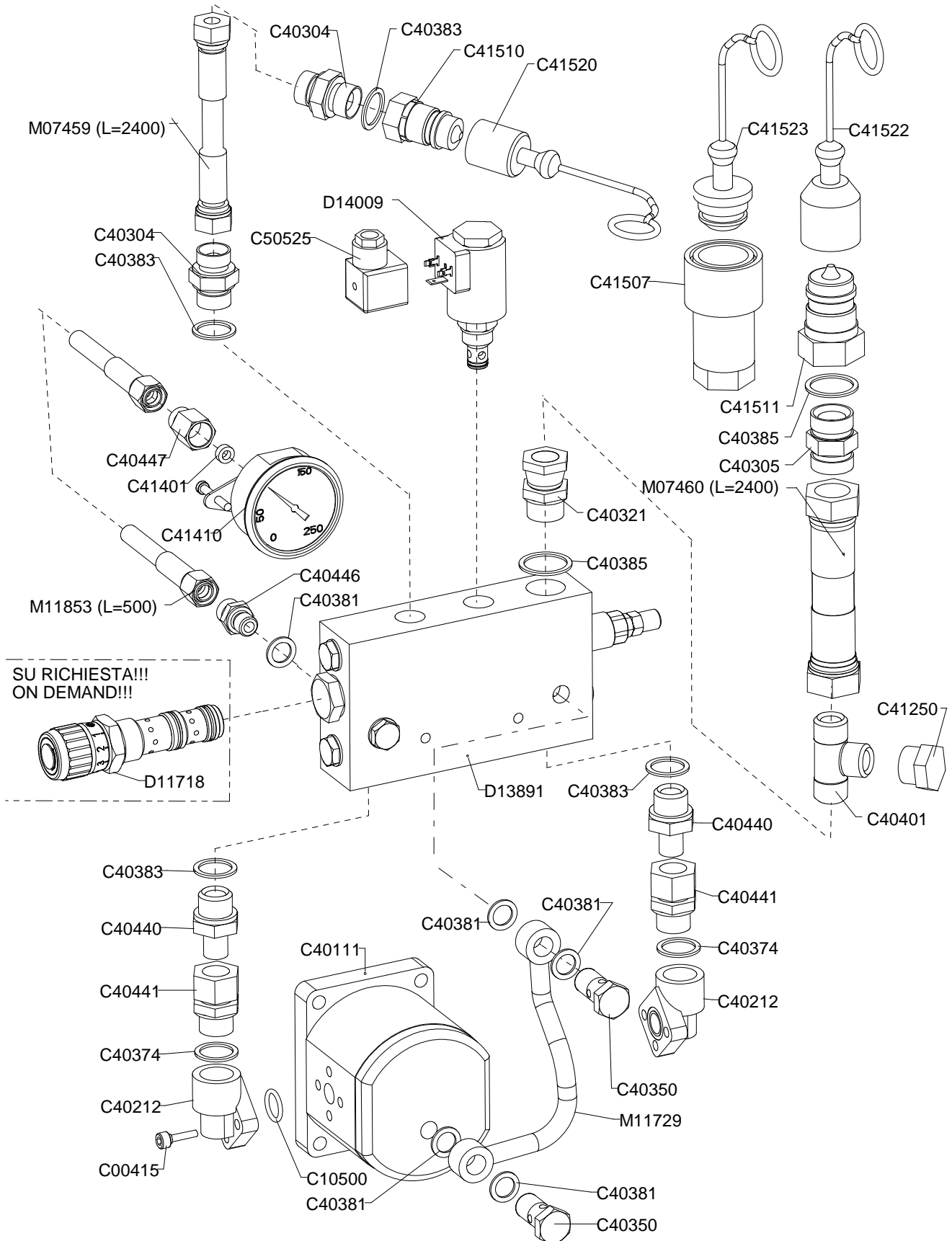
Drawing Code: **100696\_0**

Accessories:

N°	Code	Old.	Descrizione / Description
162	G00A00034	R14002	GUSCIO ASPIRATORE LATO ASPIRAZIONE
210	M45A00085	R14003	ALBERO GIRANTE ASPIRAT D.24 L=42
230	M10A00081	R14004	GIRANTE ASPIRATORE K06
321	M20A00022	C21113	CUSCINETTO 6206 2Z 30x62x16
322	M20A00020	C21110	CUSCINETTO 6205 2RS 25X52X15
355	C15A000820	R14005	COPERCHIO CHIUSURA ANTERIORE ASPIRAT
360	M35A00048	R14006	COPERCHIETTO CUSCINETTO 6206 2Z
365	M90A00064	R14007	RONDELLA BLOCCAGGIO GIRANTE
420	H00A00096	R14008	ANELLO DI TENUTA MIM 35 X 52 X 7 ASPIRAT
421	H30A00033	R14009	ANELLO FELTRO
424	H30A00034	R14010	GUARNIZIONE PIANA
425	H00A00097	R14011	ANELLO DI TENUTA MIM 25 X 35 X 7
427	H05A00043	C10542	ANELLO OR (165) 838 D.INT 61.9X3.53
161	G00A00033	R14001	GUSCIO ASPIRATORE LATO MOZZO
900	M80A00111	C00122	VITE TE 88 PG FT M8X25 ZINC UNI 5739
901	M80A00228	C00414	VITE TCEI PG M6X25 ZINC UNI 5931
902	M80A00379	C00944	VITE TC M6X20 UNI 7687 ZINC
906	M80A00236	C00421	VITE TCEI PG M8X25 ZINC UNI 5931
909	M80A00282	C00629	VITE TSPEI 10.9 PG M8X20 ZINC UNI5933
915	M80A00274	C00615	VITE TSPEI 10.9 PG M4X16 ZINC UNI 5933
930	M90A00065	R14012	RONDELLA ELASTICA. LMKAS D.52
935	MA5A00020	C04220	SPESSORE REG. 30X40X0,2
940	MC0A00014	C04917	LINGUETTA 8X7X35 UNI6604A CEMENTATA
945	MC0A00014	C04917	LINGUETTA 8X7X35 UNI6604A CEMENTATA

GB	FR	D	E
-	-	-	-
SHAFT	ARBRE	WELLE	EJE
IMPELLER	IMPULSEUR	LAUFRAD	RODETE
BEARING	ROULEMENT	KUGELLAGER	COJINETE
BEARING	ROULEMENT	KUGELLAGER	COJINETE
LID	COUVERCLE	DECKEL	TAPA
LID	COUVERCLE	DECKEL	TAPA
WASHER	RONDELLE	UNTERLEGSCHIEBE	ARANDELLA
RING	AMORTISSEUR	RING	ANILLO
RING	AMORTISSEUR	RING	ANILLO
GASKET	GARNITURE	DICHTUNG	GUARNICION
RING	AMORTISSEUR	RING	ANILLO
RING	AMORTISSEUR	RING	ANILLO
-	-	-	-
SCREW	VIS	SCHRAUBE	TORNILLO
SCREW	VIS	SCHRAUBE	TORNILLO
SCREW	VIS	SCHRAUBE	TORNILLO
SCREW	VIS	SCHRAUBE	TORNILLO
SCREW	VIS	SCHRAUBE	TORNILLO
SCREW	VIS	SCHRAUBE	TORNILLO
SCREW	VIS	SCHRAUBE	TORNILLO
WASHER	RONDELLE	UNTERLEGSCHIEBE	ARANDELLA
THICKNESS	CALES	DICKE	ESPESOR
TONGUE	CLAVETTE	ZUNGE	LENGUA
TONGUE	CLAVETTE	ZUNGE	LENGUA







## Motore idraulico aspiratore M14039

Hydraulic motor M14039

Moteur hydraulique M14039

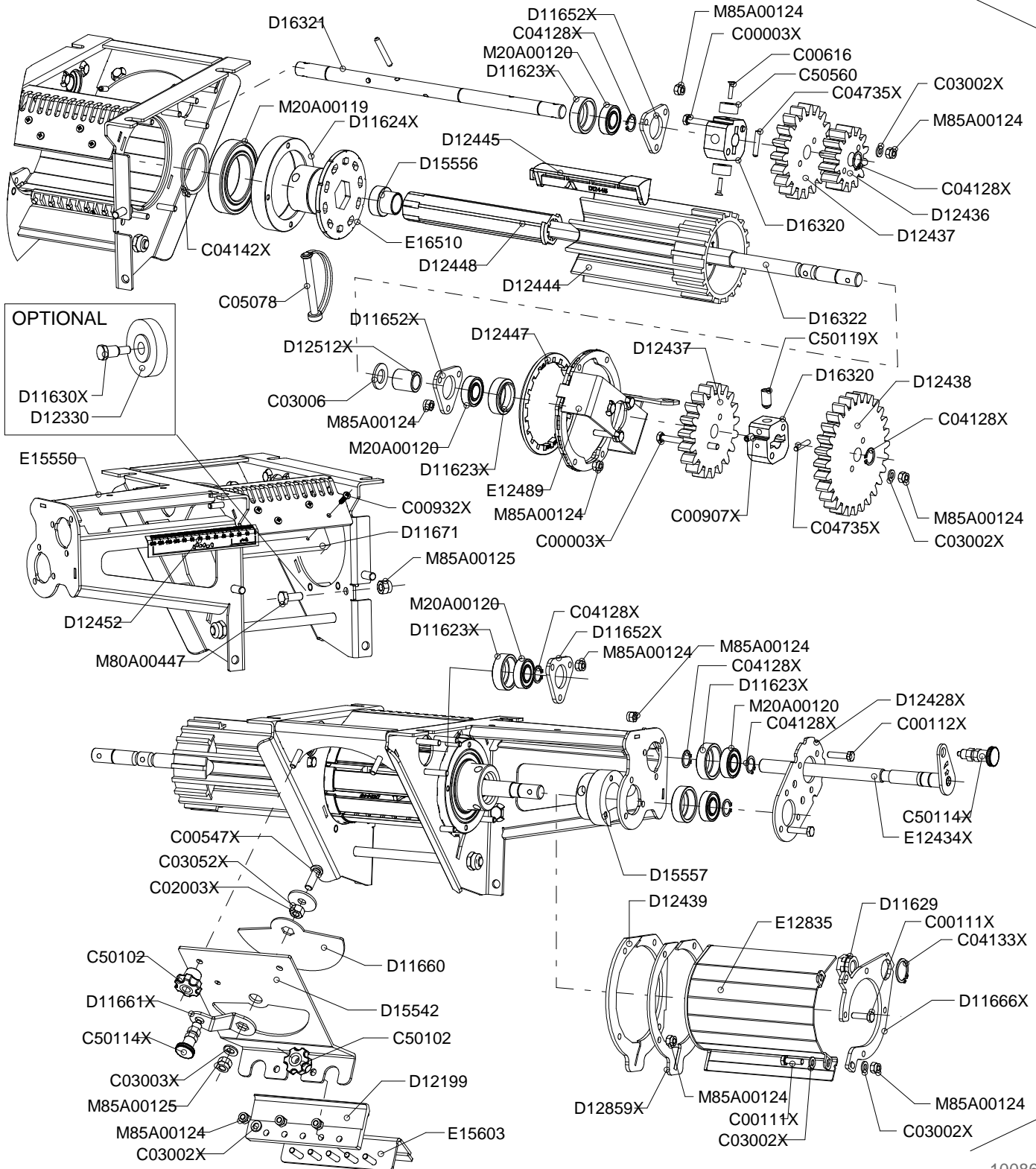
Hydraulischer motor M14039

Drawing Code:

100854\_0

Accessories:

N°	Code	Old.	Descrizione / Description	GB	FR	D	E
#	M80A00229	C00415	VITE TCEI PG M6X20 ZINC UNI 5931	SCREW	VIS	SCHRAUBE	TORNILLO
#	H05A00003	C10500	ANELLO OR 121 D.INT.15.88x2.62	RING	AMORTISSEUR	RING	ANILLO
#	H95A00009	C40111	MOTORE GR.2 6.4 CC BIDIREZ. DREN. STD. EU	ENGINE	MOTEUR	MOTOR	MOTOR
#	C15A00008	C40212	"FLANGIA POMPA 90°1/2"" 3 VITI M6"	FLANGE	FLANC	FLANSCH	FLANGE
#	H35A00004	C40304	NIPLES 1/2 1/2	NIPLES	NIPLES	NIPLES	NIPLES
#	H35A00005	C40305	NIPLES 3/4 3/4	NIPLES	NIPLES	NIPLES	NIPLES
#	H35A00021	C40321	NIPLES DI CONGIUNZIONE MF 3/4 GIREVOLE	NIPLES	NIPLES	NIPLES	NIPLES
#	H40A00010	C40350	VITE FORATA 1/4X26	SCREW	VIS	SCHRAUBE	TORNILLO
#	H35A00038	C40374	ROND AUTOCENT. D.22.4 D.30 CON GOMMA	WASHER	RONDELLE	UNTERLEGSCHLEIBE	ARANDELLA
#	H35A00041	C40381	RONDELLA RAME 1/4 D.13.5	WASHER	RONDELLE	UNTERLEGSCHLEIBE	ARANDELLA
#	H35A00043	C40383	RONDELLA RAME 1/2 D.21	WASHER	RONDELLE	UNTERLEGSCHLEIBE	ARANDELLA
#	H35A00045	C40385	RONDELLA RAME 3/4 D.27	WASHER	RONDELLE	UNTERLEGSCHLEIBE	ARANDELLA
#	H35A00056	C40401	"ADATTATORE ""T"" MASCHIO 3/4"	ADAPTER	ADAPTATEUR	ADAPTER	ADAPTADOR
#	H35A00084	C40440	ADATT. MD 1/2 - CODOLO -15 TENUTA DIN FORM A	ADAPTER	ADAPTATEUR	ADAPTER	ADAPTADOR
#	H35A00085	C40441	ADATT. MD 1/2 - OGIVA -15 TENUTA DIN FORM A	ADAPTER	ADAPTATEUR	ADAPTER	ADAPTADOR
#	H35A00090	C40446	ADATT. MD 1/4 - OGIVA 10	ADAPTER	ADAPTATEUR	ADAPTER	ADAPTADOR
#	H35A00091	C40447	ADATT. MD1/4 - FD MANOMETRO 1/4	ADAPTER	ADAPTATEUR	ADAPTER	ADAPTADOR
#	H45A00024	C41250	"TAPPO FEMMINA CILINDRICO 3/4"" GAS"	PLUG	BOUCHON	STOEPSSEL	ENCHUFE
#	HA5A00001	C41401	"OGIVA RAME PER MANOMETRO ATTACCO 1/4"""	METAL RING	OGIVE	METALLRING	OJIVA
#	HA5A00007	C41410	MANOMETRO GLIC. 0-250 D.63 TIPO G 1/4 M (DA PARETE)	GAUGE	JAUGE	DRUCKANZEIGER	MANOMETRO
#	H50A00002	C41507	INNESTO RAPIDO FEMMINA ATT.3/4 F NV	COUPLING	ACCOUPEMENT	KUPPLUNG	COMPROMISO
#	H50A00005	C41510	INNESTO RAPIDO MASCHIO ATT.1/2 F NV	COUPLING	ACCOUPEMENT	KUPPLUNG	COMPROMISO
#	H50A00006	C41511	INNESTO RAPIDO MASCHIO ATT.3/4 F NV	COUPLING	ACCOUPEMENT	KUPPLUNG	COMPROMISO
#	G10A00002	C41520	TAPPO PROT.INNESTO RAPIDO 1/2 MASCHIO BLU	PLUG	BOUCHON	STOEPSSEL	ENCHUFE
#	G10A00004	C41522	TAPPO PROT.INNESTO RAPIDO 3/4 FEMMINA	PLUG	BOUCHON	STOEPSSEL	ENCHUFE
#	G10A00005	C41523	TAPPO PROT.INNESTO RAPIDO 3/4 MASCHIO	PLUG	BOUCHON	STOEPSSEL	ENCHUFE
#	E15A00011	C50525	CONNETTORE FEMMINA BG9 NERO DIN43650-A	CONNECTOR	CONNECTEUR	VERBINDER	CONECTOR
#	H70A00058	D11718	REGOLATORE DI FLUSSO 3 VIE COMPENS. 90L/MIN	REGISTER	REGULATEUR	REGLER	REGULADOR
#	H70A00061	D13891	CORPO VALVOLA MOTORI VM LOAD SENSING	BODY	CORPS	KOERPER	CUERPO
#	H70A00062	D14009	ELETTROV. N.C.CAVITA SAE 08-2 12V 40 L/MIN + BOBINA+CONN	ELETTROVALVE	ELETTROVALVE	ELEKTROVENTIL	ELETTROVALVOLA
#	H75A00057	M07459	"TUBO IDR FD1/2""-R2AT 1/2""X2400-FD1/2"""	TUBE	TUBE	ROHR	TUBO
#	H75A00058	M07460	"TUBO IDR FD3/4""-R1AT 3/4""X2400-FD3/4"""	TUBE	TUBE	ROHR	TUBO
#	H75A00091	M11729	"TUBO IDR OH 1/4""-PILOT 1/4""X210-OH 1/4"""	TUBE	TUBE	ROHR	TUBO
#	H75A00095	M11853	TUBO IDR FD M16X1.5 24?-R7 1/4X500-FD M16X1.5 24?	TUBE	TUBE	ROHR	TUBO



M15540

100865\_05



**Dosatore DOSAL**  
Seed distributor DOSAL  
Doseur DOSAL  
Dosiervorrichtung DOSAL

Drawing Code: **100865\_5**

Accessories: M79A00222

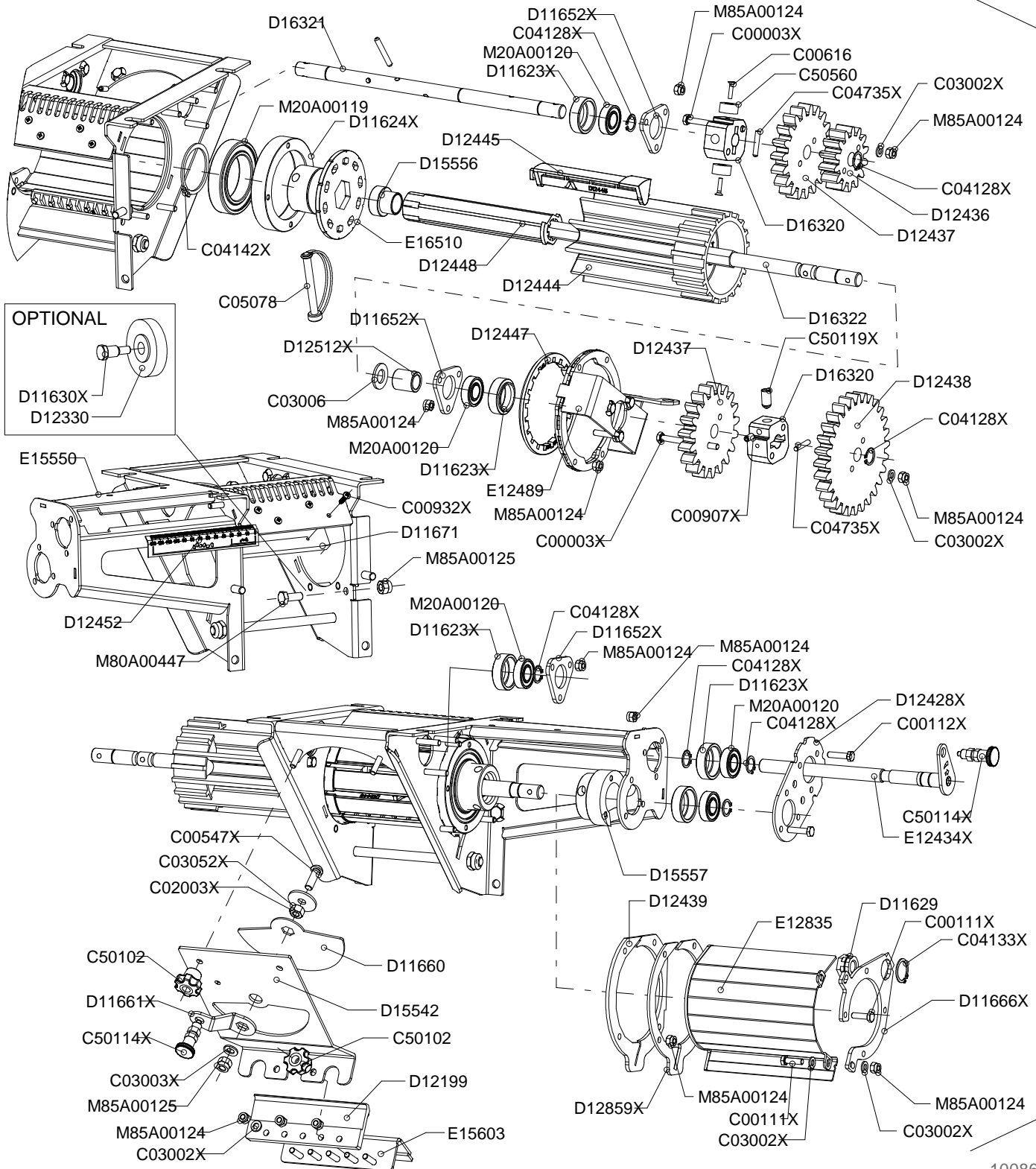
N°	Code	Old.	Descrizione / Description	GB	FR	D	E
#	M80A00392	C00003X	VITE TE PG FP M6X70 UNI 5737 INOX A2	SCREW	VIS	SCHRAUBE	TORNILLO
#	M80A00099	C00111X	VITE TE PG FT M6X20 UNI 5739 INOX A2	SCREW	VIS	SCHRAUBE	TORNILLO
#	M80A00101	C00112X	VITE TE PG FT M6X25UNI 5739 INOX A2	SCREW	VIS	SCHRAUBE	TORNILLO
#	M80A00269	C00547X	VITE TBEI M8X25 ISO 7380 TESTA BOMB INOX A2	SCREW	VIS	SCHRAUBE	TORNILLO
#	M80A00275	C00616	VITE TSPEI 10.9 PG M4X18 ZINC UNI 5933	SCREW	VIS	SCHRAUBE	TORNILLO
#	MF0A00079	C00907X	GRANO M6X12 INOX UNI 5923	GRAIN	GRAIN	KORN	GRANO
#	M80A00372	C00932X	VITE AUTOFIL. 4,2X19 UNI 6954 AB INOX A2	SCREW	VIS	SCHRAUBE	TORNILLO
#	M85A00002	C02003X	DADO ALTO PG M8 UNI 5587 INOX A2	NUT	BOULONS	NUT	DADO
#	M90A00004	C03002X	RONDELLA PIANA D.6,4 DIN125-A INOX A2	WASHER	RONDELLE	UNTERLEGSCHLEIBE	ARANDELLA
#	M90A00006	C03003X	RONDELLA PIANA D.8,4 DIN125-A INOX A2	WASHER	RONDELLE	UNTERLEGSCHLEIBE	ARANDELLA
#	M90A00009	C03006	RONDELLA PIANA D.15 DIN125-A ZINC.	WASHER	RONDELLE	UNTERLEGSCHLEIBE	ARANDELLA
#	M90A00028	C03052X	RONDELLA PIANA D9XD32X2.5 UNI 6593 INOX A2	WASHER	RONDELLE	UNTERLEGSCHLEIBE	ARANDELLA
#	MA0A00025	C04128X	SEEGER ALBERO D.15 UNI 7435 INOX	SEEGER	SEEGER	SEEGER	SEEGER
#	MA0A00031	C04133X	SEEGER ALBERO D.22 UNI 7435 INOX	SEEGER	SEEGER	SEEGER	SEEGER
#	MA0A00042	C04142X	SEEGER ALBERO D.50 UNI 7435 INOX	SEEGER	SEEGER	SEEGER	SEEGER
#	MB0A00103	C04735X	SPINA CILINDRICA D. 5 X 28 INOX ISO 2338	SOCKET	GOUPILLE	STECKER	PASADOR
#	MB0A00099	C05078	SPINOTTO PER MOTOZAPPA D.8X60 UTILE	PIN	GOUPILLE	STIFT	PASADOR
#	MF0A00021	C50102	VOLANTINO 6 LOBI D.30 M6 FEMMINA PASSANTE	HAND WHEEL	VOLANT	HANDRAD	PERILLA
#	MF0A00028	C50114X	PISTONCINO A MOLLA ISO 8675-B-M10X1 D5X5 INOX	PISTON	PISTON	KOLBEN	PISTON
#	MF0A00078	C50119X	PRESSORE M10X19 A SFERA E MOLLA INOX	-	-	-	-
#	E15A00032	C50560	MAGNETE FERRITE D.20X10 D.I 4.5	MAGNET	AIMANT	MAGNET	IMÁN
#	M35A00017	D11623X	SUPPORTO CUSCINETTO 6002 DOSATORE INOX	SUPPORT	SUPPORT	STUTZE	APOYO
#	M35A00019	D11624X	SUPPORTO CUSCINETTO 6010 DOSATORE INOX	SUPPORT	SUPPORT	STUTZE	APOYO
#	M85A00107	D11629	DADO M14 OTTONE	NUT	BOULONS	NUT	DADO
#	M15A00136	D11630X	PERNO PORTA SPAZZOLA SEMI FINI INOX	PIN	PIVOT	STIFT	PIN
#	C05A06843	D11652X	COPERCHIO CUSCINETTO 6002 4MM INOX	LID	COUVERCLE	DECKEL	TAPA
#	C05A06847	D11660	SERRANDA DOSATORE 2MM INOX	ROLLER SHUTTER	AMORTISSEUR	DÄMPFER	PERSIANA
#	C10A02749	D11661X	LEVA SERRANDA DOSATORE INOX	LEVER	LEVIER	HEBEL	LEVA
#	C15A00641	D11666X	PIASTRA PORTA BOCCOLA M14 DOSATORE INOX	PLATE	PLAQUE	PLATTE	PLACA
#	G10A00063	D11671	SPAZZOLA 135X35X10 PULIZIA DOSATORE	BRUSH	BROSSE	BURSTE	CEPILLO
#	G00A00020	D12199	PALETTA INFERIORE DOSATORE PU	BLADE	PALETTE	SCHAUFEL	PALETA
#	Q20A00295	D12330	SPAZZOLA ROTANTE D=13X62 L=14	BRUSH	BROSSE	BURSTE	CEPILLO
#	C05A07033	D12428X	PIASTRA REGOLAZIONE DOSATORE 3MM INOX	PLATE	PLAQUE	PLATTE	PLACA
#	G05A00038	D12436	INGRANAGGIO Z14 DOSATORE	GEAR	ENGRENAGES	ZAHNRAEDER	ENGRANAJE
#	G10A00064	D12437	INGRANAGGIO Z19 DOSATORE	GEAR	ENGRENAGES	ZAHNRAEDER	ENGRANAJE
#	G10A00065	D12438	INGRANAGGIO Z28 DOSATORE	GEAR	ENGRENAGES	ZAHNRAEDER	ENGRANAJE
#	H30A00018	D12439	GUARNIZIONE PALPEBRA DOSATORE PU	GASKET	GARNITURE	DICHTUNG	GUARNICION
#	G00A00023	D12444	ROTORE PRINCIPALE DOSATORE	ROTOR	ROTOR	ROTOR	ROTOR
#	G00A00024	D12445	OTTURATORE SEMI GROSSI DOSATORE	SHUTTER	OBTURATEUR	SHUTTER	OBTURADOR
#	G10A00066	D12447	ANELLO DENTELLATO SEMI FINI DOSATORE	RING	AMORTISSEUR	RING	ANILLO
#	G00A00025	D12448	ESAGONO 17/30 TRASMISSIONE DOSATORE	HEXAGON	HEXAGONAL	SECHSKANT-	HEXÁGONO
#	Q15A00384	D12452	ADESIVO 0-130 DOSATORE	STICKER	ADHESIF	AUFKLEBER	ADHESIVOS
#	C15A00667	D12512X	DIST. D.21,3 D.15,2 L.24.5 INOX	SPACER	ENTRETOISE	ABSTANDSTUECK	ESPACIADORES
#	C05A07170	D12859X	RINFORZO PER D12439 SP.3MM INOX	REINFORCEMENT	RENFORT	VERSTAERKUNG	REFUERZO
#	C10A03421	D15542	FIANCO SCARICO SCATOLA DOSATORE M15540	SIDE	LONG	NEBEN	JUNTO
#	C15A00791	D15556	PROLUNGA D.32X23,8X20 L=27,7 PER D12448	EXTENSION	EXTENSION	VERLAENGERUNG	EXTENSIÓN
#	C15A00792	D15557	BOCCOLA ESTERNA REGOLAZIONE DOSATORE M15540	BUSH	DOUILLE	BUCHSE	BOCOLA
#	G10A00143	D16320	DIST. L=25 PER MAGNETI E PRESSORE DOSATORE	SPACER	ENTRETOISE	ABSTANDSTUECK	ESPACIADORES
#	M45A00136	D16321	ALBERO AGITATORE INOX PER DOSATORE M15540	SHAFT	ARBRE	WELLE	EJE

Copyright © 2009 Alpego s.p.a. ®

Tutti i diritti sono riservati. È vietata espressamente la ristampa o l'uso non autorizzato senza permesso scritto dalla Alpego s.p.a.  
Tous droits réservés. Toute réimpression ou utilisation non autorisée sans la permission écrite de la Alpego s.p.a. est formellement interdite  
Alle Rechte vorbehalten. Nachdruck, Vervielfältigung und Verbreitung, auch auszugsweise, ist ohne schriftliche Genehmigung der Alpego s.p.a.  
All rights reserved. Any reprinting or unauthorized use without the written permission of Alpego s.p.a. is expressly prohibited  
Todos los derechos reservados. Toda reproducción o uso no autorizado sin el consentimiento escrito de Alpego s.p.a. quedan expresamente prohibidos

06/06/2014





M15540

100865\_05



**Dosatore DOSAL**  
 Seed distributor DOSAL  
 Doseur DOSAL  
 Dosiervorrichtung DOSAL

Drawing Code: **100865\_5**

Accessories: **M79A00222**

N°	Code	Old.	Descrizione / Description
#	M45A00137	D16322	ALBERO ESAGONALE INOX PER DOSATORE M15540
#	C20A01972	E12434X	MANOVELLA REGOLAZ. DOSATORE INOX
#	C20A01975	E12489	COPERCHIO MOTRICE DOSATORE INOX
#	C20A02028	E12835	PALPEBRA CON TASSELLO DOSATORE INOX
#	C20A02458	E15550	SCATOLA DOSATORE N130/F30 M15540
#	C20A02771	E15603	PORTA INFERIORE DOSATORE M15540 INOX
#	C20A02903	E16510	SUPPORTO OTTURATORI SEMI GROSSI
#	M79A00222	M15540	DOSATORE COMPLETO DOSAL N130/F30
#	M20A00119		CUSCINETTO 6010 2RS 50X80X16 INOX
#	M20A00120		CUSCINETTO 6002 2RS 15X32X9 INOX
#	M80A00447		VITE TE PG FT M8X20 UNI 5739 INOX A2
#	M85A00124		DADO AUTOBLOC ALTO M6 OTTONE H=7.8 UNI 7473
#	M85A00125		DADO AUTOBLOC ALTO M8 OTTONE H=10.6 UNI 7473

GB	FR	D	E
SHAFT	ARBRE	WELLE	EJE
CRANK	MANIVELLE	SPINDEL	MANIVELA
LID	COUVERCLE	DECKEL	TAPA
CALIBRATED PLATE	PAUPIÉRES	ANGEPASSTE PLATTE	PÁRPADOS
BOX	BOITE	SCHACTEL	RECUADRO
DOOR	PORTE	TUER	PUERTA
SUPPORT	SUPPORT	STUTZE	APOYO
DISPENSER	DOSEUR	DOSIERER	DOSIFICACIÓN
BEARING	ROULEMENT	KUGELLAGER	COJINETE
BEARING	ROULEMENT	KUGELLAGER	COJINETE
SCREW	VIS	SCHRAUBE	TORNILLO
NUT	BOULONS	NUT	DADO
NUT	BOULONS	NUT	DADO

**Ventilatore idraulico**

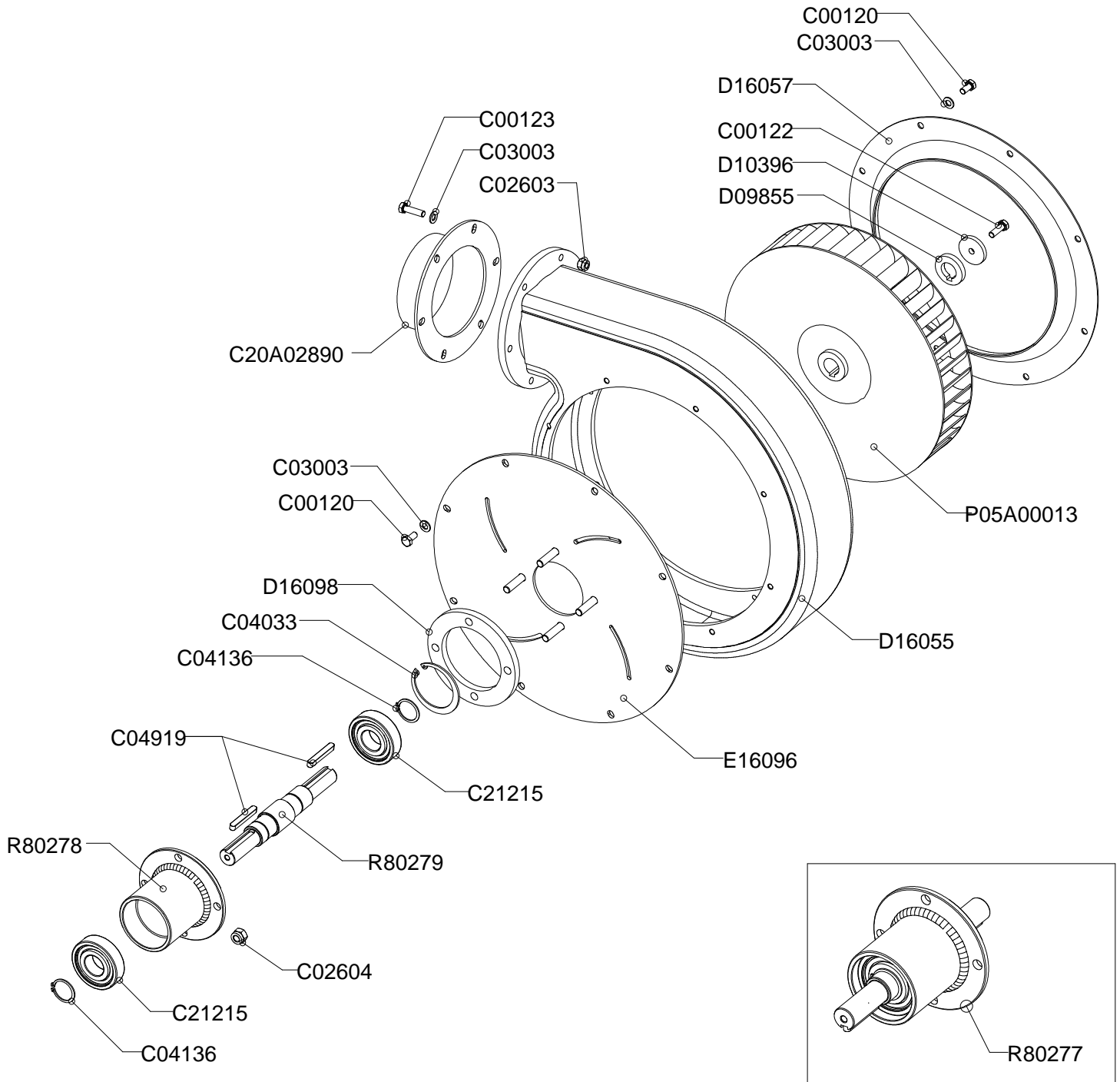
Hydraulic fan

Hydraulique Soufflerie

Hydraulic Geblase

Drawing Code: **K00A00967\_1**

Accessories:



K00A00967\_00





## Ventilatore idraulico

Hydraulic fan

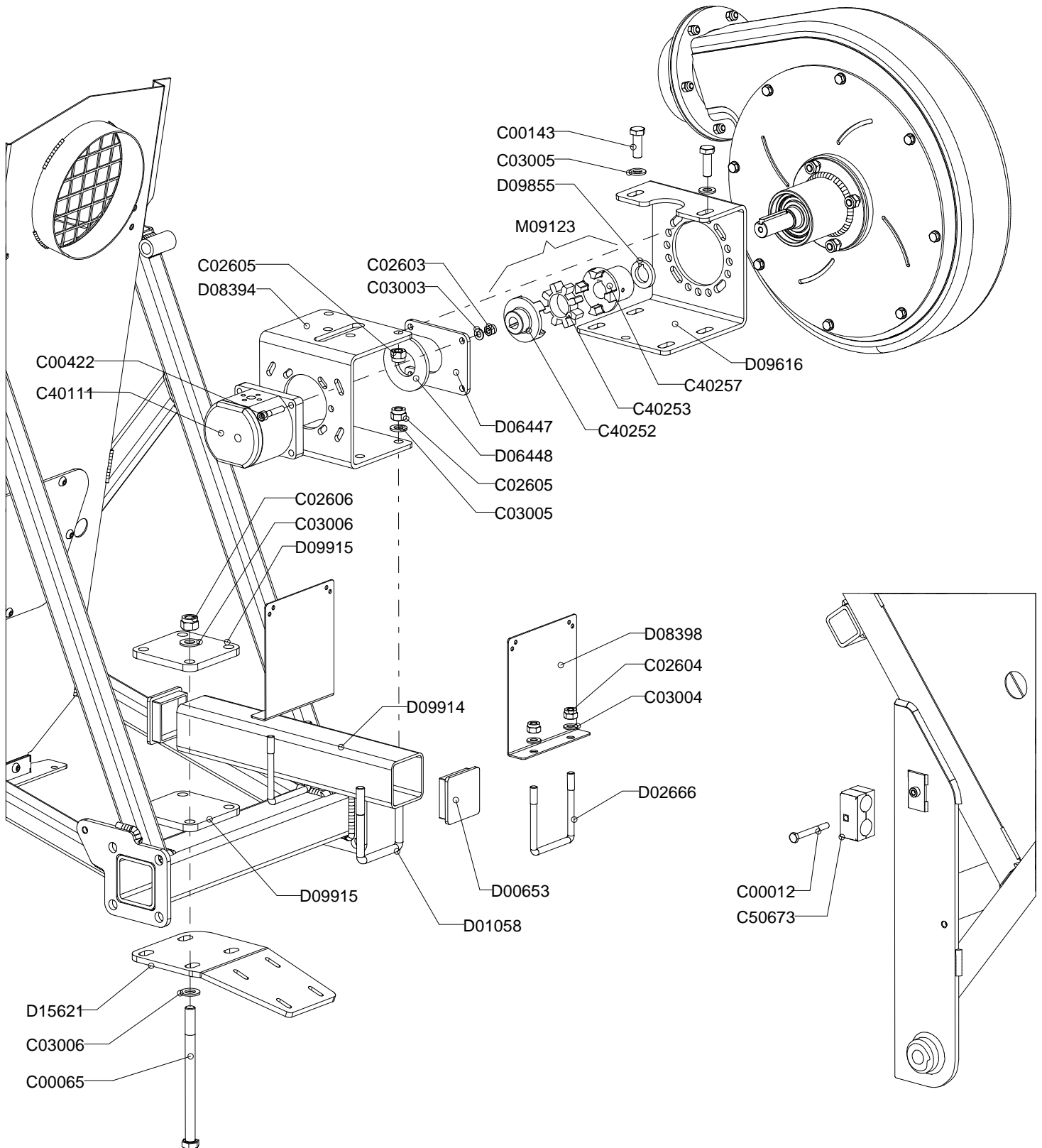
Hydraulique Soufflerie

Hydraulic Geblase

Drawing Code: **K00A00967\_1**

Accessories:

N°	Code	Old.	Descrizione / Description	GB	FR	D	E
#	M80A00109	C00120	VITE TE 88 PG FT M8X16 ZINC UNI 5739	SCREW	VIS	SCHRAUBE	TORNILLO
#	M80A00111	C00122	VITE TE 88 PG FT M8X25 ZINC UNI 5739	SCREW	VIS	SCHRAUBE	TORNILLO
#	M80A00112	C00123	VITE TE 88 PG FT M8X30 ZINC UNI 5739	SCREW	VIS	SCHRAUBE	TORNILLO
#	M85A00075	C02603	DADO AUTOBLOC ALTO 8 M8 H=10.6 UNI 7473	NUT	BOULONS	NUT	DADO
#	M85A00077	C02604	DADO AUTOBLOC ALTO 8 M10 H=11.5 UNI 7473	NUT	BOULONS	NUT	DADO
#	M90A00005	C03003	RONDELLA PIANA D.8,4 DIN125-A ZINC.	WASHER	RONDELLE	UNTERLEGSCHLEIBE	ARANDELLA
#	MA0A00008	C04033	SEEGER FORO D.72 UNI 7437	SEEGER	SEEGER	SEEGER	SEEGER
#	MA0A00034	C04136	SEEGER ALBERO D.30 UNI 7435	SEEGER	SEEGER	SEEGER	SEEGER
#	MC0A00016	C04919	LINGUETTA 8X7X56 UNI 6604A	TONGUE	CLAVETTE	ZUNGE	LENGUA
#	C20A02890	E16326	FLANGIA USCITA VENTILATORE D.130	FLANGE	FLANC	FLANSCH	FLANGE
#	M20A00044	C21215	CUSCINETTO 6306 2RS4 C3 S0 30X72X19	BEARING	ROULEMENT	KUGELLAGER	COJINETE
#	C05A06327	D09855	SPESSORE VENTIL. IDR. AS2/3 500 8MM	THICKNESS	CALES	DICKE	ESPESOR
#	C05A06556	D10396	RONDELLA D.40 D 8.2 SP 6MM ZINC	WASHER	RONDELLE	UNTERLEGSCHLEIBE	ARANDELLA
#	C10A03546	D16055	CHIOCCIOLA VENT. CPA35 CON FLANGE ALLUMINIO	-	-	-	-
#	C10A03547	D16057	CONVOGLIATORE VENTILATORE CON VITI ALLUMINIO	CONVEYOR	CONVOYEUR	CONVEYOR	CONVEYOR
#	C05A07990	D16098	PIASTRA DISTANZIALE MOZZO VENTILATORE ALU-350	PLATE	PLAQUE	PLATTE	PLACA
#	C20A02849	E16096	FONDELLO VENTILATORE ALU-350	BOTTOM	FOND	BODEN	FONDO
#	P05A00013		GIRANTE D.350X62 ALLUMINIO	IMPELLER	IMPULSEUR	LAUFRAD	RODETE
#	M75A00137	R80277	MOZZO COMPL VENTIL IDR ALBERO D.24 L=59.5	HUB	ESSIEU	NABE	MAZO
#	M75A00138	R80278	MOZZO X VENTIL IDR D.320X70 - D.85 L=90.5	HUB	ESSIEU	NABE	MAZO
#	M45A00105	R80279	ALBERO D.24-L=59.5 D.30 L=117.5 VENTIL IDR	SHAFT	ARBRE	WELLE	EJE





## Trasmissione idraulica ventilatore

Hydraulic transmission fan

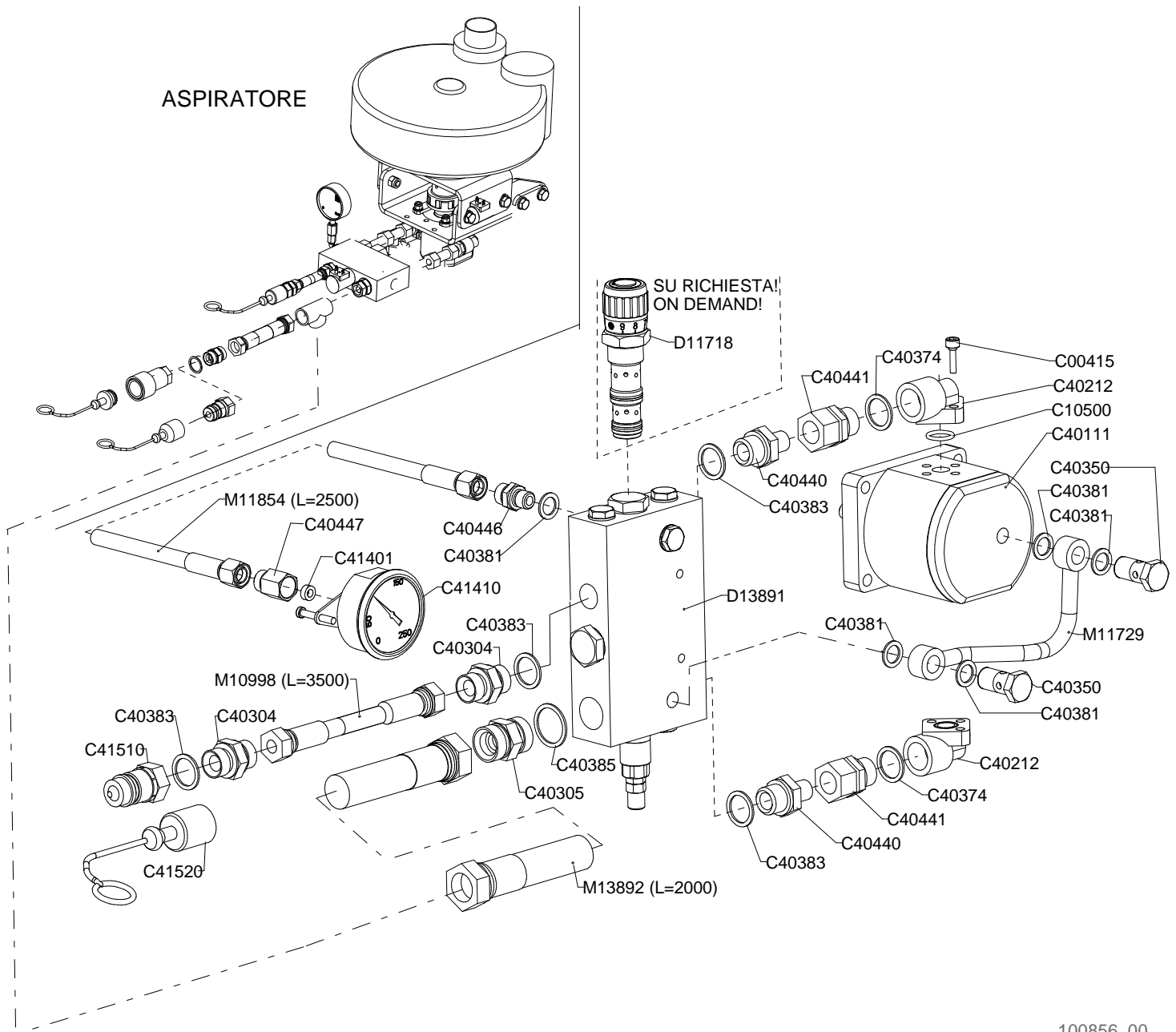
Hydraulique transmission du soufflerie

Hydraulischen Antrieb fan

Drawing Code: **K00A00968\_0**

Accessories:

N°	Code	Old.	Descrizione / Description	GB	FR	D	E
#	M80A00009	C00012	VITE TE 88 PG FP M8X70 ZINC UNI 5737	SCREW	VIS	SCHRAUBE	TORNILLO
#	M80A00058	C00065	VITE TE 88 PG FP M14X200 ZINC UNI 5737	SCREW	VIS	SCHRAUBE	TORNILLO
#	M80A00130	C00143	VITE TE 88 PG FT M12X35 ZINC UNI 5739	SCREW	VIS	SCHRAUBE	TORNILLO
#	M80A00237	C00422	VITE TCEI PG M8X40 ZINC UNI 5931	SCREW	VIS	SCHRAUBE	TORNILLO
#	M85A00075	C02603	DADO AUTOBLOC ALTO 8 M8 H=10.6 UNI 7473	NUT	BOULONS	NUT	DADO
#	M85A00077	C02604	DADO AUTOBLOC ALTO 8 M10 H=11.5 UNI 7473	NUT	BOULONS	NUT	DADO
#	M85A00078	C02605	DADO AUTOBLOC ALTO 8 M12 H=14 UNI 7473	NUT	BOULONS	NUT	DADO
#	M85A00079	C02606	DADO AUTOBLOC ALTO 8 M14 H=16 UNI 7473	NUT	BOULONS	NUT	DADO
#	M90A00005	C03003	RONDELLA PIANA D.8,4 DIN125-A ZINC.	WASHER	RONDELLE	UNTERLEGSCHLEIBE	ARANDELLA
#	M90A00007	C03004	RONDELLA PIANA D.10,5 DIN125-A ZINC.	WASHER	RONDELLE	UNTERLEGSCHLEIBE	ARANDELLA
#	M90A00008	C03005	RONDELLA PIANA D.13 DIN125-A ZINC.	WASHER	RONDELLE	UNTERLEGSCHLEIBE	ARANDELLA
#	M90A00009	C03006	RONDELLA PIANA D.15 DIN125-A ZINC.	WASHER	RONDELLE	UNTERLEGSCHLEIBE	ARANDELLA
#	H95A00009	C40111	MOTORE GR.2 6.4 CC BIDIREZ. DREN. STD. EU	ENGINE	MOTEUR	MOTOR	MOTOR
#	M75A00015	C40252	SEMIGIUNTO FORO CONICO (2U 2CA) ND65P2	AXLE SHAFT	DEMI JOINT	HALBKUPPLUNG	SEGUIMIENTO
#	M75A00016	C40253	INSERTO ELASTICO R-62 (GR2)	INSERT	INSERT	INSERT	INSERT
#	M75A00020	C40257	SEMIGIUNTO FORO D.24 ND65H	AXLE SHAFT	DEMI JOINT	HALBKUPPLUNG	SEGUIMIENTO
#	M79A00007	C50673	BLOCCHETTOPOLIPROP. FERMA 2 TUBI D.25	-	-	-	-
#	G00A00005	D00653	TAPPO IN GOMMA PER TUBO Q.70X70	PLUG	BOUCHON	STOEPESEL	ENCHUFE
#	MD5A00001	D01058	CAVALLOTTO QUADRO M12 T70x70x105	PIN	CAVALLIER	STIFT	CAVALLOTTI
#	MD5A00008	D02666	CAVALLOTTO QUADRO M10X70	PIN	CAVALLIER	STIFT	CAVALLOTTI
#	C05A05247	D06447	FLANGIA MOTORE. IDR.GR.2 VENT. SEMIN. SP5MM	FLANGE	FLANC	FLANSCH	FLANGE
#	C05A05248	D06448	DISCO D.79.8 D.36.6 MOTORE IDR. 5MM	DISC	DISQUE	SCHLEIBE	DISCO
#	C10A02182	D08394	SUPPORTO MOTORE IDR. VENT. AS1 - AS3 6MM	SUPPORT	SUPPORT	STUTZE	APOYO
#	C10A02184	D08398	PROTEZIONE TRASMISSIONE IDR, AS1 2MM	PROTECTION	PROTECTION	SCHUTZ	PROTECCIÓN
#	C10A02404	D09616	SUPPORTO TURBINA IDR. D.320X70 AS3	SUPPORT	SUPPORT	STUTZE	APOYO
#	C05A06327	D09855	SPESSORE VENTIL. IDR. AS2/3 500 8MM	THICKNESS	CALES	DICKE	ESPESSOR
#	C00A00389	D09914	TUBO SUPP. TRASM. AS2 - AS3 70X70X4 L=400	TUBE	TUBE	ROHR	TUBO
#	C05A06344	D09915	PIASTRA 4 FORI VENT IDR AS2 SP.10MM	PLATE	PLAQUE	PLATTE	PLACA
#	C10A03475	D15621	PIEG. PIASTRA PORTA MOTORE RDS -AS4	BENT	PLIE	GEBOGEN	PLEGADO
#	M75A00036	M09123	GIUNTO COMP. MOT. IDR.GR2 EURO D.24	JOINT	JOINT	KUPPLUNG	MIXTO



100856\_00



## Motore idraulico ventilatore M14038

Hydraulic motor fan M14038

Moteur hydraulique ventilateur M14038

Hydraulischer motor Ventilator M14038

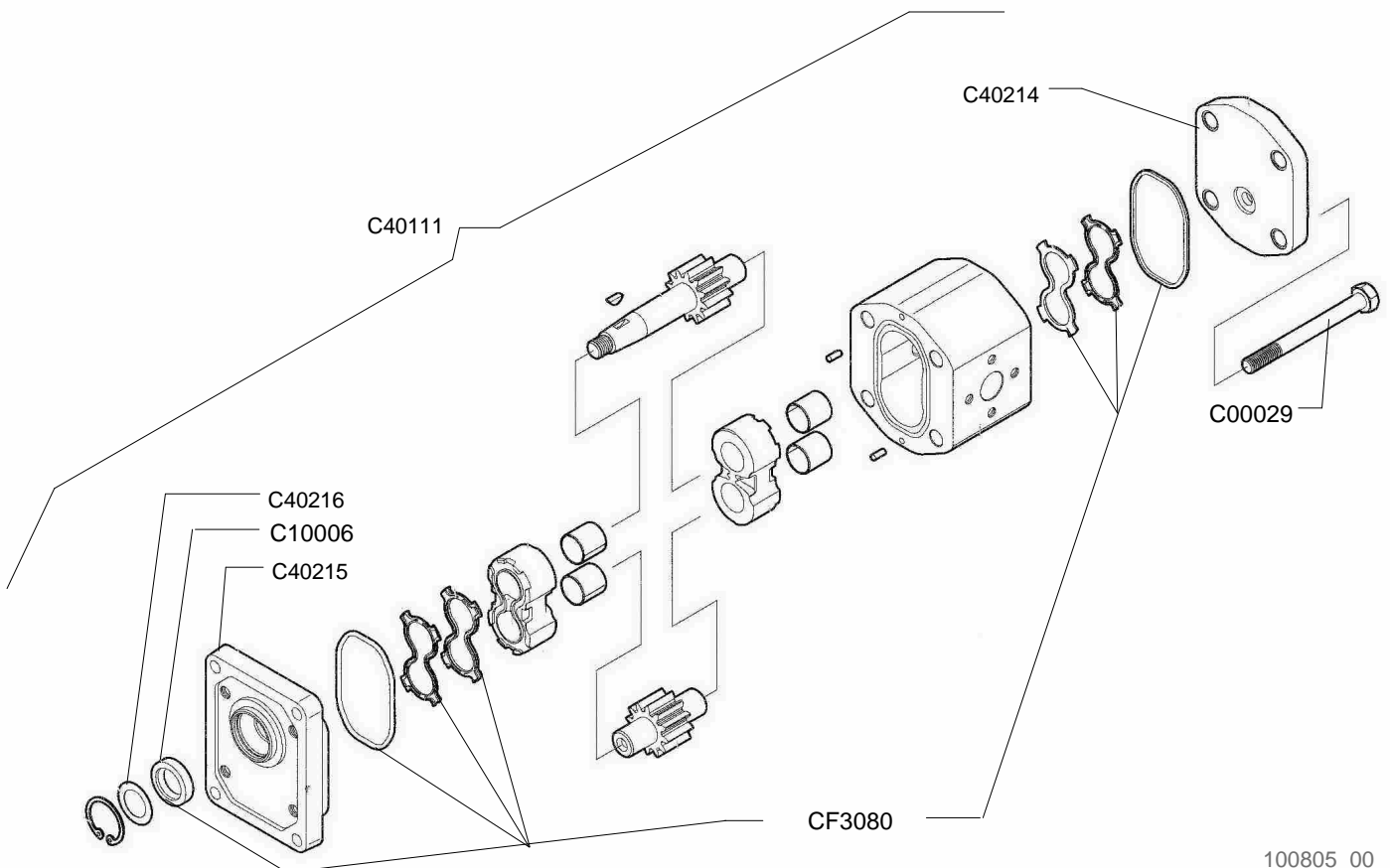
Drawing Code:

**100856\_0**

Accessories:

N°	Code	Old.	Descrizione / Description
#	M80A00229	C00415	VITE TCEI PG M6X20 ZINC UNI 5931
#	H05A00003	C10500	ANELLO OR 121 D.INT.15.88x2.62
#	H95A00009	C40111	MOTORE GR.2 6.4 CC BIDIREZ. DREN. STD. EU
#	C15A00008	C40212	"FLANGIA POMPA 90°1/2" 3 VITI M6"
#	H35A00004	C40304	NIPLES 1/2 1/2
#	H35A00005	C40305	NIPLES 3/4 3/4
#	H40A00010	C40350	VITE FORATA 1/4X26
#	H35A00038	C40374	ROND AUTOCENT. D.22.4 D.30 CON GOMMA
#	H35A00041	C40381	RONDELLA RAME 1/4 D.13.5
#	H35A00043	C40383	RONDELLA RAME 1/2 D.21
#	H35A00045	C40385	RONDELLA RAME 3/4 D.27
#	H35A00084	C40440	ADATT. MD 1/2 - CODOLO -15 TENUTA DIN FORM A
#	H35A00085	C40441	ADATT. MD 1/2 - OGIVA -15 TENUTA DIN FORM A
#	H35A00090	C40446	ADATT. MD 1/4 - OGIVA 10
#	H35A00091	C40447	ADATT. MD1/4 - FD MANOMETRO 1/4
#	HA5A00001	C41401	"OGIVA RAME PER MANOMETRO ATTACCO 1/4""
#	HA5A00007	C41410	MANOMETRO GLIC. 0-250 D.63 TIPO G 1/4 M (DA PARETE)
#	H50A00005	C41510	INNESTO RAPIDO MASCHIO ATT.1/2 F NV
#	G10A00002	C41520	TAPPO PROT.INNESTO RAPIDO 1/2 MASCHIO BLU
#	H70A00058	D11718	REGOLATORE DI FLUSSO 3 VIE COMPENS. 90L/MIN
#	H70A00061	D13891	CORPO VALVOLA MOTORI VM LOAD SENSING
#	H75A00088	M10998	"TUBO IDR FD1/2""-R2AT 1/2""X3500-FD 1/2""
#	H75A00091	M11729	"TUBO IDR OH 1/4""-PILOT 1/4""X210-OH 1/4""
#	H75A00096	M11854	TUBO IDR FD M16X1.5 24?-R7 1/4X2500-FD M16X1.5 24?
#	H75A00098	M13892	"TUBO IDR FD3/4""-R1AT 3/4""X2000-FD 3/4""

GB	FR	D	E
SCREW	VIS	SCHRAUBE	TORNILLO
RING	AMORTISSEUR	RING	ANILLO
ENGINE	MOTEUR	MOTOR	MOTOR
FLANGE	FLANC	FLANSCH	FLANGE
NIPLES	NIPLES	NIPLES	NIPLES
NIPLES	NIPLES	NIPLES	NIPLES
SCREW	VIS	SCHRAUBE	TORNILLO
WASHER	RONDELLE	UNTERLEGSCHIEBE	ARANDELLA
WASHER	RONDELLE	UNTERLEGSCHIEBE	ARANDELLA
WASHER	RONDELLE	UNTERLEGSCHIEBE	ARANDELLA
WASHER	RONDELLE	UNTERLEGSCHIEBE	ARANDELLA
ADAPTER	ADAPTATEUR	ADAPTER	ADAPTADOR
ADAPTER	ADAPTATEUR	ADAPTER	ADAPTADOR
ADAPTER	ADAPTATEUR	ADAPTER	ADAPTADOR
ADAPTER	ADAPTATEUR	ADAPTER	ADAPTADOR
METAL RING	OGIVE	METALLRING	OJIVA
GAUGE	JAUGE	DRUCKANZEIGER	MANOMETRO
COUPLING	ACCOUPLMENT	KUPPLUNG	COMPROMISO
PLUG	BOUCHON	STOEPSSEL	ENCHUFE
REGISTER	REGULATEUR	REGLER	REGULADOR
BODY	CORPS	KOERPER	CUERPO
TUBE	TUBE	ROHR	TUBO
TUBE	TUBE	ROHR	TUBO
TUBE	TUBE	ROHR	TUBO
TUBE	TUBE	ROHR	TUBO



100805\_00



## Gruppo guarnizioni motore idraulico

Hydraulic motor's seals group

Groupe des joints du moteur hydraulique

Gruppe Dichtungen des hydraulischer Motors

Drawing Code:

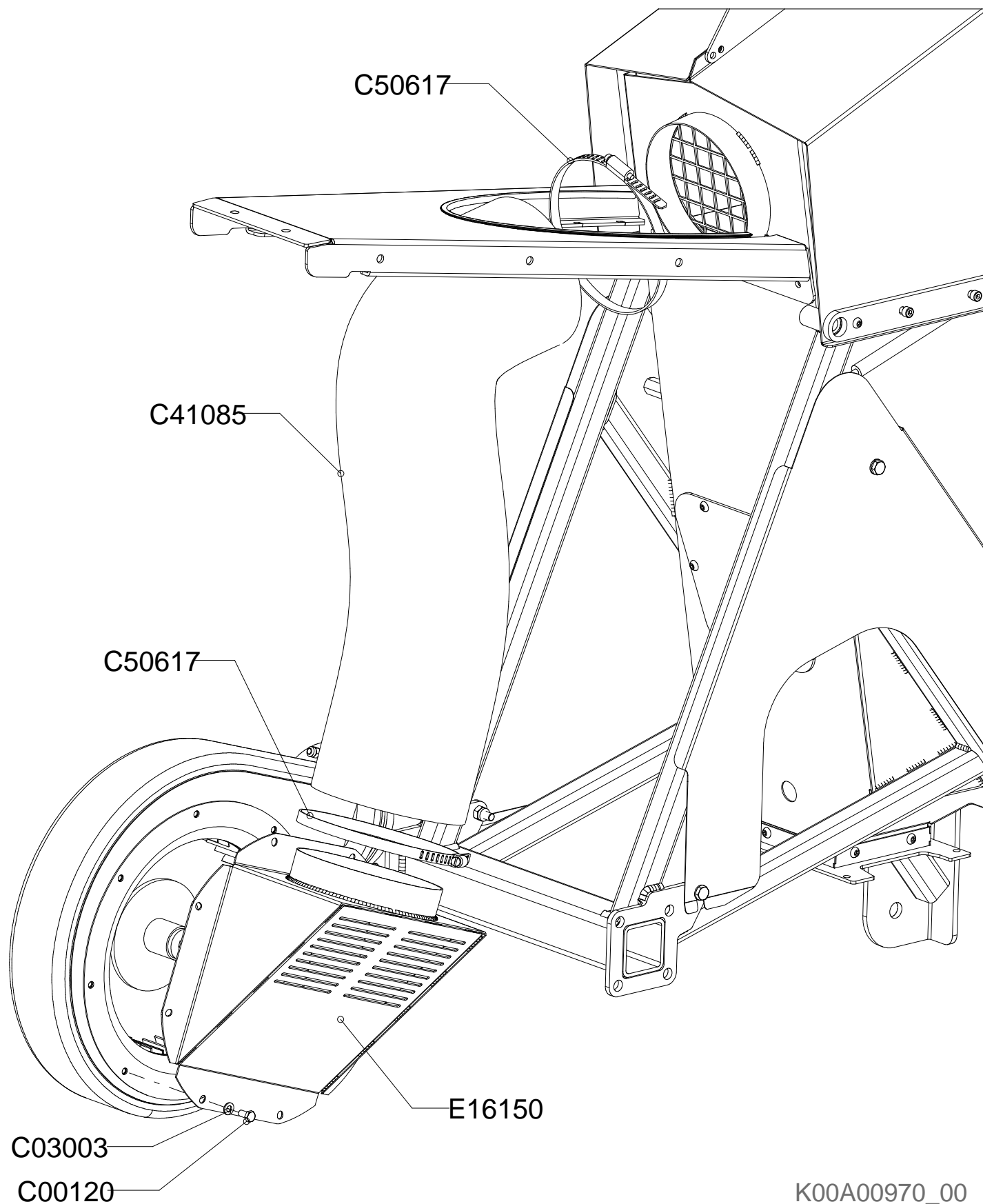
**100805\_0**

Accessories:

N°	Code	Old.	Descrizione / Description
#	M80A00026	C00029	VITE TE 88 PG FP M10X85 ZINC UNI 5737
#	H00A00002	C10006	PARAOLIO BASL D.18X30X7/7.5
#	H95A00009	C40111	MOTORE GR.2 6.4 CC BIDIREZ. DREN. STD. EU
#	C15A00010	C40214	COPERCHIO MOTORE REVERSIBILE 6.4CC C40111
#	C15A00011	C40215	FLANGIA MOTORE REVERSIBILE 6.4CC C40111
#	C15A00012	C40216	ANELLO DI SOSTEGNO PER MOTORE IDR. C40111
#	SCOA00085	CF3080	SERIE GUARN. MOTORE IDR.C40111

GB	FR	D	E
SCREW	VIS	SCHRAUBE	TORNILLO
SEALING RING	JOINT SPI	OELABDICHTUNG	PARAOLIO
ENGINE	MOTEUR	MOTOR	MOTOR
LID	COUVERCLE	DECKEL	TAPA
FLANGE	FLANC	FLANSCH	FLANGE
RING	AMORTISSEUR	RING	ANILLO
SERIES	SÉRIE	SERIE	SERIE





K00A00970\_00



## Aspirazione ventilatore

Fan aspiration

Souffleire aspiration

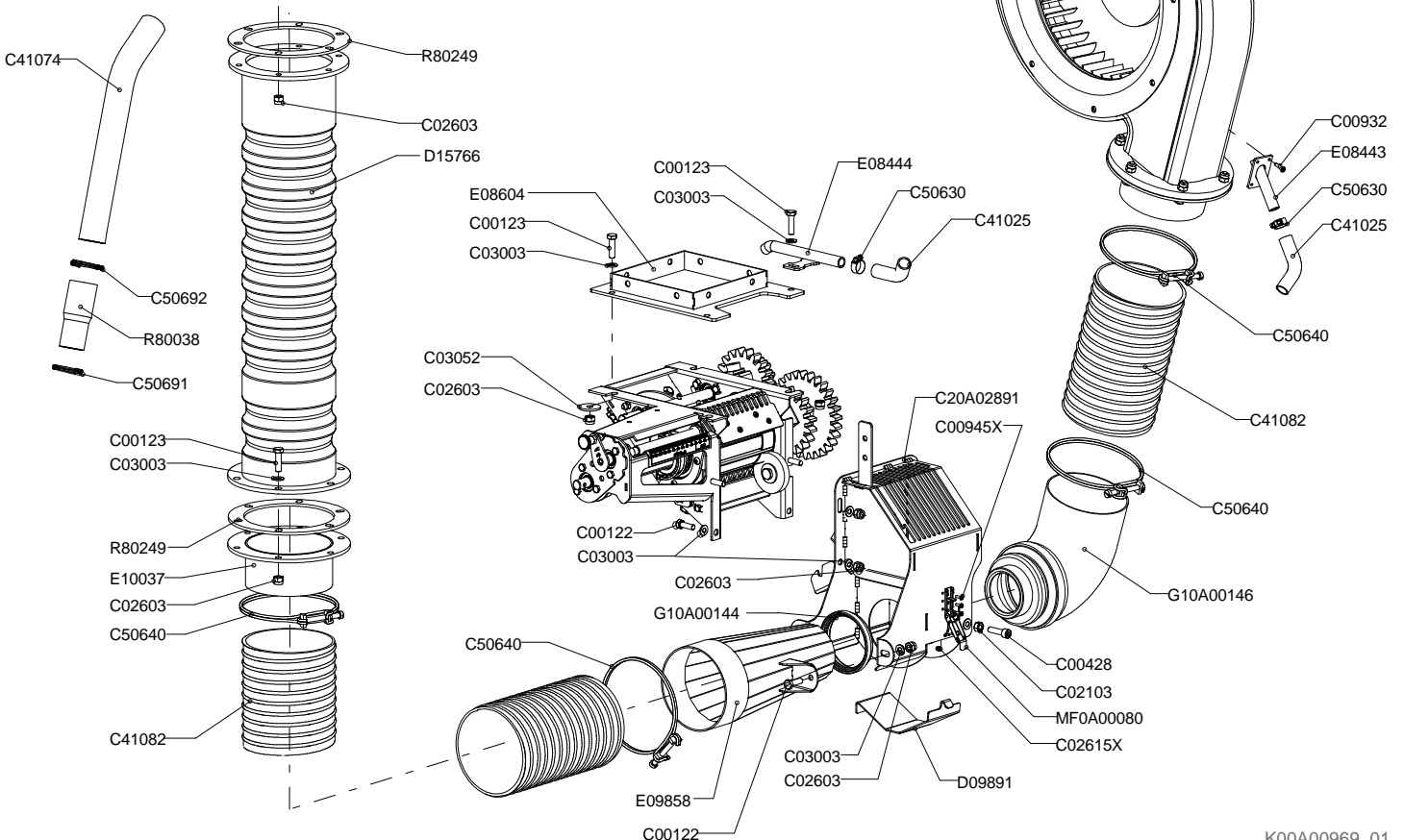
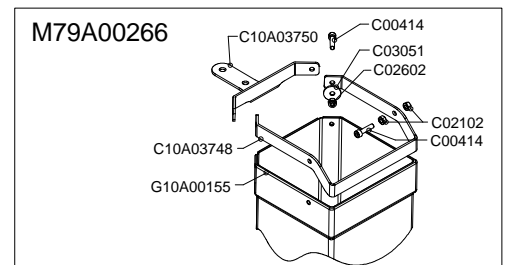
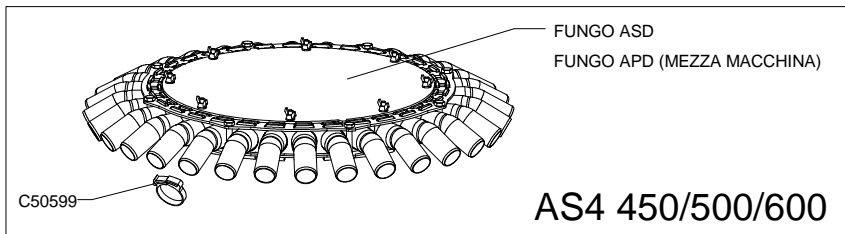
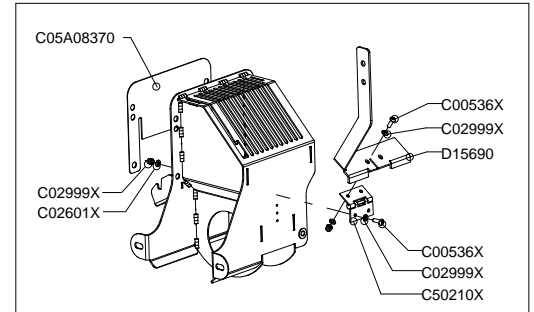
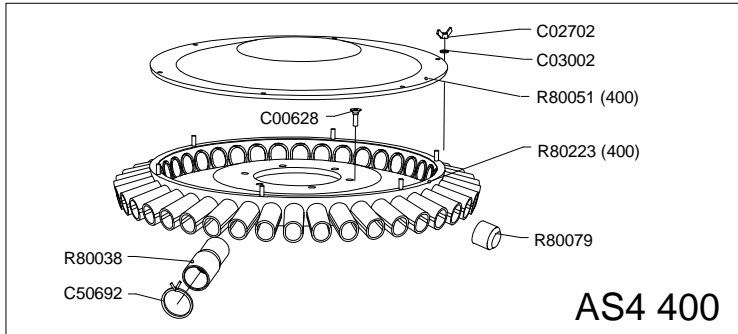
Geblase aspiration

Drawing Code: **K00A00970\_0**

Accessories:

N°	Code	Old.	Descrizione / Description
#	M80A00109	C00120	VITE TE 88 PG FT M8X16 ZINC UNI 5739
#	M90A00005	C03003	RONDELLA PIANA D.8,4 DIN125-A ZINC.
#	P00A00019	C41085	TUBO EOLO CON SPIRALE PVC D.200 INT.
#	MH5A00027	C50617	FASCETTA STRINGITUBO D 191-216X14.3
#	C20A02848	E16150	CARTER ASPIRAZIONE VENTILATORE ALU-350 IDRO

GB	FR	D	E
SCREW	VIS	SCHRAUBE	TORNILLO
WASHER	RONDELLE	UNTERLEGSCHIEBE	ARANDELLA
TUBE	TUBE	ROHR	TUBO
CLIP	RIVELSAN	BAND	BANDAS
HOUSING	CARTER	GEHAUSE	CARTER





## Gruppo aria AS4

Air group AS4

Groupe Air AS4

Air Gruppe AS4

Drawing Code: **K00A00969\_1**

Accessories:

N°	Code	Old.	Descrizione / Description	GB	FR	D	E
#	M80A00111	C00122	VITE TE 88 PG FT M8X25 ZINC UNI 5739	SCREW	VIS	SCHRAUBE	TORNILLO
#	M80A00112	C00123	VITE TE 88 PG FT M8X30 ZINC UNI 5739	SCREW	VIS	SCHRAUBE	TORNILLO
#	M80A00228	C00414	VITE TCEI PG M6X25 ZINC UNI 5931	SCREW	VIS	SCHRAUBE	TORNILLO
#	M80A00241	C00428	VITE TCEI PG M8X30 ZINC UNI 5931	SCREW	VIS	SCHRAUBE	TORNILLO
#	M80A00406	C00536X	VITE TBEI M5X16 ISO 7380 TESTA BOMBATA INOX A2	SCREW	VIS	SCHRAUBE	TORNILLO
#	M80A00281	C00628	VITE TSPEI 10.9 PG M8X25 ZINC UNI 5933	SCREW	VIS	SCHRAUBE	TORNILLO
#	M80A00371	C00932	VITE AUTOFIL. 4,2X19 UNI 6954 AB	SCREW	VIS	SCHRAUBE	TORNILLO
#	M80A00417	C00945X	VITE TC M3X10 INOX A2 UNI 7687	SCREW	VIS	SCHRAUBE	TORNILLO
#	M85A00025	C02102	DADO NORMALE 8 PG M6 UNI 5588	NUT	BOULONS	NUT	DADO
#	M85A00026	C02103	DADO NORMALE 8 PG M8 UNI 5588	NUT	BOULONS	NUT	DADO
#	M85A00113	C02601X	DADO AUTOBLOC ALTO M5 INOX A2 H=6.8 UNI 7473	NUT	BOULONS	NUT	DADO
#	M85A00073	C02602	DADO AUTOBLOC ALTO 8 M6 H=7.8 UNI 7473	NUT	BOULONS	NUT	DADO
#	M85A00075	C02603	DADO AUTOBLOC ALTO 8 M8 H=10.6 UNI 7473	NUT	BOULONS	NUT	DADO
#	M85A00115	C02615X	DADO AUTOBLOC ALTO 8 M3 INOX A2 H=4.4 UNI 7473	NUT	BOULONS	NUT	DADO
#	M85A00098	C02702	DADO AD ALETTE M6 UNI 5448 ZINC.	NUT	BOULONS	NUT	DADO
#	M90A00074	C02999X	RONDELLA PIANA D.5,3 DIN125-A INOX A2	WASHER	RONDELLE	UNTERLEGSCHLEIBE	ARANDELLA
#	M90A00003	C03002	RONDELLA PIANA D.6,4 DIN125-A ZINC.	WASHER	RONDELLE	UNTERLEGSCHLEIBE	ARANDELLA
#	M90A00005	C03003	RONDELLA PIANA D.8,4 DIN125-A ZINC.	WASHER	RONDELLE	UNTERLEGSCHLEIBE	ARANDELLA
#	M90A00026	C03051	RONDELLA PIANA D6.6XD24X2 UNI 6593 ZINC.	WASHER	RONDELLE	UNTERLEGSCHLEIBE	ARANDELLA
#	M90A00027	C03052	RONDELLA PIANA d9xD32x2.5 UNI 6593 ZINC.	WASHER	RONDELLE	UNTERLEGSCHLEIBE	ARANDELLA
#	C05A08370		PARETE INTERNA INOX 1MM DOSATORE-VENTURI	GAUGE	JAUGE	DRUCKANZEIGER	MANOMETRO
#	C10A03748		TELAIO SACCA PER PROVA DI SEMINA	FRAME	CHASSIS	RAHMEN	MARCO
#	C10A03750		MANIGLIA SACCA PER PROVA DI SEMINA	HANDLE	MANILLE	GRIFF	MANGO
#	C20A02891	E16340	VENTURI AIRSPEED 130/110 INOX 2 VERS.	VENTURI	VENTURI	VENTURI	IMAN
#	P00A00003	C41025	TUBO RETINATO D.16 INTERNO TRASPARENTE	TUBE	TUBE	ROHR	TUBO
#	P00A00010	C41074	TUBO PU SPIRALE - BLU - D.32 INT.	TUBE	TUBE	ROHR	TUBO
#	P00A00017	C41082	TUBO PU SPIRALE ACCIAIO D.130 INT.	TUBE	TUBE	ROHR	TUBO
#	MF0A00076	C50210X	CERNIERA A MOLLA 50X50 4 FORI M5 INOX A2	HINGE	CHARNIERE	SCHARNIER	BISAGRA
#	MH5A00009	C50599	FASCETTE PVC 2?FILE DI DENTI 34.3 - 37.9	CLIP	RIVELSAN	BAND	BANDAS
#	MH5A00031	C50630	FASCETTA STRINGITUBO D.16-25X9	CLIP	RIVELSAN	BAND	BANDAS
#	MH5A00034	C50640	FASCETTA BIFILARE D.135-150 (TUBO D.130)	CLIP	RIVELSAN	BAND	BANDAS
#	MF5A00002	C50691	MOLLA STRINGITUBO D.36	SPRING	RESSORT	FEDER	MUELLE
#	MF5A00003	C50692	MOLLA STRINGITUBO D.40	SPRING	RESSORT	FEDER	MUELLE
#	C10A02435	D09891	PORTA INFERIORE VENTURI L=70.5	DOOR	PORTE	TUER	PUERTA
#	C10A03493	D15690	PIEGATO PALPEBRA A LEVA PROVA DI SEMINA	BENT	PLIE	GEBOGEN	PLEGADO
#	C15A01046	D15766	TUBO CONVOGLIATORE CORRUGATO AS2/AS3	TUBE	TUBE	ROHR	TUBO
#	C20A01462	E08443	PRESA D'ARIA SU VENTILATORE AS1 AS2 AS3	PLUG	PRISE	STECKDOSE	PRESA
#	C20A01463	E08444	INIETTORE D'ARIA PULIZIA DOSATORE AS1	INJECTOR	INJECTEUR	INJEKTOR	INYECTORES
#	C20A01486	E08604	COLLETTORE TRAMOGGIA-DOSATORE AS2 - AS3	MANIFOLD	COLLECTEUR	SAMMELROHR	COLECCIONISMO
#	C20A01689	E09858	DIFFUSORE FUNGO DISTR.D.129D.86L.220***	DIFFUSER	DIFFUSEUR	DIFFUSER	DIFUSOR
#	C20A01714	E10037	COLLETTORE TUBO CORRUGATO D. 130 AS2/3	MANIFOLD	COLLECTEUR	SAMMELROHR	COLECCIONISMO
#	G10A00144	D16327	ANELLO USCITA VENTURI 110/130	RING	AMORTISSEUR	RING	ANILLO
#	G10A00146	M16330	CURVA COMPLETA D.125 INGRESSO VENTURI	CURVE	COURBE	BOGEN	CURVO
#	G10A00155		SACCA PROVA DI SEMINA	BAG	SAC	SACK	SACO
#	M79A00266		SACCA MONTATA PROVA DI SEMINA SU DOSAL	BAG	SAC	SACK	SACO
#	MF0A00080	C50290X	CHIUSURA A LEVA INOX CON MOLLA SICUREZZA	GATE	FERMETURE	VERSCHLUSS	CIERRE
#	G00A00061	R80038	RIDUZIONE IN GOMMA TUBO FLESS. NERO	REDUCTION	REDUCTION	UNTERSETZUNG	REDUCCION
#	C15A00957	R80051	COPERCHIO FUNGO 32 IN ALLUMINIO	LID	COUVERCLE	DECKEL	TAPA
#	G00A00069	R80079	TAPPO USCITA FUNGO DI 30X30	PLUG	BOUCHON	STOEPSSEL	ENCHUFE

Copyright © 2009 Alpego s.p.a. ®

Tutti i diritti sono riservati. È vietata espressamente la ristampa o l'uso non autorizzato senza permesso scritto dalla Alpego s.p.a.

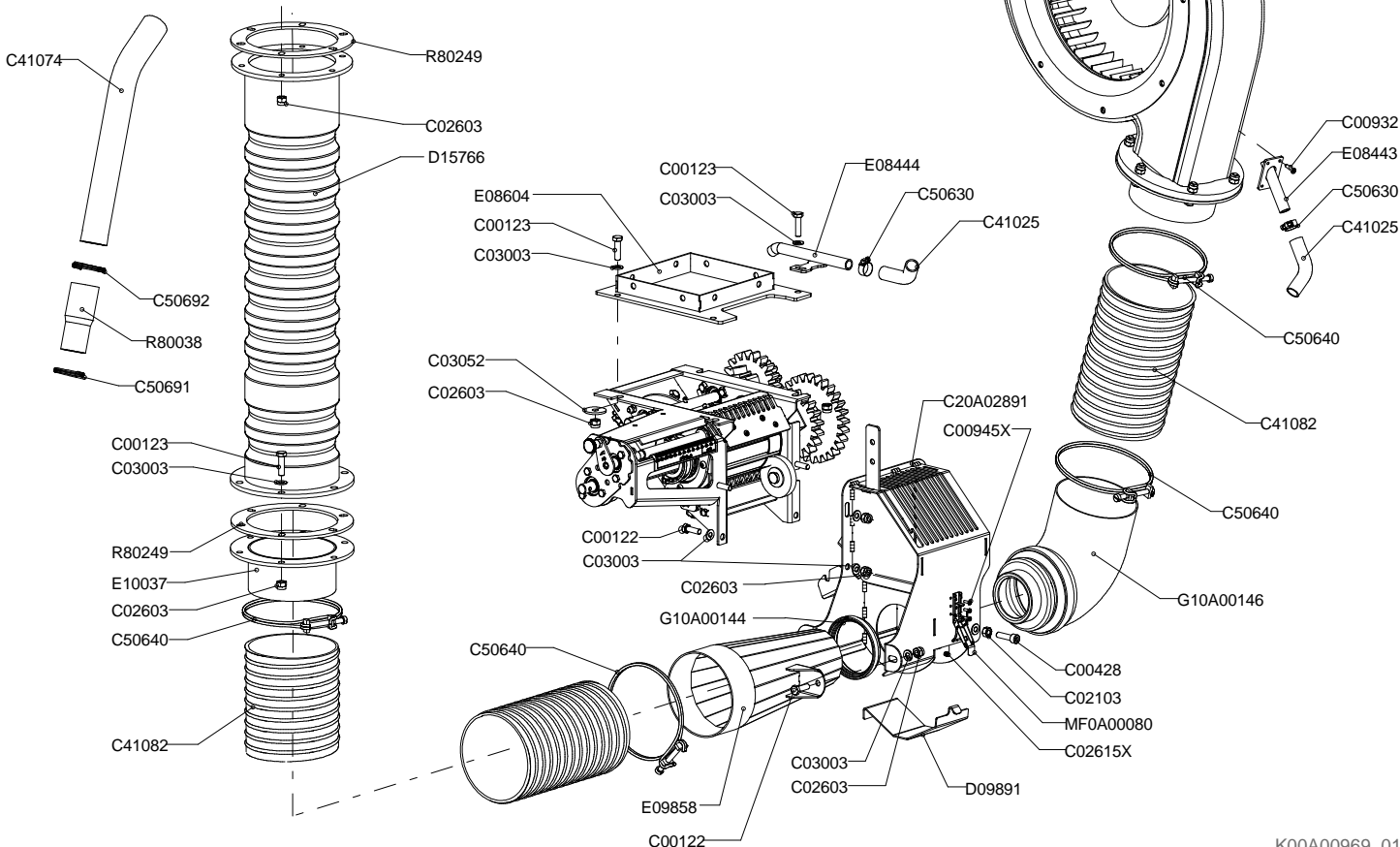
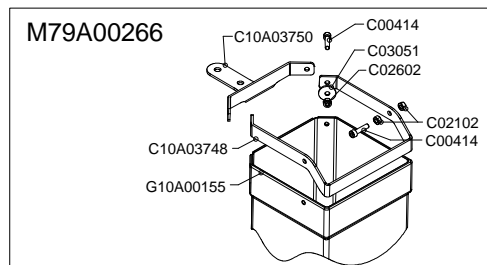
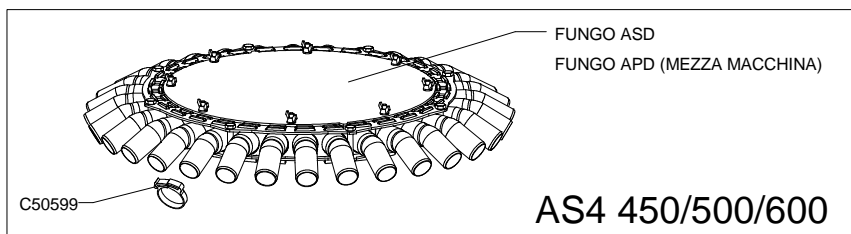
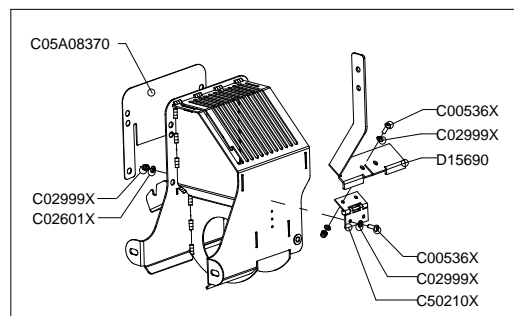
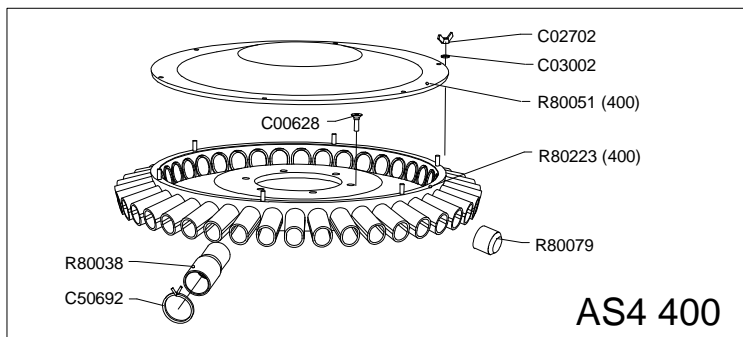
Tous droits réservés. Toute réimpression ou utilisation non autorisée sans la permission écrite de la Alpego s.p.a. est formellement interdite

Alle Rechte vorbehalten. Nachdruck, Vervielfältigung und Verbreitung, auch auszugsweise, ist ohne schriftliche Genehmigung der Alpego s.p.a.

Al rights reserved. Any reprinting or unauthorized use without the written permission of Alpego s.p.a. is expressly prohibited

Todos los derechos reservados. Toda reproducción o uso no autorizado sin el consentimiento escrito de Alpego s.p.a. quedan expresamente prohibidos

06/06/2014





## Gruppo aria AS4

Air group AS4

Groupe Air AS4

Air Gruppe AS4

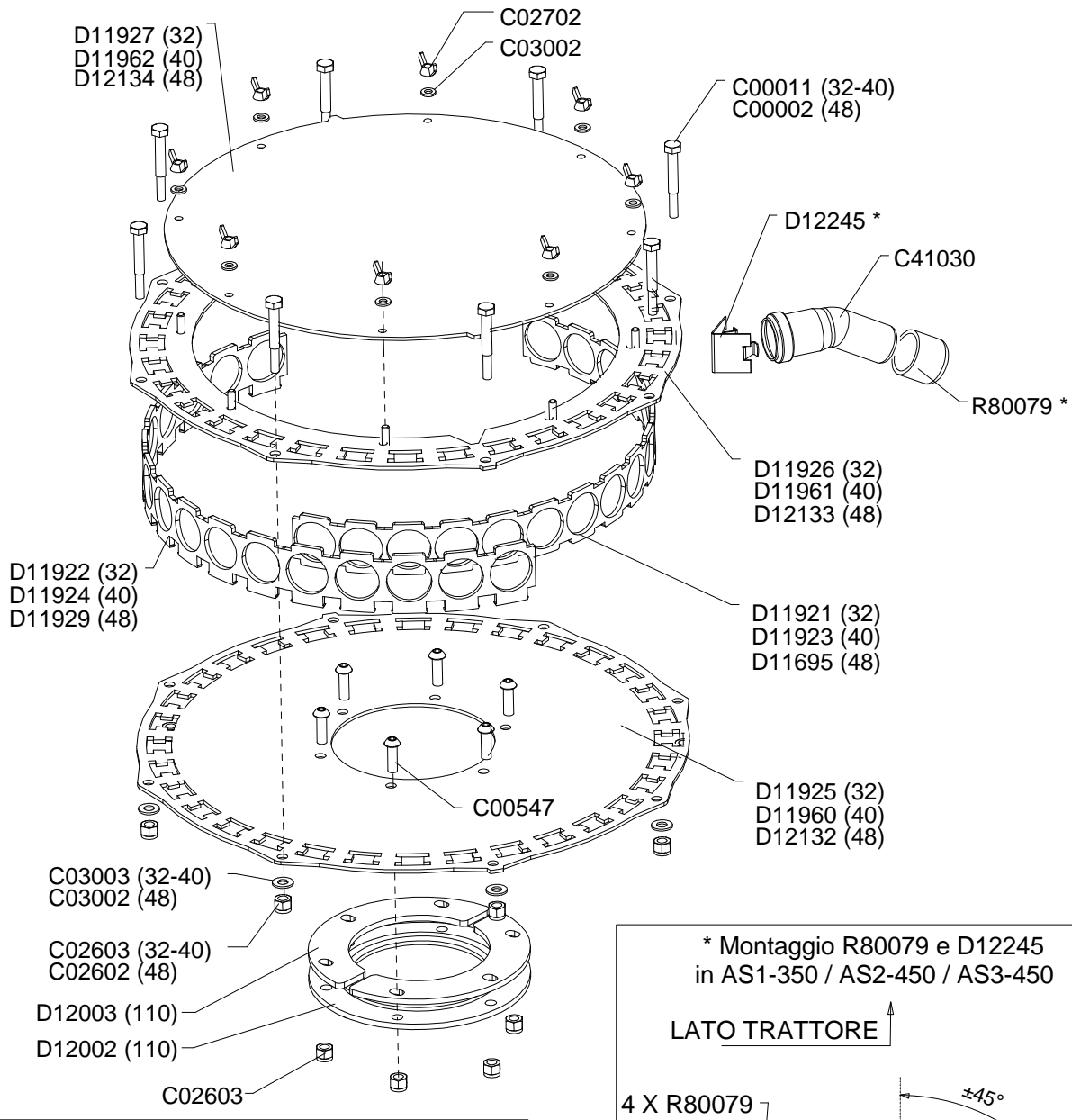
Drawing Code: **K00A00969\_1**

Accessories:

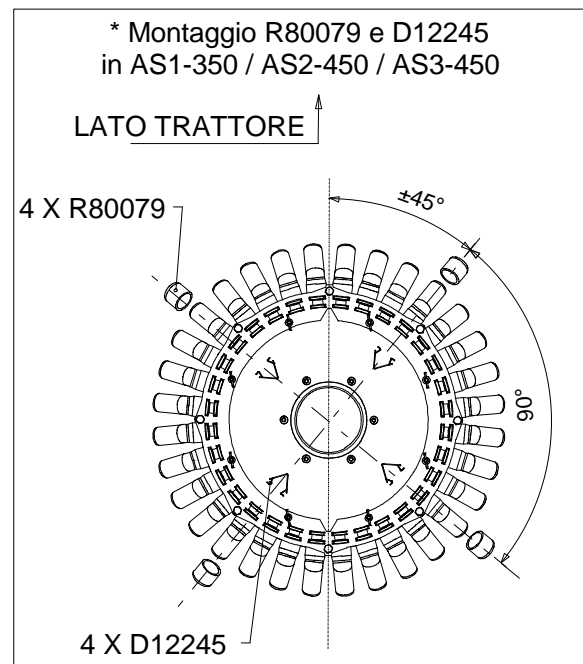
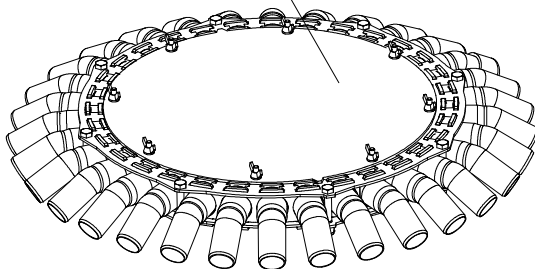
N°	Code	Old.	Descrizione / Description
#	G00A00090	R80223	DISTRIBUTORE 32 USCITE X TUBO D.103 SEF
#	G05A00062	R80249	ANELLO GUARN TUBO CORRUG / FUNGO

GB	FR	D	E
DISTRIBUTOR	DISTRIBUTEUR	VERTEILER	DISTRIBUIDOR
RING	AMORTISSEUR	RING	ANILLO





- M11992 (32-110)
- M11993 (32-130)
- M11994 (40-130)
- M11995 (48-130)





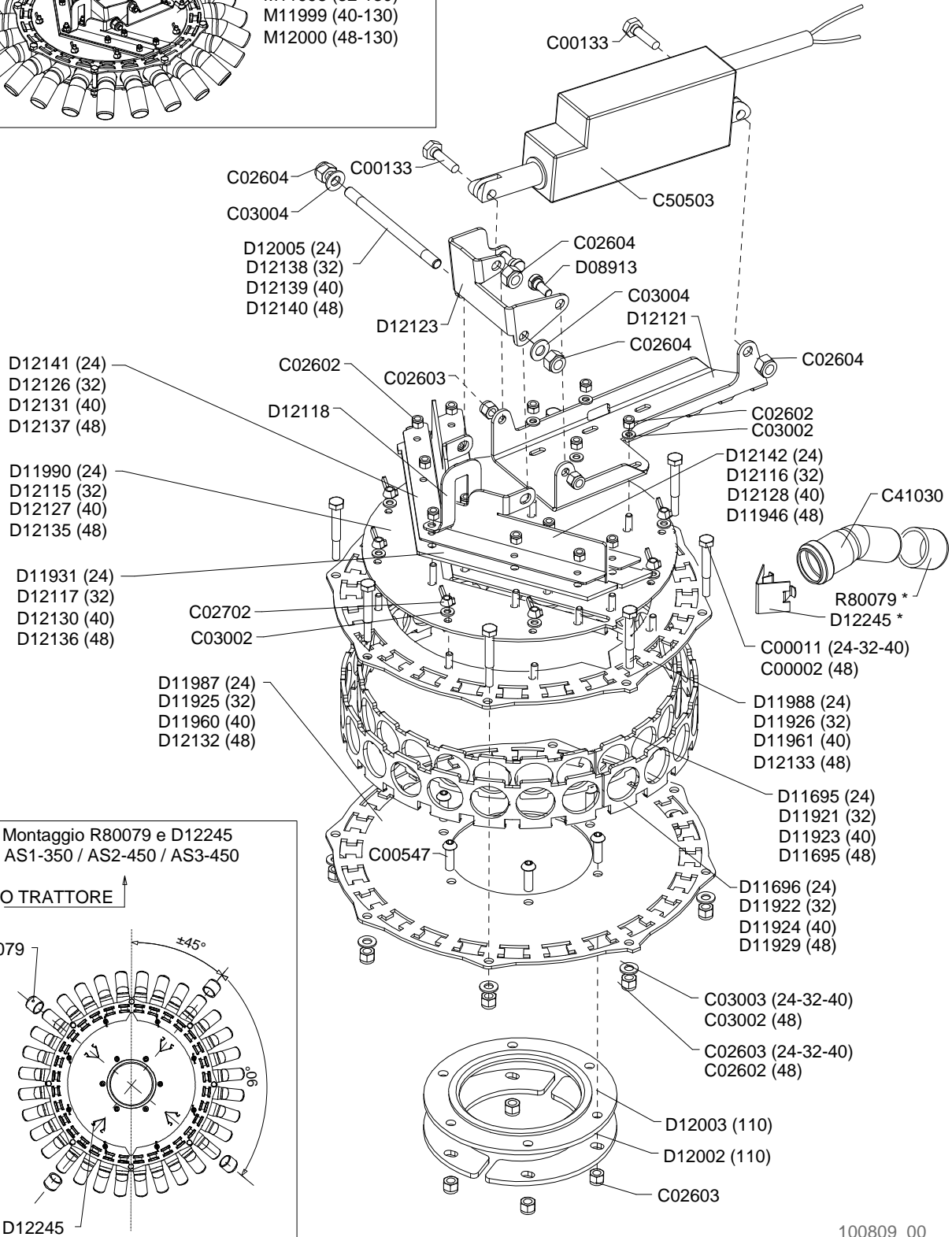
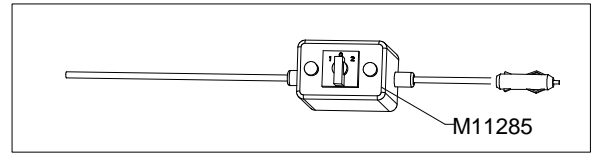
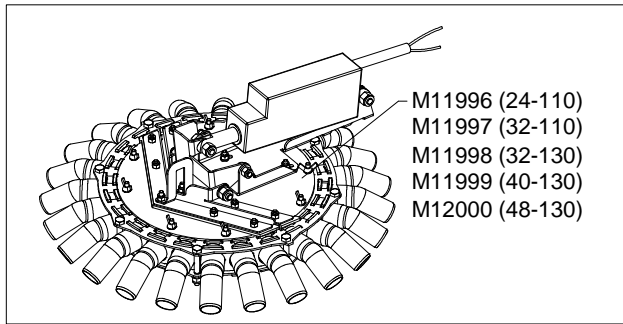


**Fungo ASD**  
 Distributor ASD  
 Distributeur ASD  
 Verteiler ASD

Drawing Code: **100808\_0**

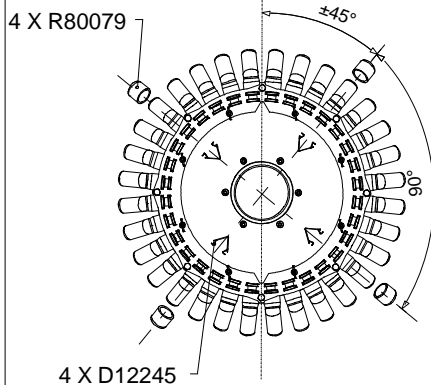
Accessories:

N°	Code	Old.	Descrizione / Description	GB	FR	D	E
#	M80A00002	C00002	VITE TE 88 PG FP M6X60 ZINC UNI 5737	SCREW	VIS	SCHRAUBE	TORNILLO
#	M80A00008	C00011	VITE TE 88 PG FP M8X60 ZINC UNI 5737	SCREW	VIS	SCHRAUBE	TORNILLO
#	M80A00268	C00547	VITE TBEI 8.8 M8X25 ISO 7380 ZINC TESTA BOMB	SCREW	VIS	SCHRAUBE	TORNILLO
#	M85A00073	C02602	DADO AUTOBLOC ALTO 8 M6 H=7.8 UNI 7473	NUT	BOULONS	NUT	DADO
#	M85A00075	C02603	DADO AUTOBLOC ALTO 8 M8 H=10.6 UNI 7473	NUT	BOULONS	NUT	DADO
#	M85A00098	C02702	DADO AD ALETTE M6 UNI 5448 ZINC.	NUT	BOULONS	NUT	DADO
#	M90A00003	C03002	RONDELLA PIANA D.6,4 DIN125-A ZINC.	WASHER	RONDELLE	UNTERLEGSscheIBE	ARANDELLA
#	M90A00005	C03003	RONDELLA PIANA D.8,4 DIN125-A ZINC.	WASHER	RONDELLE	UNTERLEGSscheIBE	ARANDELLA
#	P15A00003	C41030	CURVA D.32 POLIPROPILENE GRIGIO RIGIDO 30°	CURVE	COURBE	BOGEN	CURVO
#	G05A00016	D11695	TASSELLO INTERNO 24 FORI	SMALL BLOCK	AMARRAGES	DUEBEL	ANCLAS
#	G05A00019	D11921	TASSELLO INTERNO 16 FORI	SMALL BLOCK	AMARRAGES	DUEBEL	ANCLAS
#	G05A00020	D11922	TASSELLO ESTERNO 16 FORI	SMALL BLOCK	AMARRAGES	DUEBEL	ANCLAS
#	G05A00021	D11923	TASSELLO INTERNO 20 FORI	SMALL BLOCK	AMARRAGES	DUEBEL	ANCLAS
#	G05A00022	D11924	TASSELLO ESTERNO 20 FORI	SMALL BLOCK	AMARRAGES	DUEBEL	ANCLAS
#	C20A00015	D11925	PIASTRA INFERIORE FUNGO 32	PLATE	PLAQUE	PLATTE	PLACA
#	C20A00016	D11926	PIASTRA SUPERIORE FUNGO 32	PLATE	PLAQUE	PLATTE	PLACA
#	C05A06898	D11927	COPERCHIO FUNGO ASD 32	LID	COUVERCLE	DECKEL	TAPA
#	G05A00023	D11929	TASSELLO ESTERNO 48 (24 FORI)	SMALL BLOCK	AMARRAGES	DUEBEL	ANCLAS
#	C05A06905	D11960	PIASTRA INFERIORE FUNGO 40	PLATE	PLAQUE	PLATTE	PLACA
#	C20A00018	D11961	PIASTRA SUPERIORE FUNGO 40	PLATE	PLAQUE	PLATTE	PLACA
#	C05A06906	D11962	COPERCHIO FUNGO ASD 40	LID	COUVERCLE	DECKEL	TAPA
#	C15A00653	D12002	FLANGIA CENTRAGGIO TUBO FUNGO 100	FLANGE	FLANC	FLANSche	FLANGE
#	C05A06918	D12003	SEMIFLANGIA FISSAGGIO TUBO 100 5MM	-	-	-	-
#	C05A06949	D12132	PIASTRA INFERIORE FUNGO 48	PLATE	PLAQUE	PLATTE	PLACA
#	C20A00022	D12133	PIASTRA SUPERIORE FUNGO 48	PLATE	PLAQUE	PLATTE	PLACA
#	C05A06950	D12134	COPERCHIO FUNGO ASD 48	LID	COUVERCLE	DECKEL	TAPA
#	C10A02838	D12245	OTTURATORE FUNGO ASD/APD	SHUTTER	OBTURATEUR	SHUTTER	OBTURADOR
#	M79A00154	M11992	KIT FUNGO ASD 32-110	KIT	KIT	KIT	KIT
#	M79A00155	M11993	KIT FUNGO ASD 32-130	KIT	KIT	KIT	KIT
#	M79A00156	M11994	KIT FUNGO ASD 40-130	KIT	KIT	KIT	KIT
#	M79A00157	M11995	KIT FUNGO ASD 48-130	KIT	KIT	KIT	KIT
#	G00A00069	R80079	TAPPO USCITA FUNGO DI 30X30	PLUG	BOUCHON	STOEPSSEL	ENCHUFE



\* Montaggio R80079 e D12245  
in AS1-350 / AS2-450 / AS3-450

LATO TRATTORE





**Fungo APD**  
 Distributor APD  
 Distributeur APD  
 Verteiler APD

Drawing Code: **100809\_0**

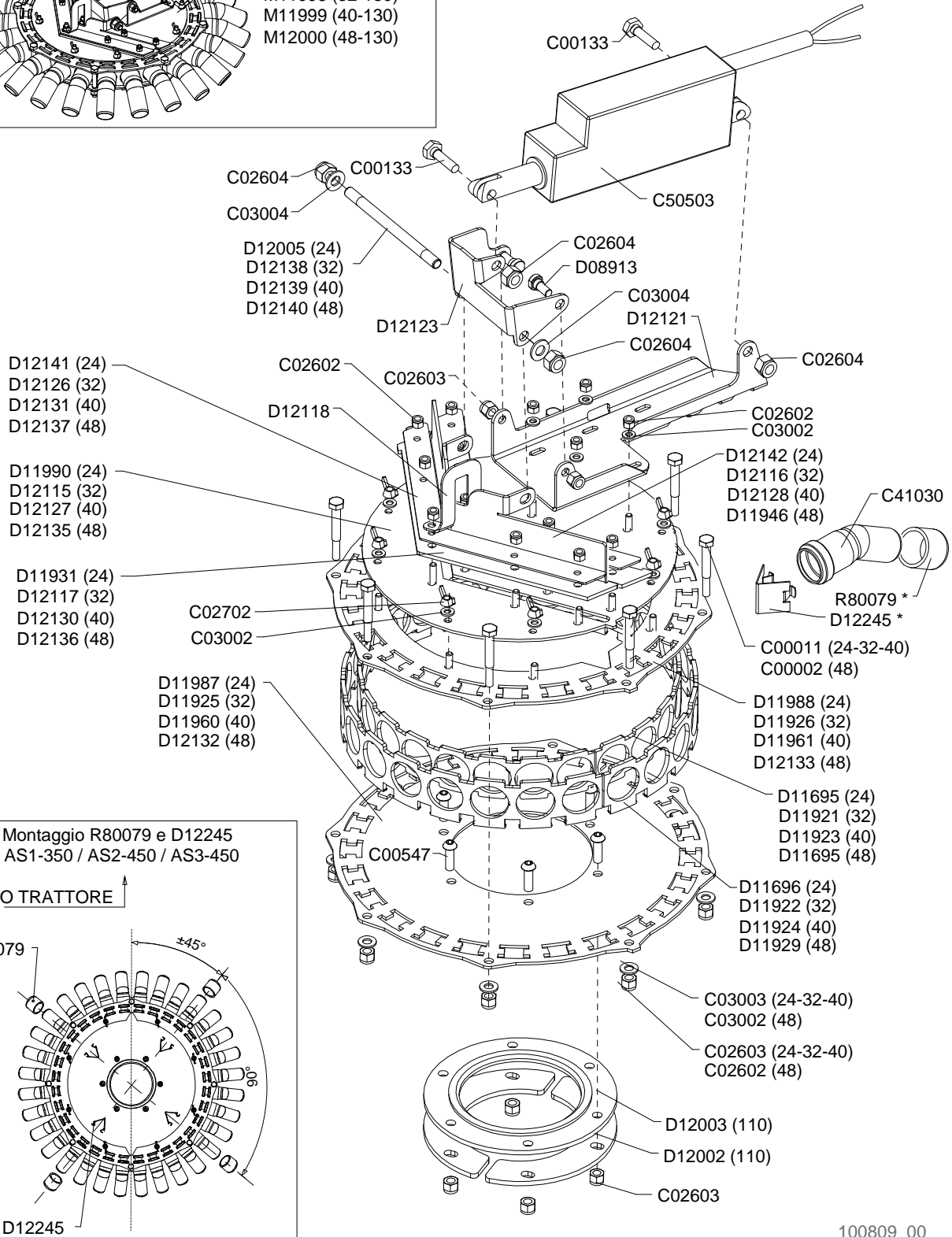
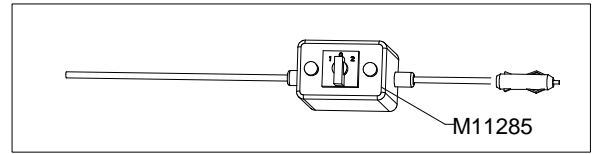
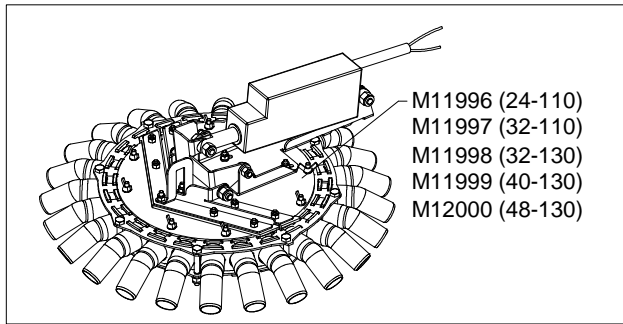
Accessories:

N°	Code	Old.	Descrizione / Description	GB	FR	D	E
#	M80A00002	C00002	VITE TE 88 PG FP M6X60 ZINC UNI 5737	SCREW	VIS	SCHRAUBE	TORNILLO
#	M80A00008	C00011	VITE TE 88 PG FP M8X60 ZINC UNI 5737	SCREW	VIS	SCHRAUBE	TORNILLO
#	M80A00121	C00133	VITE TE 88 PG FT M10X35 ZINC UNI 5739	SCREW	VIS	SCHRAUBE	TORNILLO
#	M80A00268	C00547	VITE TBEI 8.8 M8X25 ISO 7380 ZINC TESTA BOMB	SCREW	VIS	SCHRAUBE	TORNILLO
#	M85A00073	C02602	DADO AUTOBLOC ALTO 8 M6 H=7.8 UNI 7473	NUT	BOULONS	NUT	DADO
#	M85A00075	C02603	DADO AUTOBLOC ALTO 8 M8 H=10.6 UNI 7473	NUT	BOULONS	NUT	DADO
#	M85A00077	C02604	DADO AUTOBLOC ALTO 8 M10 H=11.5 UNI 7473	NUT	BOULONS	NUT	DADO
#	M85A00098	C02702	DADO AD ALETTE M6 UNI 5448 ZINC.	NUT	BOULONS	NUT	DADO
#	M90A00003	C03002	RONDELLA PIANA D.6,4 DIN125-A ZINC.	WASHER	RONDELLE	UNTERLEGSCHLEIBE	ARANDELLA
#	M90A00005	C03003	RONDELLA PIANA D.8,4 DIN125-A ZINC.	WASHER	RONDELLE	UNTERLEGSCHLEIBE	ARANDELLA
#	M90A00007	C03004	RONDELLA PIANA D.10,5 DIN125-A ZINC.	WASHER	RONDELLE	UNTERLEGSCHLEIBE	ARANDELLA
#	P15A00003	C41030	CURVA D.32 POLIPROPILENE GRIGIO RIGIDO 30°	CURVE	COURBE	BOGEN	CURVO
#	E05A00002	C50503	ATTUATORE LA12 700N CORSA 40 IP66 12V	ACTUATOR	ACTIONNEUR	TRIEB	ACTUADOR
#	M15A00109	D08913	PERNO A VITE M8 ANTINTASAMENTO DISCHI **	PIN	PIVOT	STIFT	PIN
#	G05A00016	D11695	TASSELLO INTERNO 24 FORI	SMALL BLOCK	AMARRAGES	DUEBEL	ANCLAS
#	G05A00017	D11696	TASSELLO ESTERNO 24 FORI	SMALL BLOCK	AMARRAGES	DUEBEL	ANCLAS
#	G05A00019	D11921	TASSELLO INTERNO 16 FORI	SMALL BLOCK	AMARRAGES	DUEBEL	ANCLAS
#	G05A00020	D11922	TASSELLO ESTERNO 16 FORI	SMALL BLOCK	AMARRAGES	DUEBEL	ANCLAS
#	G05A00021	D11923	TASSELLO INTERNO 20 FORI	SMALL BLOCK	AMARRAGES	DUEBEL	ANCLAS
#	G05A00022	D11924	TASSELLO ESTERNO 20 FORI	SMALL BLOCK	AMARRAGES	DUEBEL	ANCLAS
#	C20A00015	D11925	PIASTRA INFERIORE FUNGO 32	PLATE	PLAQUE	PLATTE	PLACA
#	C20A00016	D11926	PIASTRA SUPERIORE FUNGO 32	PLATE	PLAQUE	PLATTE	PLACA
#	G05A00023	D11929	TASSELLO ESTERNO 48 (24 FORI)	SMALL BLOCK	AMARRAGES	DUEBEL	ANCLAS
#							
#	C10A02793	D11946	SERRANDA FUNGO APD 48	ROLLER SHUTTER	AMORTISSEUR	DÄMPFER	PERSIANA
#	C05A06905	D11960	PIASTRA INFERIORE FUNGO 40	PLATE	PLAQUE	PLATTE	PLACA
#	C20A00018	D11961	PIASTRA SUPERIORE FUNGO 40	PLATE	PLAQUE	PLATTE	PLACA
#	C20A00019	D11987	PIASTRA INFERIORE FUNGO 24	PLATE	PLAQUE	PLATTE	PLACA
#	C20A00020	D11988	PIASTRA SUPERIORE FUNGO 24	PLATE	PLAQUE	PLATTE	PLACA
#	C15A00652	D11990	COPERCHIO FUNGO APD 24	LID	COUVERCLE	DECKEL	TAPA
#	C15A00653	D12002	FLANGIA CENTRAGGIO TUBO FUNGO 100	FLANGE	FLANC	FLANSCH	FLANGE
#	C05A06918	D12003	SEMIFLANGIA FISSAGGIO TUBO 100 5MM	-	-	-	-
#	MF0A00049	D12005	ASTA FILETTATA M10X145	ROD	POLE	STIFT	POLOS
#	C15A00655	D12115	COPERCHIO FUNGO APD 32	LID	COUVERCLE	DECKEL	TAPA
#	C10A02816	D12116	SERRANDA FUNGO APD 32	ROLLER SHUTTER	AMORTISSEUR	DÄMPFER	PERSIANA
#	G05A00031	D12117	TASSELLO SERRANDA FUNGO APD 32	SMALL BLOCK	AMARRAGES	DUEBEL	ANCLAS
#	C10A02817	D12118	RINFORZO FUNGHI APD	REINFORCEMENT	RENFORT	VERSTAERKUNG	REFUERZO
#	C10A02818	D12121	SUPPORTO ATTUATORE FUNGO APD	SUPPORT	SUPPORT	STUTZE	APOYO
#	C10A02819	D12123	LEVA COMANDO SERRANDA FUNGO APD	LEVER	LEVIER	HEBEL	LEVA
#	C05A06946	D12126	RINFORZO TASSELLO SERRANDA APD 32	REINFORCEMENT	RENFORT	VERSTAERKUNG	REFUERZO
#	C20A00021	D12127	COPERCHIO FUNGO APD 40	LID	COUVERCLE	DECKEL	TAPA
#	C10A02820	D12128	SERRANDA FUNGO APD 40	ROLLER SHUTTER	AMORTISSEUR	DÄMPFER	PERSIANA
#	G05A00032	D12130	TASSELLO SERRANDA FUNGO APD 40	SMALL BLOCK	AMARRAGES	DUEBEL	ANCLAS
#	C05A06948	D12131	RINFORZO TASSELLO SERRANDA APD 40	REINFORCEMENT	RENFORT	VERSTAERKUNG	REFUERZO
#	C05A06949	D12132	PIASTRA INFERIORE FUNGO 48	PLATE	PLAQUE	PLATTE	PLACA
#	C20A00022	D12133	PIASTRA SUPERIORE FUNGO 48	PLATE	PLAQUE	PLATTE	PLACA
#	C20A00023	D12135	COPERCHIO FUNGO APD 48	LID	COUVERCLE	DECKEL	TAPA
#	G05A00033	D12136	TASSELLO SERRANDA FUNGO APD 48	SMALL BLOCK	AMARRAGES	DUEBEL	ANCLAS
#	C05A06951	D12137	RINFORZO TASSELLO SERRANDA APD 48	REINFORCEMENT	RENFORT	VERSTAERKUNG	REFUERZO

Copyright © 2009 Alpego s.p.a. ®

Tutti i diritti sono riservati. È vietata espressamente la ristampa o l'uso non autorizzato senza permesso scritto dalla Alpego s.p.a.  
 Tous droits réservés. Toute réimpression ou utilisation non autorisée sans la permission écrite de la Alpego s.p.a. est formellement interdite.  
 Alle Rechte vorbehalten. Nachdruck, Vervielfältigung und Verbreitung, auch auszugsweise, ist ohne schriftliche Genehmigung der Alpego s.p.a.  
 All rights reserved. Any reprinting or unauthorized use without the written permission of Alpego s.p.a. is expressly prohibited.  
 Todos los derechos reservados. Toda reproducción o uso no autorizado sin el consentimiento escrito de Alpego s.p.a. quedan expresamente prohibidos.

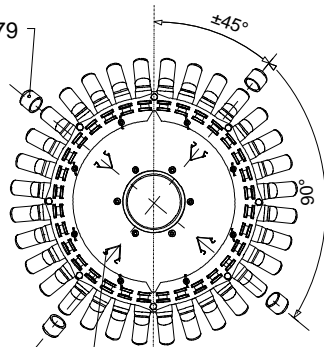
06/06/2014



\* Montaggio R80079 e D12245  
in AS1-350 / AS2-450 / AS3-450

LATO TRATTORE ↑

4 X R80079



4 X D12245

100809\_00



**Fungo APD**  
 Distributor APD  
 Distributeur APD  
 Verteiler APD

Drawing Code: **100809\_0**

Accessories:

N°	Code	Old.	Descrizione / Description
#	MF0A00050	D12138	ASTA FILETTATA M10X308
#	MF0A00051	D12139	ASTA FILETTATA M10X360
#	MF0A00052	D12140	ASTA FILETTATA M10X415
#	C05A06952	D12141	RINFORZO TASSELLO SERRANDA APD 24
#	C10A02821	D12142	SERRANDA FUNGO APD 24
#	C10A02838	D12245	OTTURATORE FUNGO ASD/APD
#	E00A00054	M11285	COMANDO 3 POSIZIONI ATTUATORE 12V
#	M79A00158	M11996	KIT FUNGO APD 24-110 MEZZA MACCHINA
#	M79A00159	M11997	KIT FUNGO APD 32-110 MEZZA MACCHINA
#	M79A00160	M11998	KIT FUNGO APD 32-130 MEZZA MACCHINA
#	M79A00161	M11999	KIT FUNGO APD 40-130 MEZZA MACCHINA
#	M79A00162	M12000	KIT FUNGO APD 48-130 MEZZA MACCHINA
#	G00A00069	R80079	TAPPO USCITA FUNGO DI 30X30

GB	FR	D	E
ROD	POLE	STIFT	POLOS
ROD	POLE	STIFT	POLOS
ROD	POLE	STIFT	POLOS
REINFORCEMENT	RENFORT	VERSTAERKUNG	REFUERZO
ROLLER SHUTTER	AMORTISSEUR	DÄMPFER	PERSIANA
SHUTTER	OBTURATEUR	SHUTTER	OBTURADOR
CONTROL	COMMANDE	STEUERUNG	ORDEN
KIT	KIT	KIT	KIT
KIT	KIT	KIT	KIT
KIT	KIT	KIT	KIT
KIT	KIT	KIT	KIT
KIT	KIT	KIT	KIT
KIT	KIT	KIT	KIT
PLUG	BOUCHON	STOEPSSEL	ENCHUFE



## Barra Fanali Posteriore per pieghevoli

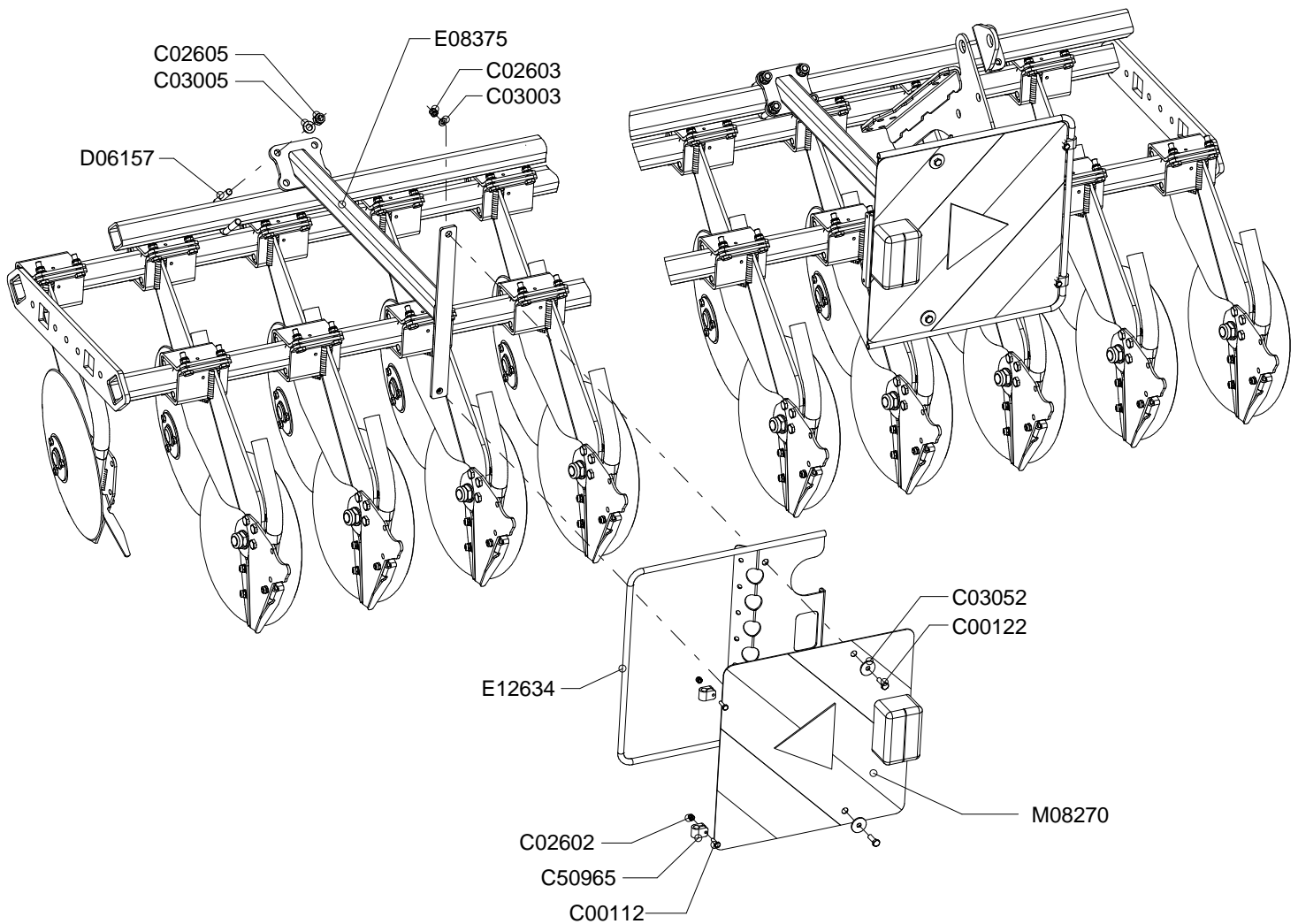
Rear lights for folding machines

Lumieres posterieures aux plieuses

Hinterbeleuchtung für Falzmaschinen

Drawing Code: **K00A01072\_0**

Accessories:



K00A01072\_00



## Barra Fanali Posteriore per pieghevoli

Rear lights for folding machines

Lumieres posterieures aux plieuses

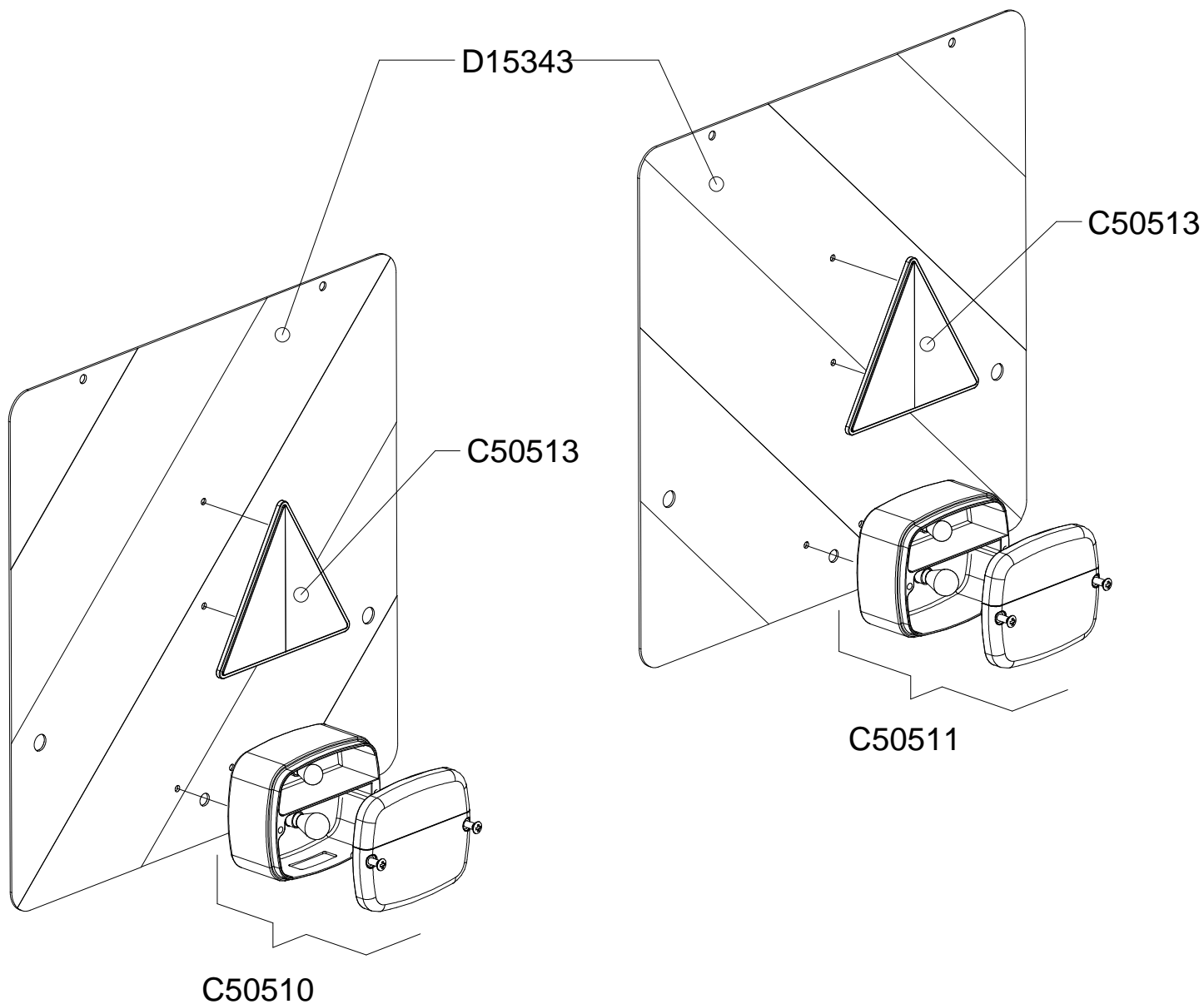
Hinterbeleuchtung für Falzmaschinen

Drawing Code: **K00A01072\_0**

Accessories:

N°	Code	Old.	Descrizione / Description	GB	FR	D	E
#	M80A00100	C00112	VITE TE 88 PG FT M6X25 ZINC UNI 5739	SCREW	VIS	SCHRAUBE	TORNILLO
#	M80A00111	C00122	VITE TE 88 PG FT M8X25 ZINC UNI 5739	SCREW	VIS	SCHRAUBE	TORNILLO
#	M85A00073	C02602	DADO AUTOBLOC ALTO 8 M6 H=7.8 UNI 7473	NUT	BOULONS	NUT	DADO
#	M85A00075	C02603	DADO AUTOBLOC ALTO 8 M8 H=10.6 UNI 7473	NUT	BOULONS	NUT	DADO
#	M85A00078	C02605	DADO AUTOBLOC ALTO 8 M12 H=14 UNI 7473	NUT	BOULONS	NUT	DADO
#	M90A00005	C03003	RONDELLA PIANA D.8,4 DIN125-A ZINC.	WASHER	RONDELLE	UNTERLEGSCHLEIBE	ARANDELLA
#	M90A00008	C03005	RONDELLA PIANA D.13 DIN125-A ZINC.	WASHER	RONDELLE	UNTERLEGSCHLEIBE	ARANDELLA
#	M90A00027	C03052	RONDELLA PIANA d9xD32x2.5 UNI 6593 ZINC.	WASHER	RONDELLE	UNTERLEGSCHLEIBE	ARANDELLA
#	E00A00029	C50965	MORSETTO STRINGICAVO D.12.7 LPDE NERO	TERMINAL	TERMINAL	TERMINAL	TERMINALES
#	MD5A00017	D06157	CAVALLOTTO QUADRO M12 T50X50X76	PIN	CAVALLIER	STIFT	CAVALLOTTI
#	C20A01454	E08375	SUPPORTO TABELLA LUCI SEF AS3	SUPPORT	SUPPORT	STUTZE	APOYO
#	C20A01991	E12634	CORNICE SUPPORTO TABELLA LUCI	-	-	-	-
#	E00A00046	M08270	BARRA FANALI 02.090.000 (AS1)	BAR	BARRE	STAB	BARRA





K00A01074\_00



## Componenti barra fanali

Components bar lights

Composants feux de barre

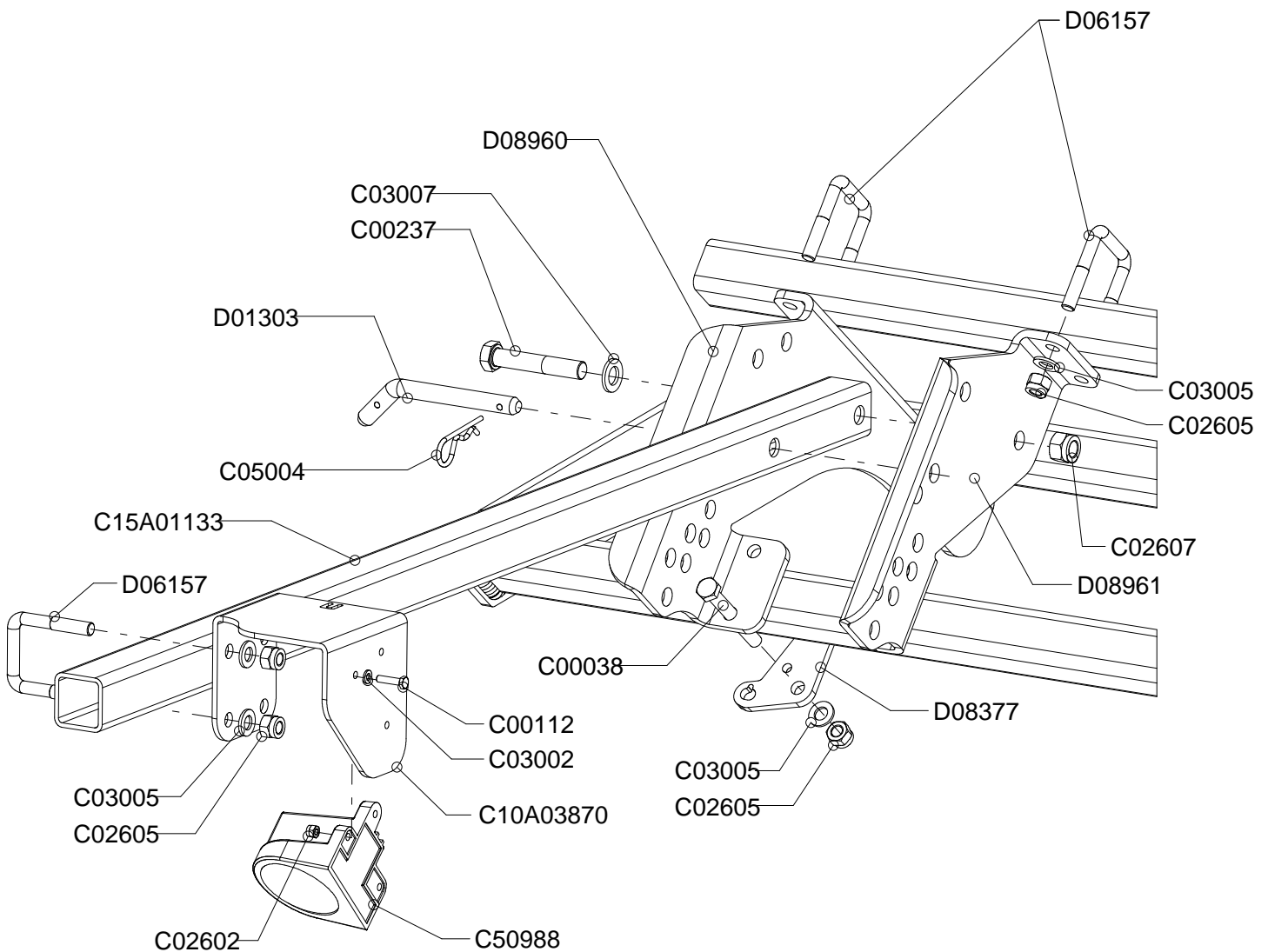
Komponenten Stablichter

Drawing Code: **K00A01074\_0**

Accessories: E00A00046

N°	Code	Old.	Descrizione / Description
#	E15A00001	C50510	FANALE DESTRO (BARRA M01883)
#	E15A00002	C50511	FANALE SINISTRO + LUCE TARGA (BARRA M01883)
#	E15A00004	C50513	CATADIOTTRO TRINAGOLARE L=160 ROSSO VITE M5
#	E15A00069	D15343	COPPIA PANNELLI 423X423 BARRA FANALI M08270

GB	FR	D	E
LIGHT	LUMIERE	LICHT	LÁMPARAS
LIGHT	LUMIERE	LICHT	LÁMPARAS
-	-	-	-
PAIR	PAIRE	PAAR	PAREJA/PAR



K00A00972\_01



Radar

Radar

Radar

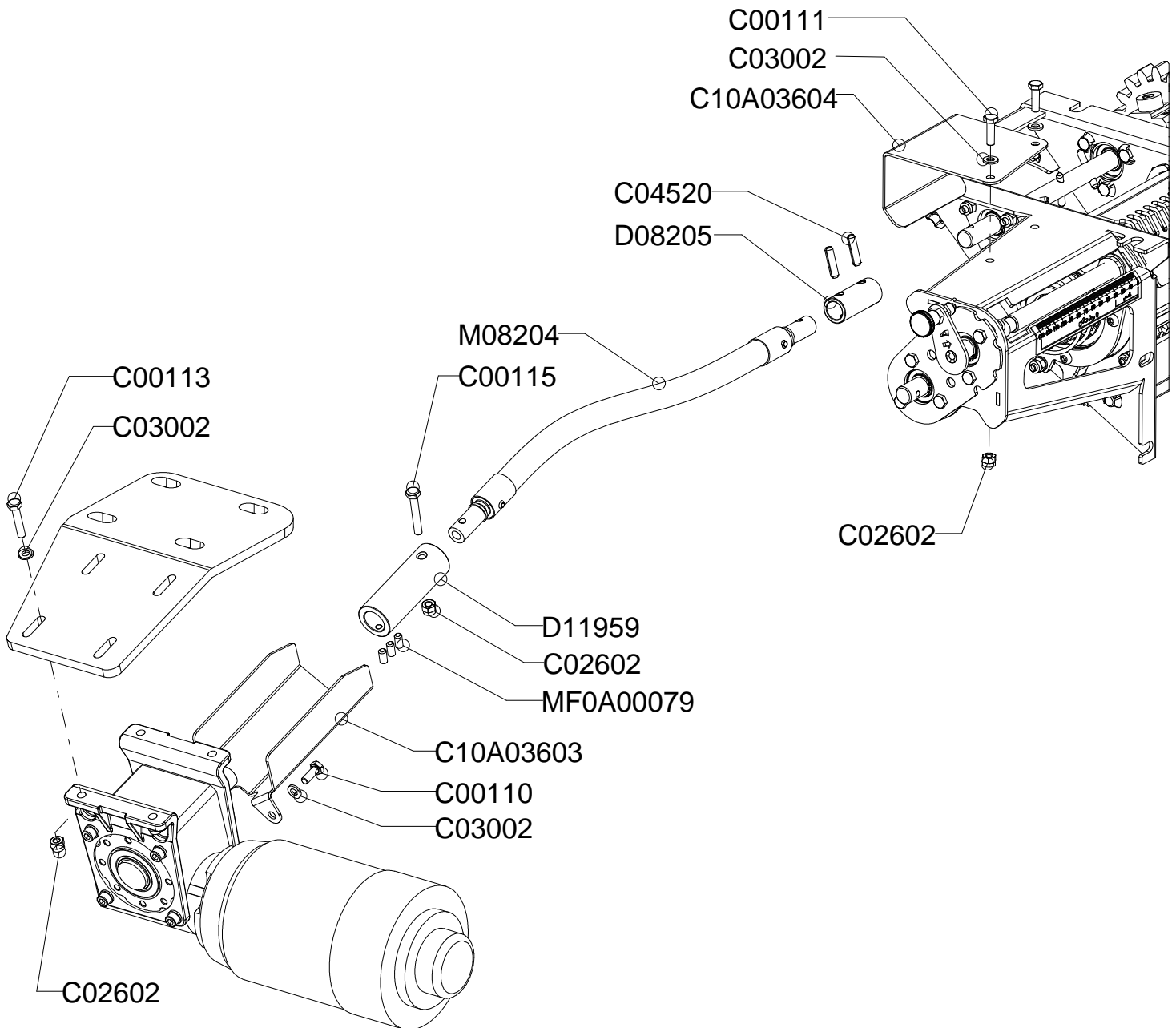
Radar

Drawing Code: **K00A00972\_1**

Accessories:

N°	Code	Old.	Descrizione / Description
#	M80A00035	C00038	VITE TE 88 PG FP M12X100 ZINC UNI 5737
#	M80A00100	C00112	VITE TE 88 PG FT M6X25 ZINC UNI 5739
#	M80A00186	C00237	VITE TE 88 PF FP M16X1,5X90 ZINC UNI 573
#	M85A00073	C02602	DADO AUTOBLOC ALTO 8 M6 H=7.8 UNI 7473
#	M85A00078	C02605	DADO AUTOBLOC ALTO 8 M12 H=14 UNI 7473
#	M85A00080	C02607	DADO AUTOBLOC ALTO 8 M16 H=18 UNI 7473
#	M90A00003	C03002	RONDELLA PIANA D.6,4 DIN125-A ZINC.
#	M90A00008	C03005	RONDELLA PIANA D.13 DIN125-A ZINC.
#	M90A00010	C03007	RONDELLA PIANA D.17 DIN125-A ZINC.
#	MB0A00087	C05004	SPINA A MOLLA D.4
#	C10A03870		LAM SUPPORTO RADAR RDS 2014
#	C15A01133		TUBO QUADRO 50X50X4X1300 SUPP RADAR
#	E10A00053	C50988	RADAR MK3V TGSS 24.125 GHZ RDS
#	M15A00014	D01303	PERNO D.16X200 UT.100 PIEGATO ZINC. ***
#	MD5A00017	D06157	CAVALLOTTO QUADRO M12 T50X50X76
#	C05A05911	D08377	SAG. AGGANCIO MOLLA COPRISEME SP. 8MM
#	C10A02298	D08960	FIANCATA GRANDE RUOTA AS1
#	C05A06106	D08961	SAG. PER D08960 sp8mm

GB	FR	D	E
SCREW	VIS	SCHRAUBE	TORNILLO
SCREW	VIS	SCHRAUBE	TORNILLO
SCREW	VIS	SCHRAUBE	TORNILLO
NUT	BOULONS	NUT	DADO
NUT	BOULONS	NUT	DADO
NUT	BOULONS	NUT	DADO
WASHER	RONDELLE	UNTERLEGSCHLEIBE	ARANDELLA
WASHER	RONDELLE	UNTERLEGSCHLEIBE	ARANDELLA
WASHER	RONDELLE	UNTERLEGSCHLEIBE	ARANDELLA
SOCKET	GOUPILLE	STECKER	PASADOR
METAL PLATE	TOLE	METALL-PLATTE	HOJA DE METAL
TUBE	TUBE	ROHR	TUBO
RADAR	RADAR	RADAR	RADAR
PIN	PIVOT	STIFT	PIN
PIN	CAVALLIER	STIFT	CAVALLOTTI
SHAPED	FORME	VERFORMT	HUECAS
SIDE	LONG	NEBEN	JUNTO
SHAPED	FORME	VERFORMT	HUECAS



K00A00971\_00



## Trasmissione motore elettrico

Transmission electric motor

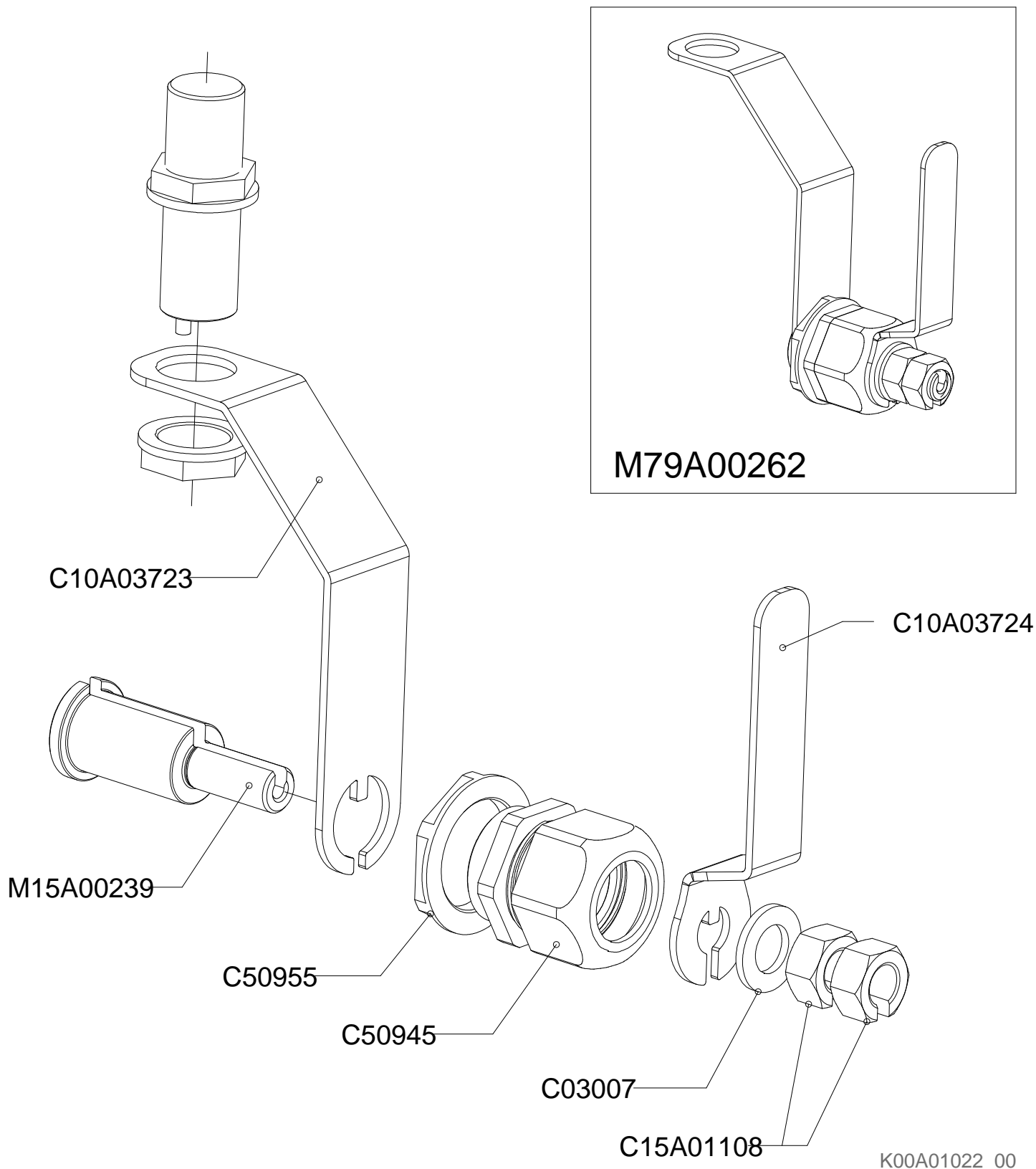
Transmission moteur électrique

Getriebe Elektromotor

Drawing Code: **K00A00971\_0**

Accessories:

N°	Code	Old.	Descrizione / Description	GB	FR	D	E
#	M80A00097	C00110	VITE TE 88 PG FT M6X16 ZINC UNI 5739	SCREW	VIS	SCHRAUBE	TORNILLO
#	M80A00098	C00111	VITE TE 88 PG FT M6X20 ZINC UNI 5739	SCREW	VIS	SCHRAUBE	TORNILLO
#	M80A00102	C00113	VITE TE 88 PG FT M6X30 ZINC UNI 5739	SCREW	VIS	SCHRAUBE	TORNILLO
#	M80A00105	C00115	VITE TE 88 PG FT M6X40 ZINC UNI 5739	SCREW	VIS	SCHRAUBE	TORNILLO
#	M85A00073	C02602	DADO AUTOBLOC ALTO 8 M6 H=7.8 UNI 7473	NUT	BOULONS	NUT	DADO
#	M90A00003	C03002	RONDELLA PIANA D.6,4 DIN125-A ZINC.	WASHER	RONDELLE	UNTERLEGSCHIBE	ARANDELLA
#	MB0A00012	C04520	SPINA ELASTICA D.6X25	SOCKET	GOUPILLE	STECKER	PASADOR
#	C10A03603	D16408	PIEG. CARTER PROTEZ ASSE MOT ELETTRICO AS4	BENT	PLIE	GEBOGEN	PLEGADO
#	C10A03604	D16410	PIEG. CARTER PROTEZ ASSE DOSATORE	BENT	PLIE	GEBOGEN	PLEGADO
#	C15A00488	D08205	MANICOTTO RUOTA S1 D.21,3 D.15 L=50 ***	SLEEVE	MANCHON	MUFFE	MANGA
#	C15A00651	D11959	BUSSOLA MOTORE ELETTRICO AS3	BUSHING	ENTRETOISE	BUCHSE	BRUJULA
#	H75A00064	M08204	GIUNTO TRASM. TUBO FLEX. D15 L=417	JOINT	JOINT	KUPPLUNG	MIXTO
#	MF0A00079	C00907X	GRANO M6X12 INOX UNI 5923	GRAIN	GRAIN	KORN	GRANO







## Sensore di livello regolabile

Level sensor adjustable

Capteur de niveau réglable

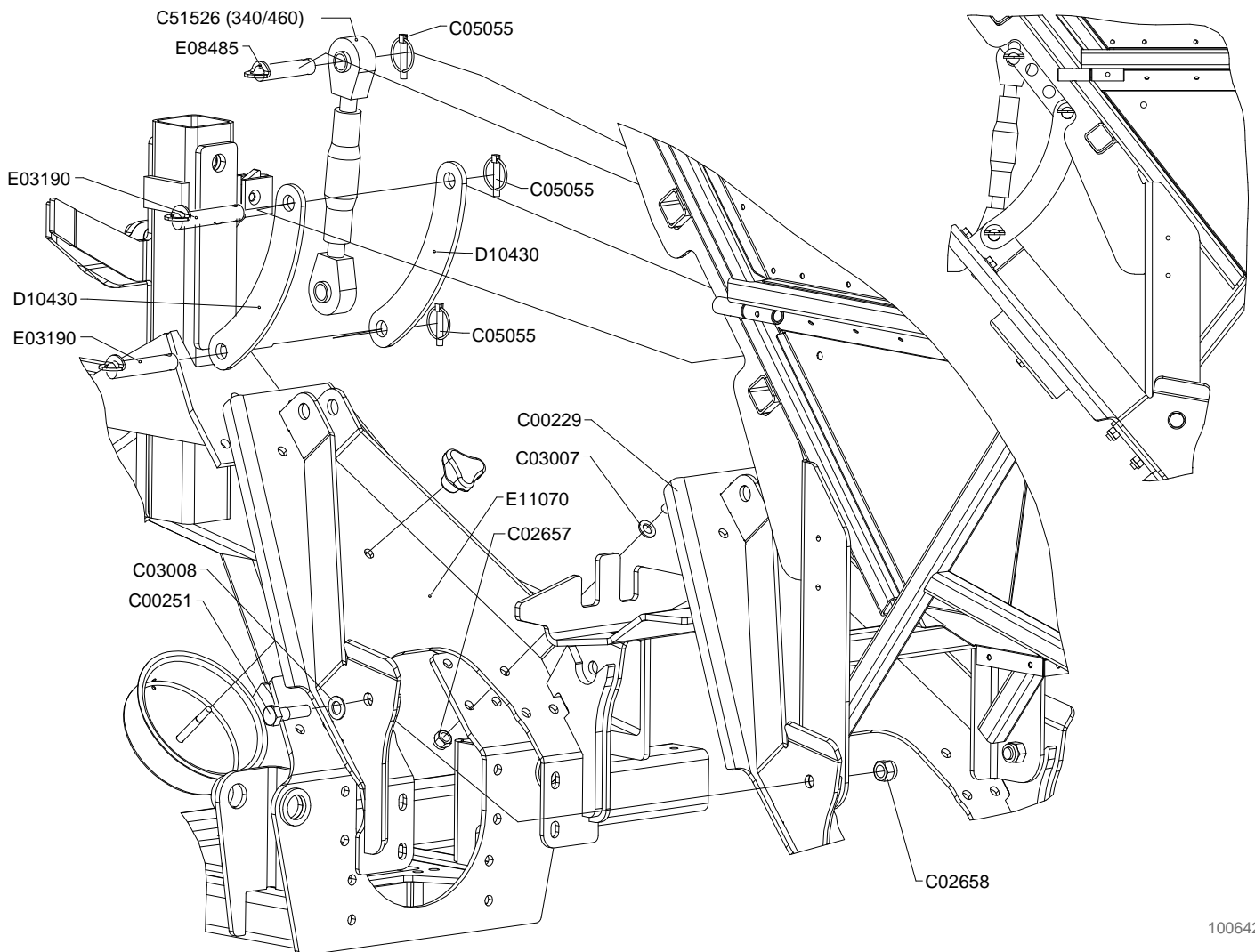
Füllstandssensor einstellbare

Drawing Code: **K00A01022\_0**

Accessories:

N°	Code	Old.	Descrizione / Description
#	M90A00010	C03007	RONDELLA PIANA D.17 DIN125-A ZINC.
#	C10A03723		STAFFA PORTA SENSORE LIVELLO REGOLABILE
#	C10A03724		MANIGLIA REGOLAZIONE SENSORE LIVELLO
#	C15A01108		DADO M16 CON INTAGLIO DI 5MM
#	E00A00021	C50945	PRESSACAVO M40X1.5 IP68 PA6.6 D.19-28
#	E00A00026	C50955	CONTRODADO M40X1.5 PA6.6
#	M15A00239		PERNO SENSORE LIVELLO REGOLABILE
#	M79A00262		SUPPORTO REGOLABILE SENSORE DI LIVELLO

GB	FR	D	E
WASHER	RONDELLE	UNTERLEGSCHIEBE	ARANDELLA
BRACKET	SUPPORT	BUEGEL	SOPORTE
HANDLE	MANILLE	GRIFF	MANGO
NUT	BOULONS	NUT	DADO
STUFFING BOX	PRESETTOUPE	KABELKLEMME	GLÁNDULAS
COUNTERNUT	CONTREBOULONS	GEGENNUT	CONTRA EL DADO
PIN	PIVOT	STIFT	PIN
SUPPORT	SUPPORT	STUTZE	APOYO



100642\_01



**S05093 - Kit attacco AS2/AS3 DM-DF-DG**

S05093 - Coupling AS2/AS3 DM-DF-DG

S05093 - Kit attelage AS2/AS3 DM-DF-DG

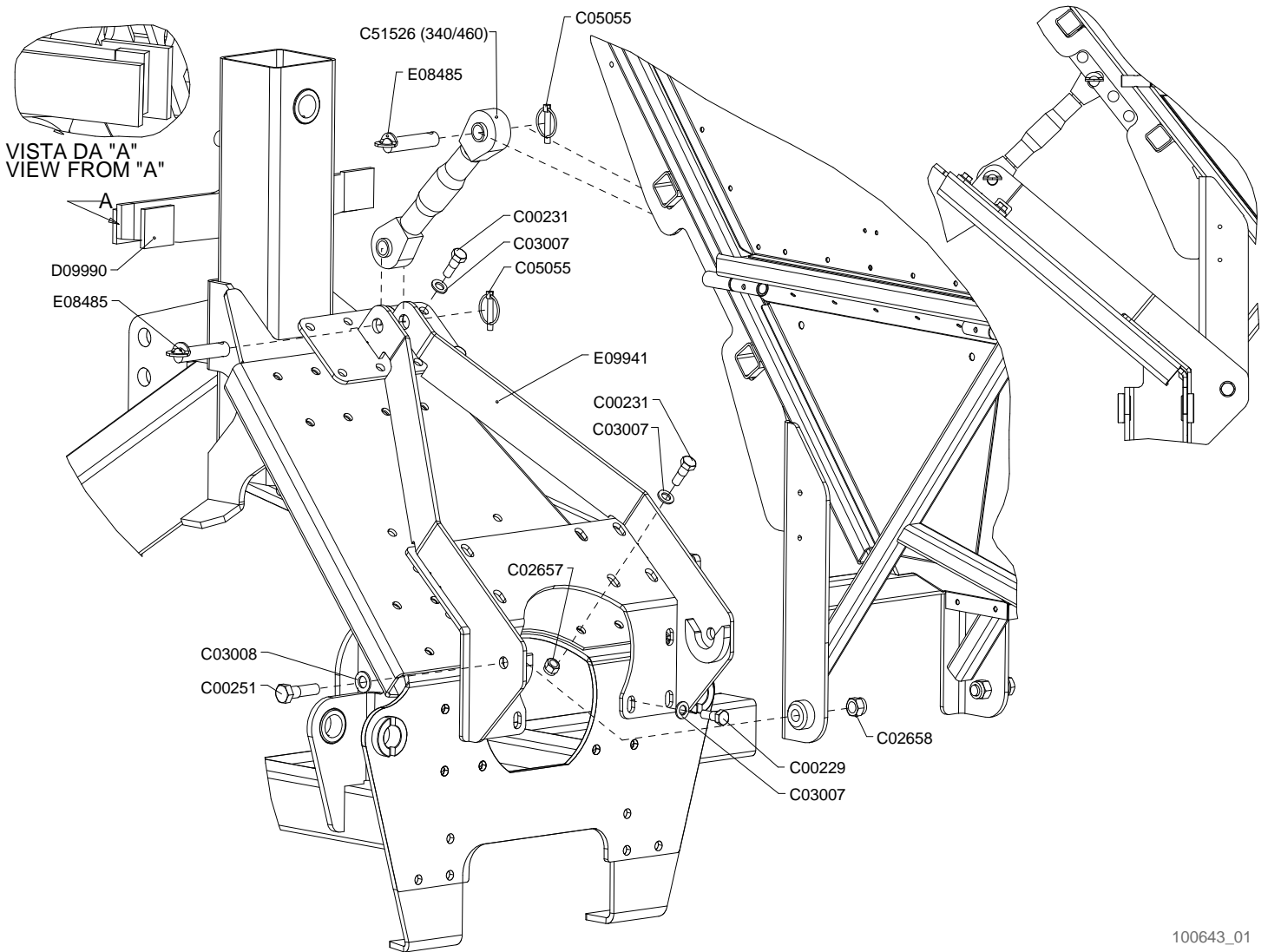
S05093 - Kit hijach fur AS3/AS3 fur DM-DF-DG

Drawing Code: **100642\_1**

Accessories: SZ9A00019

N°	Code	Old.	Descrizione / Description
#	M80A00179	C00229	VITE TE 10.9 M16X1,5X45 ZINC F25
#	M80A00196	C00251	VITE TE 88 PF FP M20X1,5X70 ZINC UNI 573
#	M85A00089	C02657	DADO AUTOBLOC ALTO 8 M16X1,5 H=18 UNI 7473
#	M85A00090	C02658	DADO AUTOBLOC ALTO 8 M20X1,5 H=22 UNI 7473
#	M90A00010	C03007	RONDELLA PIANA D.17 DIN125-A ZINC.
#	M90A00011	C03008	RONDELLA PIANA D.21 DIN125-A ZINC.
#	MB0A00096	C05055	SPINA A SCATTO D.10 CON TIRANTE IN GOMMA
#	ME0A00008	C51526	TIRANTE D.25,4 M27X3 L=340/460
#	C05A06567	D10430	RINFORZO 3?PUNTO TRAMOGGIA DG/
#	M15A00172	E03190	PERNO ROND.25X109 UT.FORO D.12 ZINC***
#	M15A00178	E08485	PERNO ROND.25X85 UT.FORO D.12 ZINC***
#	C20A01839	E11070	SUPPORTO SALDATO AS2/AS3 SU DF/DG/PRE

GB	FR	D	E
SCREW	VIS	SCHRAUBE	TORNILLO
SCREW	VIS	SCHRAUBE	TORNILLO
NUT	BOULONS	NUT	DADO
NUT	BOULONS	NUT	DADO
WASHER	RONDELLE	UNTERLEGSCHIEBE	ARANDELLA
WASHER	RONDELLE	UNTERLEGSCHIEBE	ARANDELLA
SOCKET	GOUPILLE	STECKER	PASADOR
TIE ROD	TIRANT	ZUGSTANGE	TIRANTE
REINFORCEMENT	RENFORT	VERSTAERKUNG	REFUERZO
PIN	PIVOT	STIFT	PIN
PIN	PIVOT	STIFT	PIN
SUPPORT	SUPPORT	STUTZE	APOYO



100643\_01



**Kit attacco AS2/AS3 DX**

Coupling AS2/AS3 DX

Kit attelage AS2/AS3 DX

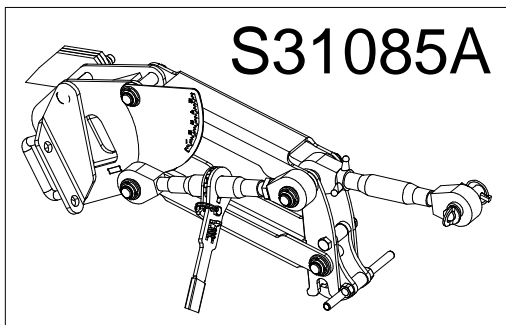
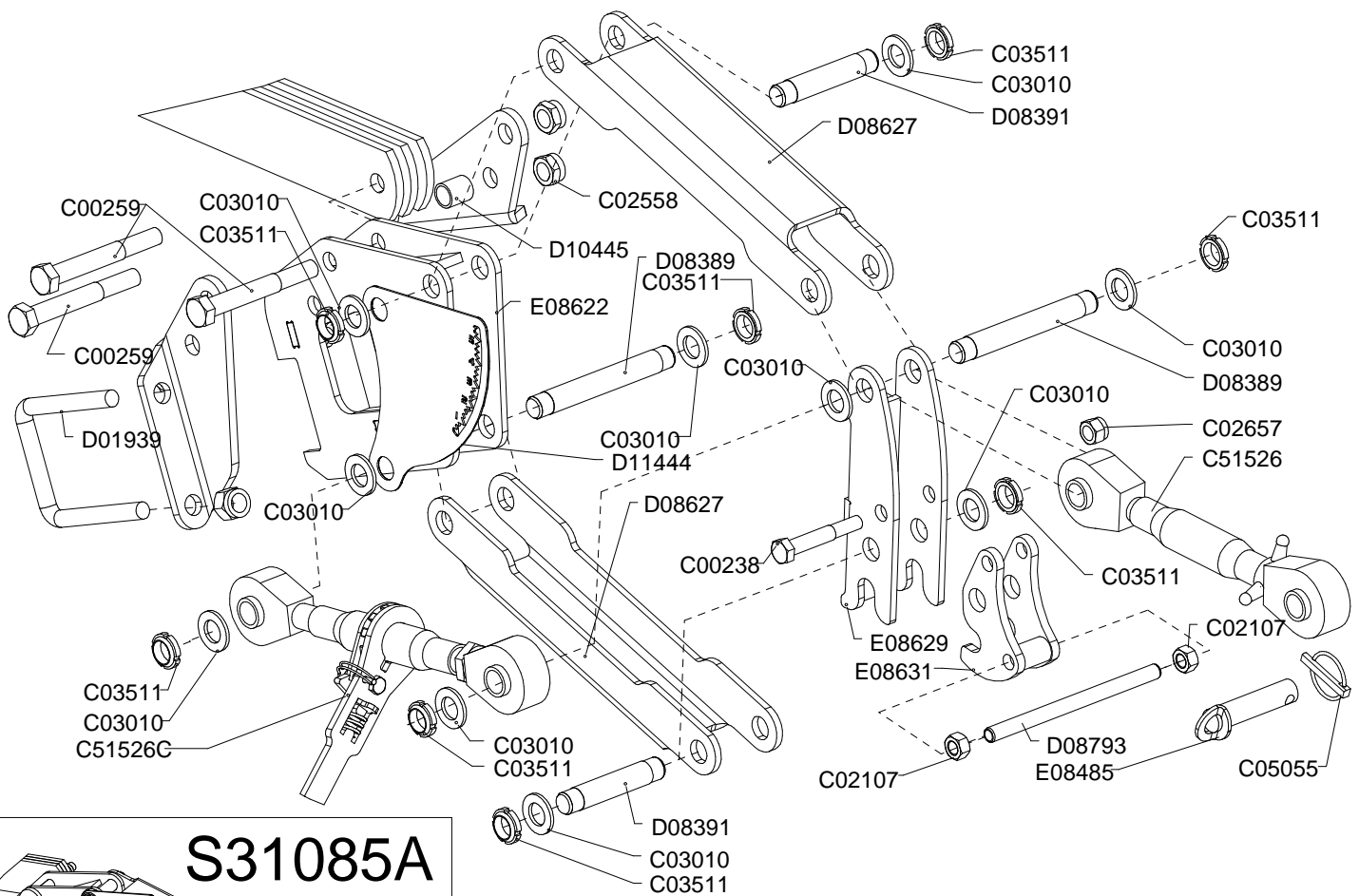
Kit hiych fur AS3/AS3 fur DX

Drawing Code: **100643\_1**

Accessories: S45A00030

N°	Code	Old.	Descrizione / Description
#	M80A00179	C00229	VITE TE 10.9 M16X1,5X45 ZINC F25
#	M80A00180	C00231	VITE TE 88 PF FP M16X1,5X50 ZINC UNI 5738
#	M80A00196	C00251	VITE TE 88 PF FP M20X1,5X70 ZINC UNI 573
#	M85A00089	C02657	DADO AUTOBLOC ALTO 8 M16X1,5 H=18 UNI 7473
#	M85A00090	C02658	DADO AUTOBLOC ALTO 8 M20X1,5 H=22 UNI 7473
#	M90A00010	C03007	RONDELLA PIANA D.17 DIN125-A ZINC.
#	M90A00011	C03008	RONDELLA PIANA D.21 DIN125-A ZINC.
#	MB0A00096	C05055	SPINA A SCATTO D.10 CON TIRANTE IN GOMMA
#	ME0A00008	C51526	TIRANTE D.25,4 M27X3 L=340/460
#	C00A00392	D09990	PIATTO 70X10X70
#	M15A00178	E08485	PERNO ROND.25X85 UT.FORO D.12 ZINC***
#	C20A01701	E09941	SUPPORTO SALDATO AS2/AS3 SU DX

GB	FR	D	E
SCREW	VIS	SCHRAUBE	TORNILLO
SCREW	VIS	SCHRAUBE	TORNILLO
SCREW	VIS	SCHRAUBE	TORNILLO
NUT	BOULONS	NUT	DADO
NUT	BOULONS	NUT	DADO
WASHER	RONDELLE	UNTERLEGSCHLEIBE	ARANDELLA
WASHER	RONDELLE	UNTERLEGSCHLEIBE	ARANDELLA
SOCKET	GOUPILLE	STECKER	PASADOR
TIE ROD	TIRANT	ZUGSTANGE	TIRANTE
METAL STRAP	METAL DEPLOYE	BANDEISEN	PLATILLO
PIN	PIVOT	STIFT	PIN
SUPPORT	SUPPORT	STUTZE	APOYO



100542\_05



# Kit attacco rapido barra AS1 su PK4

Kit linkage Sowing Bar

Kit attelage Barre De Semer

Schnellkuppeldreieck Barre Fur Drill

Drawing Code:

**100542\_5**

Accessories:

S45A00060

N°	Code	Old.	Descrizione / Description	GB	FR	D	E
#	M80A00187	C00238	VITE TE 88 PF FP M16X1,5X100 ZINC UNI 57	SCREW	VIS	SCHRAUBE	TORNILLO
#	M80A00203	C00259	VITE TE 88 PF FP M20X1,5X160 ZINC UNI 57	SCREW	VIS	SCHRAUBE	TORNILLO
#	M85A00030	C02107	DADO NORMALE 8 PG M16 UNI 5588 ZINC	NUT	BOULONS	NUT	DADO
#	M85A00066	C02558	DADO AUTOBLOC BASSO 8 PF M20X1,5 H=20 UNI 7474	NUT	BOULONS	NUT	DADO
#	M85A00089	C02657	DADO AUTOBLOC ALTO 8 M16X1,5 H=18 UNI 7473	NUT	BOULONS	NUT	DADO
#	M90A00013	C03010	RONDELLA PIANA D.25 DIN125-A ZINC.	WASHER	RONDELLE	UNTERLEGSCHLEIBE	ARANDELLA
#	M95A00002	C03511	GHIERA AUTOBLOC.BASSA GUK M25X1,5	METAL RING	RONDELLE	METALL-RING	RUEDA
#	MB0A00096	C05055	SPINA A SCATTO D.10 CON TIRANTE IN GOMMA	SOCKET	GOUPILLE	STECKER	PASADOR
#	ME0A00008	C51526	TIRANTE D.25,4 M27X3 L=340/460	TIE ROD	TIRANT	ZUGSTANGE	TIRANTE
#	ME0A00009	C51526C	TIRANTE CRICCO D.25,4 M27X3 L=340/460	TIE ROD	TIRANT	ZUGSTANGE	TIRANTE
#	MD5A00005	D01939	CAVALLOTTO QUADRO M20X100X145	PIN	CAVALLIER	STIFT	CAVALLOTTI
#	M15A00100	D08389	PERNO D.25X152 UT. ESTR. M25X1,5 ZINC.	PIN	PIVOT	STIFT	PIN
#	M15A00101	D08391	PERNO D.25X96 UT. ESTR. M25X1,5 ZINC.	PIN	PIVOT	STIFT	PIN
#	C10A02231	D08627	BRACCIO SUPPORTO BARRA SEMINA AS1/2/3	ARM	BRAS	ARM	BRAZO
#	MF0A00044	D08793	BARRA FILETTATA M16 L=238 ZINCATA ***	BAR	BARRE	STAB	BARRA
#	C00A00411	D10445	DIST. D.26,9 d.21,7 L.30 zinc	SPACER	ENTRETOISE	ABSTANDSTUECK	ESPACIADORES
#	C05A06771	D11444	SAG. REGOLAZ. PARALLELOGR. 2MM ZINC.	SHAPED	FORME	VERFORMT	HUECAS
#	M15A00178	E08485	PERNO ROND.25X85 UT.FORO D.12 ZINC***	PIN	PIVOT	STIFT	PIN
#	C20A01489	E08622	SUPPORTO SALD. BARRA SEMINA AS1	SUPPORT	SUPPORT	STUTZE	APOYO
#	C20A01490	E08629	BRACCIO SALD. SUPP. BARRA SEMINA AS1	ARM	BRAS	ARM	BRAZO
#	C20A01492	E08631	GANCIO SALD. SUPP. BARRA SEMINA AS1	HOOK	ATTACHE	HAKEN	ENGANCHE
#	S45A00060	S31085A	KIT ATT.RAPID BARRA SEMINA SU RULLO SERIE 4/5	KIT	KIT	KIT	KIT



**Kit attacco rapido barra molleggiato**

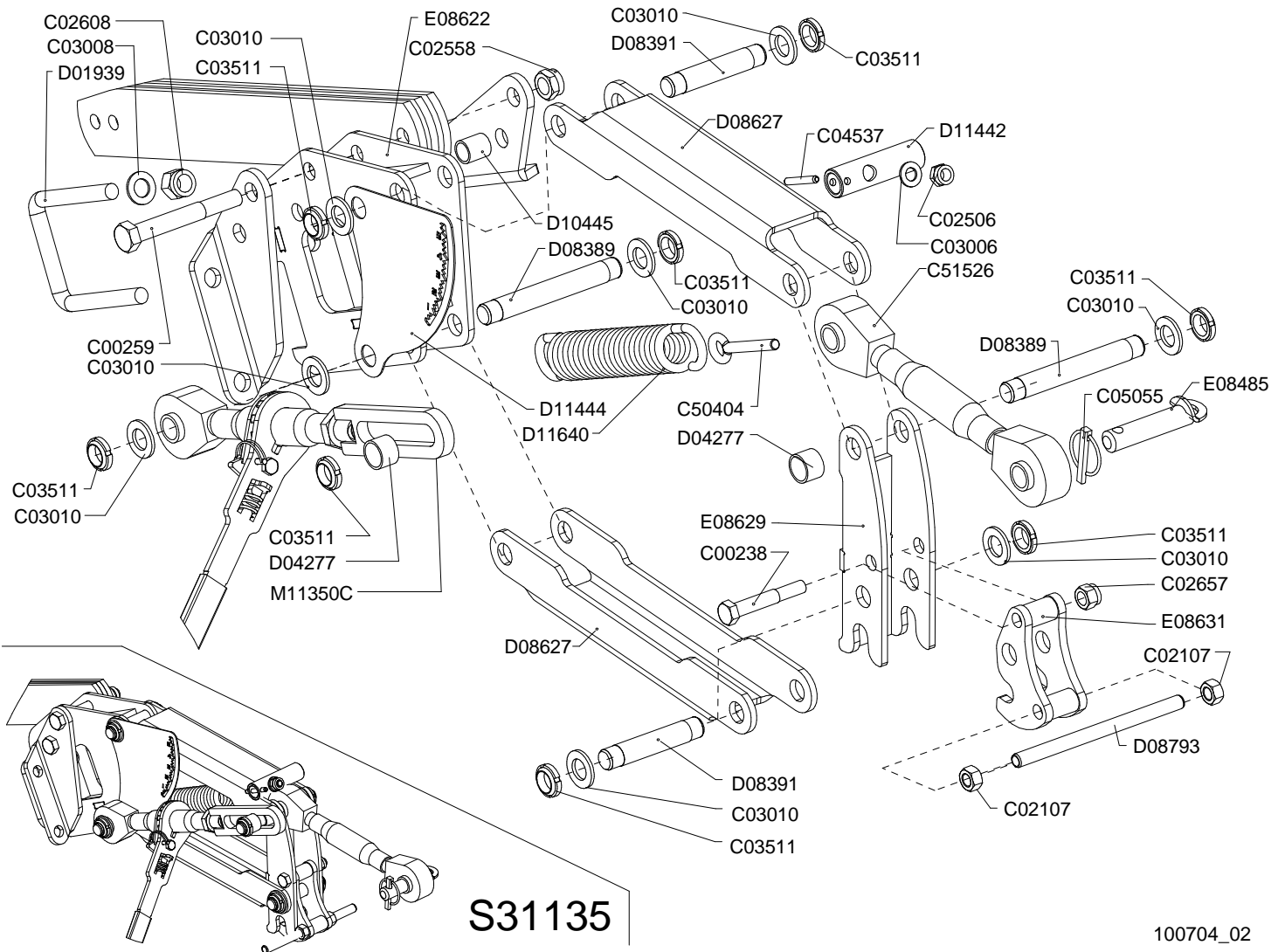
Kit linkage Sowing Bar flexible

Kit attelage Barre De Semer elastique

Schnellkuppeldreieck Barre Fur Drill flexibel

Drawing Code: **100704\_2**

Accessories: S45A00064





**Kit attacco rapido barra molleggiato**  
 Kit linkage Sowing Bar flexible  
 Kit attelage Barre De Semer elastique  
 Schnellkuppeldreieck Barre Fur Drill flexibel

Drawing Code: **100704\_2**

Accessories: S45A00064

N°	Code	Old.	Descrizione / Description	GB	FR	D	E
#	M80A00187	C00238	VITE TE 88 PF FP M16X1,5X100 ZINC UNI 57	SCREW	VIS	SCHRAUBE	TORNILLO
#	M80A00203	C00259	VITE TE 88 PF FP M20X1,5X160 ZINC UNI 57	SCREW	VIS	SCHRAUBE	TORNILLO
#	M85A00030	C02107	DADO NORMALE 8 PG M16 UNI 5588 ZINC	NUT	BOULONS	NUT	DADO
#	M85A00059	C02506	DADO AUTOBLOC BASSO 8 PG M14 H=14 UNI 7474	NUT	BOULONS	NUT	DADO
#	M85A00066	C02558	DADO AUTOBLOC BASSO 8 PF M20X1,5 H=20 UNI 7474	NUT	BOULONS	NUT	DADO
#	M85A00081	C02608	DADO AUTOBLOC ALTO 8 M20 H=22 UNI 7473	NUT	BOULONS	NUT	DADO
#	M85A00089	C02657	DADO AUTOBLOC ALTO 8 M16X1,5 H=18 UNI 7473	NUT	BOULONS	NUT	DADO
#	M90A00009	C03006	RONDELLA PIANA D.15 DIN125-A ZINC.	WASHER	RONDELLE	UNTERLEGSCHIEBE	ARANDELLA
#	M90A00011	C03008	RONDELLA PIANA D.21 DIN125-A ZINC.	WASHER	RONDELLE	UNTERLEGSCHIEBE	ARANDELLA
#	M90A00013	C03010	RONDELLA PIANA D.25 DIN125-A ZINC.	WASHER	RONDELLE	UNTERLEGSCHIEBE	ARANDELLA
#	M95A00002	C03511	GHIERA AUTOBLOC.BASSA GUK M25X1,5	METAL RING	RONDELLE	METALL-RING	RUEDA
#	MB0A00025	C04537	SPINA ELASTICA D.8X60	SOCKET	GOUPILLE	STECKER	PASADOR
#	MB0A00096	C05055	SPINA A SCATTO D.10 CON TIRANTE IN GOMMA	SOCKET	GOUPILLE	STECKER	PASADOR
#	ME0A00002	C50404	TIRANTE AD OCCHIO DESTRO M14 FORO D.18	TIE ROD	TIRANT	ZUGSTANGE	TIRANTE
#	ME0A00008	C51526	TIRANTE D.25,4 M27X3 L=340/460	TIE ROD	TIRANT	ZUGSTANGE	TIRANTE
#	MD5A00005	D01939	CAVALLOTTO QUADRO M20X100X145	PIN	CAVALLIER	STIFT	CAVALLOTTI
#	C00A00159	D04277	DIST. D.33,7 D.25,5 L.25	SPACER	ENTRETOISE	ABSTANDSTUECK	ESPACIADORES
#	M15A00100	D08389	PERNO D.25X152 UT. ESTR. M25X1,5 ZINC.	PIN	PIVOT	STIFT	PIN
#	M15A00101	D08391	PERNO D.25X96 UT. ESTR. M25X1,5 ZINC.	PIN	PIVOT	STIFT	PIN
#	C10A02231	D08627	BRACCIO SUPPORTO BARRA SEMINA AS1/2/3	ARM	BRAS	ARM	BRAZO
#	MF0A00044	D08793	BARRA FILETTATA M16 L=238 ZINCATA ***	BAR	BARRE	STAB	BARRA
#	C00A00411	D10445	DIST. D.26,9 d.21,7 L.30 zinc	SPACER	ENTRETOISE	ABSTANDSTUECK	ESPACIADORES
#	C15A00629	D11442	TONDO TENDITORE MOLLA S31135	ROUND	RONDELLE	RUND	RONDA
#	C05A06771	D11444	SAG. REGOLAZ. PARALLELOGR. 2MM ZINC.	SHAPED	FORME	VERFORMT	HUECAS
#	MF5A00040	D11640	MOLLA TRAZIONE D=10 DE=55 L=325	SPRING	RESSORT	FEDER	MUELLE
#	M15A00178	E08485	PERNO ROND.25X85 UT.FORO D.12 ZINC***	PIN	PIVOT	STIFT	PIN
#	C20A01489	E08622	SUPPORTO SALD. BARRA SEMINA AS1	SUPPORT	SUPPORT	STUTZE	APOYO
#	C20A01490	E08629	BRACCIO SALD. SUPP. BARRA SEMINA AS1	ARM	BRAS	ARM	BRAZO
#	C20A01492	E08631	GANCIO SALD. SUPP. BARRA SEMINA AS1	HOOK	ATTACHE	HAKEN	ENGANCHE
#	ME0A00020	M11350C	TIRANTE CRICCO 340/460 CON ASOLA D.26X120	TIE ROD	TIRANT	ZUGSTANGE	TIRANTE
#	S45A00064	S31135	KIT ATT.RAPID BARRA AS1/2/3 MOLLEGGIATO	KIT	KIT	KIT	KIT

**Kit attacco rapido hydro**

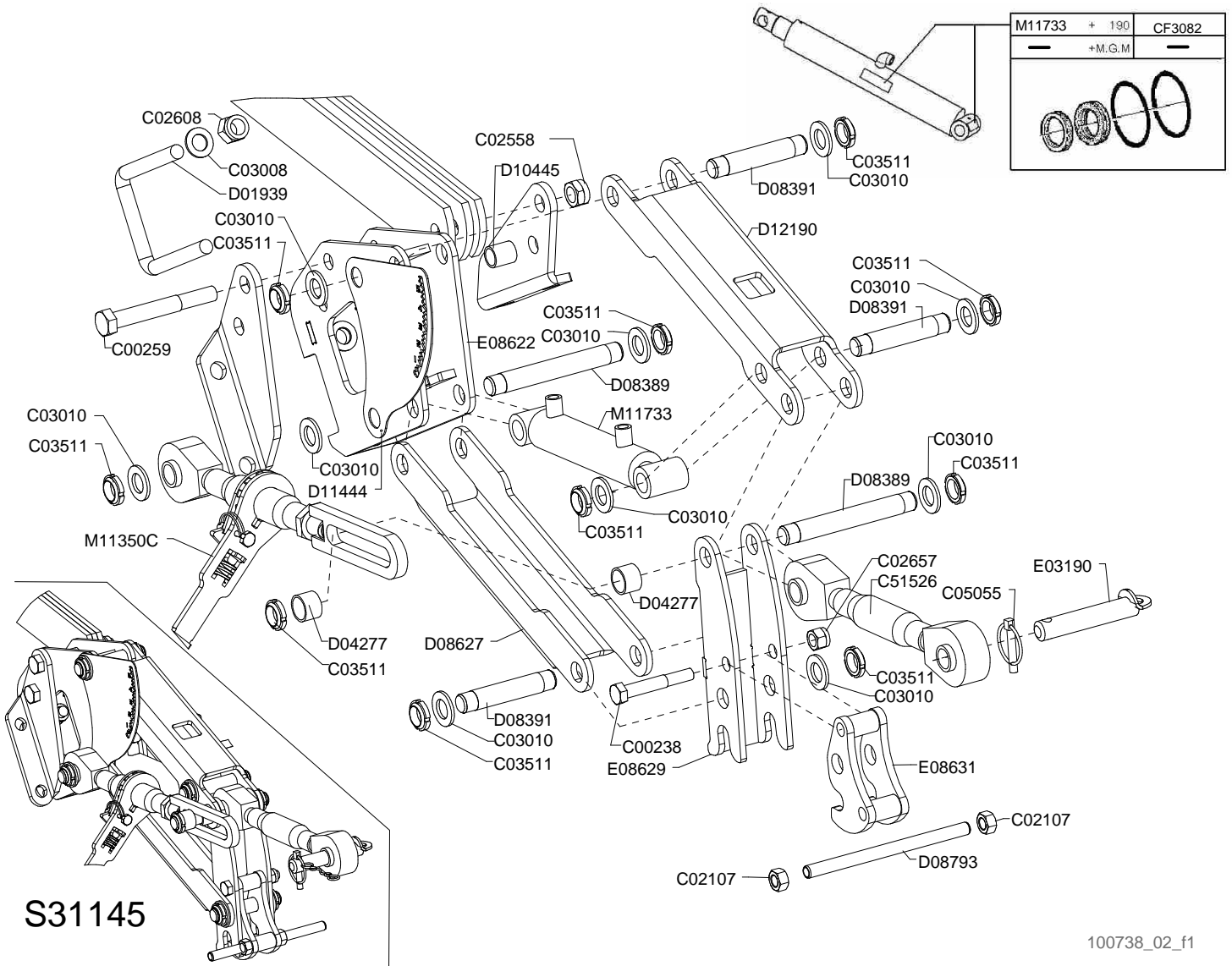
Kit linkage sowing bar hydraulic

Kit attelage barre de semer hydraulique

Schnellkuppeldreieck barre für drill hydraulischer

Drawing Code: **100738\_2\_f1**

Accessories: S45A00067





## Kit attacco rapido hydro

Kit linkage sowing bar hydraulic

Kit attelage barre de semer hydraulique

Schnellkuppeldreieck barre fur drill hydraulischer

Drawing Code: **100738\_2\_f1**

Accessories: S45A00067

N°	Code	Old.	Descrizione / Description	GB	FR	D	E
#	M80A00187	C00238	VITE TE 88 PF FP M16X1,5X100 ZINC UNI 57	SCREW	VIS	SCHRAUBE	TORNILLO
#	M80A00203	C00259	VITE TE 88 PF FP M20X1,5X160 ZINC UNI 57	SCREW	VIS	SCHRAUBE	TORNILLO
#	M85A00030	C02107	DADO NORMALE 8 PG M16 UNI 5588 ZINC	NUT	BOULONS	NUT	DADO
#	M85A00066	C02558	DADO AUTOBLOC BASSO 8 PF M20X1,5 H=20 UNI 7474	NUT	BOULONS	NUT	DADO
#	M85A00081	C02608	DADO AUTOBLOC ALTO 8 M20 H=22 UNI 7473	NUT	BOULONS	NUT	DADO
#	M85A00089	C02657	DADO AUTOBLOC ALTO 8 M16X1,5 H=18 UNI 7473	NUT	BOULONS	NUT	DADO
#	M90A00011	C03008	RONDELLA PIANA D.21 DIN125-A ZINC.	WASHER	RONDELLE	UNTERLEGSCHIEBE	ARANDELLA
#	M90A00013	C03010	RONDELLA PIANA D.25 DIN125-A ZINC.	WASHER	RONDELLE	UNTERLEGSCHIEBE	ARANDELLA
#	M95A00002	C03511	GHIERA AUTOBLOC.BASSA GUK M25X1,5	METAL RING	RONDELLE	METALL-RING	RUEDA
#	MB0A00096	C05055	SPINA A SCATTO D.10 CON TIRANTE IN GOMMA	SOCKET	GOUPILLE	STECKER	PASADOR
#	ME0A00008	C51526	TIRANTE D.25,4 M27X3 L=340/460	TIE ROD	TIRANT	ZUGSTANGE	TIRANTE
#	MD5A00005	D01939	CAVALLOTTO QUADRO M20X100X145	PIN	CAVALLIER	STIFT	CAVALLOTTI
#	C00A00159	D04277	DIST. D.33,7 D.25,5 L.25	SPACER	ENTRETOISE	ABSTANDSTUECK	ESPACIADORES
#	M15A00100	D08389	PERNO D.25X152 UT. ESTR. M25X1,5 ZINC.	PIN	PIVOT	STIFT	PIN
#	M15A00101	D08391	PERNO D.25X96 UT. ESTR. M25X1,5 ZINC.	PIN	PIVOT	STIFT	PIN
#	C10A02231	D08627	BRACCIO SUPPORTO BARRA SEMINA AS1/2/3	ARM	BRAS	ARM	BRAZO
#	MF0A00044	D08793	BARRA FILETTATA M16 L=238 ZINCATA ***	BAR	BARRE	STAB	BARRA
#	C00A00411	D10445	DIST. D.26,9 d.21,7 L.30 zinc	SPACER	ENTRETOISE	ABSTANDSTUECK	ESPACIADORES
#	C05A06771	D11444	SAG. REGOLAZ. PARALLELOGR. 2MM ZINC.	SHAPED	FORME	VERFORMT	HUECAS
#	C10A02829	D12190	BRACCIO SUPERIOR KIT ATT.AMMORT. IDRO	ARM	BRAS	ARM	BRAZO
#	M15A00172	E03190	PERNO ROND.25X109 UT.FORO D.12 ZINC***	PIN	PIVOT	STIFT	PIN
#	C20A01489	E08622	SUPPORTO SALD. BARRA SEMINA AS1	SUPPORT	SUPPORT	STUTZE	APOYO
#	C20A01490	E08629	BRACCIO SALD. SUPP. BARRA SEMINA AS1	ARM	BRAS	ARM	BRAZO
#	C20A01492	E08631	GANCIO SALD. SUPP. BARRA SEMINA AS1	HOOK	ATTACHE	HAKEN	ENGANCHE
#	ME0A00020	M11350C	TIRANTE CRICCO 340/460 CON ASOLA D.26X120	TIE ROD	TIRANT	ZUGSTANGE	TIRANTE
#	H80A00040	M11733	CILINDRO D.50 C.120 S.25	CYLINDER	CYLINDRE	ZYLINDER	CILÍNDRICA
#	S45A00067	S31145	KIT ATT.RAPID BARRA AS2/3 AMMORTIZZATO HIDRO	KIT	KIT	KIT	KIT

**Kit attacco rapido hydro**

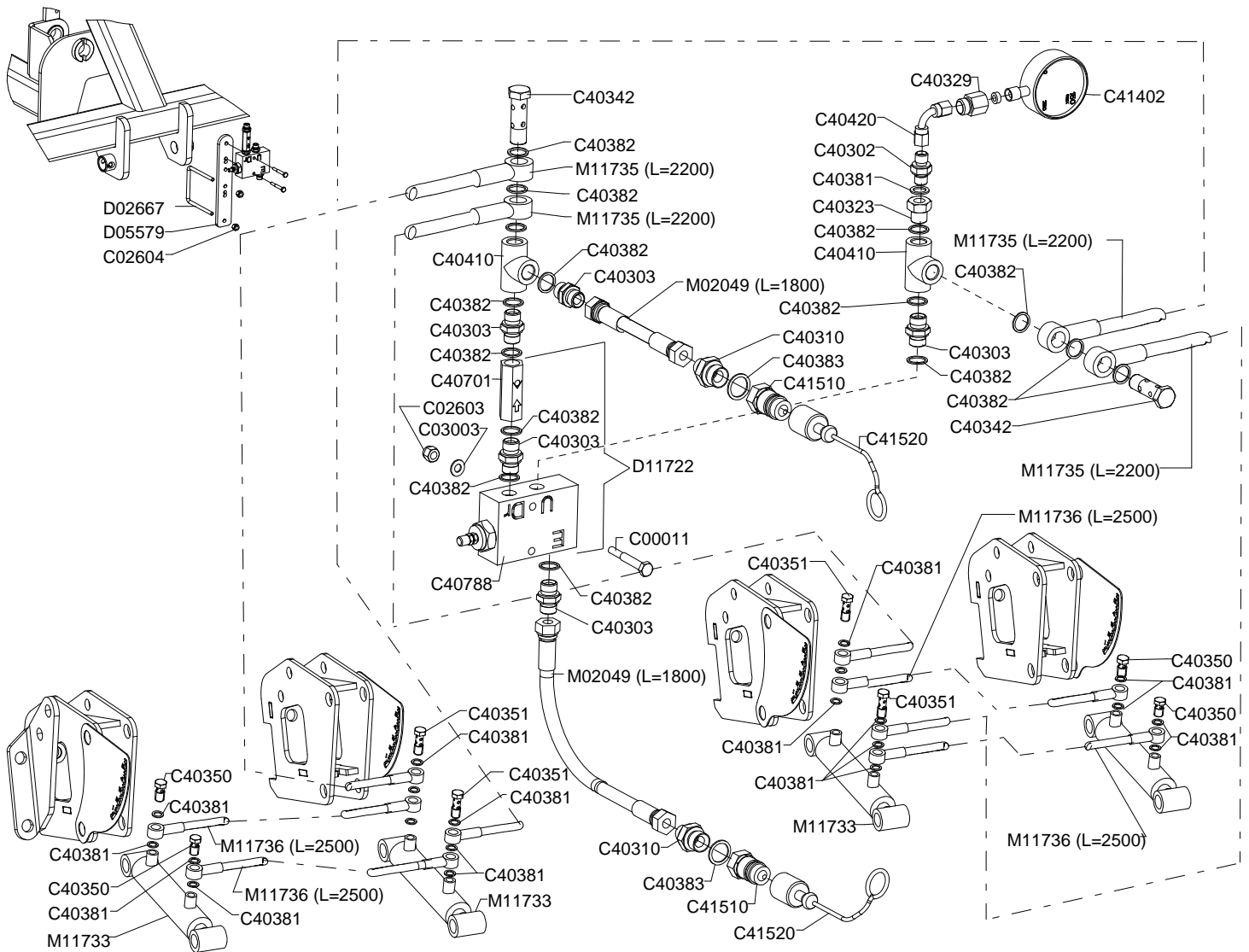
Kit linkage sowing bar hydraulic

Kit attelage barre de semer hydraulique

Schnellkuppeldreieck barre für drill hydraulischer

Drawing Code: **100738\_1\_f2**

Accessories: S45A00067



100738\_01\_f2



## Kit attacco rapido hydro

Kit linkage sowing bar hydraulic

Kit attelage barre de semer hydraulique

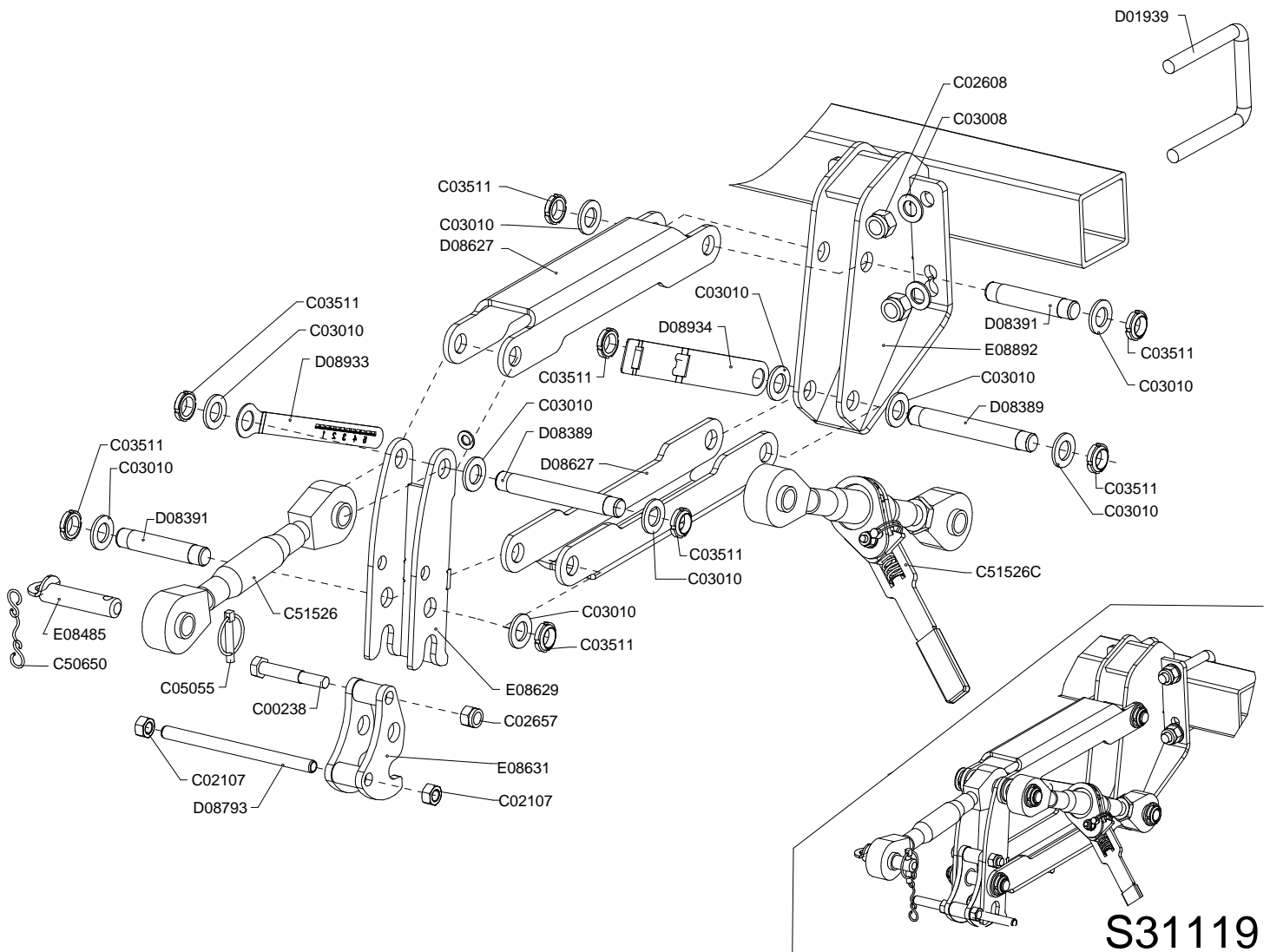
Schnellkuppeldreieck barre fur drill hydraulischer

Drawing Code: **100738\_1\_f2**

Accessories: S45A00067

N°	Code	Old.	Descrizione / Description	GB	FR	D	E
#	M80A00008	C00011	VITE TE 88 PG FP M8X60 ZINC UNI 5737	SCREW	VIS	SCHRAUBE	TORNILLO
#	M85A00075	C02603	DADO AUTOBLOC ALTO 8 M8 H=10.6 UNI 7473	NUT	BOULONS	NUT	DADO
#	M85A00077	C02604	DADO AUTOBLOC ALTO 8 M10 H=11.5 UNI 7473	NUT	BOULONS	NUT	DADO
#	M90A00005	C03003	RONDELLA PIANA D.8,4 DIN125-A ZINC.	WASHER	RONDELLE	UNTERLEGSCHIEBE	ARANDELLA
#	H35A00002	C40302	NIPLES 1/4 1/4	NIPLES	NIPLES	NIPLES	NIPLES
#	H35A00003	C40303	NIPLES 3/8 3/8	NIPLES	NIPLES	NIPLES	NIPLES
#	H35A00010	C40310	NIPLES RIDUZ.1/2 3/8	NIPLES	NIPLES	NIPLES	NIPLES
#	H35A00023	C40323	RIDUZIONE M 3/8 F 1/4	REDUCTION	REDUCTION	UNTERSETZUNG	REDUCCIÓN
#	H35A00028	C40329	PROLUNGA M 1/4 -F 1/4 X 20 L.TOT=31	EXTENSION	EXTENSION	VERLAENGERUNG	EXTENSIÓN
#	H40A00003	C40342	VITE FORATA DOPPIA 3/8X49	SCREW	VIS	SCHRAUBE	TORNILLO
#	H40A00010	C40350	VITE FORATA 1/4X26	SCREW	VIS	SCHRAUBE	TORNILLO
#	H40A00011	C40351	VITE FORATA DOPPIA 1/4X39	SCREW	VIS	SCHRAUBE	TORNILLO
#	H35A00041	C40381	RONDELLA RAME 1/4 D.13.5	WASHER	RONDELLE	UNTERLEGSCHIEBE	ARANDELLA
#	H35A00042	C40382	RONDELLA RAME 3/8 D.17	WASHER	RONDELLE	UNTERLEGSCHIEBE	ARANDELLA
#	H35A00043	C40383	RONDELLA RAME 1/2 D.21	WASHER	RONDELLE	UNTERLEGSCHIEBE	ARANDELLA
#	H35A00064	C40410	"ADATTATORE ""T"" FEMMINA 3/8"	ADAPTER	ADAPTATEUR	ADAPTER	ADAPTADOR
#	H35A00074	C40420	CURVA 90°FF 1/4 GIRELLO	CURVE	COURBE	BOGEN	CURVO
#	H70A00001	C40701	VALVOLA UNIDIREZ. 3/8	VALVE	SOUPAPE	VENTIL	VALVULA
#	H70A00038	C40788	VALVOLA RIDUTTRICE PRESSIONE VRPRL 3/8 TV S	VALVE	SOUPAPE	VENTIL	VALVULA
#	HA5A00002	C41402	"MANOMETRO GLIC. SCALA 0-250 P.R. 1/4"" GAS +PROLUNGA"	GAUGE	JAUGE	DRUCKANZEIGER	MANOMETRO
#	H50A00005	C41510	INNESTO RAPIDO MASCHIO ATT.1/2 F NV	COUPLING	ACCOUPEMENT	KUPPLUNG	COMPROMISO
#	G10A00002	C41520	TAPPO PROT.INNESTO RAPIDO 1/2 MASCHIO BLU	PLUG	BOUCHON	STOEPSSEL	ENCHUFE
#	MD5A00009	D02667	CAVALLOTTO QUADRO M10X100	PIN	CAVALLIER	STIFT	CAVALLOTTI
#	C05A04921	D05579	SAG. PROT. ANTER. LD-LE-DH 10MM	SHAPED	FORME	VERFORMT	HUECAS
#	H70A00059	D11722	VALVOLA CONTROLLO PRESSIONE SEMINA	VALVE	SOUPAPE	VENTIL	VALVULA
#	H75A00004	M02049	"TUBO IDR FD3/8""-R1AT 1/4X1800-FD3/8""	TUBE	TUBE	ROHR	TUBO
#	H80A00040	M11733	CILINDRO D.50 C.120 S.25	CYLINDER	CYLINDRE	ZYLINDER	CILÍNDRICA
#	H75A00093	M11735	"TUBO IDR OH 1/4""-R1AT 1/4""X2200-OH 3/8""	TUBE	TUBE	ROHR	TUBO
#	H75A00094	M11736	"TUBO IDR OH 1/4""-R1AT 1/4""X2500-OH 1/4""	TUBE	TUBE	ROHR	TUBO





( FILE NAME:100578\_2)

100743\_01





## Kit attacco rapido per carrello

Kit linkage for truck

Kit attelage pour chariot

Schnellkuppeldreieck für wagen

Drawing Code: **100743\_1**

Accessories: S45A00062

N°	Code	Old.	Descrizione / Description	GB	FR	D	E
#	M80A00187	C00238	VITE TE 88 PF FP M16X1,5X100 ZINC UNI 57	SCREW	VIS	SCHRAUBE	TORNILLO
#	M85A00030	C02107	DADO NORMALE 8 PG M16 UNI 5588 ZINC	NUT	BOULONS	NUT	DADO
#	M85A00081	C02608	DADO AUTOBLOC ALTO 8 M20 H=22 UNI 7473	NUT	BOULONS	NUT	DADO
#	M85A00089	C02657	DADO AUTOBLOC ALTO 8 M16X1,5 H=18 UNI 7473	NUT	BOULONS	NUT	DADO
#	M90A00011	C03008	RONDELLA PIANA D.21 DIN125-A ZINC.	WASHER	RONDELLE	UNTERLEGSCHLEIBE	ARANDELLA
#	M90A00013	C03010	RONDELLA PIANA D.25 DIN125-A ZINC.	WASHER	RONDELLE	UNTERLEGSCHLEIBE	ARANDELLA
#	M95A00002	C03511	GHIERA AUTOBLOC.BASSA GUK M25X1,5	METAL RING	RONDELLE	METALL-RING	RUEDA
#	MB0A00096	C05055	SPINA A SCATTO D.10 CON TIRANTE IN GOMMA	SOCKET	GOUPILLE	STECKER	PASADOR
#	M79A00002	C50650	GOMMINO CON ANELLI L.240 MM.	RUBBER	CAOUTCHOUC	BELAG	GOMAS
#	ME0A00008	C51526	TIRANTE D.25,4 M27X3 L=340/460	TIE ROD	TIRANT	ZUGSTANGE	TIRANTE
#	ME0A00009	C51526C	TIRANTE CRICCO D.25,4 M27X3 L=340/460	TIE ROD	TIRANT	ZUGSTANGE	TIRANTE
#	MD5A00005	D01939	CAVALLOTTO QUADRO M20X100X145	PIN	CAVALLIER	STIFT	CAVALLOTTI
#	M15A00100	D08389	PERNO D.25X152 UT. ESTR. M25X1,5 ZINC.	PIN	PIVOT	STIFT	PIN
#	M15A00101	D08391	PERNO D.25X96 UT. ESTR. M25X1,5 ZINC.	PIN	PIVOT	STIFT	PIN
#	C10A02231	D08627	BRACCIO SUPPORTO BARRA SEMINA AS1/2/3	ARM	BRAS	ARM	BRAZO
#	MF0A00044	D08793	BARRA FILETTATA M16 L=238 ZINCATA ***	BAR	BARRE	STAB	BARRA
#	C10A02290	D08933	PIASTRINA GRADUATA TIRANTE C51526 SP2MM	METAL STRAP	METAL DEPLOYE	BANDEISEN	PLATILLO
#	C10A02291	D08934	SUPP. PIASTRINA GRADUATA PER C51526 2MM	SUPPORT	SUPPORT	STUTZE	APOYO
#	M15A00178	E08485	PERNO ROND.25X85 UT.FORO D.12 ZINC***	PIN	PIVOT	STIFT	PIN
#	C20A01490	E08629	BRACCIO SALD. SUPP. BARRA SEMINA AS1	ARM	BRAS	ARM	BRAZO
#	C20A01492	E08631	GANCIO SALD. SUPP. BARRA SEMINA AS1	HOOK	ATTACHE	HAKEN	ENGANCHE
#	C20A01537	E08892	SUPP. SALD. PARALLELOGAMMA CARRELLO AS1	SUPPORT	SUPPORT	STUTZE	APOYO
#	S45A00062	S31119	KIT ATT.RAPID BARRA AS1 SU CARRELLO	KIT	KIT	KIT	KIT

**S30249,S30250,S30255 - Barra di Semina a Dischi**

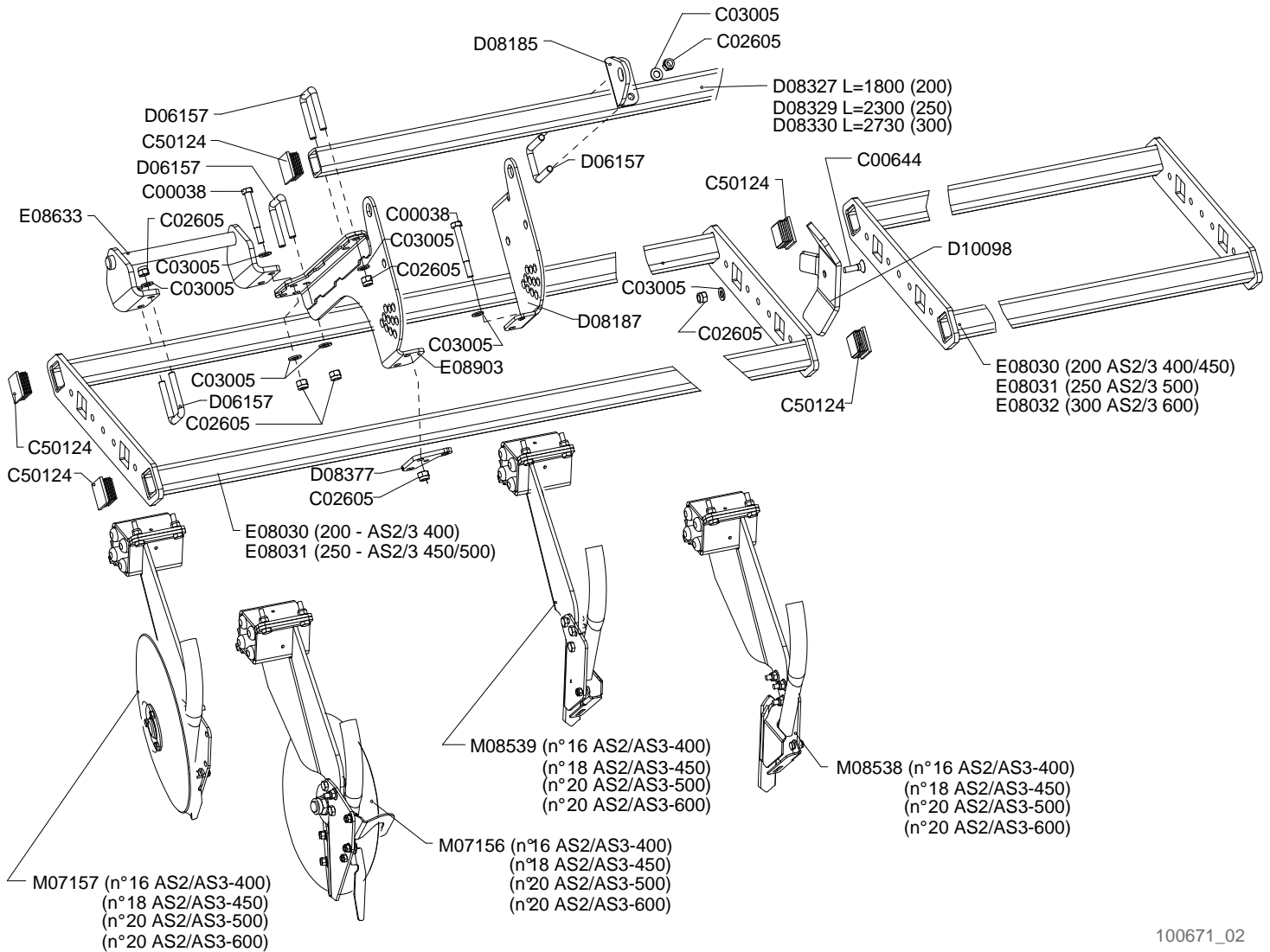
S30249,S30250,S30255 - Sowing Bar

S30249,S30250,S30255 - Barre De Semer

S30249,S30250,S30255 - Barre Fur Drill

Drawing Code: **100671\_2**

Accessories: S55A00014 - S55A00015 - S55A00019



100671\_02



## S30249,S30250,S30255 - Barra di Semina a Dischi

S30249,S30250,S30255 - Sowing Bar

S30249,S30250,S30255 - Barre De Semer

S30249,S30250,S30255 - Barre Fur Drill

Drawing Code: **100671\_2**

Accessories: S55A00014 - S55A00015 - S55A00019

N°	Code	Old.	Descrizione /Description	GB	FR	D	E
#	M80A00035	C00038	VITE TE 88 PG FP M12X100 ZINC UNI 5737	SCREW	VIS	SCHRAUBE	TORNILLO
#	M80A00292	C00644	VITE TSPEI 10.9 PG M12X40 ZINC UNI 5933	SCREW	VIS	SCHRAUBE	TORNILLO
#	M85A00078	C02605	DADO AUTOBLOC ALTO 8 M12 H=14 UNI 7473	NUT	BOULONS	NUT	DADO
#	M90A00008	C03005	RONDELLA PIANA D.13 DIN125-A ZINC.	WASHER	RONDELLE	UNTERLEGSCHLEIBE	ARANDELLA
#	G10A00010	C50124	TAPPO PLASTICA TUBO 50X50X5	PLUG	BOUCHON	STOEPSSEL	ENCHUFE
#	MD5A00017	D06157	CAVALLOTTO QUADRO M12 T50X50X76	PIN	CAVALLIER	STIFT	CAVALLOTTI
#	C10A02108	D08185	SNODO SUPERIORE BARRA DI SEM. S1	JOINT	JOINT	GELENK	MIXTO
#	C10A02109	D08187	FIANCATA PICCOLA BARRA DI SEM. AS	SIDE	LONG	NEBEN	JUNTO
#	C00A00272	D08327	TUBO QUADRO (200) 50X50X5 L=1800	TUBE	TUBE	ROHR	TUBO
#	C00A00273	D08329	TUBO QUADRO (250) 50X50X5 L=2300	TUBE	TUBE	ROHR	TUBO
#	C00A00274	D08330	TUBO QUADRO (300) 50X50X5 L=2730	TUBE	TUBE	ROHR	TUBO
#	C05A05911	D08377	SAG. AGGANCIO MOLLA COPRISEME SP. 8MM	SHAPED	FORME	VERFORMT	HUECAS
#	C10A02481	D10098	SLITTA CENTRALE BARRE SEMINA SU PIEG.	SKID	PATTINS	SLED	TRINEO
#	C20A01418	E08030	TELAIO BARRA DI SEMINA S1-200	FRAME	CHASSIS	RAHMEN	MARCO
#	C20A01419	E08031	TELAIO BARRA DI SEMINA S1-250	FRAME	CHASSIS	RAHMEN	MARCO
#	C20A01420	E08032	TELAIO BARRA DI SEMINA S1-300	FRAME	CHASSIS	RAHMEN	MARCO
#	C20A01493	E08633	SNODO SALD. BARRA DI SEMINA AS1	JOINT	JOINT	GELENK	MIXTO
#	C20A01539	E08903	FIANCATA SALD GRANDE BARRA DI SEM. AS1	SIDE	LONG	NEBEN	JUNTO
#	F00A01357	M07156	ASSOLCATORE A DISCO DESTRO	SHOE	SOC	SCHAREN	ACABALLONADOR
#	F00A01358	M07157	ASSOLCATORE A DISCO SINISTRO	SHOE	SOC	SCHAREN	ACABALLONADOR
#	M79A00084	M08538	ASSOLCATORE A FALCIONE DESTRO	SHOE	SOC	SCHAREN	ACABALLONADOR
#	M79A00085	M08539	ASSOLCATORE A FALCIONE SINISTRO	SHOE	SOC	SCHAREN	ACABALLONADOR

**S30302,S30303,S30304 - Barra di semina a falconi**

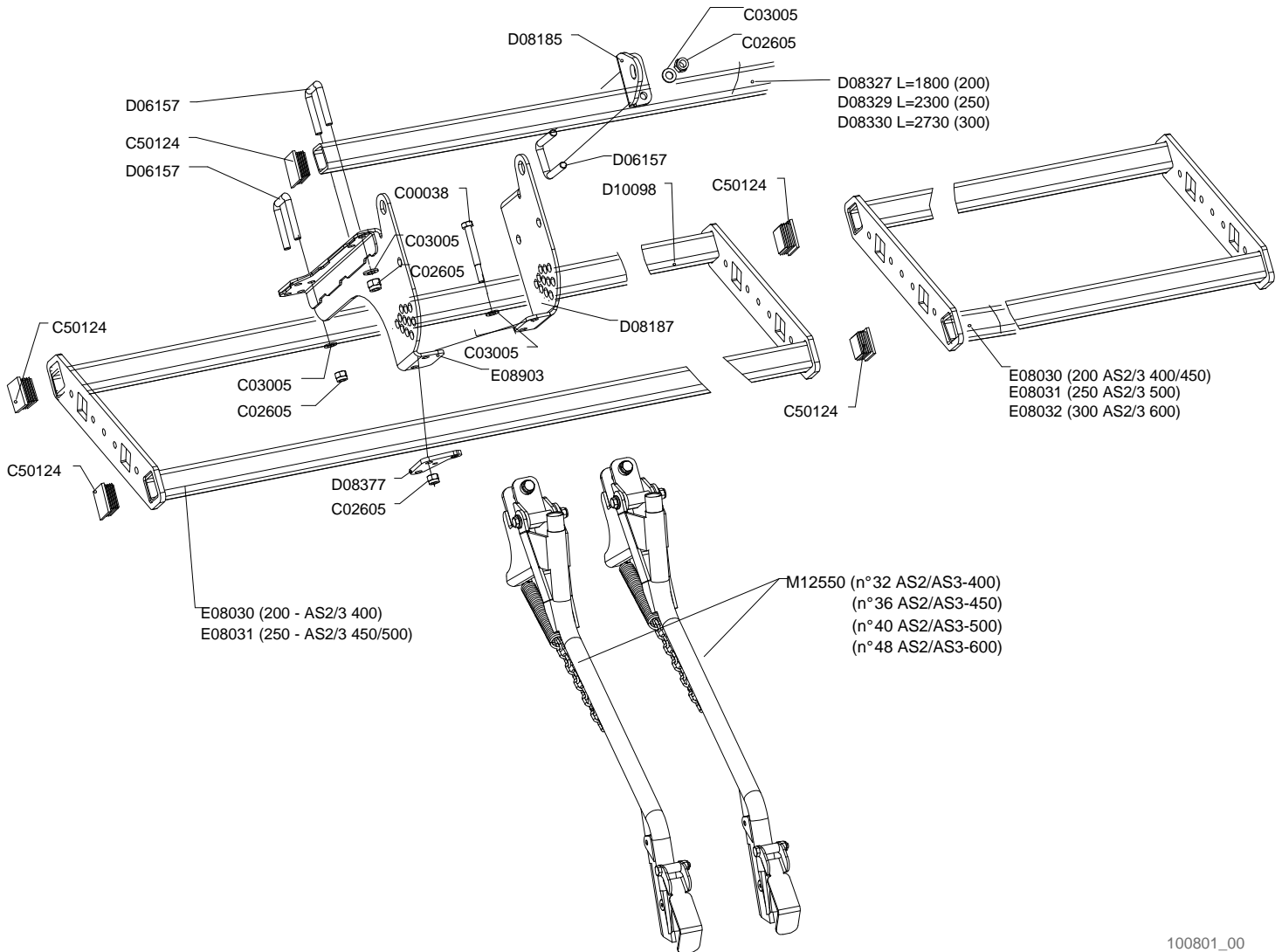
S30302,S30303,S30304 - Sowing bar

S30302,S30303,S30304 - Barre de semer a socs

S30302,S30303,S30304 - Barre fur drill

Drawing Code: **100801\_0**

Accessories: S60A00016 - S60A00017 - S60A00018



100801\_00



**S30302,S30303,S30304 - Barra di semina a falcioni**

S30302,S30303,S30304 - Sowing bar

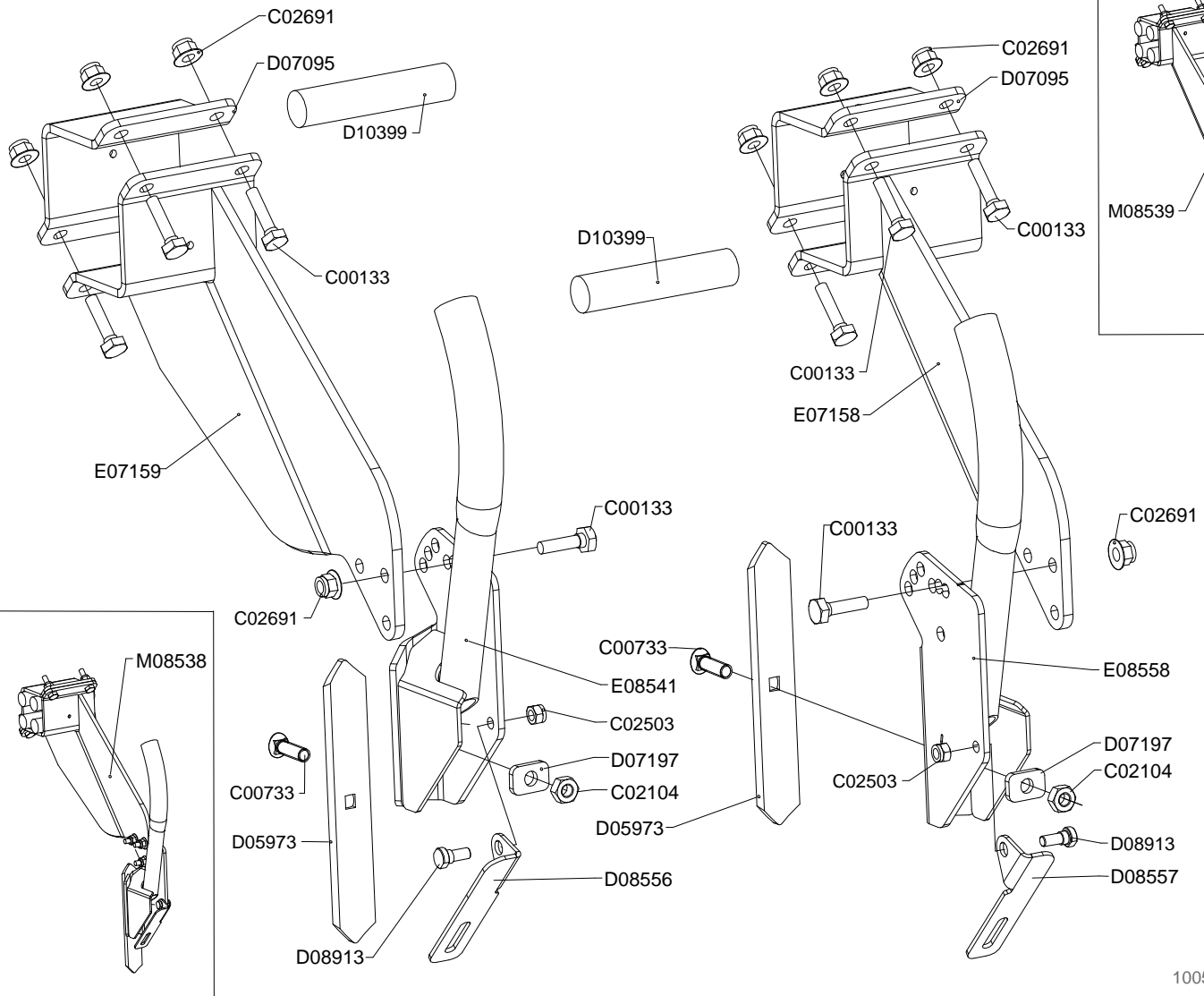
S30302,S30303,S30304 - Barre de semer a socs

S30302,S30303,S30304 - Barre fur drill

Drawing Code: **100801\_0**

Accessories: S60A00016 - S60A00017 - S60A00018

N°	Code	Old.	Descrizione /Description	GB	FR	D	E
#	M80A00035	C00038	VITE TE 88 PG FP M12X100 ZINC UNI 5737	SCREW	VIS	SCHRAUBE	TORNILLO
#	M85A00078	C02605	DADO AUTOBLOC ALTO 8 M12 H=14 UNI 7473	NUT	BOULONS	NUT	DADO
#	M90A00008	C03005	RONDELLA PIANA D.13 DIN125-A ZINC.	WASHER	RONDELLE	UNTERLEGSCHIEBE	ARANDELLA
#	G10A00010	C50124	TAPPO PLASTICA TUBO 50X50X5	PLUG	BOUCHON	STOEPSSEL	ENCHUFE
#	MD5A00017	D06157	CAVALLOTTO QUADRO M12 T50X50X76	PIN	CAVALLIER	STIFT	CAVALLOTTI
#	C10A02108	D08185	SNODO SUPERIORE BARRA DI SEM. S1	JOINT	JOINT	GELENK	MIXTO
#	C10A02109	D08187	FIANCATA PICCOLA BARRA DI SEM. AS	SIDE	LONG	NEBEN	JUNTO
#	C00A00272	D08327	TUBO QUADRO (200) 50X50X5 L=1800	TUBE	TUBE	ROHR	TUBO
#	C00A00273	D08329	TUBO QUADRO (250) 50X50X5 L=2300	TUBE	TUBE	ROHR	TUBO
#	C00A00274	D08330	TUBO QUADRO (300) 50X50X5 L=2730	TUBE	TUBE	ROHR	TUBO
#	C05A05911	D08377	SAG. AGGANCIOLLO MOLLA COPRISEME SP. 8MM	SHAPED	FORME	VERFORMT	HUECAS
#	C10A02481	D10098	SLITTA CENTRALE BARRE SEMINA SU PIEG.	SKID	PATTINS	SLED	TRINEO
#	C20A01418	E08030	TELAIO BARRA DI SEMINA S1-200	FRAME	CHASSIS	RAHMEN	MARCO
#	C20A01419	E08031	TELAIO BARRA DI SEMINA S1-250	FRAME	CHASSIS	RAHMEN	MARCO
#	C20A01420	E08032	TELAIO BARRA DI SEMINA S1-300	FRAME	CHASSIS	RAHMEN	MARCO
#	C20A01539	E08903	FIANCATA SALD GRANDE BARRA DI SEM. AS1	SIDE	LONG	NEBEN	JUNTO
#	M79A00175	M12550	ASSOLCATORE A FALCIONE COMPLETO	SHOE	SOC	SCHAREN	ACABALLONADOR



100539\_01



## Assolcatore a scarpetta

Shoe coulter

Soc a sabot

Sabelschar

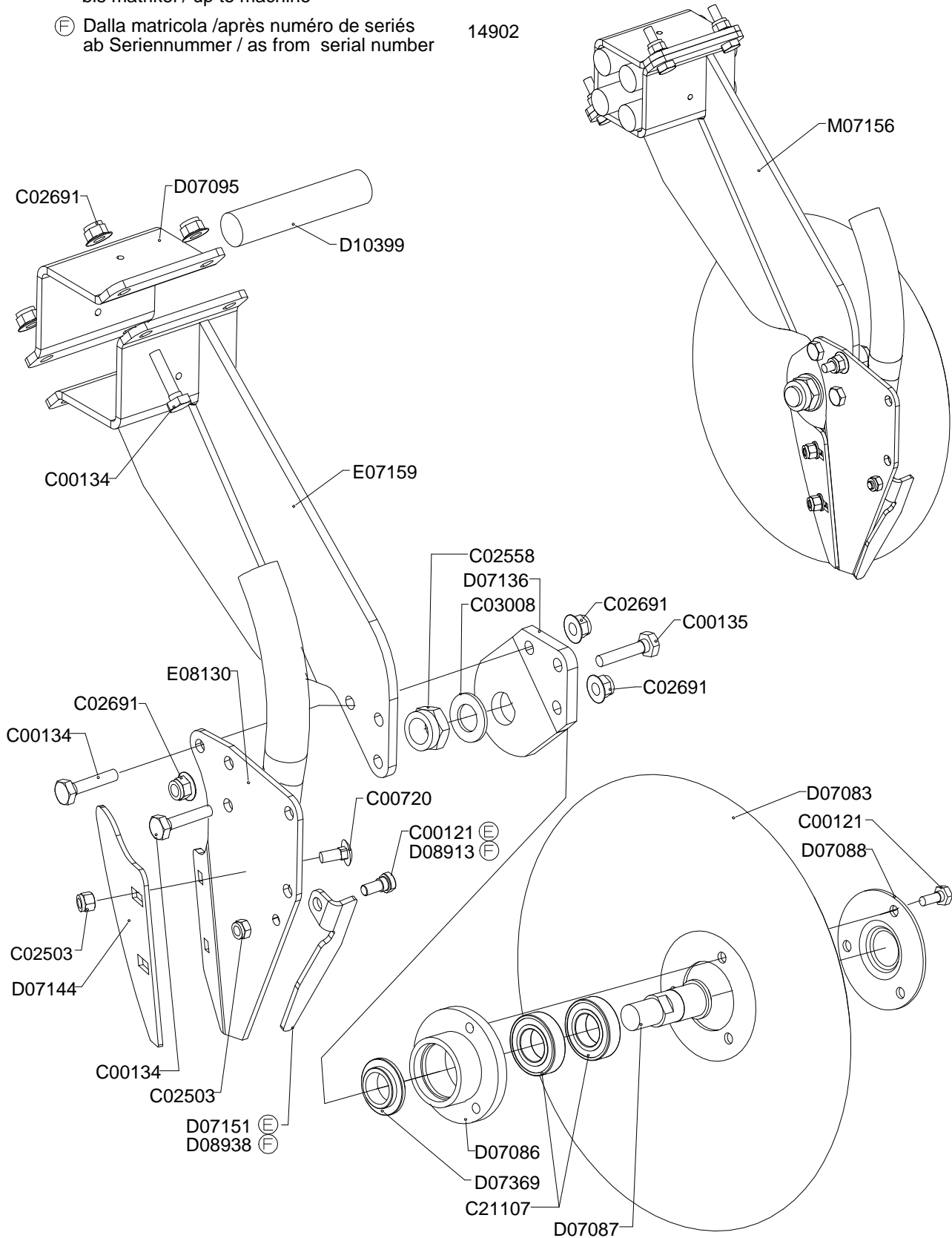
Drawing Code: **100539\_1**

Accessories: M79A00084 - M79A00085

N°	Code	Old.	Descrizione / Description	GB	FR	D	E
#	M80A00121	C00133	VITE TE 88 PG FT M10X35 ZINC UNI 5739	SCREW	VIS	SCHRAUBE	TORNILLO
#	MF0A00003	C00733	BULLONE TSQST M10X38 TESTA OVALE	BOLT	BOULON	FLANSCH	BRIDA
#	M85A00027	C02104	DADO NORMALE 8 PG M10 UNI 5588 ZINC	NUT	BOULONS	NUT	DADO
#	M85A00056	C02503	DADO AUTOBLOC BASSO 8 PG M8 H=8 UNI 7474	NUT	BOULONS	NUT	DADO
#	M85A00097	C02691	DADO AUTOBLOC FLANGIATO NORM 8 M10 DIN-6926	NUT	BOULONS	NUT	DADO
#	MK0A00102	D05973	VOMERE VIBRO DIRITTO 40X6X210 CON VITE	PLOUGHSHARE	SOC	PFLUGSCHAR	REJA
#	C10A01866	D07095	MORSETTO ASSOLCATORE A DISCO 6MM	TERMINAL	TERMINAL	TERMINAL	TERMINALES
#	C05A05514	D07197	RONDELLA FISSAGGIO VOMERE sp.5mm	WASHER	RONDELLE	UNTERLEGSCHNEIBE	ARANDELLA
#	C10A02216	D08556	ANTINTASAMENTO ASS. A FALCIONE DESTRO	NO-CLOG	ANTI-ENGORGEMENT	VERSTOPFUNGSFREI-	ANTINTASAMENTO
#	C10A02217	D08557	ANTINTASAMENTO ASS. A FALCIONE SINISTRO	NO-CLOG	ANTI-ENGORGEMENT	VERSTOPFUNGSFREI-	ANTINTASAMENTO
#	M15A00109	D08913	PERNO A VITE M8 ANTINTASAMENTO DISCHI **	PIN	PIVOT	STIFT	PIN
#	G00A00009	D10399	PROFILO GOMMA ELASTICA D.26.5X110	PROFILE	PROFIL	PROFIL	PERFIL
#	C20A01301	E07158	SUPPORTO SALDATO ASSOLCATORE SINISTRO	SUPPORT	SUPPORT	STUTZE	APOYO
#	C20A01302	E07159	SUPPORTO SALDATO ASSOLCATORE DESTRO	SUPPORT	SUPPORT	STUTZE	APOYO
#	C20A01475	E08541	CORPO ASSOLCAT. A FALCIONE DESTRO AS	BODY	CORPS	KOERPER	CUERPO
#	C20A01476	E08558	CORPO ASSOLCAT. A FALCIONE SINISTRO AS	BODY	CORPS	KOERPER	CUERPO
#	M79A00084	M08538	ASSOLCATORE A FALCIONE DESTRO	SHOE	SOC	SCHAREN	ACABALLONADOR
#	M79A00085	M08539	ASSOLCATORE A FALCIONE SINISTRO	SHOE	SOC	SCHAREN	ACABALLONADOR



- Ⓔ Fino alla matricola / jusqu'à matricule 14901  
bis matrikel / up to machine
- Ⓕ Dalla matricola / après numéro de séries 14902  
ab Seriennummer / as from serial number





## Assolcatore a dischi destro

Disc coulter right

Barre a disques droite

Scheibensaeinheit rechts

Drawing Code: **100529\_2**

Accessories: F00A01357

N°	Code	Old.	Descrizione / Description	GB	FR	D	E
#	M80A00110	C00121	VITE TE 88 PG FT M8X20 ZINC UNI 5739	SCREW	VIS	SCHRAUBE	TORNILLO
#	M80A00122	C00134	VITE TE 88 PG FT M10X40 ZINC UNI 5739	SCREW	VIS	SCHRAUBE	TORNILLO
#	M80A00123	C00135	VITE TE 88 PG FT M10X45 ZINC UNI 5739	SCREW	VIS	SCHRAUBE	TORNILLO
#	M80A00314	C00720	VITE TTQDE M8X20 UNI 5731 ZINC.BIANC	SCREW	VIS	SCHRAUBE	TORNILLO
#	M85A00056	C02503	DADO AUTOBLOC BASSO 8 PG M8 H=8 UNI 7474	NUT	BOULONS	NUT	DADO
#	M85A00066	C02558	DADO AUTOBLOC BASSO 8 PF M20X1,5 H=20 UNI 7474	NUT	BOULONS	NUT	DADO
#	M85A00097	C02691	DADO AUTOBLOC FLANGIATO NORM 8 M10 DIN-6926	NUT	BOULONS	NUT	DADO
#	M90A00011	C03008	RONDELLA PIANA D.21 DIN125-A ZINC.	WASHER	RONDELLE	UNTERLEGSCHLEIBE	ARANDELLA
#	M20A00018	C21107	CUSCINETTO 6005 2RS 25X47X12	BEARING	ROULEMENT	KUGELLAGER	COJINETE
#	MK0A00129	D07083	DISCO SEMINA D.350 SP 3.2MM	DISC	DISQUE	SCHEIBE	DISCO
#	C15A00450	D07086	MOZZO ASSOLC DISCO DE 89 DI 47 L=34.8***	HUB	ESSIEU	NABE	MAZO
#	M15A00082	D07087	PERNO ASSOLCATORE A DISCO***	PIN	PIVOT	STIFT	PIN
#	C10A01865	D07088	COPERCHIO DISCO ASSOLCATORE	LID	COUVERCLE	DECKEL	TAPA
#	C10A01866	D07095	MORSETTO ASSOLCATORE A DISCO 6MM	TERMINAL	TERMINAL	TERMINAL	TERMINALES
#	C10A01878	D07136	PIASTRA INCLINAZIONE-ASSOLCATORE DISCO	PLATE	PLAQUE	PLATTE	PLACA
#	C05A05492	D07144	RASCHIATORE DISCO DI SEMINA SP 3MM	SCRAPER	SCRAPERS	ABSTREIFER	RASCADORES
#	C10A01885	D07151	ANTINTASAMENTO ASSOLC A DISCO DESTRO	NO-CLOG	ANTI-ENGORGEMENT	VERSTOPFUNGSFREI-	ANTINTASAMENTO
#	C15A00457	D07369	DISTANZIALE CUSCINETTI DISCO DI SEMINA	SPACER	ENTRETOISE	ABSTANDSTUECK	ESPACIADORES
#	M15A00109	D08913	PERNO A VITE M8 ANTINTASAMENTO DISCHI **	PIN	PIVOT	STIFT	PIN
#	C10A02294	D08938	ANTINTASAMENTO ASSOLC A DISCO DES 2?VERS	NO-CLOG	ANTI-ENGORGEMENT	VERSTOPFUNGSFREI-	ANTINTASAMENTO
#	G00A00009	D10399	PROFILO GOMMA ELASTICA D.26.5X110	PROFILE	PROFIL	PROFIL	PERFIL
#	C20A01302	E07159	SUPPORTO SALDATO ASSOLCATORE DESTRO	SUPPORT	SUPPORT	STUTZE	APOYO
#	C20A01436	E08130	SUPP. TUBO SEMINA-RASCHIATORE DESTRO***	SUPPORT	SUPPORT	STUTZE	APOYO
#	F00A01357	M07156	ASSOLCATORE A DISCO DESTRO	SHOE	SOC	SCHAREN	ACABALLONADOR

# Assolcatore a dischi sinistro

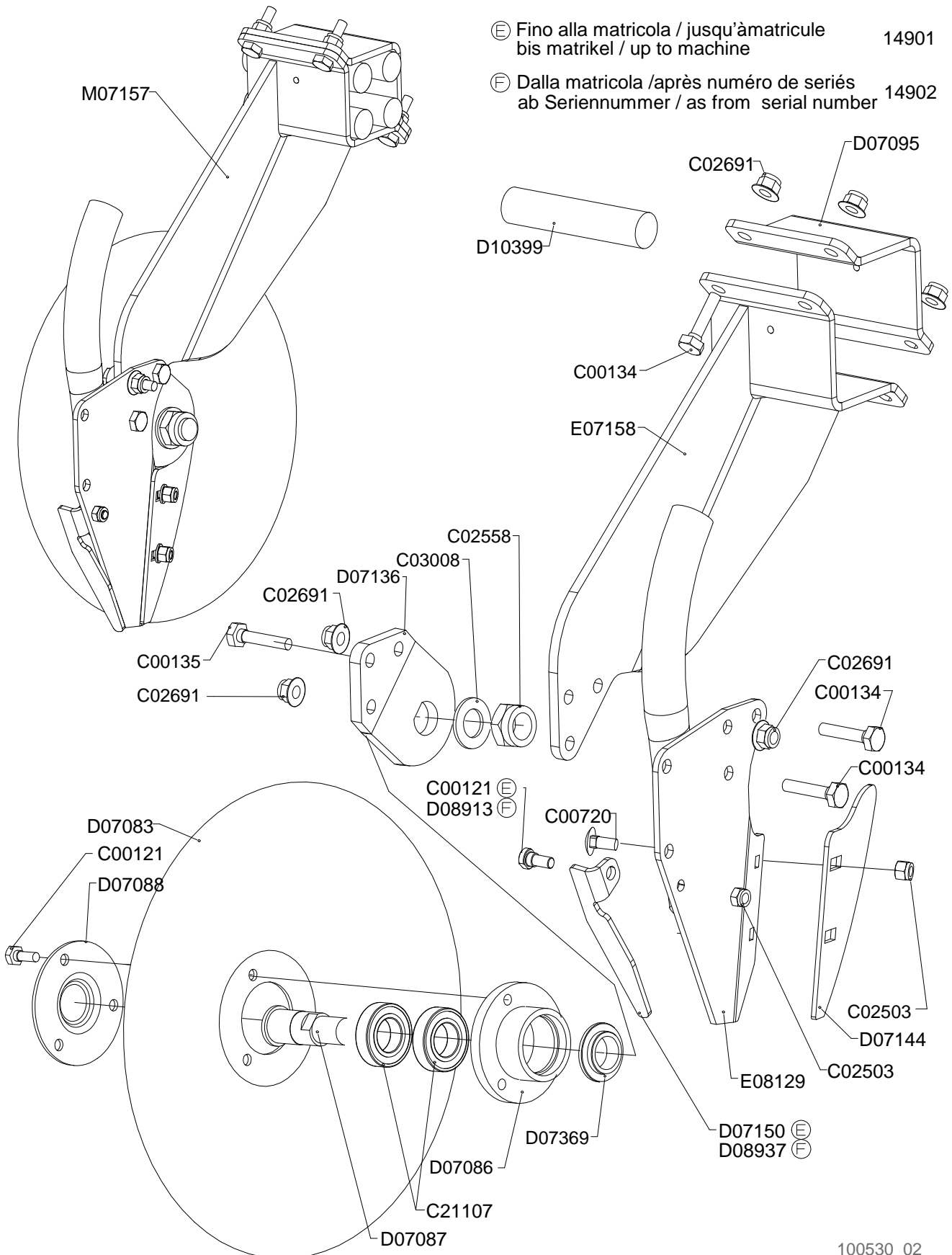
Disc coulter left

Barre a disques gauche

Scheibensaeinheit links

Drawing Code: **100530\_2**

Accessories: F00A01358



Ⓔ Fino alla matricola / jusqu'à matricule 14901  
bis matrikel / up to machine

Ⓕ Dalla matricola / après numéro de séries 14902  
ab Seriennummer / as from serial number

100530\_02



## Assolcatore a dischi sinistro

Disc coulter left

Barre a disques gauche

Scheibensaeinheit links

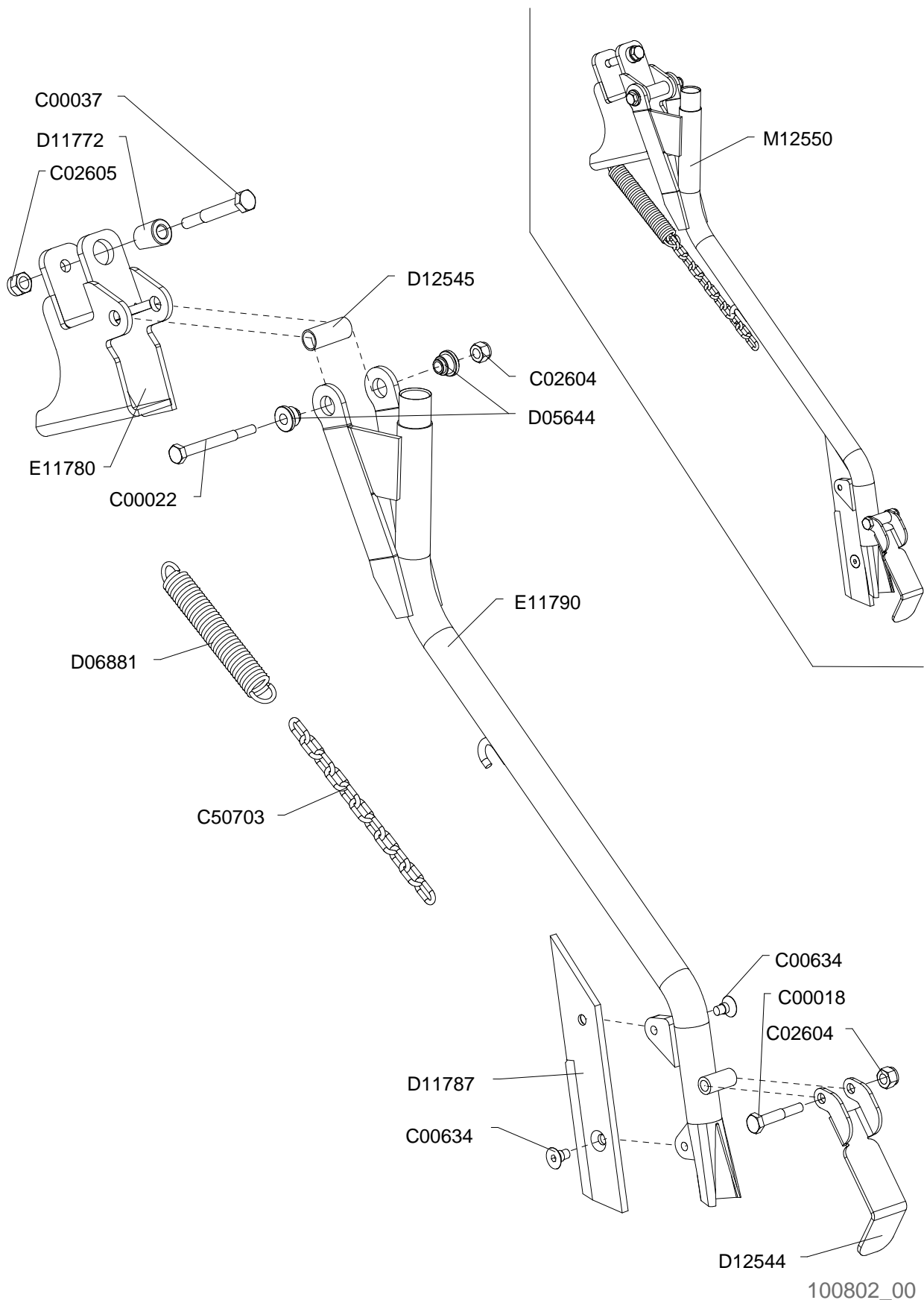
Drawing Code:

100530\_2

Accessories:

F00A01358

N°	Code	Old.	Descrizione / Description	GB	FR	D	E
#	M80A00110	C00121	VITE TE 88 PG FT M8X20 ZINC UNI 5739	SCREW	VIS	SCHRAUBE	TORNILLO
#	M80A00122	C00134	VITE TE 88 PG FT M10X40 ZINC UNI 5739	SCREW	VIS	SCHRAUBE	TORNILLO
#	M80A00123	C00135	VITE TE 88 PG FT M10X45 ZINC UNI 5739	SCREW	VIS	SCHRAUBE	TORNILLO
#	M80A00314	C00720	VITE TTQDE M8X20 UNI 5731 ZINC.BIANC	SCREW	VIS	SCHRAUBE	TORNILLO
#	M85A00056	C02503	DADO AUTOBLOC BASSO 8 PG M8 H=8 UNI 7474	NUT	BOULONS	NUT	DADO
#	M85A00066	C02558	DADO AUTOBLOC BASSO 8 PF M20X1,5 H=20 UNI 7474	NUT	BOULONS	NUT	DADO
#	M85A00097	C02691	DADO AUTOBLOC FLANGIATO NORM 8 M10 DIN-6926	NUT	BOULONS	NUT	DADO
#	M90A00011	C03008	RONDELLA PIANA D.21 DIN125-A ZINC.	WASHER	RONDELLE	UNTERLEGSCHLEIBE	ARANDELLA
#	M20A00018	C21107	CUSCINETTO 6005 2RS 25X47X12	BEARING	ROULEMENT	KUGELLAGER	COJINETE
#	MK0A00129	D07083	DISCO SEMINA D.350 SP 3.2MM	DISC	DISQUE	SCHEIBE	DISCO
#	C15A00450	D07086	MOZZO ASSOLC DISCO DE 89 DI 47 L=34.8***	HUB	ESSIEU	NABE	MAZO
#	M15A00082	D07087	PERNO ASSOLCATORE A DISCO***	PIN	PIVOT	STIFT	PIN
#	C10A01865	D07088	COPERCHIO DISCO ASSOLCATORE	LID	COUVERCLE	DECKEL	TAPA
#	C10A01866	D07095	MORSETTO ASSOLCATORE A DISCO 6MM	TERMINAL	TERMINAL	TERMINAL	TERMINALES
#	C10A01878	D07136	PIASTRA INCLINAZIONE-ASSOLCATORE DISCO	PLATE	PLAQUE	PLATTE	PLACA
#	C05A05492	D07144	RASCHIATORE DISCO DI SEMINA SP 3MM	SCRAPER	SCRAPERS	ABSTREIFER	RASCADORES
#	C10A01883	D07150	ANTINTASAMENTO ASSOLC A DISCO SINISTRO	NO-CLOG	ANTI-ENGORGEMENT	VERSTOPFUNGSFREI-	ANTINTASAMENTO
#	C15A00457	D07369	DISTANZIALE CUSCINETTI DISCO DI SEMINA	SPACER	ENTRETOISE	ABSTANDSTUECK	ESPACIADORES
#	M15A00109	D08913	PERNO A VITE M8 ANTINTASAMENTO DISCHI **	PIN	PIVOT	STIFT	PIN
#	C10A02293	D08937	ANTINTASAMENTO ASSOLC A DISCO SIN 2?VERS	NO-CLOG	ANTI-ENGORGEMENT	VERSTOPFUNGSFREI-	ANTINTASAMENTO
#	G00A00009	D10399	PROFILO GOMMA ELASTICA D.26.5X110	PROFILE	PROFIL	PROFIL	PERFIL
#	C20A01301	E07158	SUPPORTO SALDATO ASSOLCATORE SINISTRO	SUPPORT	SUPPORT	STUTZE	APOYO
#	C20A01435	E08129	SUPP. TUBO SEMINA-RASCHIATORE SINISTRO***	SUPPORT	SUPPORT	STUTZE	APOYO
#	F00A01358	M07157	ASSOLCATORE A DISCO SINISTRO	SHOE	SOC	SCHAREN	ACABALLONADOR





## Assolcatore a falcone

Sock coulter

Soc falcione

Schleppschar

Drawing Code:

**100802\_0**

Accessories:

M79A00175

N°	Code	Old.	Descrizione / Description
#	M80A00015	C00018	VITE TE 88 PG FP M10X60 ZINC UNI 5737
#	M80A00019	C00022	VITE TE 88 PG FP M10X100 ZINC UNI 5737
#	M80A00034	C00037	VITE TE 88 PG FP M12X90 ZINC UNI 5737
#	M80A00287	C00634	VITE TSPEI 10.9 PG M10X18 ZINC UNI 5933
#	M85A00077	C02604	DADO AUTOBLOC ALTO 8 M10 H=11.5 UNI 7473
#	M85A00078	C02605	DADO AUTOBLOC ALTO 8 M12 H=14 UNI 7473
#	MH0A00002	C50703	CATENA GENOVESE 4,4X30X17,5 (NR.20) ZINC.
#	C15A00397	D05644	DIST. D.25-19-14 d.10,5 L.16,5 carb+zinc
#	MF5A00027	D06881	MOLLA TRAZIONE D=4 DE=27 L=180
#	C15A00644	D11772	CONO FISS. MORSETTO FALCIONE D.25.1 L=30 ANG 80°
#	MK0A00152	D11787	VOMERE FALCIONE 50X8X270
#	C10A02888	D12544	ANTINTASAMENTO FALCIONE VERT
#	C00A00581	D12545	DIST. D.20 D.16.8 L=49.5 ZINC.
#	C20A01922	E11780	SUPPORTO FALCIONE VERT
#	C20A01923	E11790	FALCIONE PER VOMERE A LAMA DRITTA
#	M79A00175	M12550	ASSOLCATORE A FALCIONE COMPLETO

GB	FR	D	E
SCREW	VIS	SCHRAUBE	TORNILLO
SCREW	VIS	SCHRAUBE	TORNILLO
SCREW	VIS	SCHRAUBE	TORNILLO
SCREW	VIS	SCHRAUBE	TORNILLO
NUT	BOULONS	NUT	DADO
NUT	BOULONS	NUT	DADO
CHAIN	CHAINE	KETTE	CADENA
SPACER	ENTRETOISE	ABSTANDSTUECK	ESPACIADORES
SPRING	RESSORT	FEDER	MUELLE
CONE	CONE	KEGEL-	CONO
PLOUGHSHARE	SOC	PFLUGSCHAR	REJA
NO-CLOG	ANTI-ENGORGEMENT	VERSTOPFUNGSFREI-	ANTINTASAMENTO
SPACER	ENTRETOISE	ABSTANDSTUECK	ESPACIADORES
SUPPORT	SUPPORT	STUTZE	APOYO
COULTER	SOC	SAESCAHR	FALCIONE
SHOE	SOC	SCHAREN	ACABALLONADOR

**S31157 - Kit spatola pulidisco di semina sinistra**

S31157 - Kit scaper for seedeng disc left

S31157 - Kit racleur pour disque de ensemencement gauche

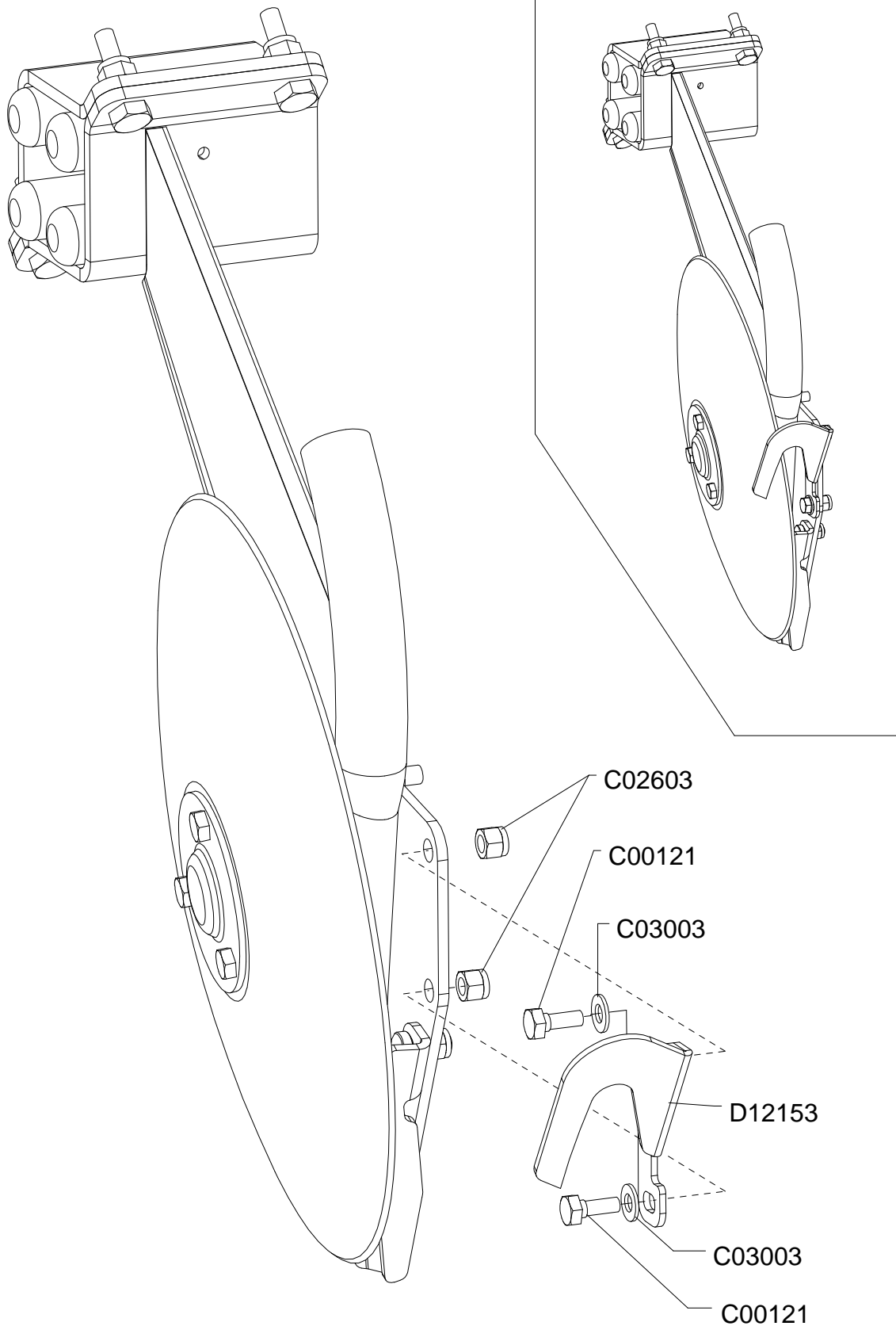
S31157 - Kit scraper fur säen der scheibe

Drawing Code:

**100803\_0**

Accessories:

SZ9A00058



100803\_00





**S31157 - Kit spatola pulidisco di semina sinistra**

S31157 - Kit scaper for seedeng disc left

S31157 - Kit racleur pour disque de ensemencement gauche

S31157 - Kit scraper fur säen der scheinbe

Drawing Code: **100803\_0**

Accessories: SZ9A00058

N°	Code	Old.	Descrizione / Description
#	M80A00110	C00121	VITE TE 88 PG FT M8X20 ZINC UNI 5739
#	M85A00075	C02603	DADO AUTOBLOC ALTO 8 M8 H=10.6 UNI 7473
#	M90A00005	C03003	RONDELLA PIANA D.8,4 DIN125-A ZINC.
#	C10A02823	D12153	SPATOLA PULIDISCO SINISTRA

GB	FR	D	E
SCREW	VIS	SCHRAUBE	TORNILLO
NUT	BOULONS	NUT	DADO
WASHER	RONDELLE	UNTERLEGSCHIEBE	ARANDELLA
SPATULA	Spatules	SPACHTEL	ESPÁTULASS

**S31156 - Kit spatola pulidisco di semina destra**

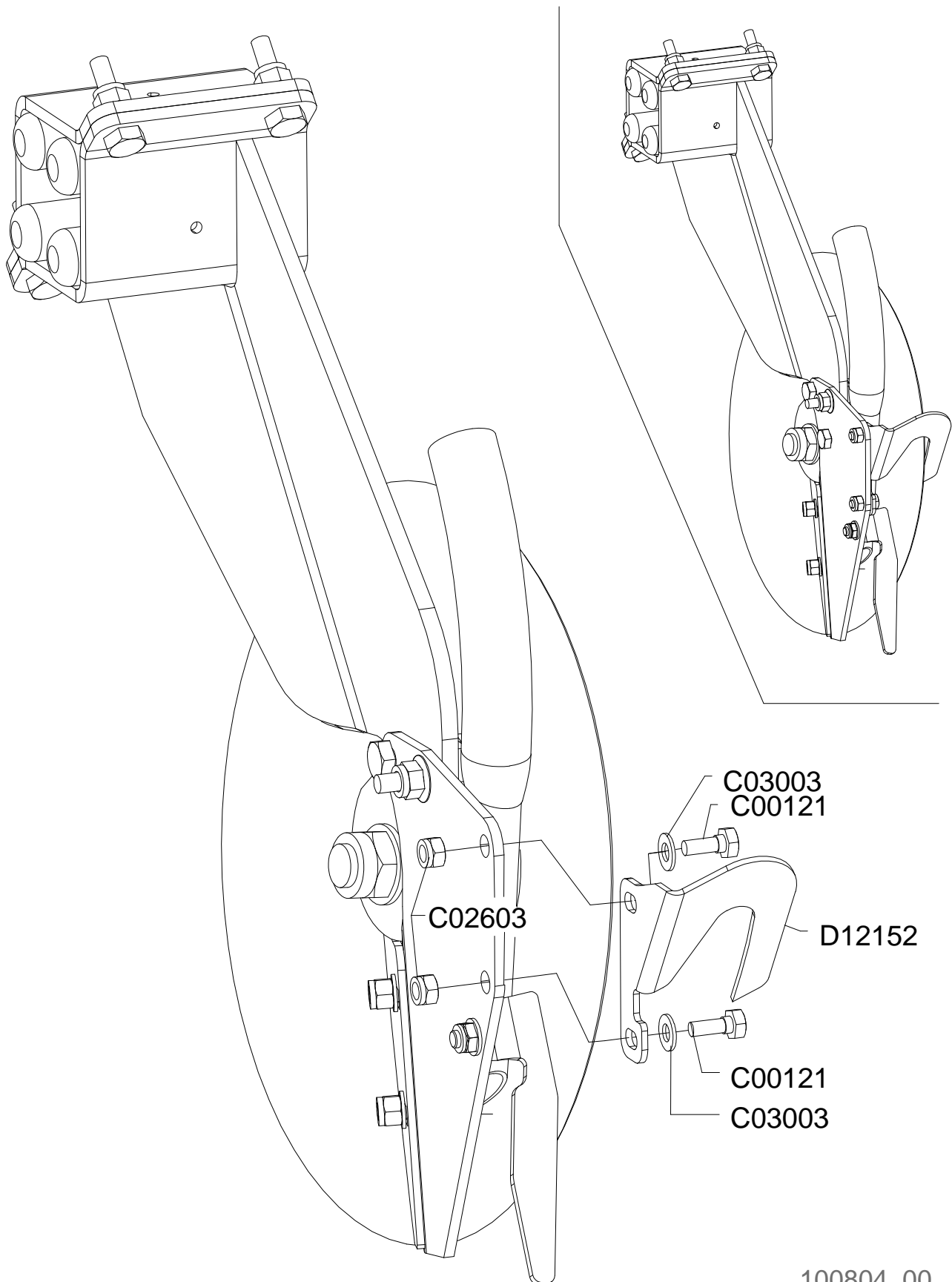
S31156 - Kit scaper for seedeng disc right

S31156 - Kit racleur pour disque de ensemencement droite

S31156 - Kit scraper fur säen der scheid

Drawing Code: **100804\_0**

Accessories: SZ9A00057



100804\_00



**S31156 - Kit spatola pulidisco di semina destra**

S31156 - Kit scaper for seedeng disc right

S31156 - Kit racleur pour disque de ensemencement droite

S31156 - Kit scraper fur säen der schein

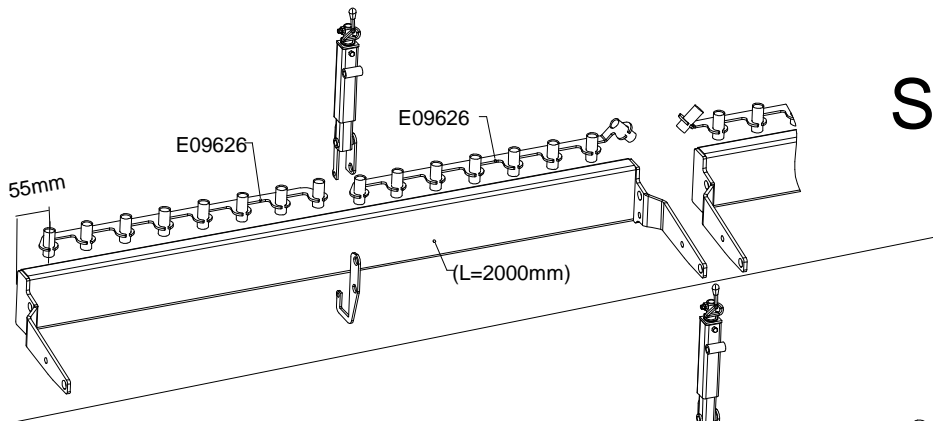
Drawing Code: **100804\_0**

Accessories: SZ9A00057

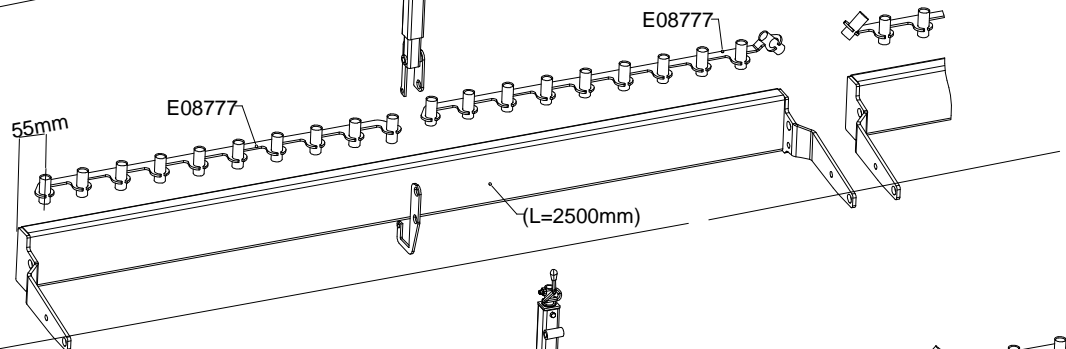
N°	Code	Old.	Descrizione / Description
#	M80A00110	C00121	VITE TE 88 PG FT M8X20 ZINC UNI 5739
#	M85A00075	C02603	DADO AUTOBLOC ALTO 8 M8 H=10.6 UNI 7473
#	M90A00005	C03003	RONDELLA PIANA D.8,4 DIN125-A ZINC.
#	C10A02822	D12152	SPATOLA PULIDISCO DESTRA

GB	FR	D	E
SCREW	VIS	SCHRAUBE	TORNILLO
NUT	BOULONS	NUT	DADO
WASHER	RONDELLE	UNTERLEGSCHIEBE	ARANDELLA
SPATULA	Spatules	SPACHTEL	ESPÁTULASS

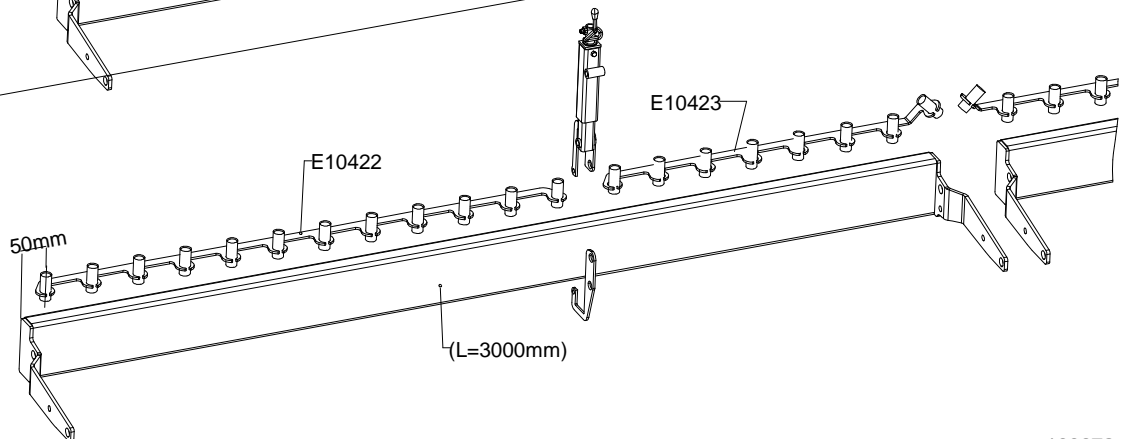
**S30270**



**S30271**



**S30273**



100672\_02



## Barra di Semina a Spaglio

Sowing Bar

Barre De Semer

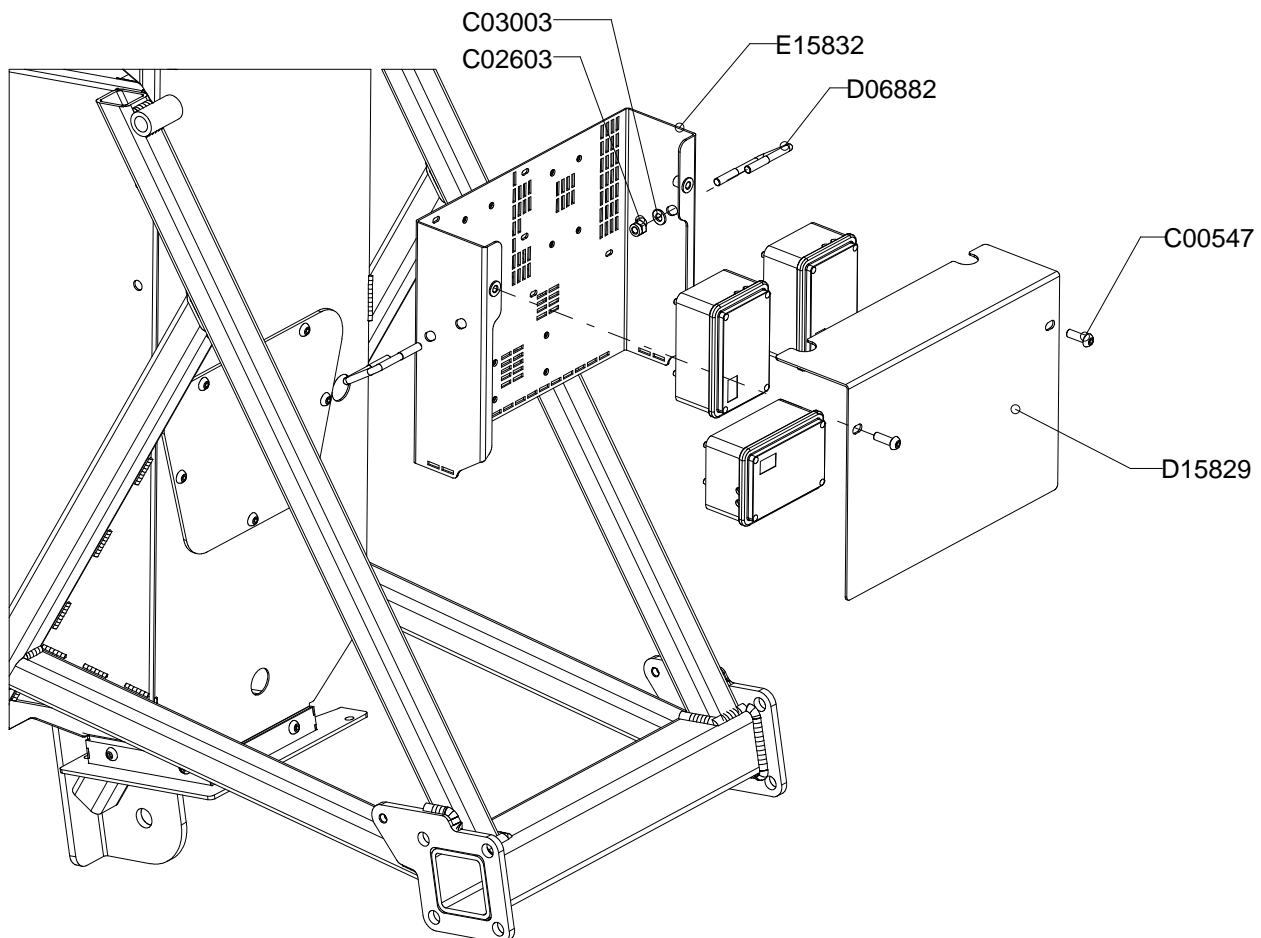
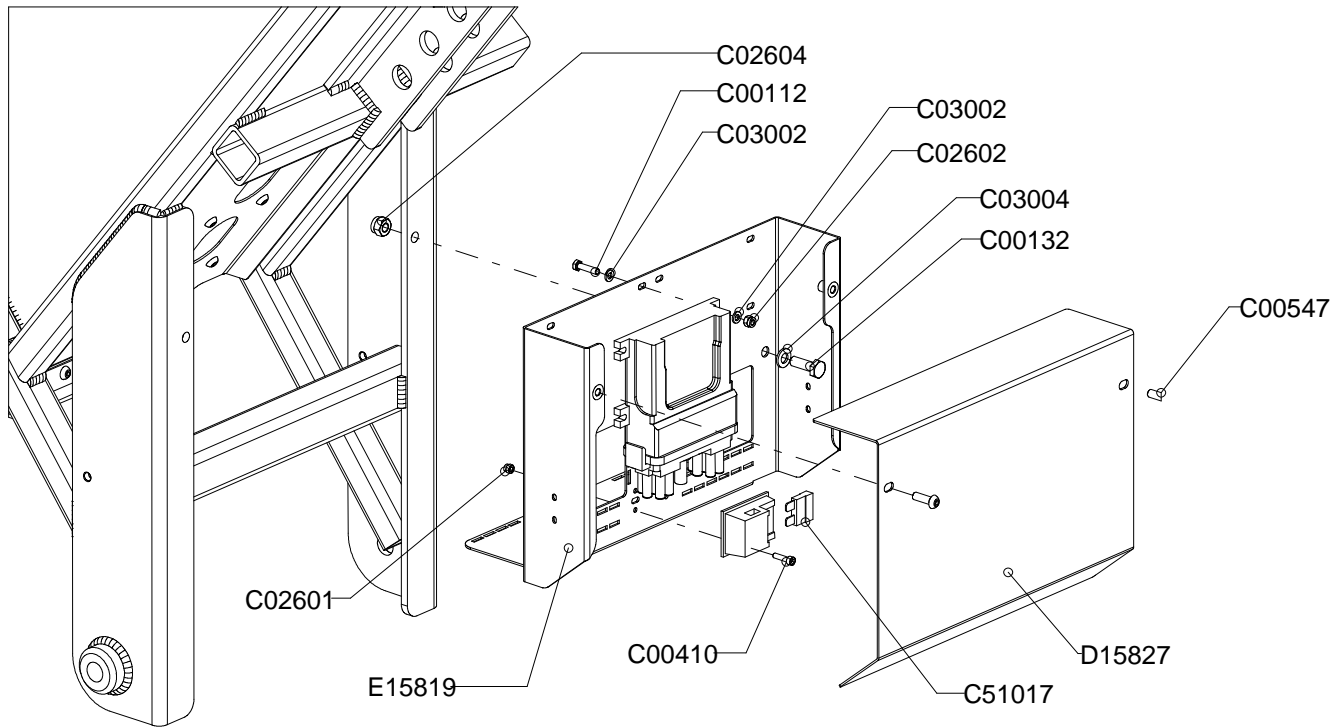
Barre Fur Drill

Drawing Code: **100672\_1**

Accessories: S65A00003 - S65A00004 - S65A00006

N°	Code	Old.	Descrizione / Description
#	C20A01509	E08777	PETTINE CON 10 TUBI DI SEMINA PNEU+SPAGLIO
#	C20A01652	E09626	PETTINE CON 8 TUBI DI SEMINA PNEU+SPAGL
#	C20A01742	E10422	PETTINE CON 12X147 TUBI DI SEM
#	C20A01743	E10423	PETTINE CON 8X147 TUBI DI SEMI
#	S65A00003	S30270	BARRA DI SEMINA SPAGLIO 200/16
#	S65A00004	S30271	BARRA DI SEMINA SPAGLIO 250/20
#	S65A00006	S30273	BARRA DI SEMINA SPAGLIO 300/20

GB	FR	D	E
COMB	HERSE	KAMM	PEINE
COMB	HERSE	KAMM	PEINE
COMB	HERSE	KAMM	PEINE
COMB	HERSE	KAMM	PEINE
BAR	BARRE	STAB	BARRA
BAR	BARRE	STAB	BARRA
BAR	BARRE	STAB	BARRA





## Cassette di cablaggio

Cabling boxes

Boîtes de câblage

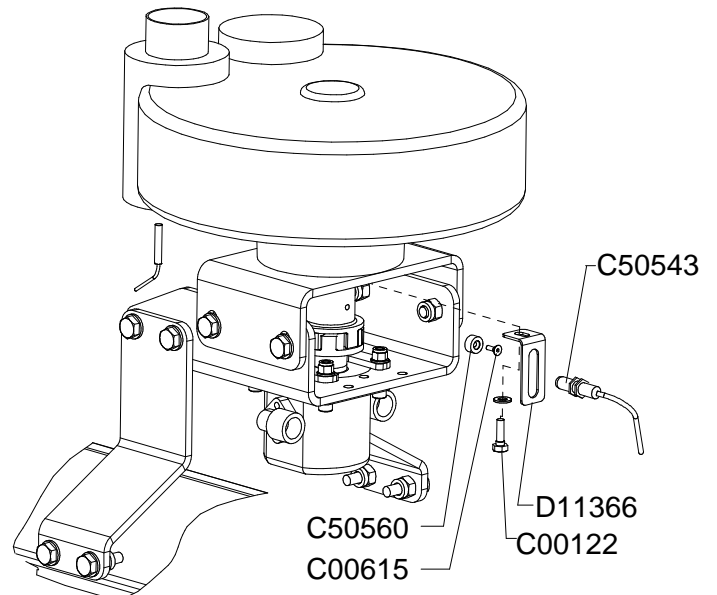
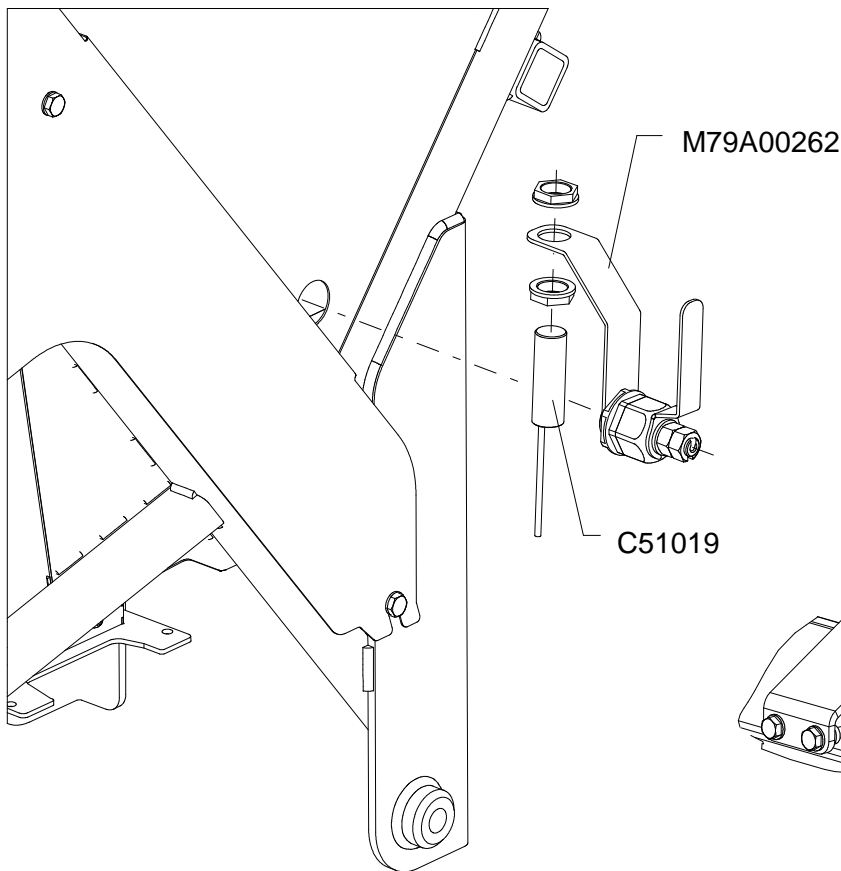
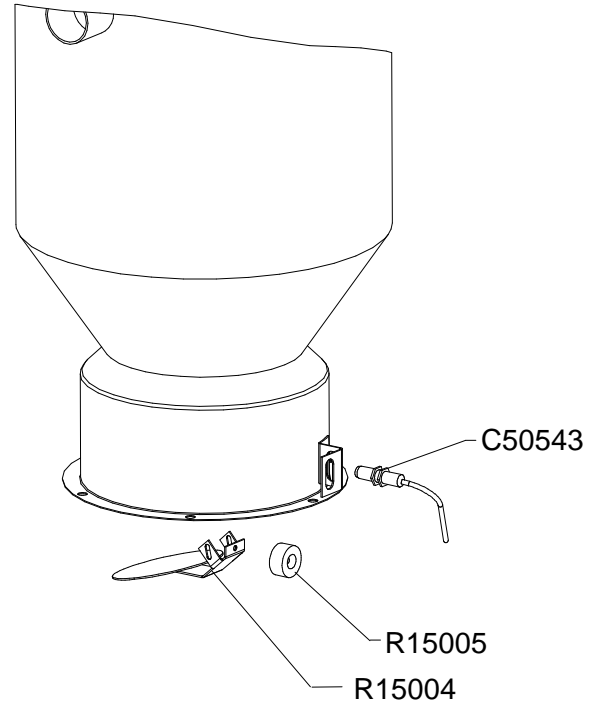
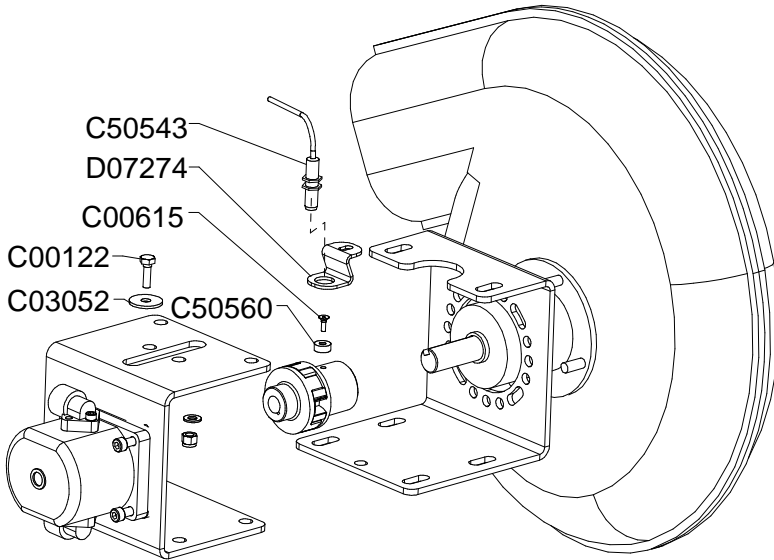
Verkabelung Boxen

Drawing Code: **K00A00974\_0**

Accessories:

N°	Code	Old.	Descrizione / Description	GB	FR	D	E
#	M80A00100	C00112	VITE TE 88 PG FT M6X25 ZINC UNI 5739	SCREW	VIS	SCHRAUBE	TORNILLO
#	M80A00120	C00132	VITE TE 88 PG FT M10X30 ZINC UNI 5739	SCREW	VIS	SCHRAUBE	TORNILLO
#	M80A00225	C00410	VITE TCEI PG M5X20 ZINC UNI5931	SCREW	VIS	SCHRAUBE	TORNILLO
#	M80A00268	C00547	VITE TBEI 8.8 M8X25 ISO 7380 ZINC TESTA BOMB	SCREW	VIS	SCHRAUBE	TORNILLO
#	M85A00072	C02601	DADO AUTOBLOC ALTO 8 M5 H=6.7 UNI 7473	NUT	BOULONS	NUT	DADO
#	M85A00073	C02602	DADO AUTOBLOC ALTO 8 M6 H=7.8 UNI 7473	NUT	BOULONS	NUT	DADO
#	M85A00075	C02603	DADO AUTOBLOC ALTO 8 M8 H=10.6 UNI 7473	NUT	BOULONS	NUT	DADO
#	M85A00077	C02604	DADO AUTOBLOC ALTO 8 M10 H=11.5 UNI 7473	NUT	BOULONS	NUT	DADO
#	M90A00003	C03002	RONDELLA PIANA D.6,4 DIN125-A ZINC.	WASHER	RONDELLE	UNTERLEGSCHLEIBE	ARANDELLA
#	M90A00005	C03003	RONDELLA PIANA D.8,4 DIN125-A ZINC.	WASHER	RONDELLE	UNTERLEGSCHLEIBE	ARANDELLA
#	M90A00007	C03004	RONDELLA PIANA D.10,5 DIN125-A ZINC.	WASHER	RONDELLE	UNTERLEGSCHLEIBE	ARANDELLA
#	E15A00084	C51017	FUSIBILE 60A (PS8000I)	FUSE	FUSIBLE	SCHMELZEINSATZ	FUSIBLE
#	MD5A00018	D06882	CAVALLOTTO QUADRO TUBO DA 40 M8	PIN	CAVALLIER	STIFT	CAVALLOTTI
#	C10A003511	D15827	PIEG. COPERCHIO SCATOLA MODULI AS4 RDS	BENT	PLIE	GEBOGEN	PLEGADO
#	C10A003512	D15829	PIEG. COPERCHIO SCATOLE RDS	BENT	PLIE	GEBOGEN	PLEGADO
#	C20A002793	E15819	CASSETTA CABLAGGIO MODULI AS4	BOX	BOITE	KASTEN	CAJITA
#	C20A002794	E15832	CASSETTO CABL AS2-AS3 /LITE PS8000	BOX	BOITE	KASTEN	CAJITA





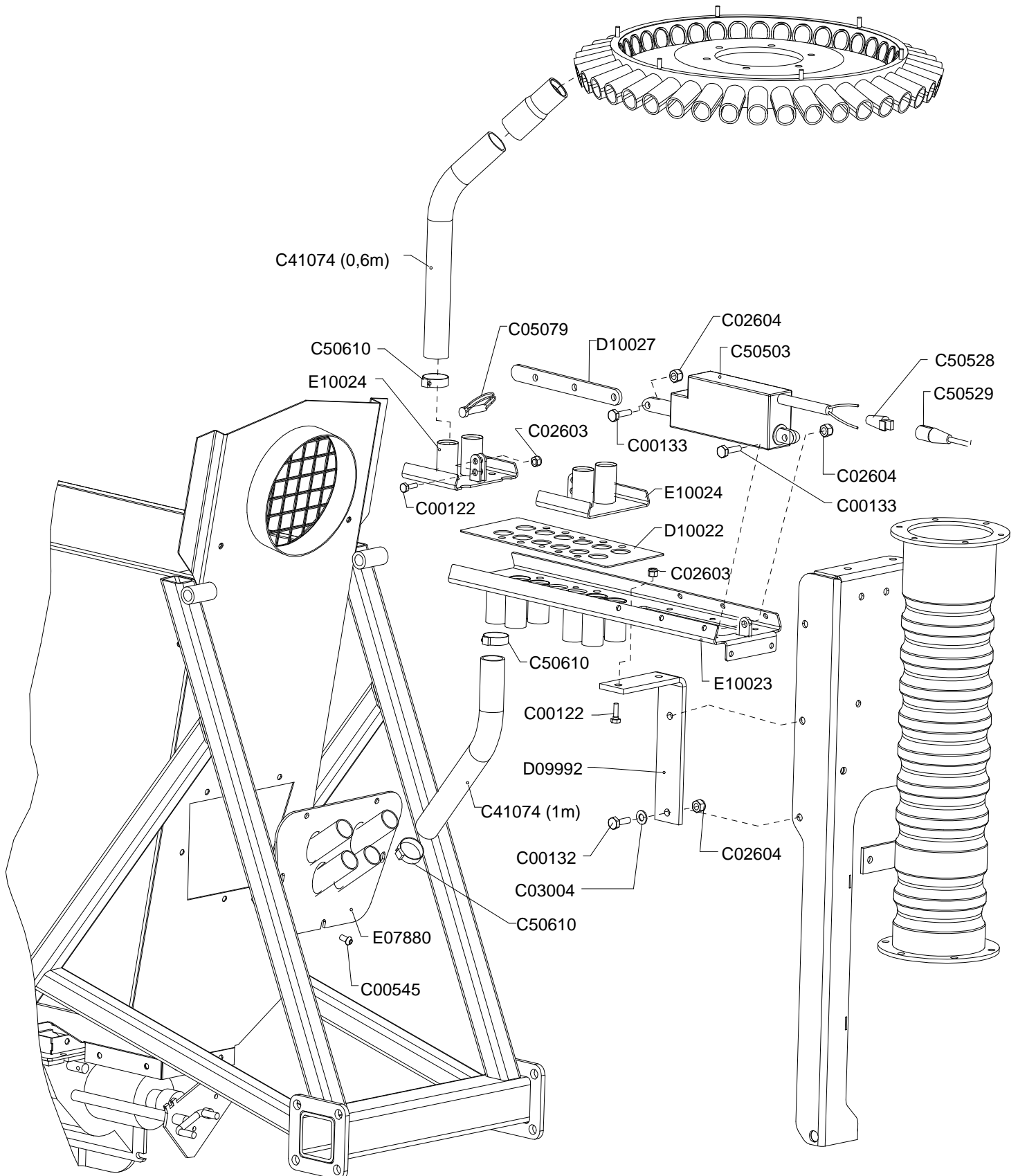


**Sensori**  
Sensors  
Capteur  
Tankreservemelder

Drawing Code: **K00A00975\_1**

Accessories:

N°	Code	Old.	Descrizione / Description	GB	FR	D	E
#	M80A00111	C00122	VITE TE 88 PG FT M8X25 ZINC UNI 5739	SCREW	VIS	SCHRAUBE	TORNILLO
#	M80A00274	C00615	VITE TSPEI 10.9 PG M4X16 ZINC UNI 5933	SCREW	VIS	SCHRAUBE	TORNILLO
#	M90A00027	C03052	RONDELLA PIANA d9xD32x2.5 UNI 6593 ZINC.	WASHER	RONDELLE	UNTERLEGSCHIBE	ARANDELLA
#	E10A00001	C50543	"SENSORE MAGNETICO ""RDS"" M12X48"	SENSOR	CAPTEUR	SENSOR	SENSOR
#	E15A00032	C50560	MAGNETE FERRITE D.20X10 D.I 4.5	MAGNET	AIMANT	MAGNET	IMÁN
#	E10A00056	C51019	"SENSORE CAPACITIVO ""RDS"" M26X80 (3 FILI-WIRES)"	SENSOR	CAPTEUR	SENSOR	SENSOR
#	C10A01918	D07274	STAFFA SENSORE VENTILAT SEP-400 PLUS	BRACKET	SUPPORT	BUEGEL	SOPORTE
#	C10A02683	D11366	STAFFETTA SENSORE GIRI ASPIRATORE AS3	BRACKET	SUPPORT	BUEGEL	SOPORTE
#	M79A00262		SUPPORTO REGOLABILE SENSORE DI LIVELLO	SUPPORT	SUPPORT	STUTZE	APOYO
#	C20A02474	R15004	SPORTELLO INFERIORE CHIUSURA SERBATOIO	DOOR	PORTE	TÜR	PUERTA
#	E15A00070	R15005	MAGNETE D.31X15	MAGNET	AIMANT	MAGNET	IMÁN





## Tramline alpetronic

Tramline alpetronic

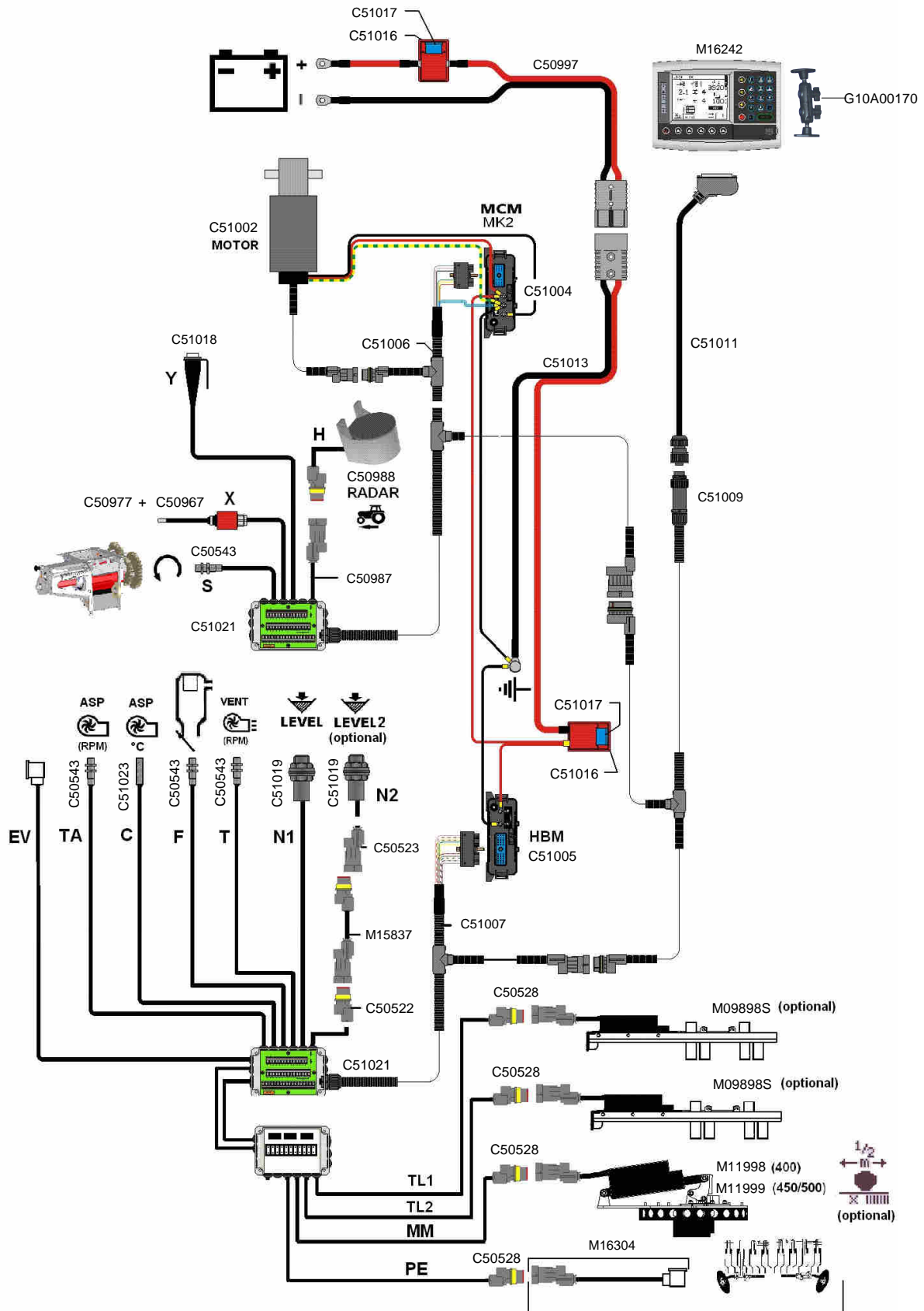
Tramline alpetronic

Fahrgassenschaltung alpetronic

Drawing Code: **100734\_0\_f3**

Accessories:

N°	Code	Old.	Descrizione / Description	GB	FR	D	E
#	M80A00111	C00122	VITE TE 88 PG FT M8X25 ZINC UNI 5739	SCREW	VIS	SCHRAUBE	TORNILLO
#	M80A00120	C00132	VITE TE 88 PG FT M10X30 ZINC UNI 5739	SCREW	VIS	SCHRAUBE	TORNILLO
#	M80A00121	C00133	VITE TE 88 PG FT M10X35 ZINC UNI 5739	SCREW	VIS	SCHRAUBE	TORNILLO
#	M80A00267	C00545	VITE TBEI 8.8 M8X16 ISO 7380 ZINC TESTA BOMBATA	SCREW	VIS	SCHRAUBE	TORNILLO
#	M85A00075	C02603	DADO AUTOBLOC ALTO 8 M8 H=10.6 UNI 7473	NUT	BOULONS	NUT	DADO
#	M85A00077	C02604	DADO AUTOBLOC ALTO 8 M10 H=11.5 UNI 7473	NUT	BOULONS	NUT	DADO
#	M90A00007	C03004	RONDELLA PIANA D.10,5 DIN125-A ZINC.	WASHER	RONDELLE	UNTERLEGSCHLEIBE	ARANDELLA
#	MB0A00100	C05079	SPINOTTO PER MOTOZAPPA D.10X38 UTILE	PIN	GOUPILLE	STIFT	PASADOR
#	P00A00010	C41074	TUBO PU SPIRALE - BLU - D.32 INT.	TUBE	TUBE	ROHR	TUBO
#	E05A00002	C50503	ATTUATORE LA12 700N CORSA 40 IP66 12V	ACTUATOR	ACTIONNEUR	TRIEB	ACTUADOR
#	E15A00013	C50528	CONNETTORE M. CONTATTI F. 2 POLI COMPL. AMP SUPERS	CONNECTOR	CONNECTEUR	VERBINDER	CONECTOR
#	E15A00014	C50529	CONNETTORE F. CONTATTI M. 2 POLI COMPL. AMP SUPERS	CONNECTOR	CONNECTEUR	VERBINDER	CONECTOR
#	MH5A00020	C50610	FASCETTA STRINGITUBO D 25-45 X 8.5 ZINC.	CLIP	RIVELSAN	BAND	BANDAS
#	C10A02453	D09992	STAFFA PORTA CASSETTO TRAM-LINE	BRACKET	SUPPORT	BUEGEL	SOPORTE
#	G05A00009	D10022	LARDONE NYLON 2MM CASSETTO TRAM-LINE	-	-	-	-
#	C05A06387	D10027	ASTA TRAM-LINE 24X6X194 3 FORI 10.3	ROD	POLE	STIFT	POLOS
#	C20A01391	E07880	COLLETORE RECUPERO SEME AS1	MANIFOLD	COLLECTEUR	SAMMELROHR	COLECCIONISMO
#	C20A01712	E10023	CASSETTO FISSO TRAM-LINE	BOX	BOITE	KASTEN	CAJITA
#	C20A01713	E10024	CASSETTO MOBILE TRAM-LINE	BOX	BOITE	KASTEN	CAJITA





**Schema elettrico Alpetronic Power**  
 Elettrical diagram Alpetronic Power  
 Installation électrique Alpetronic Power  
 Beleuchtung Alpetronic Power

Drawing Code: **K00A00973\_0**

Accessories:

N°	Code	Old.	Descrizione / Description	GB	FR	D	E
#	E15A00009	C50522	CONNETTORE M. CONTATTI F. 3 POLI COMPL. AMP SUPERS	CONNECTOR	CONNECTEUR	VERBINDER	CONECTOR
#	E15A00010	C50523	CONNETTORE F. CONTATTI M. 3 POLI COMPL. AMP SUPERS	CONNECTOR	CONNECTEUR	VERBINDER	CONECTOR
#	E15A00013	C50528	CONNETTORE M. CONTATTI F. 2 POLI COMPL. AMP SUPERS	CONNECTOR	CONNECTEUR	VERBINDER	CONECTOR
#	E10A00001	C50543	"SENSORE MAGNETICO ""RDS"" M12X48"	SENSOR	CAPTEUR	SENSOR	SENSOR
#	E00A00031	C50967	CAVO 5M CONNETTORE M12 DRITTO PER SENSORI	CABLE	CABLE	KABEL	CABLE
#	E10A00040	C50977	INTERRUT / FINECORSA ASTA FLESS CON CONET M12	SWITCH	INTERRUPTEUR	SCHALTER	INTERRUPTOR
#	E00A00094	C50987	"CAVO PER RADAR MK3 TGSS 24.125 GHZ"" RDS ""	CABLE	CABLE	KABEL	CABLE
#	E10A00053	C50988	RADAR MK3V TGSS 24.125 GHZ RDS	RADAR	RADAR	RADAR	RADAR
#	E00A00035	C50997	CAVO ALIMENTAZIONE PRO SERIES 8000 ARTEMIS (FUS)	CABLE	CABLE	KABEL	CABLE
#	E05A00017	C51002	MOTORE ELETRR COMPL ENCODER 12V-400W-40A-2700RPM (F	ENGINE	MOTEUR	MOTOR	MOTOR
#	E05A00019	C51004	"MODULO CAN - MCM (""MOT ELETTRICO"" PS8000I-LITE"	MODULE	MODULE	MODUL	MÓDULO
#	E05A00020	C51005	MODULO CAN-HBM PS8000I	MODULE	MODULE	MODUL	MÓDULO
#	E00A00095	C51006	CAVO DI CABLAGGIO X MODULO MCM (PS-8000I)	CABLE	CABLE	KABEL	CABLE
#	E00A00098	C51007	CAVO DI CABLAGGIO X MODULO HBM (PS-8000I)	CABLE	CABLE	KABEL	CABLE
#	E00A00099	C51009	CAVO DI CABL PRINCIP MODULI CAN-MONITOR (PS8000I)	CABLE	CABLE	KABEL	CABLE
#	E00A00096	C51011	CAVO MONITOR PS-8000I - CABLAGGIO	CABLE	CABLE	KABEL	CABLE
#	E00A00101	C51013	CAVO PROLUNGA ALIMENTAZIONE 5M PS8000I (NO FUS)	CABLE	CABLE	KABEL	CABLE
#	E15A00083	C51016	PORTA FUSIBILE PS8000I	DOOR	PORTE	TUER	PUERTA
#	E15A00084	C51017	FUSIBILE 60A (PS8000I)	FUSE	FUSIBLE	SCHMELZEINSATZ	FUSIBLE
#	E00A00104	C51018	INTERRUTTORE PROVA DI SEMINA (PS8000I -LITE)	SWITCH	INTERRUPTEUR	SCHALTER	INTERRUPTOR
#	E10A00056	C51019	"SENSORE CAPACITIVO ""RDS"" M26X80 (3 FILI-WIRES)"	SENSOR	CAPTEUR	SENSOR	SENSOR
#	E00A00105	C51021	CASSETTA CONNESSIONE SENSORI PS8000I	BOX	BOITE	KASTEN	CAJITA
#	E10A00062	C51023	"SONDA DI TEMPARATURA ""RDS""	PROBE	SONDE	SONDE	SONDA
#	G10A00170		"SUPPORTO MONITOR ""PSI-8000"" (""POWER"")	SUPPORT	SUPPORT	STUTZE	APOYO
#	M79A00121	M09898S	TRAM-LINE AS1/AS2 CASSETTO RDS	TRAM-LINE	TRAM-LINE	TRAM-LINE	TRAM-LINE
#	M79A00160	M11998	KIT FUNGO APD 32-130 MEZZA MACCHINA	KIT	KIT	KIT	KIT
#	M79A00161	M11999	KIT FUNGO APD 40-130 MEZZA MACCHINA	KIT	KIT	KIT	KIT
#	E00A00107	M15837	CAVO PROLUNGA L=8M 2? LIVELLO SEME RDS	CABLE	CABLE	KABEL	CABLE
#	E00A00110	M16242	MONITOR ALPETRONIC SOFTWARE RDS-POWER	MONITOR	MONITOR	MONITOR	MONITORES
#	E00A00114	M16304	"CAVO OPZ.TRAMLINE X ELETTRV DISCHI PRE-EMEREG ""RD	CABLE	CABLE	KABEL	CABLE

## Estensione tramoggia AS1

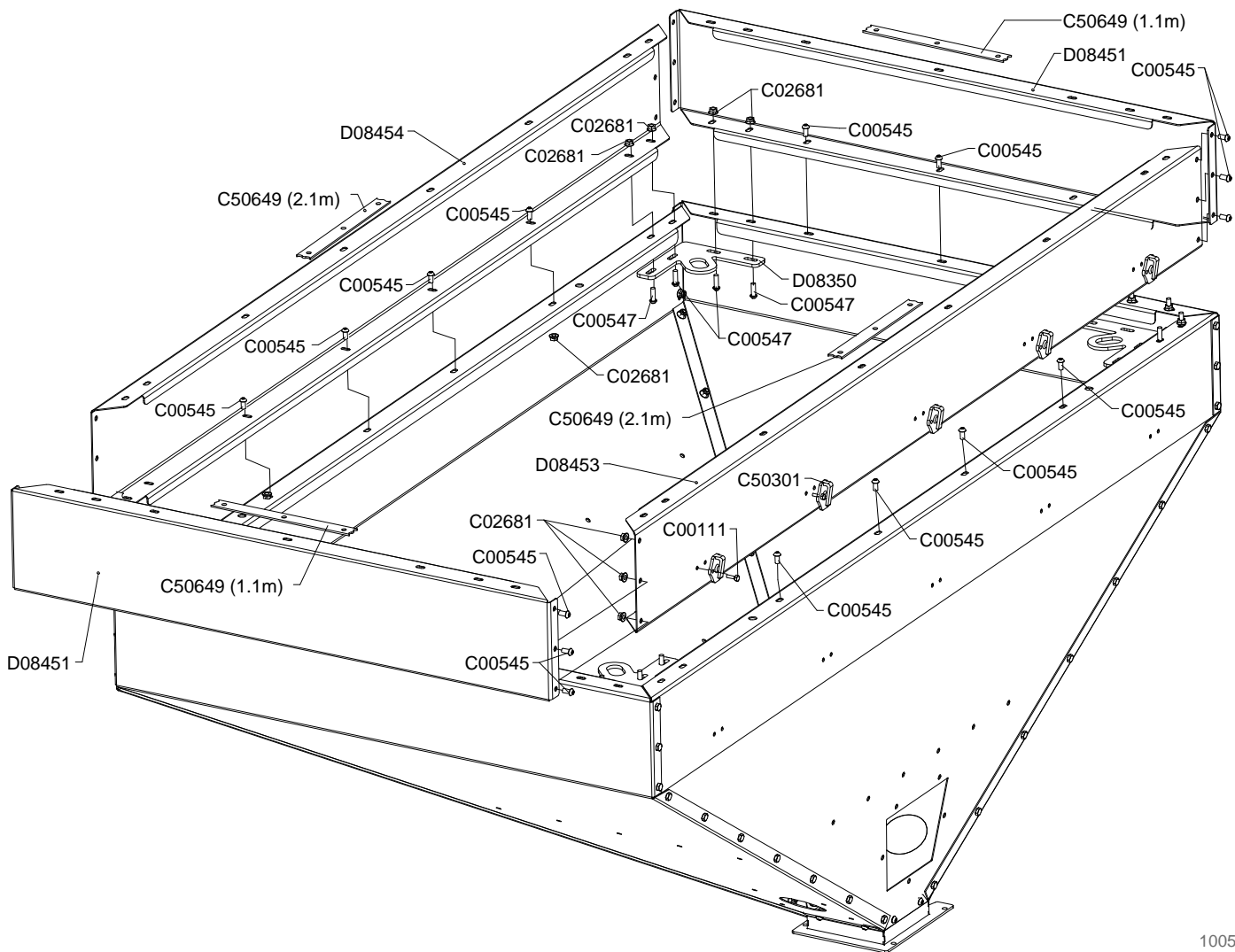
Hopper extension AS1

Extension tremie AS1

Tankaufsetz AS1

Drawing Code: **100534\_0**

Accessories: TCGA00073



100534\_00





## Estensione tramoggia AS1

Hopper extension AS1

Extension tremie AS1

Tankaufsetz AS1

Drawing Code:

**100534\_0**

Accessories:

TCGA00073

N°	Code	Old.	Descrizione / Description
#	M80A00098	C00111	VITE TE 88 PG FT M6X20 ZINC UNI 5739
#	M80A00267	C00545	VITE TBEI 8.8 M8X16 ISO 7380 ZINC TESTA BOMBATA
#	M80A00268	C00547	VITE TBEI 8.8 M8X25 ISO 7380 ZINC TESTA BOMB
#	M85A00096	C02681	DADO FLANGIATO ZIGRINATO 8 M8 DIN-6923
#	MH5A00002	C50301	GANCIO COBRA GRIGIO GRANDE 2fori i=30 M6
#	G10A00030	C50649	PIATTINA UN LATO ADESIVO 30 X 3 POLIETIE
#	C05A05898	D08350	SQUADRA RINFORZO sp6mm
#	C10A02195	D08451	PIEG. FIANCO ESTENSIONE TRAMOGGIA AS1
#	C10A02196	D08453	PIEG. POST ESTENSIONE TRAMOGGIA AS1
#	C10A02197	D08454	PIEG. ANT ESTENSIONE TRAMOGGIA AS1

GB	FR	D	E
SCREW	VIS	SCHRAUBE	TORNILLO
SCREW	VIS	SCHRAUBE	TORNILLO
SCREW	VIS	SCHRAUBE	TORNILLO
NUT	BOULONS	NUT	DADO
HOOK	ATTACHE	HAKEN	ENGANCHE
METAL STRAP	METAL DEPLOYE	BANDEISEN	PLATILLO
RIGHT-ANGLE JUNCTION	TEAM	RECHTWINKIGE VERBINDUNG	EQUIPO
BENT	PLIE	GEBOGEN	PLEGADO
BENT	PLIE	GEBOGEN	PLEGADO
BENT	PLIE	GEBOGEN	PLEGADO

### Kit Pettine e Ruota su rullo serie 3

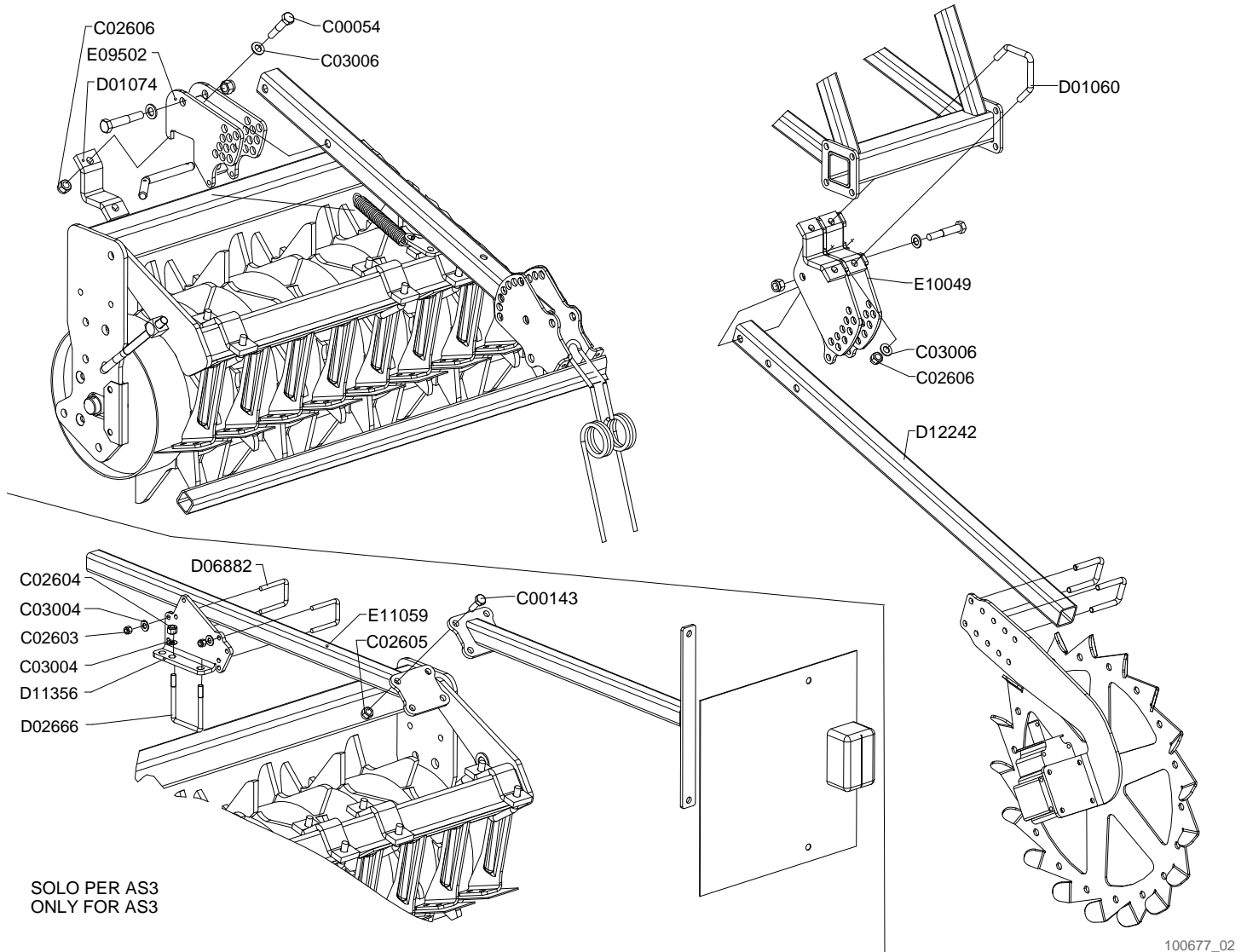
Kit Drill coulter+ wheel for 3 series roller

kit herse de recouvrementb + Roue pur roleau serie 3

Kit Saatstriegle + Übertragung rad pur walze serie 3

Drawing Code: **100677\_2**

Accessories: TCGA00078



100677\_02



### Kit Pettine e Ruota su rullo serie 3

Kit Drill coulter+ wheel for 3 series roller

kit herse de recouvrementb + Roue pur roleau serie 3

Kit Saatstriegle + Ubertragung rad pur walze serie 3

Drawing Code: **100677\_2**

Accessories: TCGA00078

N°	Code	Old.	Descrizione / Description
#	M80A00047	C00054	VITE TE 88 PG FP M14X70 ZINC UNI 5737
#	M80A00130	C00143	VITE TE 88 PG FT M12X35 ZINC UNI 5739
#	M85A00075	C02603	DADO AUTOBLOC ALTO 8 M8 H=10.6 UNI 7473
#	M85A00077	C02604	DADO AUTOBLOC ALTO 8 M10 H=11.5 UNI 7473
#	M85A00078	C02605	DADO AUTOBLOC ALTO 8 M12 H=14 UNI 7473
#	M85A00079	C02606	DADO AUTOBLOC ALTO 8 M14 H=16 UNI 7473
#	M90A00007	C03004	RONDELLA PIANA D.10,5 DIN125-A ZINC.
#	M90A00009	C03006	RONDELLA PIANA D.15 DIN125-A ZINC.
#	MD5A00003	D01060	CAVALLOTTO DIAGONALE M14 70X70
#	C10A01096	D01074	MORSETTO DIAGONALE 70X70***
#	MD5A00008	D02666	CAVALLOTTO QUADRO M10X70
#	MD5A00018	D06882	CAVALLOTTO QUADRO TUBO DA 40 M8
#	C10A02680	D11356	STAFFA TABELLE RULLI SERIE 3 E 4 SU AS2/3 SPAGLIO
#	C15A00657	D12242	TUBO QUADRO 50X50X4X1150 3FORI D.17
#	C20A01631	E09502	SNODO PETTINE AS2 SPAGLIO
#	C20A01716	E10049	SNODO RUOTA AS2/3 SPAGLIO
#	C20A01836	E11059	PROLUNGA FANALI AS3 SPAGLIO L=1000

GB	FR	D	E
SCREW	VIS	SCHRAUBE	TORNILLO
SCREW	VIS	SCHRAUBE	TORNILLO
NUT	BOULONS	NUT	DADO
NUT	BOULONS	NUT	DADO
NUT	BOULONS	NUT	DADO
NUT	BOULONS	NUT	DADO
WASHER	RONDELLE	UNTERLEGSSCHEIBE	ARANDELLA
WASHER	RONDELLE	UNTERLEGSSCHEIBE	ARANDELLA
PIN	CAVALLIER	STIFT	CAVALLOTTI
TERMINAL	TERMINAL	TERMINAL	TERMINALES
PIN	CAVALLIER	STIFT	CAVALLOTTI
PIN	CAVALLIER	STIFT	CAVALLOTTI
BRACKET	SUPPORT	BUEGEL	SOPORTE
TUBE	TUBE	ROHR	TUBO
JOINT	JOINT	GELENK	MIXTO
JOINT	JOINT	GELENK	MIXTO
EXTENSION	EXTENSION	VERLAENGERUNG	EXTENSIÓN

**Kit Pettine e Ruota su rullo serie 4**

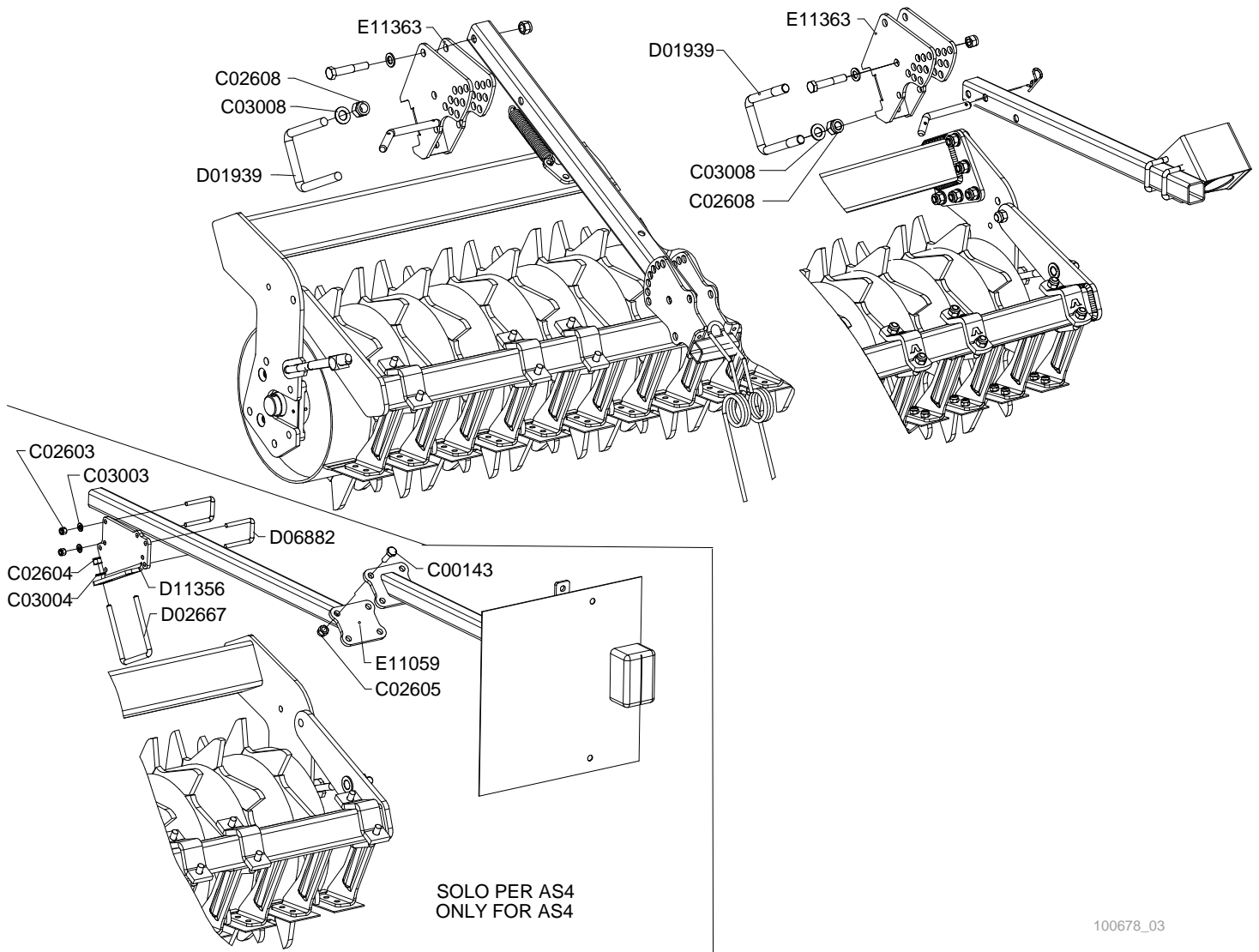
Kit Drill coulter+ wheel for 4 series roller

Kit herse de recouvrementb + Roue pur roleau serie 4

Kit Saatstriegle + Übertragung rad pur walze serie 4

Drawing Code: **100678\_3**

Accessories: TCGA00079



100678\_03



## Kit Pettine e Ruota su rullo serie 4

Kit Drill coulter+ wheel for 4 series roller

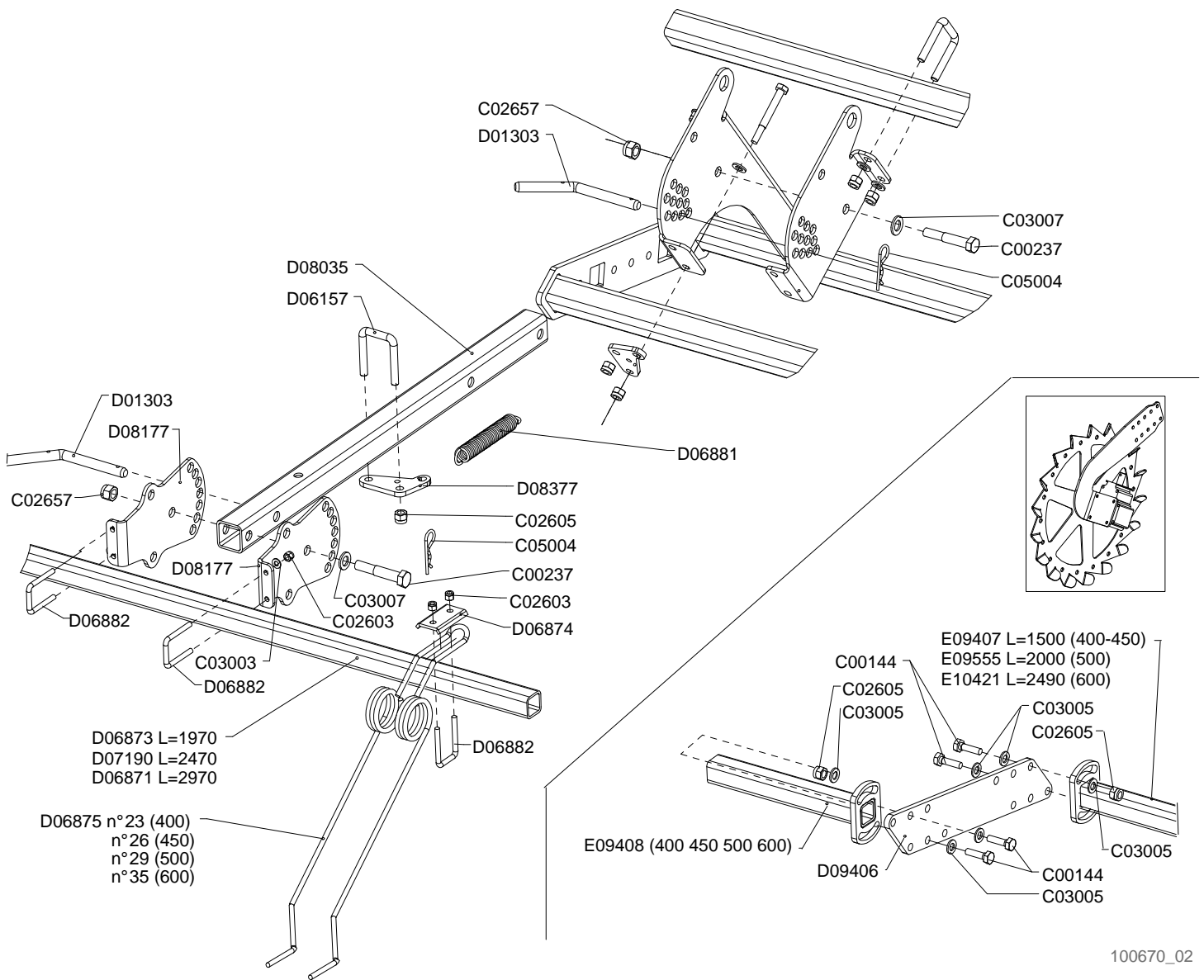
Kit herse de recouvrementb + Roue pur roleau serie 4

Kit Saatstriegle + Ubertragung rad pur walze serie 4

Drawing Code: **100678\_3**

Accessories: TCGA00079

N°	Code	Old.	Descrizione /Description	GB	FR	D	E
#	M80A00130	C00143	VITE TE 88 PG FT M12X35 ZINC UNI 5739	SCREW	VIS	SCHRAUBE	TORNILLO
#	M85A00075	C02603	DADO AUTOBLOC ALTO 8 M8 H=10.6 UNI 7473	NUT	BOULONS	NUT	DADO
#	M85A00077	C02604	DADO AUTOBLOC ALTO 8 M10 H=11.5 UNI 7473	NUT	BOULONS	NUT	DADO
#	M85A00078	C02605	DADO AUTOBLOC ALTO 8 M12 H=14 UNI 7473	NUT	BOULONS	NUT	DADO
#	M85A00081	C02608	DADO AUTOBLOC ALTO 8 M20 H=22 UNI 7473	NUT	BOULONS	NUT	DADO
#	M90A00005	C03003	RONDELLA PIANA D.8,4 DIN125-A ZINC.	WASHER	RONDELLE	UNTERLEGSCHIEBE	ARANDELLA
#	M90A00007	C03004	RONDELLA PIANA D.10,5 DIN125-A ZINC.	WASHER	RONDELLE	UNTERLEGSCHIEBE	ARANDELLA
#	M90A00011	C03008	RONDELLA PIANA D.21 DIN125-A ZINC.	WASHER	RONDELLE	UNTERLEGSCHIEBE	ARANDELLA
#	MD5A00005	D01939	CAVALLOTTO QUADRO M20X100X145	PIN	CAVALLIER	STIFT	CAVALLOTTI
#	MD5A00009	D02667	CAVALLOTTO QUADRO M10X100	PIN	CAVALLIER	STIFT	CAVALLOTTI
#	MD5A00018	D06882	CAVALLOTTO QUADRO TUBO DA 40 M8	PIN	CAVALLIER	STIFT	CAVALLOTTI
#	C10A02680	D11356	STAFFA TABELLE RULLI SERIE 3 E 4 SU AS2/3 SPAGLIO	BRACKET	SUPPORT	BUEGEL	SOPORTE
#	C20A01836	E11059	PROLUNGA FANALI AS3 SPAGLIO L=1000	EXTENSION	EXTENSION	VERLAENGERUNG	EXTENSIÓN
#	C20A01877	E11363	SUPPORTO SALD. PETTINE COPR. RULLO SERIE 4°	SUPPORT	SUPPORT	STUTZE	APOYO
#							
#							





## Pettine copriseme su pieghevoli

Drill coulter

Lame-herse de recouvrement

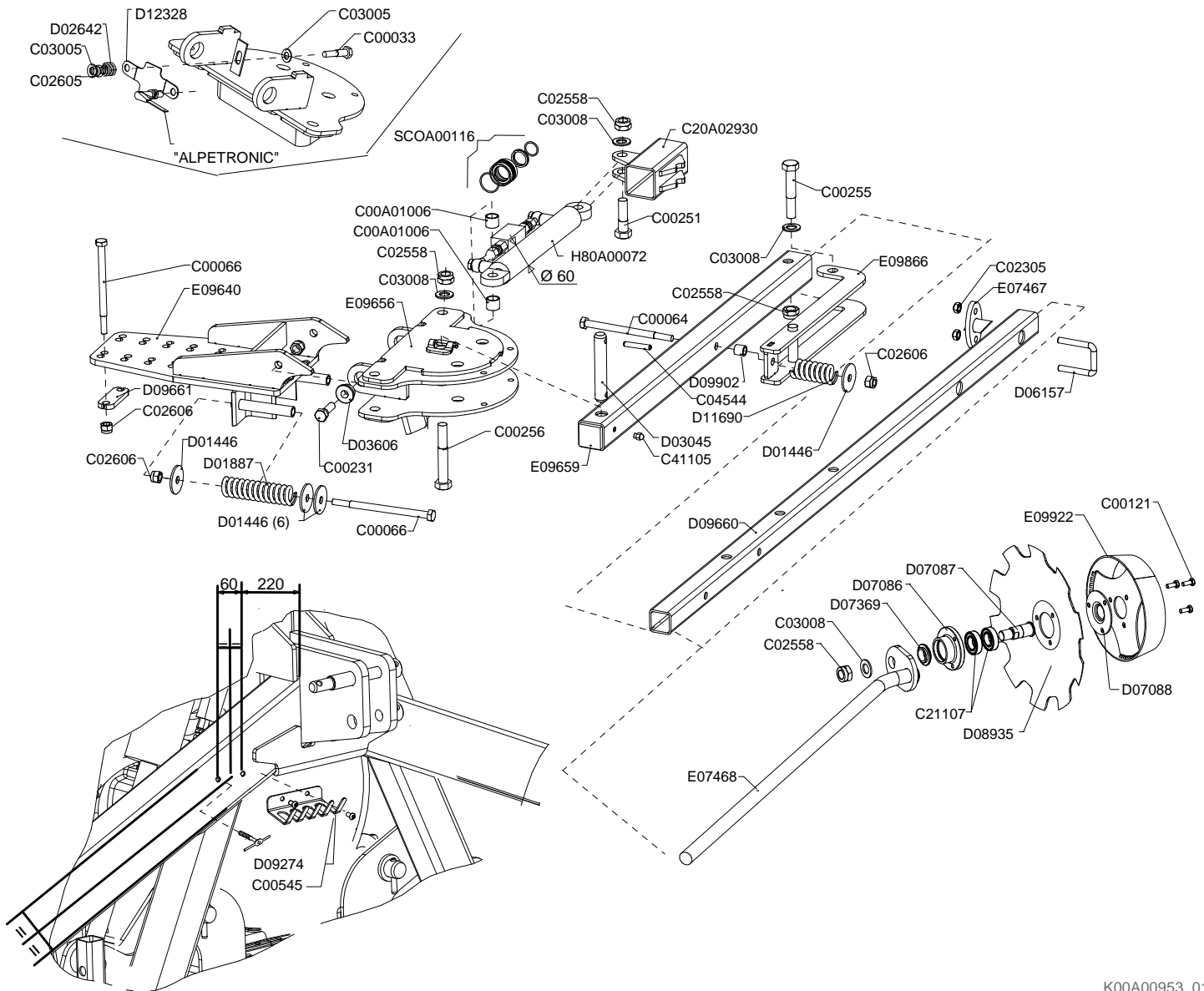
Saatstriegel

Drawing Code: **100670\_2**

Accessories: S70A00030 - S70A00031 - S70A00032 - S70A00033

N°	Code	Old.	Descrizione / Description	GB	FR	D	E
#	M80A00131	C00144	VITE TE 88 PG FT M12X40 ZINC UNI 5739	SCREW	VIS	SCHRAUBE	TORNILLO
#	M80A00186	C00237	VITE TE 88 PF FP M16X1,5X90 ZINC UNI 573	SCREW	VIS	SCHRAUBE	TORNILLO
#	M85A00075	C02603	DADO AUTOBLOC ALTO 8 M8 H=10.6 UNI 7473	NUT	BOULONS	NUT	DADO
#	M85A00078	C02605	DADO AUTOBLOC ALTO 8 M12 H=14 UNI 7473	NUT	BOULONS	NUT	DADO
#	M85A00089	C02657	DADO AUTOBLOC ALTO 8 M16X1,5 H=18 UNI 7473	NUT	BOULONS	NUT	DADO
#	M90A00005	C03003	RONDELLA PIANA D.8,4 DIN125-A ZINC.	WASHER	RONDELLE	UNTERLEGSCHLEIBE	ARANDELLA
#	M90A00008	C03005	RONDELLA PIANA D.13 DIN125-A ZINC.	WASHER	RONDELLE	UNTERLEGSCHLEIBE	ARANDELLA
#	M90A00010	C03007	RONDELLA PIANA D.17 DIN125-A ZINC.	WASHER	RONDELLE	UNTERLEGSCHLEIBE	ARANDELLA
#	MB0A00087	C05004	SPINA A MOLLA D.4	SOCKET	GOUPILLE	STECKER	PASADOR
#	M15A00014	D01303	PERNO D.16X200 UT.100 PIEGATO ZINC. ***	PIN	PIVOT	STIFT	PIN
#	MD5A00017	D06157	CAVALLOTTO QUADRO M12 T50X50X76	PIN	CAVALLIER	STIFT	CAVALLOTTI
#	C00A00244	D06871	TUBO BARRA ERPICE COPRIS L=2970	TUBE	TUBE	ROHR	TUBO
#	C00A00246	D06873	TUBO BARRA ERPICE COPRIS L=1970	TUBE	TUBE	ROHR	TUBO
#	C10A01845	D06874	PIASTRINA FISS. MOLLA ERPICE COPRISEME	METAL STRAP	METAL DEPLOYE	BANDEISEN	PLATILLO
#	MF5A00026	D06875	MOLLA COPRISEME L=630MM	SPRING	RESSORT	FEDER	MUELLE
#	MF5A00027	D06881	MOLLA TRAZIONE D=4 DE=27 L=180	SPRING	RESSORT	FEDER	MUELLE
#	MD5A00018	D06882	CAVALLOTTO QUADRO TUBO DA 40 M8	PIN	CAVALLIER	STIFT	CAVALLOTTI
#	C00A00252	D07190	TUBO BARRA ERPICE COPRIS L=2470	TUBE	TUBE	ROHR	TUBO
#	C15A00482	D08035	TUBO COPRISEME S1 50X50X4 L=880 ***	TUBE	TUBE	ROHR	TUBO
#	C10A02106	D08177	REGOLAZIONE PETTINE COPRISEME S1	REGISTER	REGULATEUR	REGLER	REGULADOR
#	C05A05911	D08377	SAG. AGGANCIO MOLLA COPRISEME SP. 8MM	SHAPED	FORME	VERFORMT	HUECAS
#	C05A06209	D09406	PIASTRA PROLUNGA PETTINE COPRISEME 10mm	PLATE	PLAQUE	PLATTE	PLACA
#	C20A01609	E09407	TUBO SALD. BARRA COPRISEME L=1500	TUBE	TUBE	ROHR	TUBO
#	C20A01610	E09408	TUBO SALD. BARRA COPRISEME L=310	TUBE	TUBE	ROHR	TUBO
#	C20A01645	E09555	TUBO SALD. BARRA COPRISEME L=2000	TUBE	TUBE	ROHR	TUBO
#	C20A01741	E10421	TUBO SALD. BARRA COPRISEME L=2490	TUBE	TUBE	ROHR	TUBO





K00A00953\_01



## Dischi segnafile (2012)

Row marker (2012)

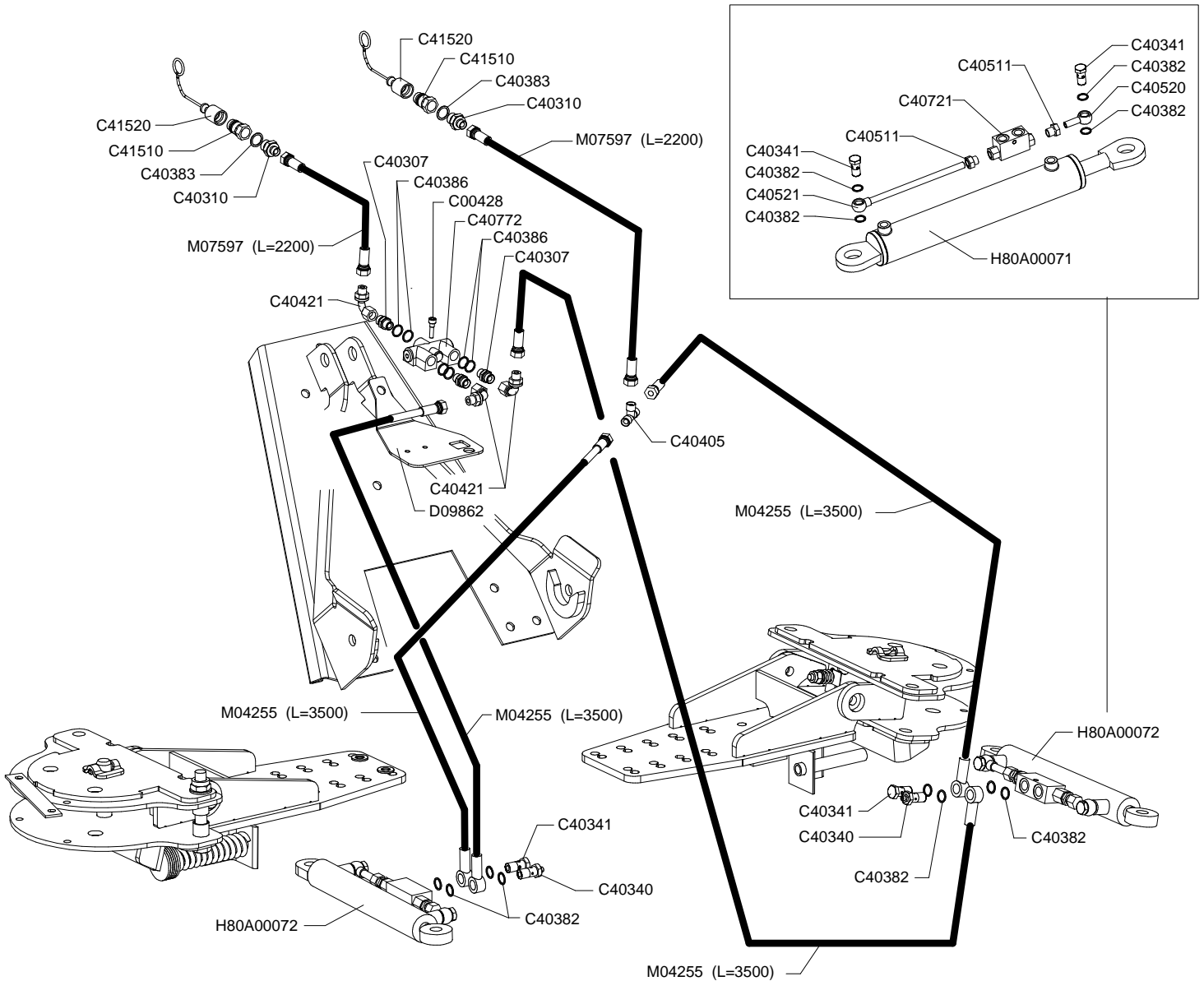
Traceur (2012)

Spurreber (2012)

Drawing Code: **K00A00953\_1**

Accessories: S85A00040

N°	Code	Old.	Descrizione / Description	GB	FR	D	E
#	M80A00030	C00033	VITE TE 88 PG FP M12X55 UNI 5737	SCREW	VIS	SCHRAUBE	TORNILLO
#	M80A00057	C00064	VITE TE 88 PG FP M14X180 ZINC UNI 5737	SCREW	VIS	SCHRAUBE	TORNILLO
#	M80A00059	C00066	VITE TE 88 PG FP M14X220 ZINC UNI 5737	SCREW	VIS	SCHRAUBE	TORNILLO
#	M80A00110	C00121	VITE TE 88 PG FT M8X20 ZINC UNI 5739	SCREW	VIS	SCHRAUBE	TORNILLO
#	M80A00180	C00231	VITE TE 88 PF FP M16X1,5X50 ZINC UNI 5738	SCREW	VIS	SCHRAUBE	TORNILLO
#	M80A00196	C00251	VITE TE 88 PF FP M20X1,5X70 ZINC UNI 573	SCREW	VIS	SCHRAUBE	TORNILLO
#	M80A00200	C00255	VITE TE 88 PF FP M20X1,5X110 ZINC UNI 57	SCREW	VIS	SCHRAUBE	TORNILLO
#	M80A00201	C00256	VITE TE 88 PF FP M20X1,5X130 ZINC UNI 57	SCREW	VIS	SCHRAUBE	TORNILLO
#	M80A00267	C00545	VITE TBEI 8.8 M8X16 ISO 7380 ZINC TESTA BOMBATA	SCREW	VIS	SCHRAUBE	TORNILLO
#	C00A01006		DIST. D.26,9 D.22,3 L.21	SPACER	ENTRETOISE	ABSTANDSTUECK	ESPACIADORES
#	M85A00050	C02305	DADO METALBLOC M12 X 1.75	NUT	BOULONS	NUT	DADO
#	M85A00066	C02558	DADO AUTOBLOC BASSO 8 PF M20X1,5 H=20 UNI 7474	NUT	BOULONS	NUT	DADO
#	M85A00078	C02605	DADO AUTOBLOC ALTO 8 M12 H=14 UNI 7473	NUT	BOULONS	NUT	DADO
#	M85A00079	C02606	DADO AUTOBLOC ALTO 8 M14 H=16 UNI 7473	NUT	BOULONS	NUT	DADO
#	M90A00008	C03005	RONDELLA PIANA D.13 DIN125-A ZINC.	WASHER	RONDELLE	UNTERLEGSCHIEBE	ARANDELLA
#	M90A00011	C03008	RONDELLA PIANA D.21 DIN125-A ZINC.	WASHER	RONDELLE	UNTERLEGSCHIEBE	ARANDELLA
#	MB0A00032	C04544	SPINA ELASTICA D.10X60	SOCKET	GOUPILLE	STECKER	PASADOR
#	C20A02930		LEVA CON GANCIO DISCHI AS2 / AS3 /AS4 VERS.2012	LEVER	LEVIER	HEBEL	LEVA
#	M20A00018	C21107	CUSCINETTO 6005 2RS 25X47X12	BEARING	ROULEMENT	KUGELLAGER	COJINETE
#	MJ5A00005	C41105	INGRASSATORE M10X1 DIRITTO	GREASE NIPPLE	GRAISSOR	FETTBUCHSE	ENGRASADOR
#	C05A03975	D01446	RONDELLA D.60X15X4 (RICAVATA DA SFRIDI)	WASHER	RONDELLE	UNTERLEGSCHIEBE	ARANDELLA
#	MF5A00012	D01887	MOLLA INFERIORE DF D.42X155XD.F8	SPRING	RESSORT	FEDER	MUELLE
#	MF5A00017	D02642	MOLLA DI.18 L.36 FILO D.3	SPRING	RESSORT	FEDER	MUELLE
#	M15A00035	D03045	PERNO D.25X112 U.2FORI D.10 ZINC	PIN	PIVOT	STIFT	PIN
#	C15A00279	D03606	BUSSOLA D32/40 D.16,5 L.18 CARBON+ZINC	BUSHING	ENTRETOISE	BUCHSE	BRUJULA
#	MD5A00017	D06157	CAVALLOTTO QUADRO M12 T50X50X76	PIN	CAVALLIER	STIFT	CAVALLOTTI
#	C15A00450	D07086	MOZZO ASSOLC DISCO DE 89 DI 47 L=34.8***	HUB	ESSIEU	NABE	MAZO
#	M15A00082	D07087	PERNO ASSOLCATORE A DISCO***	PIN	PIVOT	STIFT	PIN
#	C10A01865	D07088	COPERCHIO DISCO ASSOLCATORE	LID	COUVERCLE	DECKEL	TAPA
#	C15A00457	D07369	DISTANZIALE CUSCINETTI DISCO DI SEMINA	SPACER	ENTRETOISE	ABSTANDSTUECK	ESPACIADORES
#	MK0A00145	D08935	DISCO SEMINATRICE D.350 DENTATO SP 3.	DISC	DISQUE	SCHIEBE	DISCO
#	C10A02360	D09274	SUPPORTO 4 TUBI IDR 1/4 SP3MM	SUPPORT	SUPPORT	STUTZE	APOYO
#	C15A00566	D09660	TUBO QUADRO 50X50X4X1800 PROLUNGA***	TUBE	TUBE	ROHR	TUBO
#	C05A06286	D09661	STAFFA 2 FORI D.15 I=76 SP.10MM	BRACKET	SUPPORT	BUEGEL	SOPORTE
#	C00A00388	D09902	DIST. D.21.3 D.14.9 L.20	SPACER	ENTRETOISE	ABSTANDSTUECK	ESPACIADORES
#	MF5A00041	D11690	MOLLA ISO 10243 ROSSA R40-064 FILO 8,4X6,2	SPRING	RESSORT	FEDER	MUELLE
#	C10A02844	D12328	PIASTRINA ELASTICA PORTA SENSORE	METAL STRAP	METAL DEPLOYE	BANDEISEN	PLATILLO
#	C20A01333	E07467	CONTRASTO ESTENSIONE DISCHI SEGNAFILE	CONTRAST	CONTRASTE	CONTRAST	CONTRASTE
#	C20A01334	E07468	BRACCIO FINALE D.28 L=1064 DISCHI SEGNAF	ARM	BRAS	ARM	BRAZO
#	C20A01654	E09640	SUPPORTO SU ERPICE DISCO SEGNAFILE	SUPPORT	SUPPORT	STUTZE	APOYO
#	C20A01656	E09656	SNODO DISCHI SEGNAFILE DES/SINIS	JOINT	JOINT	GELENK	MIXTO
#	C20A01657	E09659	BRACCIO 60X1000 DISCO SEGNAFILE ***	ARM	BRAS	ARM	BRAZO
#	C20A01690	E09866	GANCIO SICUREZZA DISCHI SEGNAF AS2/3	HOOK	ATTACHE	HAKEN	ENGANCHE
#	C20A01696	E09922	CONO LIMIT. PRFONDITA' DISCO AS2-AS3	CONE	CONE	KEGEL-	CONO
#	H80A00072		CILINDRO IDR. 50/22/250 CON VALVOLA DI BLOCCO	CYLINDER	CYLINDRE	ZYLINDER	CILINDRICA
#	SCOA00116		SERIE GUARNIZIONI CIL. H80A00071 D.50 D.22	SERIES	SÉRIE	SERIE	SERIE



K00A00954\_00



## Impianto idraulico dischi segnafila (2012)

Row marker hydraulic system (2012)

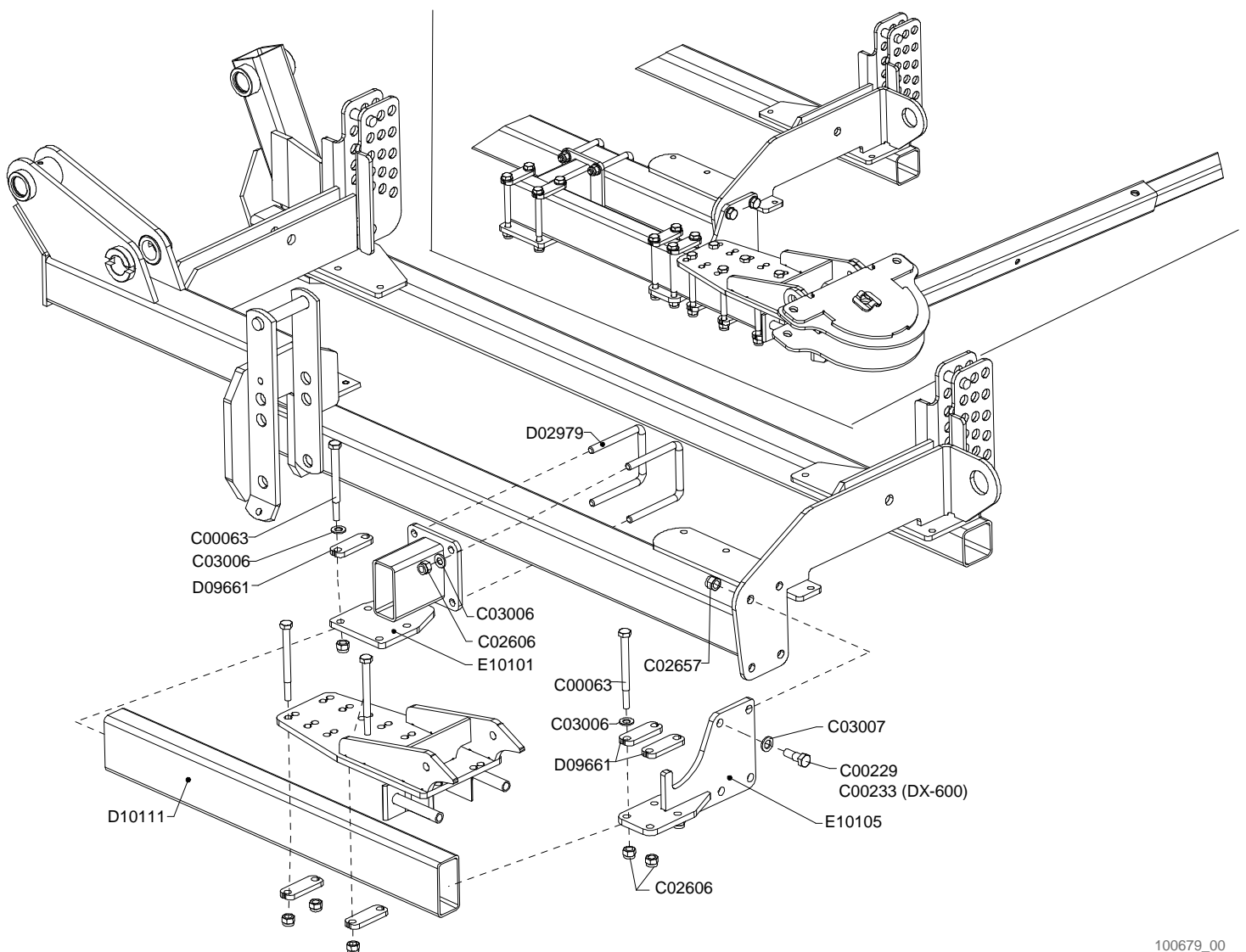
System Hydraulique Traceur (2012)

Spurreber (2012)

Drawing Code: **K00A00954\_0**

Accessories: S85A00040

N°	Code	Old.	Descrizione / Description	GB	FR	D	E
#	M80A00241	C00428	VITE TCEI PG M8X30 ZINC UNI 5931	SCREW	VIS	SCHRAUBE	TORNILLO
#	H35A00007	C40307	NIPLES RIDUZ. M18X1.5 / 3/8	NIPLES	NIPLES	NIPLES	NIPLES
#	H35A00010	C40310	NIPLES RIDUZ.1/2 3/8	NIPLES	NIPLES	NIPLES	NIPLES
#	H40A00001	C40340	VITE FORATA 3/8X31 CON STROZZATORE	SCREW	VIS	SCHRAUBE	TORNILLO
#	H40A00002	C40341	VITE FORATA 3/8X31	SCREW	VIS	SCHRAUBE	TORNILLO
#	H35A00042	C40382	RONDELLA RAME 3/8 D.17	WASHER	RONDELLE	UNTERLEGSCHIBE	ARANDELLA
#	H35A00043	C40383	RONDELLA RAME 1/2 D.21	WASHER	RONDELLE	UNTERLEGSCHIBE	ARANDELLA
#	H35A00046	C40386	RONDELLA RAME M18 D.19	WASHER	RONDELLE	UNTERLEGSCHIBE	ARANDELLA
#	H35A00059	C40405	"ADATTATORE ""T"" MASCHIO 3/8"	ADAPTER	ADAPTATEUR	ADAPTER	ADAPTADOR
#	H35A00075	C40421	CURVA 90° MF 3/8 GIRELLO	CURVE	COURBE	BOGEN	CURVO
#	H35A00096	C40511	NIPLES 3/8 CON OGIVA 12 TENUTA DIN 3852 FORMA E CON GU.	NIPLES	NIPLES	NIPLES	NIPLES
#	H35A00098	C40520	OCCHIO 3/8 CON TUBETTO D.12X40 ZINC.	EYE	ŒIL	AUGE	OJOS
#	H35A00099	C40521	OCCHIO 3/8 CON TUBETTO D.12X200 ZINC.	EYE	ŒIL	AUGE	OJOS
#	H70A00013	C40721	VALVOLA BLOCCO 3/8 VBPDE L=126 CORTA	VALVE	SOUPAPE	VENTIL	VALVULA
#	H70A00032	C40772	VALVOLA SCAMBIO DISCHI WV03 / 14-20 5N	VALVE	SOUPAPE	VENTIL	VALVULA
#	H50A00005	C41510	INNESTO RAPIDO MASCHIO ATT.1/2 F NV	COUPLING	ACCOUPLMENT	KUPPLUNG	COMPROMISO
#	G10A00002	C41520	TAPPO PROT.INNESTO RAPIDO 1/2 MASCHIO BLU	PLUG	BOUCHON	STOEPSSEL	ENCHUFE
#	C10A02428	D09862	PIEG. STAFFA VALVOLA DISCHI SEGN AS2-3	BENT	PLIE	GEBOGEN	PLEGADO
#	H80A00071		CILINDRO IDR. 50/22/250 DISCHI SEGNAFILA	CYLINDER	CYLINDRE	ZYLINDER	CILÍNDRICA
#	H80A00072		CILINDRO IDR. 50/22/250 CON VALVOLA DI BLOCCO	CYLINDER	CYLINDRE	ZYLINDER	CILÍNDRICA
#	H75A00020	M04255	"TUBO IDR OH3/8""-R1AT 1/4""X3500-FD3/8""	TUBE	TUBE	ROHR	TUBO
#	H75A00060	M07597	"TUBO IDR FD3/8""-R1AT 1/4""X2200-FD3/8""	TUBE	TUBE	ROHR	TUBO



100679\_00



## Kit adattamento dischi segnafile su DX

Kit adaptator row marker for DX

Kit adaptation traceur pou DX

Kit adapter Spurreiaeyer

Drawing Code:

**100679\_0**

Accessories:

TCGA00062

N°	Code	Old.	Descrizione / Description
#	M80A00056	C00063	VITE TE 88 PG FP M14X160 ZINC UNI 5737
#	M80A00179	C00229	VITE TE 10.9 M16X1,5X45 ZINC F25
#	M80A00182	C00233	VITE TE 88 PF FP M16X1,5X60 ZINC UNI 573
#	M85A00079	C02606	DADO AUTOBLOC ALTO 8 M14 H=16 UNI 7473
#	M85A00089	C02657	DADO AUTOBLOC ALTO 8 M16X1,5 H=18 UNI 7473
#	M90A00009	C03006	RONDELLA PIANA D.15 DIN125-A ZINC.
#	M90A00010	C03007	RONDELLA PIANA D.17 DIN125-A ZINC.
#	MD5A00010	D02979	CAVALLOTTO QUADRO M14 T100X100X135
#	C05A06286	D09661	STAFFA 2 FORI D.15 l=76 SP.10MM
#	C00A00403	D10111	TUBO 120x60x5 L=925 ESTENS. DISCHI DX
#	C20A01724	E10101	SUPP. TUBO SCORR.ESTENS DISCHI DX
#	C20A01725	E10105	SUPP. FISSO TUBO SCORR.ESTENS DISCHI DX

GB	FR	D	E
SCREW	VIS	SCHRAUBE	TORNILLO
SCREW	VIS	SCHRAUBE	TORNILLO
SCREW	VIS	SCHRAUBE	TORNILLO
NUT	BOULONS	NUT	DADO
NUT	BOULONS	NUT	DADO
WASHER	RONDELLE	UNTERLEGSCHIEBE	ARANDELLA
WASHER	RONDELLE	UNTERLEGSCHIEBE	ARANDELLA
PIN	CAVALLIER	STIFT	CAVALLOTTI
BRACKET	SUPPORT	BUEGEL	SOPORTE
TUBE	TUBE	ROHR	TUBO
SUPPORT	SUPPORT	STUTZE	APOYO
SUPPORT	SUPPORT	STUTZE	APOYO

## Componenti dispositivo esclusione semina idraulico

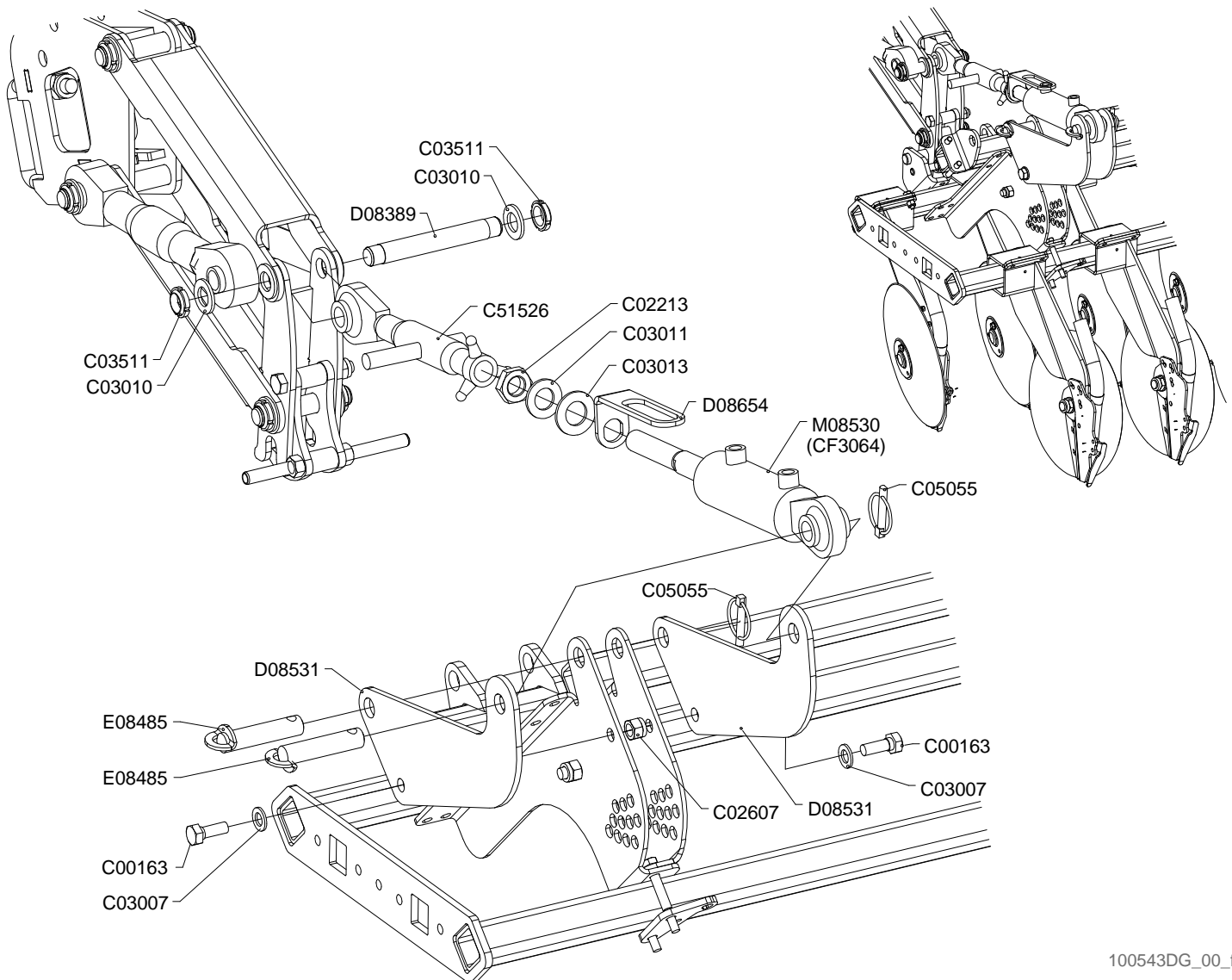
Hydr. tilting of toolbar components

Elements Revealage hydraulique de la barre desemis

Hydr. aufhangung der scharshiene

Drawing Code: **100543DG\_0\_f1**

Accessories: SA5A00056



100543DG\_00\_f1





## Componenti dispositivo esclusione semina idraulico

Hydr. tilting of toolbar components

Elements Revealage hydraulique de la barre desemis

Hydr. aufhangung der scharshiene

Drawing Code: **100543DG\_0\_f1**

Accessories: SA5A00056

N°	Code	Old.	Descrizione / Description	GB	FR	D	E
#	M80A00149	C00163	VITE TE 88 PG FT M16X40 ZINC UNI 5739	SCREW	VIS	SCHRAUBE	TORNILLO
#	M85A00048	C02213	DADO BASSO 8 PG M27X3 UNI5589 ZINC	NUT	BOULONS	NUT	DADO
#	M85A00080	C02607	DADO AUTOBLOC ALTO 8 M16 H=18 UNI 7473	NUT	BOULONS	NUT	DADO
#	M90A00010	C03007	RONDELLA PIANA D.17 DIN125-A ZINC.	WASHER	RONDELLE	UNTERLEGSCHLEIBE	ARANDELLA
#	M90A00013	C03010	RONDELLA PIANA D.25 DIN125-A ZINC.	WASHER	RONDELLE	UNTERLEGSCHLEIBE	ARANDELLA
#	M90A00014	C03011	RONDELLA PIANA D.28 DIN125-A ZINC.	WASHER	RONDELLE	UNTERLEGSCHLEIBE	ARANDELLA
#	M90A00016	C03013	RONDELLA PIANA D.31 DIN 125-A ZINC.	WASHER	RONDELLE	UNTERLEGSCHLEIBE	ARANDELLA
#	M95A00002	C03511	GHIERA AUTOBLOC.BASSA GUK M25X1,5	METAL RING	RONDELLE	METALL-RING	RUEDA
#	MB0A00096	C05055	SPINA A SCATTO D.10 CON TIRANTE IN GOMMA	SOCKET	GOUPILLE	STECKER	PASADOR
#	ME0A00008	C51526	TIRANTE D.25,4 M27X3 L=340/460	TIE ROD	TIRANT	ZUGSTANGE	TIRANTE
#	M15A00100	D08389	PERNO D.25X152 UT. ESTR. M25X1,5 ZINC.	PIN	PIVOT	STIFT	PIN
#	C05A05958	D08531	SAG. SUPP. CILINDRO ESCL. SEM. AS1 8MM	SHAPED	FORME	VERFORMT	HUECAS
#	C10A02235	D08654	STAFFA ANTIROTAZIONE CIL. ESCL. AS1	BRACKET	SUPPORT	BUEGEL	SOPORTE
#	M15A00178	E08485	PERNO ROND.25X85 UT.FORO D.12 ZINC***	PIN	PIVOT	STIFT	PIN
#	H80A00034	M08530	CILINDRO D.60 C.80 S.30 FILETT. M27X3	CYLINDER	CYLINDRE	ZYLINDER	CILÍNDRICA



**Dispositivo esclusione semina idraulico**

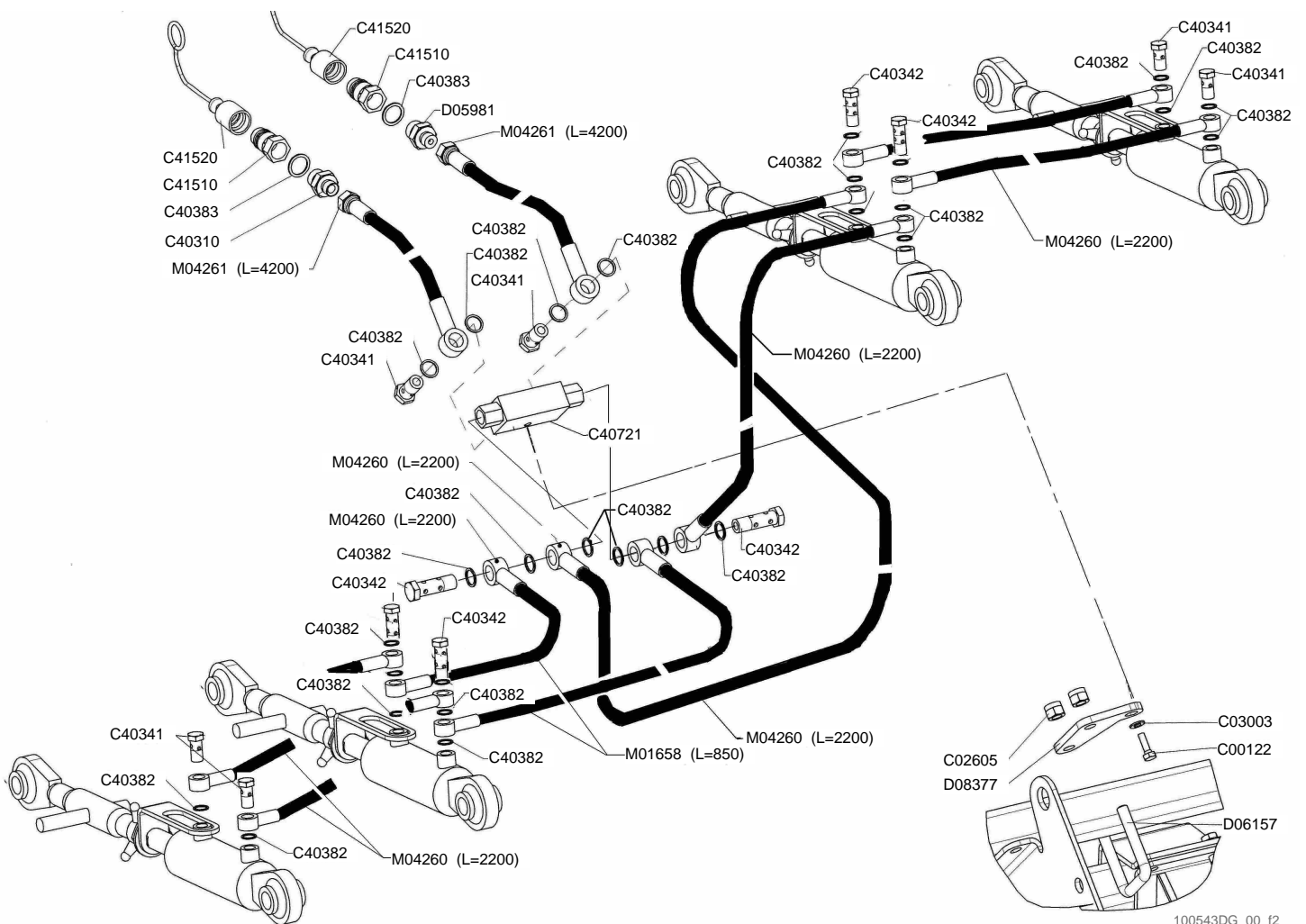
Hydr. tilting of toolbar

Revelage hydraulique de la barre desemis

Hydr. aufhangung der scharshiene

Drawing Code: **100543DG\_0\_f2**

Accessories: SA5A00056



**Copyright © 2009 Alpego s.p.a. ®**

Tutti i diritti sono riservati. È vietata espressamente la ristampa o l'uso non autorizzato senza permesso scritto dalla Alpego s.p.a.  
 Tous droits réservés. Toute réimpression ou utilisation non autorisée sans la permission écrite de la Alpego s.p.a. est formellement interdite  
 Alle Rechte vorbehalten. Nachdruck, Vervielfältigung und Verbreitung, auch auszugsweise, ist ohne schriftliche Genehmigung der Alpego s.p.a.  
 All rights reserved. Any reprinting or unauthorized use without the written permission of Alpego s.p.a. is expressly prohibited  
 Todos los derechos reservados. Toda reproducción o uso no autorizado sin el consentimiento escrito de Alpego s.p.a. quedan expresamente prohibidos

06/06/2014

100543DG\_00\_f2



## Dispositivo esclusione semina idraulico

Hydr. tilting of toolbar

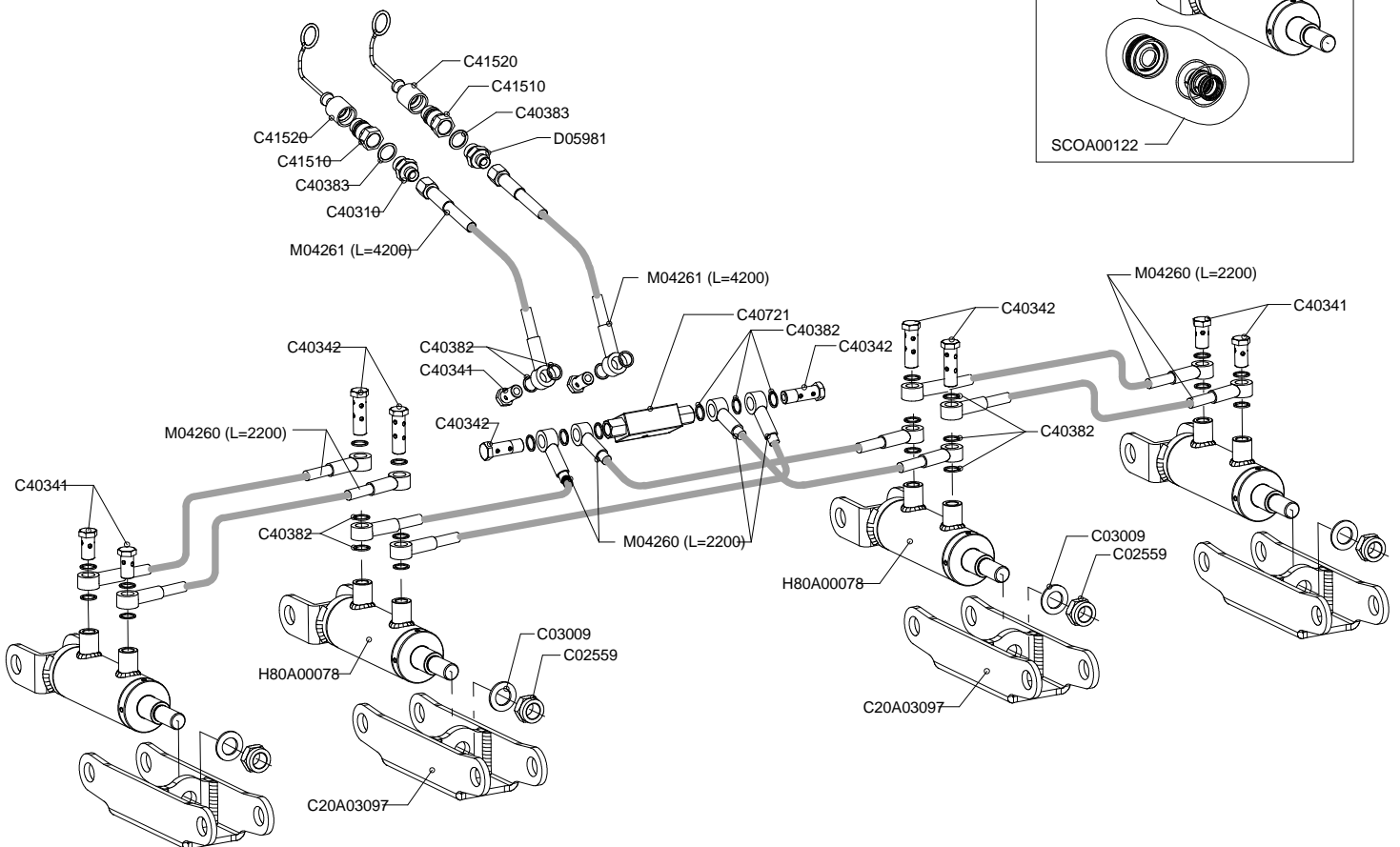
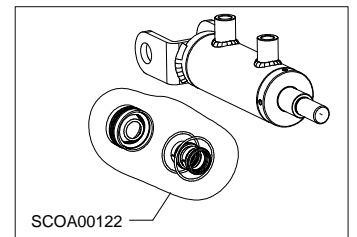
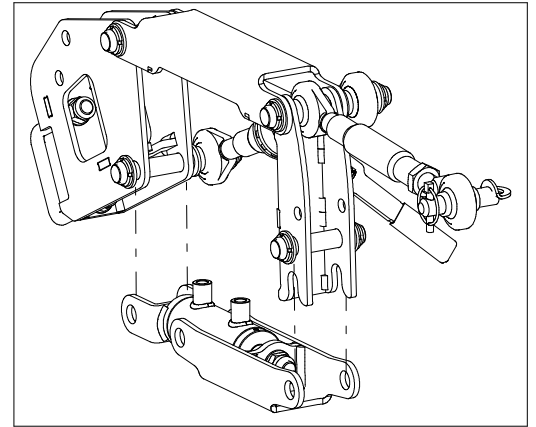
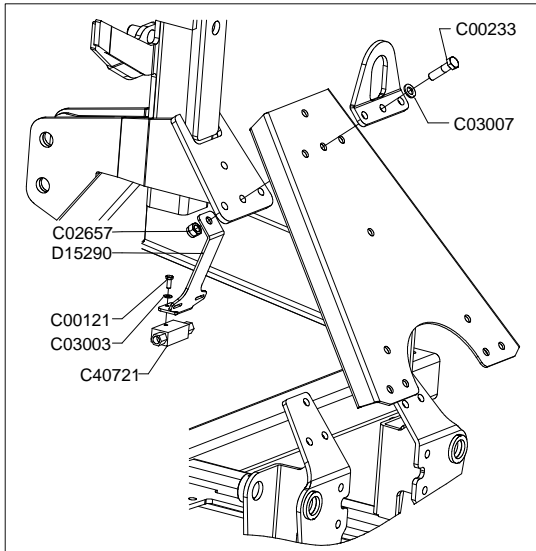
Revelage hydraulique de la barre desemis

Hydr. aufhangung der scharshiene

Drawing Code: **100543DG\_0\_f2**

Accessories: SA5A00056

N°	Code	Old.	Descrizione / Description	GB	FR	D	E
#	M80A00111	C00122	VITE TE 88 PG FT M8X25 ZINC UNI 5739	SCREW	VIS	SCHRAUBE	TORNILLO
#	M85A00078	C02605	DADO AUTOBLOC ALTO 8 M12 H=14 UNI 7473	NUT	BOULONS	NUT	DADO
#	M90A00005	C03003	RONDELLA PIANA D.8,4 DIN125-A ZINC.	WASHER	RONDELLE	UNTERLEGSCHLEIBE	ARANDELLA
#	H35A00010	C40310	NIPLES RIDUZ.1/2 3/8	NIPLES	NIPLES	NIPLES	NIPLES
#	H40A00002	C40341	VITE FORATA 3/8X31	SCREW	VIS	SCHRAUBE	TORNILLO
#	H40A00003	C40342	VITE FORATA DOPPIA 3/8X49	SCREW	VIS	SCHRAUBE	TORNILLO
#	H35A00042	C40382	RONDELLA RAME 3/8 D.17	WASHER	RONDELLE	UNTERLEGSCHLEIBE	ARANDELLA
#	H35A00043	C40383	RONDELLA RAME 1/2 D.21	WASHER	RONDELLE	UNTERLEGSCHLEIBE	ARANDELLA
#	H70A00013	C40721	VALVOLA BLOCCO 3/8 VBPDE L=126 CORTA	VALVE	SOUPAPE	VENTIL	VALVULA
#	H50A00005	C41510	INNESTO RAPIDO MASCHIO ATT. 1/2 F NV	COUPLING	ACCOUPEMENT	KUPPLUNG	COMPROMISO
#	G10A00002	C41520	TAPPO PROT.INNESTO RAPIDO 1/2 MASCHIO BLU	PLUG	BOUCHON	STOEPSSEL	ENCHUFE
#	H35A00115	D05981	NIPLES RIDUZIONE 1/2 3/8 CON FORO D.1,6	NIPLES	NIPLES	NIPLES	NIPLES
#	MD5A00017	D06157	CAVALLOTTO QUADRO M12 T50X50X76	PIN	CAVALLIER	STIFT	CAVALLOTTI
#	C05A005911	D08377	SAG. AGGANCIO MOLLA COPRISEME SP. 8MM	SHAPED	FORME	VERFORMT	HUECAS
#	H75A00003	M01658	"TUBO IDR OH3/8"-R1AT 1/4"X850-OH3/8"	TUBE	TUBE	ROHR	TUBO
#	H75A00023	M04260	"TUBO IDR OH3/8"-R1AT 1/4"X2200-OH3/8"	TUBE	TUBE	ROHR	TUBO
#	H75A00024	M04261	"TUBO IDR OH3/8"-R1AT 1/4"X4200-FD3/8"	TUBE	TUBE	ROHR	TUBO





## Dispositivo esclusione barra di semina pieghevole 2014

Hydr. tilting of folding sowing bars 2014

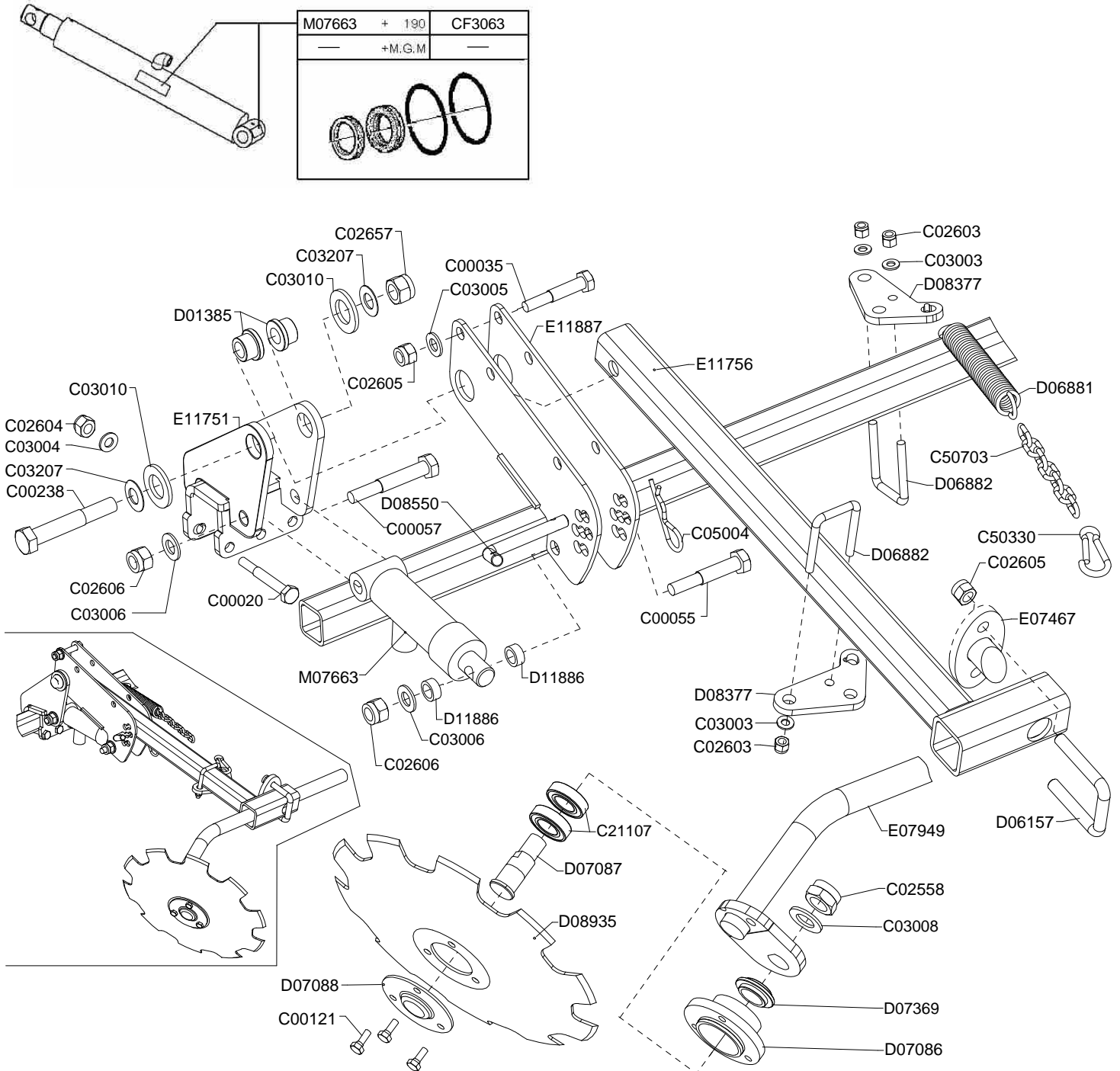
Revelage hydraulique de la barre desemis plieuses 2014

Hydr. aufhangung der scharshiene 2014

Drawing Code: **K00A01109\_0**

Accessories: SA5A00072

N°	Code	Old.	Descrizione / Description	GB	FR	D	E
#	M80A00110	C00121	VITE TE 88 PG FT M8X20 ZINC UNI 5739	SCREW	VIS	SCHRAUBE	TORNILLO
#	M80A00182	C00233	VITE TE 88 PF FP M16X1,5X60 ZINC UNI 573	SCREW	VIS	SCHRAUBE	TORNILLO
#	M85A00067	C02559	DADO AUTOBLOC BASSO 8 PF M22X1,5 H=22 UNI 7474	NUT	BOULONS	NUT	DADO
#	M85A00089	C02657	DADO AUTOBLOC ALTO 8 M16X1,5 H=18 UNI 7473	NUT	BOULONS	NUT	DADO
#	M90A00005	C03003	RONDELLA PIANA D.8,4 DIN125-A ZINC.	WASHER	RONDELLE	UNTERLEGSCHLEIBE	ARANDELLA
#	M90A00010	C03007	RONDELLA PIANA D.17 DIN125-A ZINC.	WASHER	RONDELLE	UNTERLEGSCHLEIBE	ARANDELLA
#	M90A00012	C03009	RONDELLA PIANA D.23 DIN125-A ZINC	WASHER	RONDELLE	UNTERLEGSCHLEIBE	ARANDELLA
#	C20A03097		BRACCIO ESCLUSIONE IDR. BARRA DI SEMINA	ARM	BRAS	ARM	BRAZO
#	H35A00010	C40310	NIPLES RIDUZ.1/2 3/8	NIPLES	NIPLES	NIPLES	NIPLES
#	H40A00002	C40341	VITE FORATA 3/8X31	SCREW	VIS	SCHRAUBE	TORNILLO
#	H40A00003	C40342	VITE FORATA DOPPIA 3/8X49	SCREW	VIS	SCHRAUBE	TORNILLO
#	H35A00042	C40382	RONDELLA RAME 3/8 D.17	WASHER	RONDELLE	UNTERLEGSCHLEIBE	ARANDELLA
#	H35A00043	C40383	RONDELLA RAME 1/2 D.21	WASHER	RONDELLE	UNTERLEGSCHLEIBE	ARANDELLA
#	H70A00013	C40721	VALVOLA BLOCCO 3/8 VBPDE L=126 CORTA	VALVE	SOUPAPE	VENTIL	VALVULA
#	H50A00005	C41510	INNESTO RAPIDO MASCHIO ATT.1/2 F NV	COUPLING	ACCOUPLMENT	KUPPLUNG	COMPROMISO
#	G10A00002	C41520	TAPPO PROT.INNESTO RAPIDO 1/2 MASCHIO BLU	PLUG	BOUCHON	STOEPSSEL	ENCHUFE
#	H35A00115	D05981	NIPLES RIDUZIONE 1/2 3/8 CON FORO D.1,6	NIPLES	NIPLES	NIPLES	NIPLES
#	C10A03392	D15290	STAFFA VALVOLE DIVIS + BLOCCO DX SP 5MM	BRACKET	SUPPORT	BUEGEL	SOPORTE
#	H80A00078		CILINDRO IDR. 70/30 C.50 ESCLUSIONE BARRA	CYLINDER	CYLINDRE	ZYLINDER	CILÍNDRICA
#	H75A00023	M04260	"TUBO IDR OH3/8"-R1AT 1/4""X2200-OH3/8""	TUBE	TUBE	ROHR	TUBO
#	H75A00024	M04261	"TUBO IDR OH3/8"-R1AT 1/4""X4200-FD3/8""	TUBE	TUBE	ROHR	TUBO
#	SCOA00122		SERIE GUARNIZIONI CIL. H80A00078 D.60 D.30	SERIES	SÉRIE	SERIE	SERIE



K00A00958\_00





## Dischi tracciasentieri preemergenza (2012)

Preemergency markers (2012)

Marqueurs de preemergency (2012)

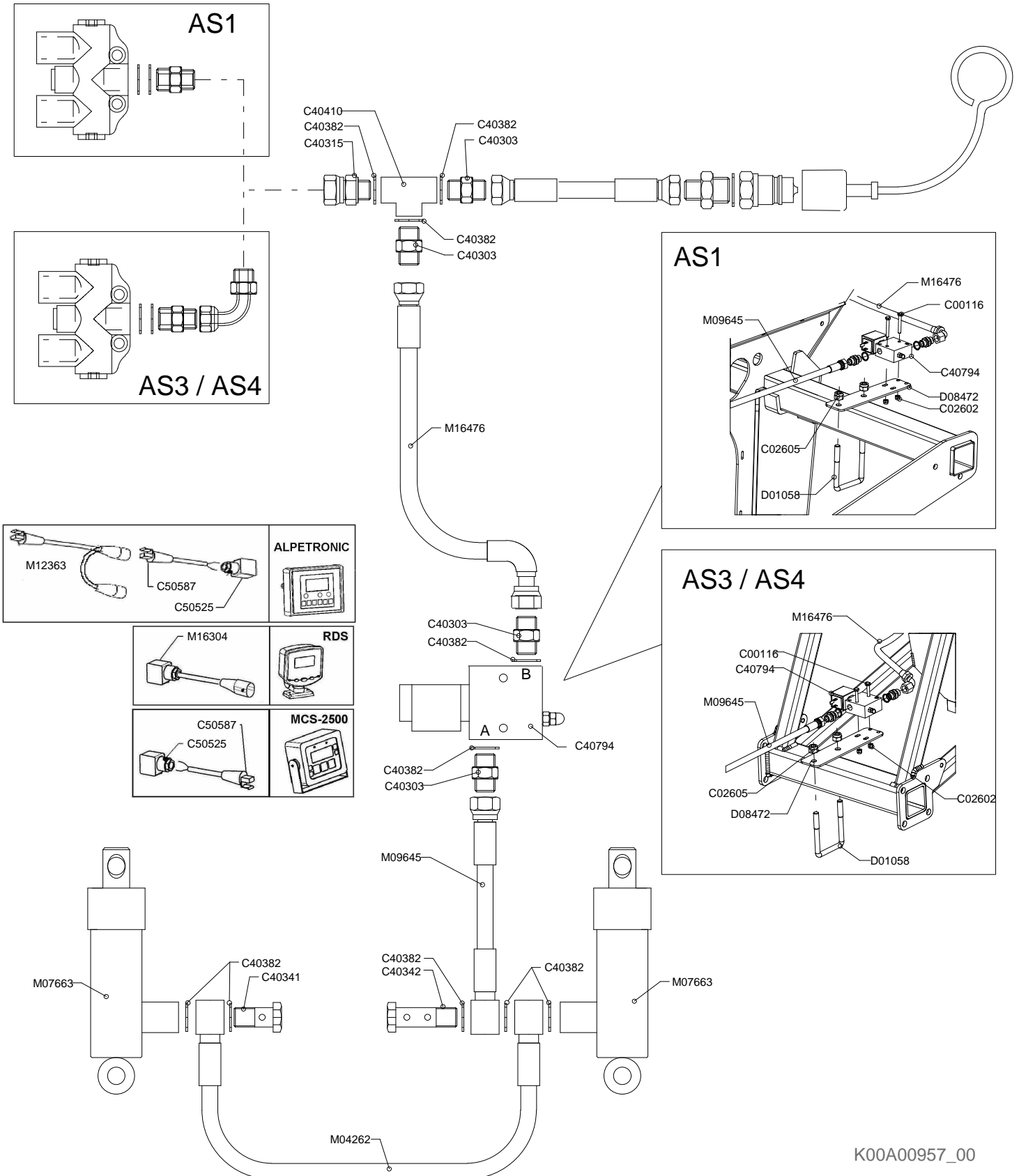
Vorauslaufmarkkierer (2012)

Drawing Code: **K00A00958\_0**

Accessories: S85A00051

N°	Code	Old.	Descrizione / Description	GB	FR	D	E
#	M80A00017	C00020	VITE TE 88 PG FP M10X80 ZINC UNI 5737	SCREW	VIS	SCHRAUBE	TORNILLO
#	M80A00032	C00035	VITE TE 88 PG FP M12X70 ZINC UNI 5737	SCREW	VIS	SCHRAUBE	TORNILLO
#	M80A00048	C00055	VITE TE 88 PG FP M14X80 ZINC UNI 5737	SCREW	VIS	SCHRAUBE	TORNILLO
#	M80A00050	C00057	VITE TE 88 PG FP M14X90 ZINC UNI 5737	SCREW	VIS	SCHRAUBE	TORNILLO
#	M80A00110	C00121	VITE TE 88 PG FT M8X20 ZINC UNI 5739	SCREW	VIS	SCHRAUBE	TORNILLO
#	M80A00187	C00238	VITE TE 88 PF FP M16X1,5X100 ZINC UNI 57	SCREW	VIS	SCHRAUBE	TORNILLO
#	M85A00066	C02558	DADO AUTOBLOC BASSO 8 PF M20X1,5 H=20 UNI 7474	NUT	BOULONS	NUT	DADO
#	M85A00075	C02603	DADO AUTOBLOC ALTO 8 M8 H=10.6 UNI 7473	NUT	BOULONS	NUT	DADO
#	M85A00077	C02604	DADO AUTOBLOC ALTO 8 M10 H=11.5 UNI 7473	NUT	BOULONS	NUT	DADO
#	M85A00078	C02605	DADO AUTOBLOC ALTO 8 M12 H=14 UNI 7473	NUT	BOULONS	NUT	DADO
#	M85A00079	C02606	DADO AUTOBLOC ALTO 8 M14 H=16 UNI 7473	NUT	BOULONS	NUT	DADO
#	M85A00089	C02657	DADO AUTOBLOC ALTO 8 M16X1,5 H=18 UNI 7473	NUT	BOULONS	NUT	DADO
#	M90A00005	C03003	RONDELLA PIANA D.8,4 DIN125-A ZINC.	WASHER	RONDELLE	UNTERLEGSCHLEIBE	ARANDELLA
#	M90A00007	C03004	RONDELLA PIANA D.10,5 DIN125-A ZINC.	WASHER	RONDELLE	UNTERLEGSCHLEIBE	ARANDELLA
#	M90A00008	C03005	RONDELLA PIANA D.13 DIN125-A ZINC.	WASHER	RONDELLE	UNTERLEGSCHLEIBE	ARANDELLA
#	M90A00009	C03006	RONDELLA PIANA D.15 DIN125-A ZINC.	WASHER	RONDELLE	UNTERLEGSCHLEIBE	ARANDELLA
#	M90A00011	C03008	RONDELLA PIANA D.21 DIN125-A ZINC.	WASHER	RONDELLE	UNTERLEGSCHLEIBE	ARANDELLA
#	M90A00013	C03010	RONDELLA PIANA D.25 DIN125-A ZINC.	WASHER	RONDELLE	UNTERLEGSCHLEIBE	ARANDELLA
#	M90A00053	C03207	DISCO ELAST. D.16,3X31.5X1.75 ZINC+DEIDR DIN 2093	DISC	DISQUE	SCHLEIBE	DISCO
#	MB0A00087	C05004	SPINA A MOLLA D.4	SOCKET	GOUPILLE	STECKER	PASADOR
#	M20A00018	C21107	CUSCINETTO 6005 2RS 25X47X12	BEARING	ROULEMENT	KUGELLAGER	COJINETE
#	MH5A00006	C50330	MOSCHETTONE POMPIERE 6X60 35 KG. ZINC.	SPRING CATCH	MOUSQUETONS	KARABINERHACKEN	MOSQUETONES
#	MH0A00002	C50703	CATENA GENOVESE 4,4X30X17,5 (NR.20) ZINC.	CHAIN	CHAINE	KETTE	CADENA
#	SCOA00068	CF3063	SERIE GUARNIZIONI CIL. M07663 D.32 D.22	SERIES	SÉRIE	SERIE	SERIE
#	C15A00062	D01385	BUSSOLA D25/32 D.16,5 L.18,5 CARBON+ZINC	BUSHING	ENTRETOISE	BUCHSE	BRUJULA
#	MD5A00017	D06157	CAVALLOTTO QUADRO M12 T50X50X76	PIN	CAVALLIER	STIFT	CAVALLOTTI
#	MF5A00027	D06881	MOLLA TRAZIONE D=4 DE=27 L=180	SPRING	RESSORT	FEDER	MUELLE
#	MD5A00018	D06882	CAVALLOTTO QUADRO TUBO DA 40 M8	PIN	CAVALLIER	STIFT	CAVALLOTTI
#	C15A00450	D07086	MOZZO ASSOLC DISCO DE 89 DI 47 L=34.8***	HUB	ESSIEU	NABE	MAZO
#	M15A00082	D07087	PERNO ASSOLCATORE A DISCO***	PIN	PIVOT	STIFT	PIN
#	C10A01865	D07088	COPERCHIO DISCO ASSOLCATORE	LID	COUVERCLE	DECKEL	TAPA
#	C15A00457	D07369	DISTANZIALE CUSCINETTI DISCO DI SEMINA	SPACER	ENTRETOISE	ABSTANDSTUECK	ESPACIADORES
#	C05A05911	D08377	SAG. AGGANCIO MOLLA COPRISEME SP. 8MM	SHAPED	FORME	VERFORMT	HUECAS
#	M15A00105	D08550	PERNO D.12X85 FORO D.5 PIEGATO ***	PIN	PIVOT	STIFT	PIN
#	MK0A00145	D08935	DISCO SEMINATRICE D.350 DENTATO SP 3.	DISC	DISQUE	SCHLEIBE	DISCO
#	C00A00519	D11886	DIST. D.21.3 D.14.9 L.9	SPACER	ENTRETOISE	ABSTANDSTUECK	ESPACIADORES
#	C20A01333	E07467	CONTRASTO ESTENSIONE DISCHI SEGNAFILA	CONTRAST	CONTRASTE	CONTRAST	CONTRASTE
#	C20A01404	E07949	PROLUNGA COMPL DISCO TRAMLINE AIRSPEED	EXTENSION	EXTENSION	VERLAENGERUNG	EXTENSIÓN
#	C20A01919	E11751	STAFFA BRACCIO DISCO TRAM-LINE SU PETTINE	BRACKET	SUPPORT	BUEGEL	SOPORTE
#	C20A01920	E11756	BRACCIO PORTA DISCO TRAM-LINE SU PETTINE	ARM	BRAS	ARM	BRAZO
#	C20A01928	E11887	SUPPORTO BRACCIO DISCO TRAM-LINE SU PETTINE	SUPPORT	SUPPORT	STUTZE	APOYO
#	H80A00025	M07663	CILINDRO IDR.TUFFANTE 32/22/50 TRAMLINE	CYLINDER	CYLINDRE	ZYLINDER	CILÍNDRICA







## Impianto idraulico dischi pre emergenza (2012)

Markers - Hydr. Systeme (2012)

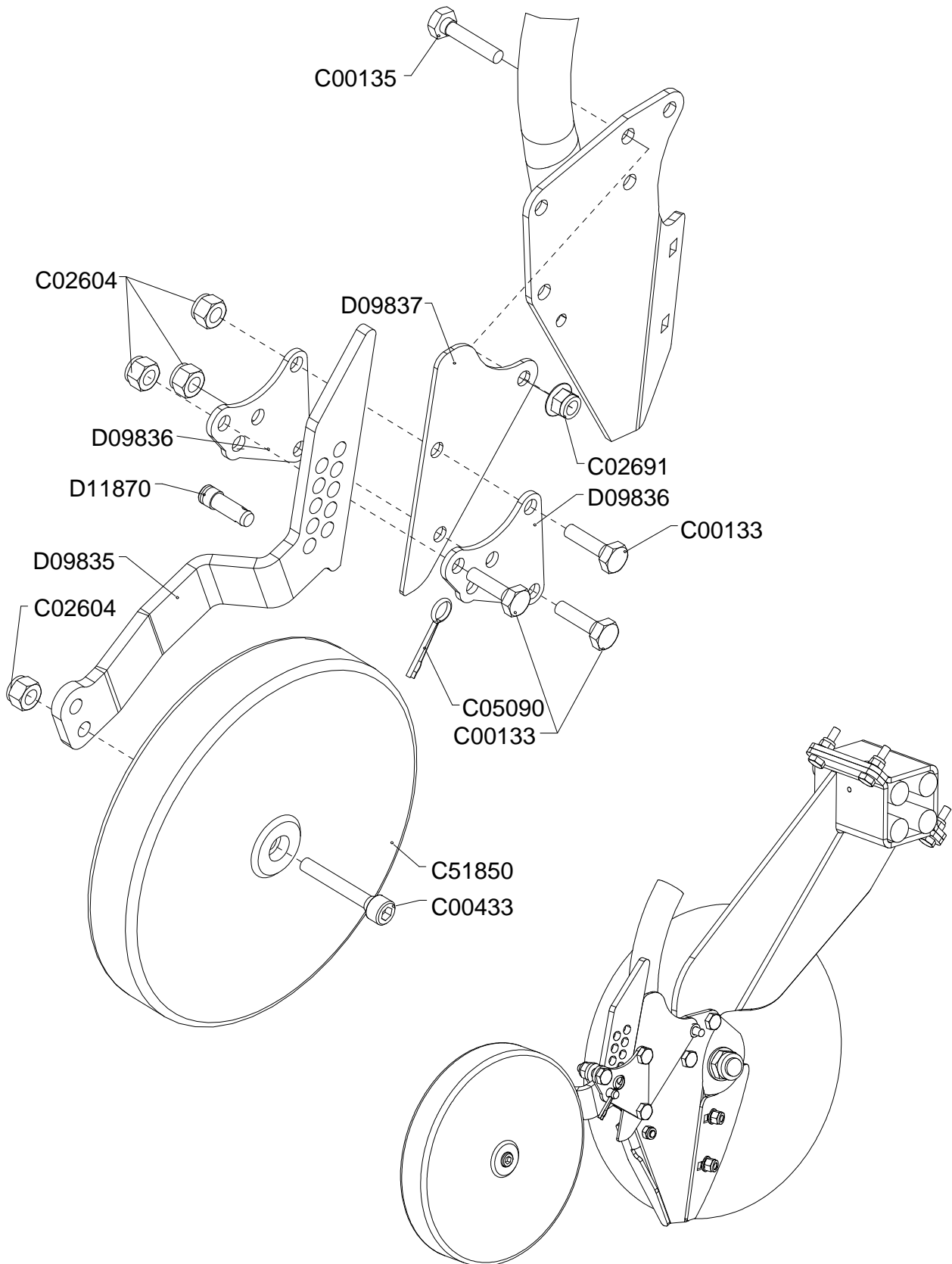
Installation Hydraulique marqueus discques (2012)

Markierehydraulik (2012)

Drawing Code: **K00A00957\_0**

Accessories: S85A00051

N°	Code	Old.	Descrizione / Description	GB	FR	D	E
#	M80A00106	C00116	VITE TE 88 PG FT M6X45 ZINC UNI 5739	SCREW	VIS	SCHRAUBE	TORNILLO
#	M85A00073	C02602	DADO AUTOBLOC ALTO 8 M6 H=7.8 UNI 7473	NUT	BOULONS	NUT	DADO
#	M85A00078	C02605	DADO AUTOBLOC ALTO 8 M12 H=14 UNI 7473	NUT	BOULONS	NUT	DADO
#	H35A00003	C40303	NIPLES 3/8 3/8	NIPLES	NIPLES	NIPLES	NIPLES
#	H35A00015	C40315	NIPLES DI CONGIUNZIONE MF 3/8 GIREVOLE	NIPLES	NIPLES	NIPLES	NIPLES
#	H40A00002	C40341	VITE FORATA 3/8X31	SCREW	VIS	SCHRAUBE	TORNILLO
#	H40A00003	C40342	VITE FORATA DOPPIA 3/8X49	SCREW	VIS	SCHRAUBE	TORNILLO
#	H35A00042	C40382	RONDELLA RAME 3/8 D.17	WASHER	RONDELLE	UNTERLEGSCHIEBE	ARANDELLA
#	H35A00064	C40410	"ADATTATORE ""T"" FEMMINA 3/8"	ADAPTER	ADAPTATEUR	ADAPTER	ADAPTADOR
#	H70A00044	C40794	"ELETTR.VALV DI RITEGNO 2 VIE-3/8"" NC 20 L/MIN"	ELETTROVALVE	ELETTROVALVE	ELEKTROVENTIL	ELETTROVALVOLA
#	E15A00011	C50525	CONNETTORE FEMMINA BG9 NERO DIN43650-A	CONNECTOR	CONNECTEUR	VERBINDER	CONECTOR
#	E00A00010	C50587	CAVO OPZ.TRAMLINE MCS2500 3 VIE	CABLE	CABLE	KABEL	CABLE
#	MD5A00001	D01058	CAVALLOTTO QUADRO M12 T70x70x105	PIN	CAVALLIER	STIFT	CAVALLOTTI
#	C10A02201	D08472	STAFFA VALVOLA TRAMLINE AIRSPEED sp4mm	BRACKET	SUPPORT	BUEGEL	SOPORTE
#	H75A00025	M04262	"TUBO IDR OH3/8""-R1AT 1/4""X4400-OH3/8""	TUBE	TUBE	ROHR	TUBO
#	H80A00025	M07663	CILINDRO IDR.TUFFANTE 32/22/50 TRAMLINE	CYLINDER	CYLINDRE	ZYLINDER	CILÍNDRICA
#	H75A00080	M09645	"TUBO IDR OH3/8""-R1AT 1/4""X3950-FD3/8"	TUBE	TUBE	ROHR	TUBO
#	E00A00069	M12363	CAVO ADATT. S31082-S31147 SU LINAK	CABLE	CABLE	KABEL	CABLE
#	E00A00114	M16304	"CAVO OPZ.TRAMLINE X ELETTROV DISCHI PRE-EMEREG ""RD"	CABLE	CABLE	KABEL	CABLE
#	H75A00112	M16476	"TUBO IDR F903/8""-R1A 3/8""X1500-FD3/8""	TUBE	TUBE	ROHR	TUBO





**Ruota limitatore di profondita 3 vers.**

Wheel to limit depth coulter 3 vers.

Roue plombeuses pour disque 3 vers.

Radtiefe begrenzer 3 vers.

Drawing Code:

**100617\_3**

Accessories:

S75A00035

N°	Code	Old.	Descrizione /Description
#	M80A00121	C00133	VITE TE 88 PG FT M10X35 ZINC UNI 5739
#	M80A00123	C00135	VITE TE 88 PG FT M10X45 ZINC UNI 5739
#	M80A00246	C00433	VITE TCEI PG M10x60 ZINC UNI 5931
#	M85A00077	C02604	DADO AUTOBLOC ALTO 8 M10 H=11.5 UNI 7473
#	M85A00097	C02691	DADO AUTOBLOC FLANGIATO NORM 8 M10 DIN-6926
#	MB5A00027	C05090	COPPIGLIA A FORCELLA 3X1.5
#	M00A00014	C51850	RUOTA SEMIPNEUMATICA 250X42 FARMFLEX
#	C10A02424	D09835	SUPPORTO RUOTA OTICO 3? VESIONE
#	C05A06323	D09836	STAFFA REG.SUPP.RUOTA OTICO 3?VER sp4mm
#	C05A06324	D09837	STAFFA RIF RUOTA OTICO 3? vers sp3mm
#	M15A00137	D11870	PERNO D.10X20 UTILE

GB	FR	D	E
SCREW	VIS	SCHRAUBE	TORNILLO
SCREW	VIS	SCHRAUBE	TORNILLO
SCREW	VIS	SCHRAUBE	TORNILLO
NUT	BOULONS	NUT	DADO
NUT	BOULONS	NUT	DADO
COTTER PIN	GOUPILLE	SPLINT	COPPIGLIA
WHEEL	ROUE	RAD	RUEDA
SUPPORT	SUPPORT	STUTZE	APOYO
BRACKET	SUPPORT	BUEGEL	SOPORTE
BRACKET	SUPPORT	BUEGEL	SOPORTE
PIN	PIVOT	STIFT	PIN

**Kit micro-interruttore 3° punto (3 vers.)**

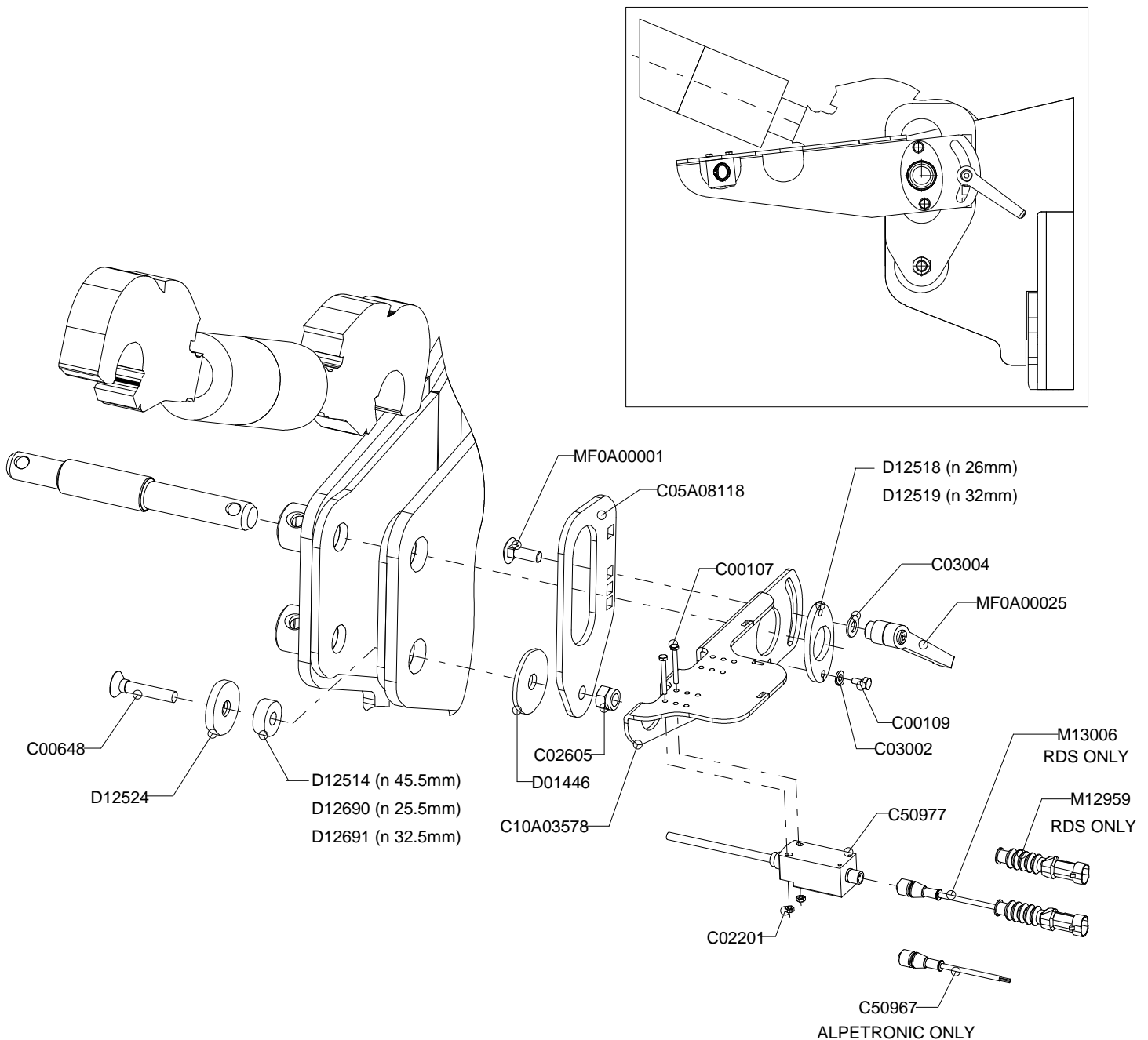
Kit micro-switch 3° pto (3 vers.)

Kit micro-contact 3° pto (3 vers.)

Kit Mikro-Schalter 3° pto (3 vers.)

Drawing Code: **100822\_2**

Accessories: TCGA00105



100822\_02



## Kit micro-interruttore 3° punto (3 vers.)

Kit micro-switch 3° pto (3 vers.)

Kit micro-contact 3° pto (3 vers.)

Kit Mikro-Schalter 3° pto (3 vers.)

Drawing Code:

**100822\_2**

Accessories:

TCGA00105

N°	Code	Old.	Descrizione / Description	GB	FR	D	E
#	M80A00094	C00107	VITE TE 88 PG FT M4X35 ZINC UNI 5739	SCREW	VIS	SCHRAUBE	TORNILLO
#	M80A00096	C00109	VITE TE 88 PG FT M6X12 ZINC UNI 5739	SCREW	VIS	SCHRAUBE	TORNILLO
#	M80A00296	C00648	VITE TSPEI 10.9 PG M12X60 UNI 5933	SCREW	VIS	SCHRAUBE	TORNILLO
#	M85A00042	C02201	DADO MEDIO 8 PG M4 UNI 5588	NUT	BOULONS	NUT	DADO
#	M85A00078	C02605	DADO AUTOBLOC ALTO 8 M12 H=14 UNI 7473	NUT	BOULONS	NUT	DADO
#	M90A00003	C03002	RONDELLA PIANA D.6,4 DIN125-A ZINC.	WASHER	RONDELLE	UNTERLEGSCHLEIBE	ARANDELLA
#	M90A00007	C03004	RONDELLA PIANA D.10,5 DIN125-A ZINC.	WASHER	RONDELLE	UNTERLEGSCHLEIBE	ARANDELLA
#	C05A08118	D16271	PIASTRA SNODO TASTATORE F.Q 10 SP 6MM	PLATE	PLAQUE	PLATTE	PLACA
#	C10A03578	D16273	STAFFA REGISTRO TAST L=220 SP4MM	BRACKET	SUPPORT	BUEGEL	SOPORTE
#	E00A00031	C50967	CAVO 5M CONNETTORE M12 DRITTO PER SENSORI	CABLE	CABLE	KABEL	CABLE
#	E10A00040	C50977	INTERRUT / FINECORSA ASTA FLESS CON CONET M12	SWITCH	INTERRUPTEUR	SCHALTER	INTERRUPTOR
#	C05A03975	D01446	RONDELLA D.60X15X4 (RICAVATA DA SFRIDI)	WASHER	RONDELLE	UNTERLEGSCHLEIBE	ARANDELLA
#	C05A07059	D12514	RONDELLA ANTIROTAZ 4? CAT D.45	WASHER	RONDELLE	UNTERLEGSCHLEIBE	ARANDELLA
#	C05A07062	D12518	PIASTRA D.26 PERNO 2? CAT SP6MM	PLATE	PLAQUE	PLATTE	PLACA
#	C05A07063	D12519	PIASTRA D.32 PERNO 3? CAT SP 6MM	PLATE	PLAQUE	PLATTE	PLACA
#	C15A00668	D12524	RONDELLA D.50 FORO D.15 SVASATO	WASHER	RONDELLE	UNTERLEGSCHLEIBE	ARANDELLA
#	C05A07114	D12690	RONDELLA ANTIROTAZ. 2? CAT D.25	WASHER	RONDELLE	UNTERLEGSCHLEIBE	ARANDELLA
#	C05A07115	D12691	RONDELLA ANTIROTAZ 3? CAT D.31	WASHER	RONDELLE	UNTERLEGSCHLEIBE	ARANDELLA
#	E00A00082	M12959	CAVO ATTIVAZIONE MICRO INT RDS	CABLE	CABLE	KABEL	CABLE
#	E00A00083	M13006	CAVO ADATT.MICRO INTER.CON CONNET M12 ALPETRONIC-RE	CABLE	CABLE	KABEL	CABLE
#	MF0A00001	C00731	BULLONE TTQDE M10X30 UNI 5732 ZINC.BIANC	BOLT	BOULON	FLANSCH	BRIDA
#	MF0A00025	C50108	MANIGLIA A RIPRESA M10	HANDLE	MANILLE	GRIFF	MANGO

**Kit valvola a 3 vie aspiratore AS3**

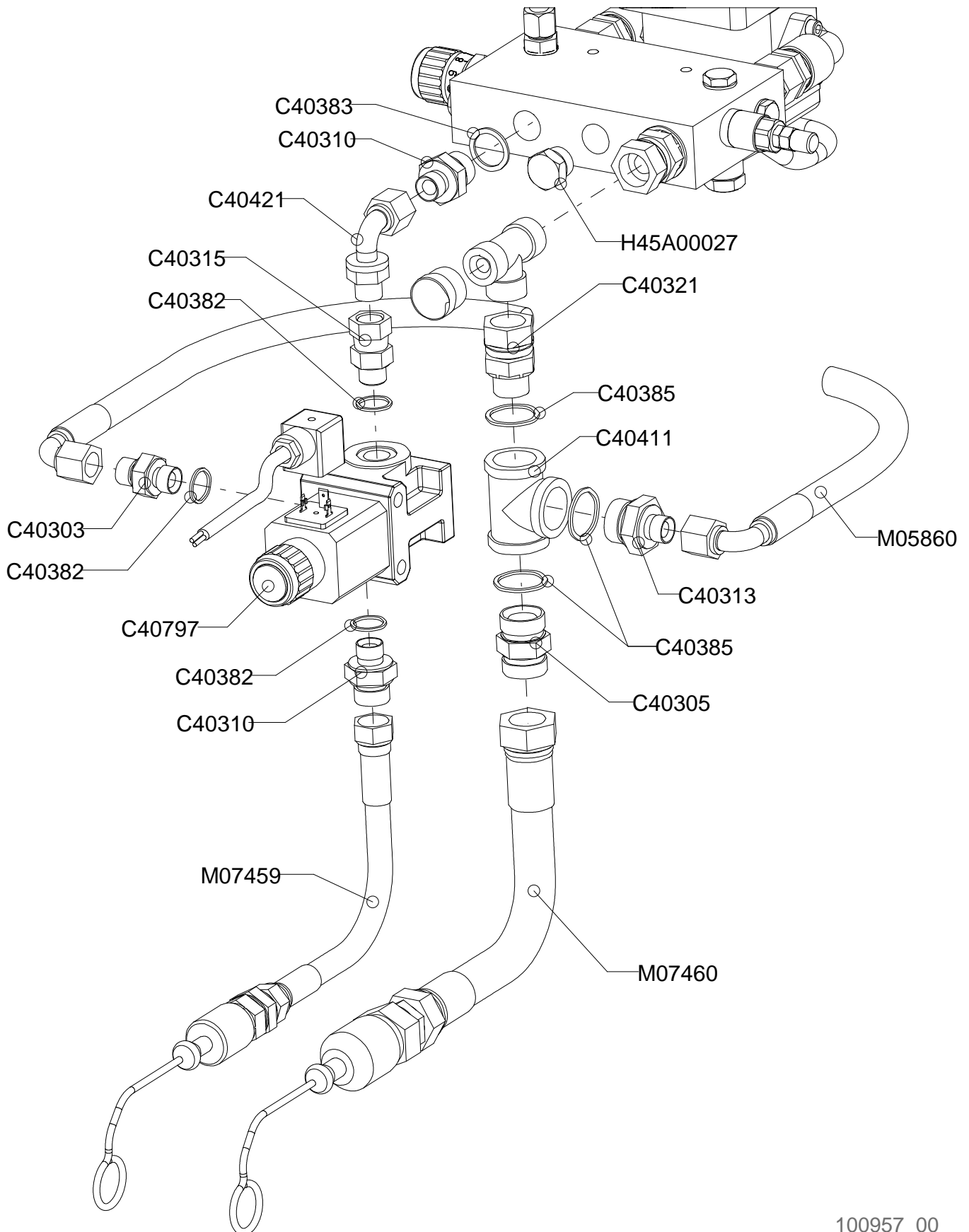
Kit valvola a 3 vie aspiratore AS3

Kit valvola a 3 vie aspiratore AS3

Kit valvola a 3 vie aspiratore AS3

Drawing Code: **100957\_0**

Accessories: SA5A00064



100957\_00





### Kit valvola a 3 vie aspiratore AS3

Kit valvola a 3 vie aspiratore AS3

Kit valvola a 3 vie aspiratore AS3

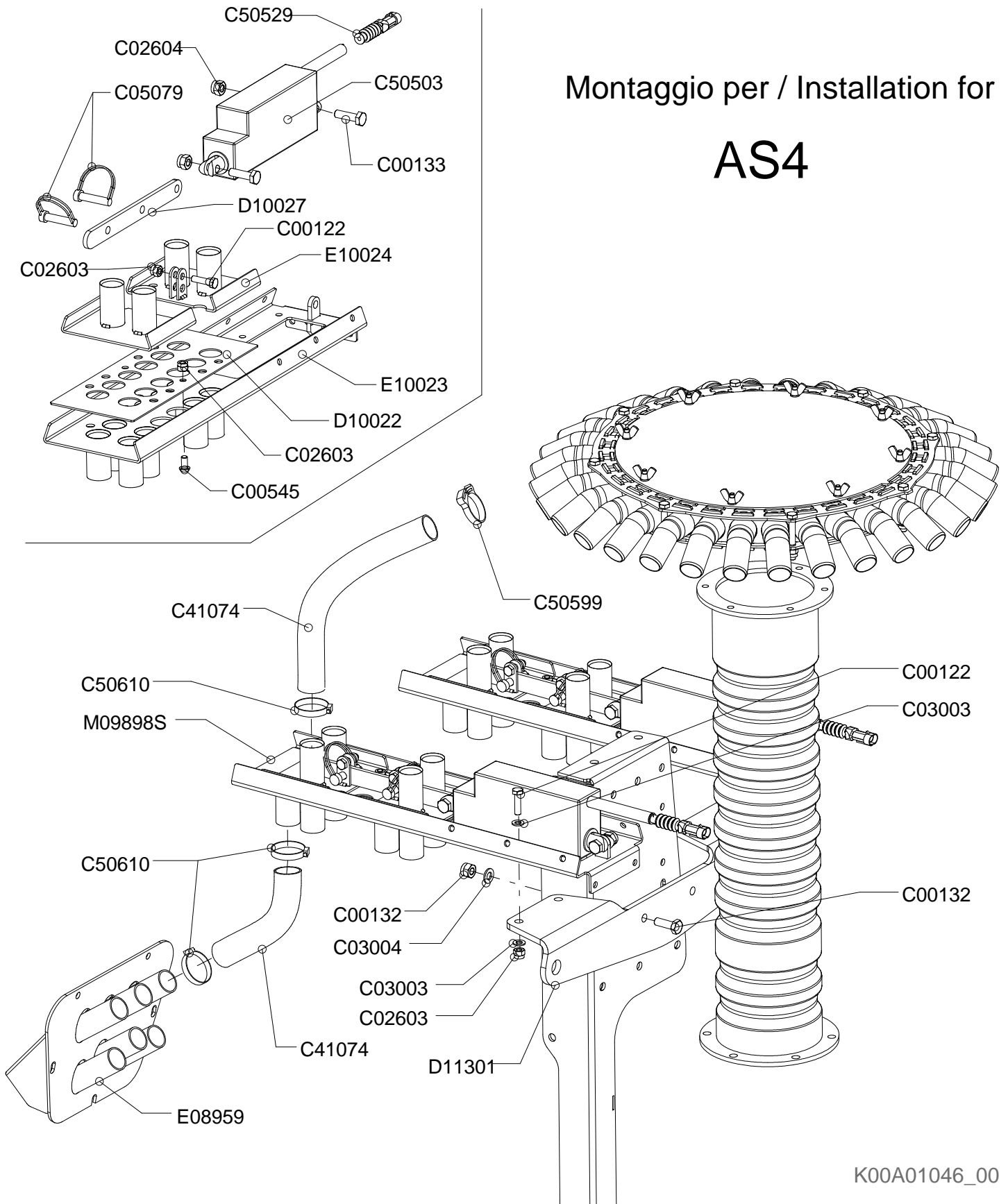
Kit valvola a 3 vie aspiratore AS3

Drawing Code: **100957\_0**

Accessories: SA5A00064

N°	Code	Old.	Descrizione / Description
#	H35A00003	C40303	NIPLES 3/8 3/8
#	H35A00005	C40305	NIPLES 3/4 3/4
#	H35A00010	C40310	NIPLES RIDUZ. 1/2 3/8
#	H35A00013	C40313	NIPLES RIDUZ. 3/4 3/8
#	H35A00015	C40315	NIPLES DI CONGIUNZIONE MF 3/8 GIREVOLE
#	H35A00021	C40321	NIPLES DI CONGIUNZIONE MF 3/4 GIREVOLE
#	H35A00042	C40382	RONDELLA RAME 3/8 D.17
#	H35A00043	C40383	RONDELLA RAME 1/2 D.21
#	H35A00045	C40385	RONDELLA RAME 3/4 D.27
#	H35A00065	C40411	"ADATTATORE ""T"" FEMMINA 3/4"
#	H35A00075	C40421	CURVA 90° MF 3/8 GIRELLO
#	H70A00047	C40797	"ELETTR.VALV DEVIAT 3 VIE 3/8"" 50Lt/min"
#	H45A00027	C41260	"TAPPO 3/4"" UNF ACCIAIO + OR"
#	H75A00044	M05860	"TUBO IDR F90°3/8""-R1A 3/8""X630-F90°3/8"""
#	H75A00057	M07459	"TUBO IDR FD1/2""-R2AT 1/2""X2400-FD1/2"""
#	H75A00058	M07460	"TUBO IDR FD3/4""-R1AT 3/4""X2400-FD3/4"""

GB	FR	D	E
NIPLES	NIPLES	NIPLES	NIPLES
NIPLES	NIPLES	NIPLES	NIPLES
NIPLES	NIPLES	NIPLES	NIPLES
NIPLES	NIPLES	NIPLES	NIPLES
NIPLES	NIPLES	NIPLES	NIPLES
NIPLES	NIPLES	NIPLES	NIPLES
WASHER	RONDELLE	UNTERLEGSCHLEIBE	ARANDELLA
WASHER	RONDELLE	UNTERLEGSCHLEIBE	ARANDELLA
WASHER	RONDELLE	UNTERLEGSCHLEIBE	ARANDELLA
ADAPTER	ADAPTATEUR	ADAPTER	ADAPTADOR
CURVE	COURBE	BOGEN	CURVO
ELETTROVALVE	ELETTROVALVE	ELEKTROVENTIL	ELETTROVALVOLA
PLUG	BOUCHON	STOEPSSEL	ENCHUFE
TUBE	TUBE	ROHR	TUBO
TUBE	TUBE	ROHR	TUBO
TUBE	TUBE	ROHR	TUBO



K00A01046\_00



## Kit doppio cassetto tramline per AS4

Kit double tramline for AS4

Kit jalonnage a doubletrappe pour AS4

Kit double tramline for AS4

Drawing Code: **K00A01046\_0**

Accessories: TCGA00103

N°	Code	Old.	Descrizione / Description	GB	FR	D	E
#	M80A00111	C00122	VITE TE 88 PG FT M8X25 ZINC UNI 5739	SCREW	VIS	SCHRAUBE	TORNILLO
#	M80A00120	C00132	VITE TE 88 PG FT M10X30 ZINC UNI 5739	SCREW	VIS	SCHRAUBE	TORNILLO
#	M80A00121	C00133	VITE TE 88 PG FT M10X35 ZINC UNI 5739	SCREW	VIS	SCHRAUBE	TORNILLO
#	M80A00267	C00545	VITE TBEI 8.8 M8X16 ISO 7380 ZINC TESTA BOMBATA	SCREW	VIS	SCHRAUBE	TORNILLO
#	M85A00075	C02603	DADO AUTOBLOC ALTO 8 M8 H=10.6 UNI 7473	NUT	BOULONS	NUT	DADO
#	M85A00077	C02604	DADO AUTOBLOC ALTO 8 M10 H=11.5 UNI 7473	NUT	BOULONS	NUT	DADO
#	M90A00005	C03003	RONDELLA PIANA D.8,4 DIN125-A ZINC.	WASHER	RONDELLE	UNTERLEGSCHLEIBE	ARANDELLA
#	M90A00007	C03004	RONDELLA PIANA D.10,5 DIN125-A ZINC.	WASHER	RONDELLE	UNTERLEGSCHLEIBE	ARANDELLA
#	MB0A00100	C05079	SPINOTTO PER MOTOZAPPA D.10X38 UTILE	PIN	GOUPILLE	STIFT	PASADOR
#	P00A00010	C41074	TUBO PU SPIRALE - BLU - D.32 INT.	TUBE	TUBE	ROHR	TUBO
#	E05A00002	C50503	ATTUATORE LA12 700N CORSA 40 IP66 12V	ACTUATOR	ACTIONNEUR	TRIEB	ACTUADOR
#	E15A00014	C50529	CONNETTORE F. CONTATTI M. 2 POLI COMPL. AMP SUPERS	CONNECTOR	CONNECTEUR	VERBINDER	CONECTOR
#	MH5A00009	C50599	FASCETTE PVC 2?FILA DI DENTI 34.3 - 37.9	CLIP	RIVELSAN	BAND	BANDAS
#	MH5A00020	C50610	FASCETTA STRINGITUBO D 25-45 X 8.5 ZINC.	CLIP	RIVELSAN	BAND	BANDAS
#	G05A00009	D10022	LARDONE NYLON 2MM CASSETTO TRAM-LINE	-	-	-	-
#	C05A06387	D10027	ASTA TRAM-LINE 24X6X194 3 FORI 10.3	ROD	POLE	STIFT	POLOS
#	C10A02674	D11301	STAFFA SUPPORTO DOPPIO TRAMLINE	BRACKET	SUPPORT	BUEGEL	SOPORTE
#	C20A01550	E08959	COLLETORE RECUPERO SEME AS1 6 FILE	MANIFOLD	COLLECTEUR	SAMMELROHR	COLECCIONISMO
#	C20A01712	E10023	CASSETTO FISSO TRAM-LINE	BOX	BOITE	KASTEN	CAJITA
#	C20A01713	E10024	CASSETTO MOBILE TRAM-LINE	BOX	BOITE	KASTEN	CAJITA
#	M79A00121	M09898S	TRAM-LINE AS1/AS2 CASSETTO RDS	TRAM-LINE	TRAM-LINE	TRAM-LINE	TRAM-LINE